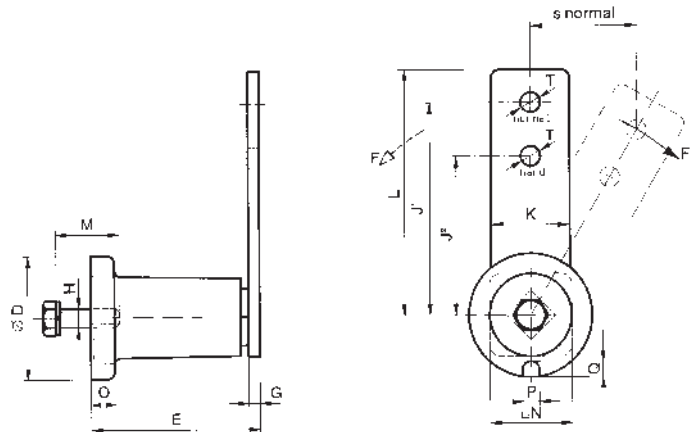
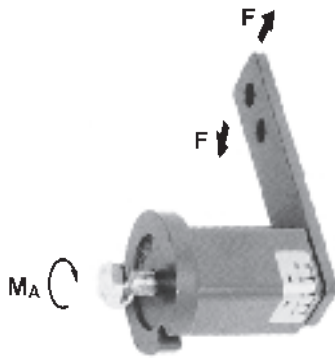




Tensioner Device

Type SE/SE-G/SE-W

Standard Mounting



Technical Data

Art. No.	Type**	F max.* in N of position normal (J ¹)	s max. in mm normal	Torque M _A in Nm	Weight in kg
06011001	SE 11 (Standard)	80	40	10	0.20
06013201	SE 11-G	80	40	10	0.20
06011002	SE 15 (Standard)	135	50	25	0.40
06013202	SE 15-G	135	50	25	0.40
06015002	SE 15-W	81	50	25	0.40
06011003	SE 18 (Standard)	350	50	49	0.60
06013203	SE 18-G	350	50	49	0.60
06015003	SE 18-W	210	50	49	0.60
06011004	SE 27 (Standard)	800	65	86	1.70
06013204	SE 27-G	800	65	86	1.70
06015004	SE 27-W	480	65	86	1.70
06011005	SE 38 (Standard)	1500	87.5	210	3.55
06013205	SE 38-G	1500	87.5	210	3.55
06015005	SE 38-W	900	87.5	210	3.55
06011006	SE 45 (Standard)	2600	112.5	410	6.40
06013206	SE 45-G	2600	112.5	410	6.40
06015006	SE 45-W	1560	112.5	410	6.40
06011007	SE 50 (Standard)	4200	125	750	9.00
06013207	SE 50-G	4200	125	750	9.00
06015007	SE 50-W	2520	125	750	9.00

* F max. in position "hard" approx. 25% higher

Dimensions

Art. No.	Type**	D	E	G	H	J ¹	J ²	K	L	M	N	O	P	Q	T
06011001	SE 11	35	51 ⁺¹ _{-0.5}	5	M6	80	60	20	90	20	22	6	8	5	8.5
06013201	SE 11-G														
06011002	SE 15	45	64 ⁺¹ _{-0.5}	5	M8	100	80	25	112.5	25	30	8	8.5	6	10.5
06013202	SE 15-G														
06015002	SE 15-W														
06011003	SE 18	58	79 ^{+1.5} _{-0.5}	7	M10	100	80	30	115	30	35	10.5	8.5	8	10.5
06013203	SE 18-G														
06015003	SE 18-W														
06011004	SE 27	78	108 ⁺² _{-0.5}	8	M12	130	100	50	155	40	52	15	10.5	10	12.5
06013204	SE 27-G														
06015004	SE 27-W														
06011005	SE 38	95	140 ⁺² _{-0.5}	10	M16	175	140	60	205	40	66	15	12.5	12	20.5
06013205	SE 38-G														
06015005	SE 38-W														
06011006	SE 45	115	200 ⁺³	12	M20	225	180	70	260	50	80	18	12.5	12	20.5
06013206	SE 45-G														
06015006	SE 45-W														
06011007	SE 50	130	210 ⁺³	20	M24	250	200	80	290	60	78	20	17	17	20.5
06013207	SE 50-G														
06015007	SE 50-W														

** Type SE: Standard quality – Surface painted
 Type SE-G: Oil resistant – Surface zinc-plated (with yellow mark)
 Type SE-W: Heat resistant – Surface painted (with red mark)