



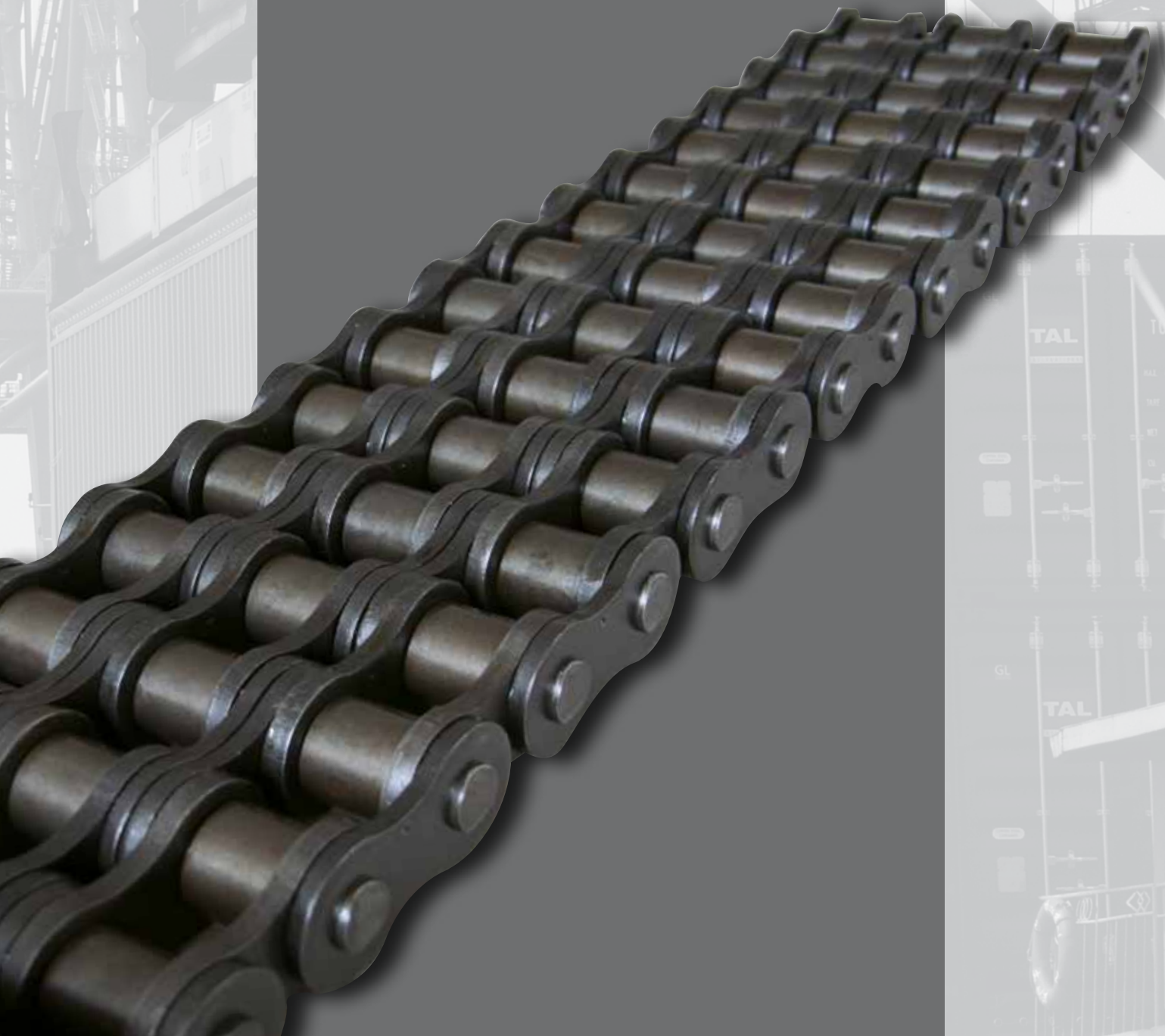
KÖBO-DONGHUA

The Chain People





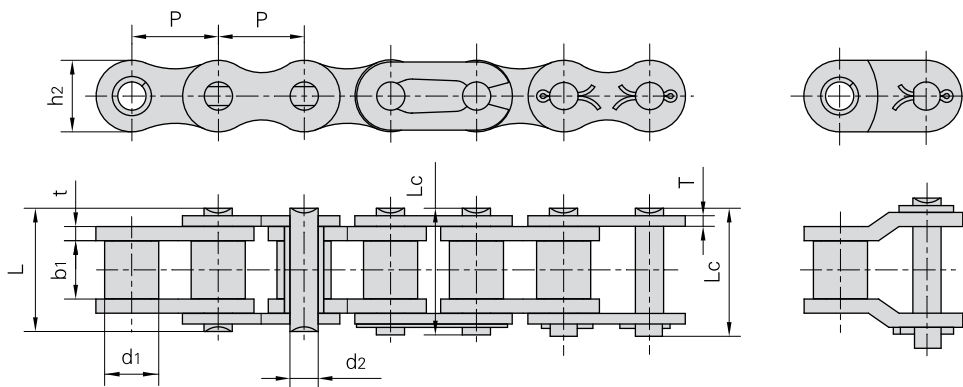
Antriebsketten
Driving chains
Chaînes d'entraînement



Hochleistungsrollenketten (B Serie)

Precision roller chains (B series)

Chaînes à rouleaux de précision (Série B)

 Simplex roller chains
 Einfach-Rollenketten


DIN/ISO Chain No. DIN/ISO Ketten Nr.	Pitch	Roller diameter	Width between inner plates	Pin diameter	Pin length		Inner plate depth	Plate thickness	Ultimate tensile strength	Average tensile strength	Weight per meter
	Teilung	Rollen- durch- messer	Innere Breite	Bolzen- durch- messer	Bolzen- länge		Innen- laschen- höhe	Laschen- dicke	Min. Bruchkraft	Durchschn. Bruchkraft	Gewicht
	P	d1 max	b1 min	d2 max	L max	Lc max	h2 max	t/T max	Q min	Q0	q
	mm	mm	mm	mm	mm	mm	mm	mm	kN/LB	kN	kg/m
04B-1	6.000	4.00	2.80	1.85	6.80	7.8	5.00	0.60	3.0/682	3.2	0.11
05B-1	8.000	5.00	3.00	2.31	8.20	8.9	7.10	0.80	5.0/1136	5.9	0.20
*06B-1	9.525	6.35	5.72	3.28	13.15	14.1	8.20	1.30	9.0/2045	10.4	0.41
08B-1	12.700	8.51	7.75	4.45	16.70	18.2	11.80	1.60	18.0/4091	19.4	0.69
10B-1	15.875	10.16	9.65	5.08	19.50	20.9	14.70	1.70	22.4/5091	27.5	0.93
12B-1	19.050	12.07	11.68	5.72	22.50	24.2	16.00	1.85	29.0/6591	32.2	1.15
16B-1	25.400	15.88	17.02	8.28	36.10	37.4	21.00	4.15/3.1	60.0/13636	72.8	2.71
20B-1	31.750	19.05	19.56	10.19	41.30	45.0	26.40	4.5/3.5	95.0/21591	106.7	3.70
24B-1	38.100	25.40	25.40	14.63	53.40	57.8	33.20	6.0/4.8	160.0/36364	178.0	7.10
28B-1	44.450	27.94	30.99	15.90	65.10	69.5	36.70	7.5/6.0	200.0/45455	222.0	8.50
32B-1	50.800	29.21	30.99	17.81	66.00	71.0	42.00	7.0/6.0	250.0/56818	277.5	10.25
40B-1	63.500	39.37	38.10	22.89	82.20	89.2	52.96	8.5/8.0	355.0/80682	394.0	16.35
48B-1	76.200	48.26	45.72	29.24	99.10	107.0	63.80	12.0/10.0	560.0/127272	621.6	25.00
56B-1	88.900	53.98	53.34	34.32	114.6	123.0	77.80	13.5/12.0	850.0/193180	940.0	35.78
64B-1	101.600	63.50	60.96	39.40	130.0	138.5	90.17	15.0/13.0	112.0/254544	1240.0	46.00
72B-1	114.300	72.39	68.58	44.48	147.4	156.4	103.60	17.0/15.0	1400.0/318180	1550.0	60.80

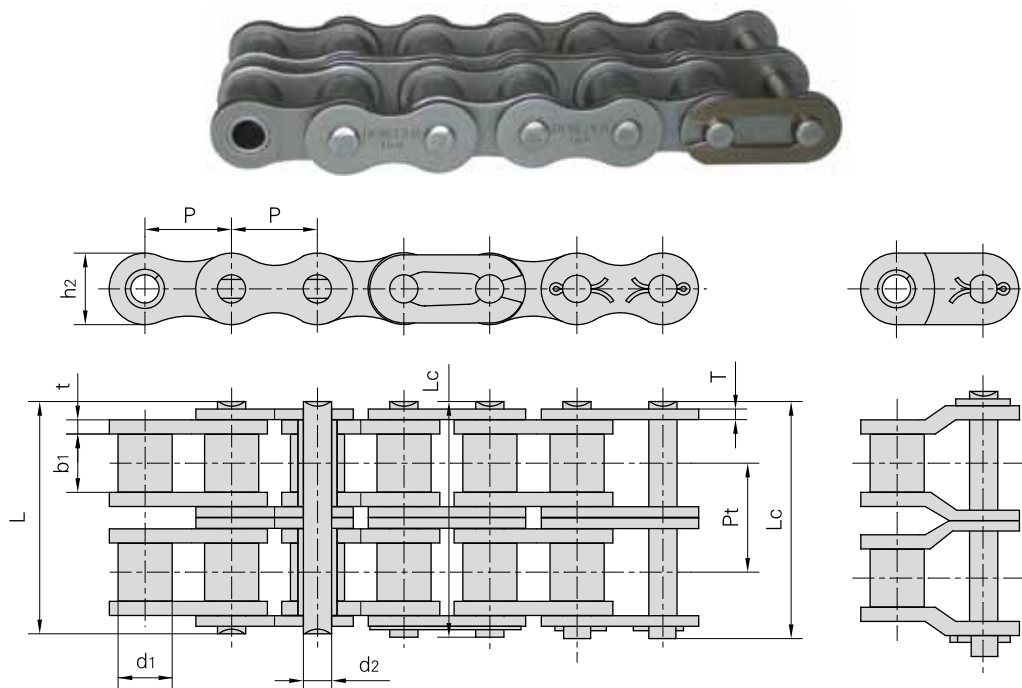
 *Straight side plates
 *Gerade Laschen

Hochleistungsrollenketten (B Serie)

Precision roller chains (B series)

Chaînes à rouleaux de précision (Série B)

Duplex roller chains
 Zweifach-Rollenketten



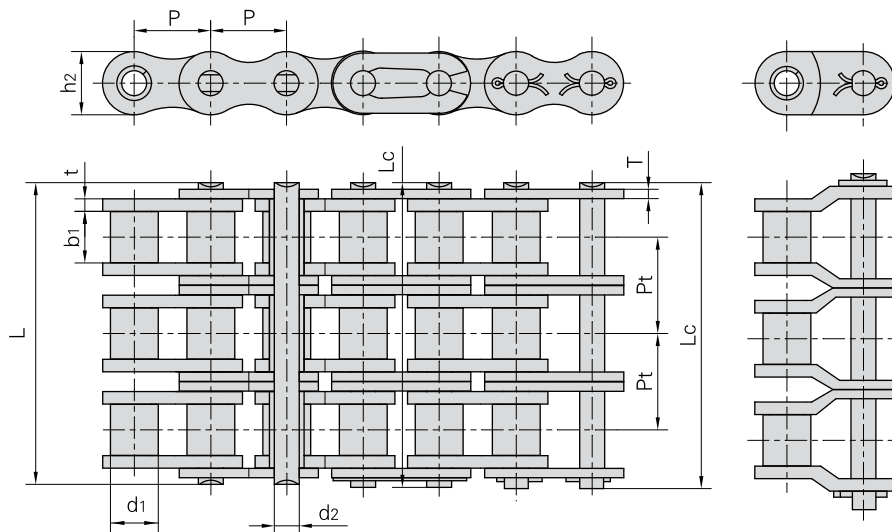
DIN/ISO Chain No.	Pitch	Roller diameter	Width between inner plates	Pin diameter	Pin length		Inner plate depth	Plate thickness	Transverse pitch	Ultimate tensile strength	Average tensile strength	Weight per meter
	Teilung	Rollen- durch- messer	Innere Breite	Bolzen- durch- messer	L	Lc	Innen- laschen- höhe	Laschen- dicke	Mitten- abstand	Min. Bruchkraft	Durchschn. Bruchkraft	Gewicht
	P	d1 max	b1 min	d2 max	L max	Lc max	h2 max	t/T max	Pt	Q min	Q0	q
	mm	mm	mm	mm	mm	mm	mm	mm	mm	kN/LB	kN	kg/m
05B-2	8.000	5.00	3.00	2.31	13.9	14.5	7.10	0.80	5.64	7.8/1773	10.2	0.33
*06B-2	9.525	6.35	5.72	3.28	23.4	24.4	8.20	1.30	10.24	16.9/3841	18.7	0.77
08B-2	12.700	8.51	7.75	4.45	31.0	32.2	11.80	1.60	13.92	32.0/7273	38.7	1.34
10B-2	15.875	10.16	9.65	5.08	36.1	37.5	14.70	1.70	16.59	44.5/10114	56.2	1.84
12B-2	19.050	12.07	11.68	5.72	42.0	43.6	16.00	1.85	19.46	57.8/13136	66.1	2.31
16B-2	25.400	15.88	17.02	8.28	68.0	69.3	21.00	4.15/3.1	31.88	106.0/24091	133.0	5.42
20B-2	31.750	19.05	19.56	10.19	77.8	81.5	26.40	4.5/3.5	36.45	170.0/38636	211.2	7.20
24B-2	38.100	25.40	25.40	14.63	101.7	106.2	33.20	6.0/4.8	48.36	280.0/63636	319.2	13.40
28B-2	44.450	27.94	30.99	15.90	124.6	129.1	36.70	7.5/6.0	59.56	360.0/81818	406.8	16.60
32B-2	50.800	29.21	30.99	17.81	124.6	129.6	42.00	7.0/6.0	58.55	450.0/102273	508.5	21.00
40B-2	63.500	39.37	38.10	22.89	154.5	161.5	52.96	8.5/8.0	72.29	630.0/143182	711.9	32.00
48B-2	76.200	48.26	45.72	29.24	190.4	198.2	63.80	12.0/10.0	91.21	1000.0/227272	1130.0	50.00
56B-2	88.900	53.98	53.34	34.32	221.2	229.6	77.80	13.5/12.0	106.60	1600.0/363635	1760.0	71.48
64B-2	101.600	63.50	60.96	39.40	249.9	258.4	90.17	15.0/13.0	119.89	2000.0/454544	2200.0	91.00
72B-2	114.300	72.39	68.58	44.48	283.7	292.7	103.60	17.0/15.0	136.27	2500.0/568180	2750.0	120.40

*Straight side plates
 *Gerade Laschen

Hochleistungsrollenketten (B Serie)

Precision roller chains (B series)

Chaînes à rouleaux de précision (Série B)

 Triplex roller chains
 Dreifach-Rollenketten


DIN/ISO Chain No.	Pitch	Roller diameter	Width between inner plates	Pin diameter	Pin length		Inner plate depth	Plate thickness	Transverse pitch	Ultimate tensile strength	Average tensile strength	Weight per meter
	<i>Teilung</i>	<i>Rollen- durch- messer</i>	<i>Innere Breite</i>	<i>Bolzen- durch- messer</i>	<i>Bolzen- länge</i>	<i>Lc</i>	<i>Innen- laschen- höhe</i>	<i>Laschen- dicke</i>	<i>Mitten- abstand</i>	<i>Min. Bruchkraft</i>	<i>Durchschn. BruchKraft</i>	<i>Gewicht</i>
	P	d1 max	b1 min	d2 max	L max	Lc max	h2 max	t/T max	Pt	Q min	Q0	q
	mm	mm	mm	mm	mm	mm	mm	mm	mm	kN/LB	kN	kg/m
05B-3	8.000	5.00	3.00	2.31	19.5	20.2	7.10	0.80	5.64	11.1/2523	13.8	0.48
*06B-3	9.525	6.35	5.72	3.28	33.5	34.6	8.20	1.30	10.24	24.9/5659	30.1	1.16
08B-3	12.700	8.51	7.75	4.45	45.1	46.1	11.80	1.60	13.92	47.5/10795	57.8	2.03
10B-3	15.875	10.16	9.65	5.08	52.7	54.1	14.70	1.70	16.59	66.7/15159	84.5	2.77
12B-3	19.050	12.07	11.68	5.72	61.5	63.1	16.00	1.85	19.46	86.7/19705	101.8	3.46
16B-3	25.400	15.88	17.02	8.28	99.8	101.2	21.00	4.15/3.1	31.88	160.0/36364	203.7	8.13
20B-3	31.750	19.05	19.56	10.19	114.2	117.9	26.40	4.5/3.5	36.45	250.0/56818	290.0	10.82
24B-3	38.100	25.40	25.40	14.63	150.1	154.6	33.20	6.0/4.8	48.36	425.0/96591	493.0	20.10
28B-3	44.450	27.94	30.99	15.90	184.2	188.7	36.70	7.5/6.0	59.56	530.0/120454	609.5	24.92
32B-3	50.800	29.21	30.99	17.81	183.2	188.2	42.00	7.0/6.0	58.55	670.0/152273	770.5	31.56
40B-3	63.500	39.37	38.10	22.89	226.8	233.8	52.96	8.5/8.0	72.29	950.0/215909	1092.5	48.10
48B-3	76.200	48.26	45.72	29.24	281.6	289.4	63.80	12.0/10.0	91.21	1500.0/340909	1710.0	75.00
56B-3	88.900	53.98	53.34	34.32	327.8	336.2	77.80	13.5/12.0	106.6	2240.0/545450	2240.0	107.18
64B-3	101.60	63.50	60.96	39.40	369.8	378.3	90.17	15.0/13.0	119.89	3000.0/681820	3300.0	136.00
72B-3	114.30	72.39	68.58	44.48	420.0	429.0	103.60	17.0/15.0	136.27	3750.0/852270	4125.0	180.00

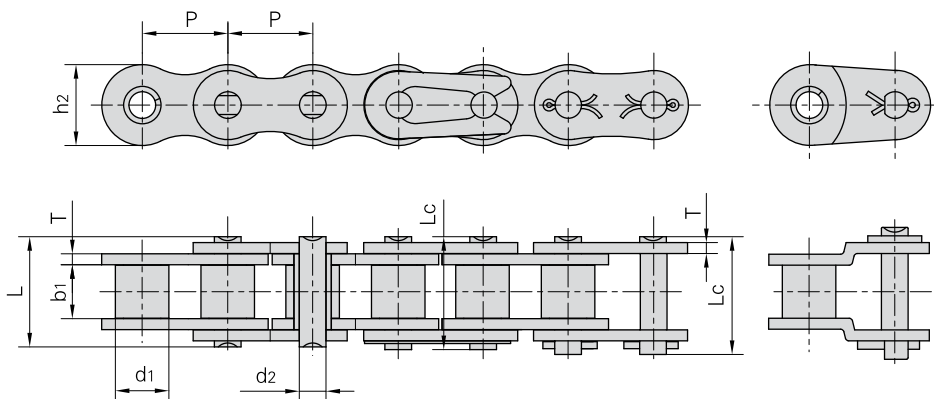
 *Straight side plates
 *Gerade Laschen

Hochleistungsrollenketten (A Serie)

Precision roller chains (A series)

Chaînes à rouleaux de précision (Série A)

Simplex roller chains & bushing chains
 Einfach-Rollenketten & Buchsenketten



DIN/ISO Chain No.	ANSI Chain No.	Pitch <i>Teilung</i>	Roller diameter <i>Rollen-durch-messer</i>	Width between inner plates <i>Innere Breite</i>	Pin diameter <i>Bolzen-durch-messer</i>	Pin length <i>Bolzen-länge</i>		Inner plate depth <i>Innen-laschen-höhe</i>	Plate thickness <i>Laschen-dicke</i>	Ultimate tensile strength <i>Min. Bruchkraft</i>	Average tensile strength <i>Durchschn. Bruchkraft</i>	Weight per meter <i>Gewicht</i>
<i>DIN/ISO Ketten Nr.</i>	<i>ANSI Ketten Nr.</i>	P	d1 max	b1 min	d2 max	L max	Lc max	h2 max	T max	Q min	Q0	q
		mm	mm	mm	mm	mm	mm	mm	mm	kN/LB	kN	kg/m
*03C	*15	4.7625	2.48	2.38	1.62	6.10	6.90	4.30	0.60	1.80/409	2.0	0.08
*04C-1	*25	6.350	3.30	3.18	2.31	7.90	8.40	6.00	0.80	3.50/795	4.6	0.15
*06C-1	*35	9.525	5.08	4.77	3.58	12.40	13.17	9.00	1.30	7.90/1795	10.8	0.33
085-1	41	12.700	7.77	6.25	3.58	13.75	15.00	9.91	1.30	6.67/1516	12.6	0.41
08A-1	40	12.700	7.95	7.85	3.96	16.60	17.80	12.00	1.50	14.10/3205	17.5	0.62
10A-1	50	15.875	10.16	9.40	5.08	20.70	22.20	15.09	2.03	22.20/5045	29.4	1.02
12A-1	60	19.050	11.91	12.57	5.94	25.90	27.70	18.00	2.42	31.80/7227	41.5	1.50
16A-1	80	25.400	15.88	15.75	7.92	32.70	35.00	24.00	3.25	56.70/12886	69.4	2.60
20A-1	100	31.750	19.05	18.90	9.53	40.40	44.70	30.00	4.00	88.50/20114	109.2	3.91
24A-1	120	38.100	22.23	25.22	11.10	50.30	54.30	35.70	4.80	127.00/28864	156.3	5.62
28A-1	140	44.450	25.40	25.22	12.70	54.40	59.00	41.00	5.60	172.40/39182	212.0	7.50
32A-1	160	50.800	28.58	31.55	14.27	64.80	69.60	47.80	6.40	226.80/51545	278.9	10.10
36A-1	180	57.150	35.71	35.48	17.46	72.80	78.60	53.60	7.20	280.20/63682	341.8	13.45
40A-1	200	63.500	39.68	37.85	19.85	80.30	87.20	60.00	8.00	353.80/80409	431.6	16.15
48A-1	240	76.200	47.63	47.35	23.81	95.50	103.00	72.39	9.50	510.30/115977	622.5	23.20

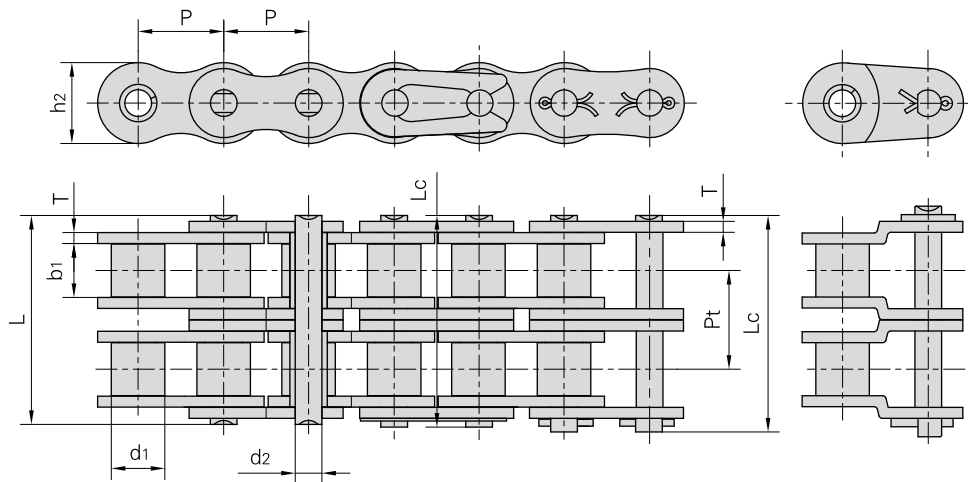
*Bushing chain: d1 in the table indicate the external diameter of the bushing.

*Buchsenketten: In dieser Tabelle zeigt d1 den Außendurchmesser der Buchsen.

Hochleistungsrollenketten (A Serie)

Precision roller chains (A series)

Chaînes à rouleaux de précision (Série A)

 Duplex roller chains & bushing chains
 Zweifach-Rollenketten & Buchsenketten


DIN/ISO Chain No.	ANSI Chain No.	Pitch	Roller diameter	Width between inner plates	Pin diameter	Pin length		Inner plate depth	Plate thickness	Transverse pitch	Ultimate tensile strength	Average tensile strength	Weight per meter
DIN/ISO Ketten Nr.	ANSI Ketten Nr.	Teilung	Rollen-durchmesser	Innere Breite	Bolzen-durchmesser	Bolzen-länge		Innen-laschen-höhe	Laschen-dicke	Mitten-abstand	Min. Bruchkraft	Durchschn. Bruchkraft	Gewicht
		P	d1 max	b1 min	d2 max	L max	Lc max	h2 max	T max	Pt	Q min	Q0	q
		mm	mm	mm	mm	mm	mm	mm	mm	mm	kN/LB	kN	kg/m
*04C-2	*25-2	6.350	3.30	3.18	2.31	14.5	15.0	6.00	0.80	6.40	7.00/1591	8.6	0.28
*06C-2	*35-2	9.525	5.08	4.77	3.58	22.5	23.3	9.00	1.30	10.13	15.80/3591	19.7	0.63
085-2	41-2	12.700	7.77	6.25	3.58	25.7	26.9	9.91	1.30	11.95	13.34/3032	16.9	0.81
08A-2	40-2	12.700	7.95	7.85	3.96	31.0	32.2	12.00	1.50	14.38	28.20/6409	35.9	1.12
10A-2	50-2	15.875	10.16	9.40	5.08	38.9	40.4	15.09	2.03	18.11	44.40/10091	58.1	2.00
12A-2	60-2	19.050	11.91	12.57	5.94	48.8	50.5	18.00	2.42	22.78	63.60/14455	82.1	2.92
16A-2	80-2	25.400	15.88	15.75	7.92	62.7	64.3	24.00	3.25	29.29	113.40/25773	141.8	5.15
20A-2	100-2	31.750	19.05	18.90	9.53	76.4	80.5	30.00	4.00	35.76	177.00/40227	219.4	7.80
24A-2	120-2	38.100	22.23	25.22	11.10	95.8	99.7	35.70	4.80	45.44	254.00/57727	314.9	11.70
28A-2	140-2	44.450	25.40	25.22	12.70	103.3	107.9	41.00	5.60	48.87	344.80/78364	427.5	15.14
32A-2	160-2	50.800	28.58	31.55	14.27	123.3	128.1	47.80	6.40	58.55	453.60/103091	562.4	20.14
36A-2	180-2	57.150	35.71	35.48	17.46	138.6	144.4	53.60	7.20	65.84	560.50/127386	695.0	29.22
40A-2	200-2	63.500	39.68	37.85	19.85	151.9	158.8	60.00	8.00	71.55	707.60/160818	877.4	32.24
48A-2	240-2	76.200	47.63	47.35	23.81	183.4	190.8	72.39	9.50	87.83	1020.60/213955	1255.3	45.23

*Bushing chain: d1 in the table indicate the external diameter of the bushing.

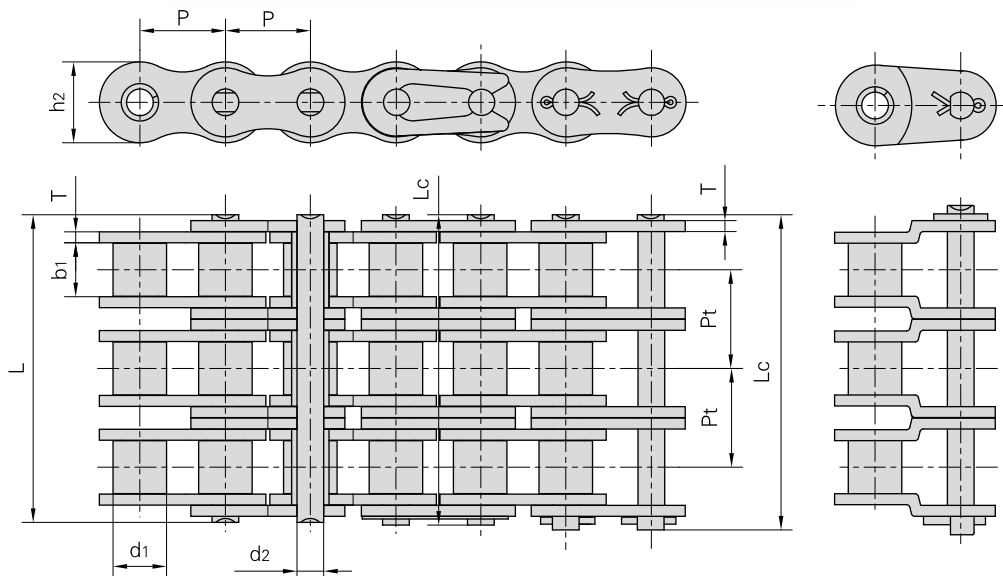
*Buchsenketten: In dieser Tabelle zeigt d1 den Außendurchmesser der Buchsen.

Hochleistungsrollenketten (A Serie)

Precision roller chains (A series)

Chaînes à rouleaux de précision (Série A)

Triplex roller chains & bushing chains
 Dreifach-Rollenketten & Buchsenketten



DIN/ISO Chain No.	ANSI Chain No.	Pitch <i>Teilung</i>	Roller diameter <i>Rollen-durchmesser</i>	Width between inner plates <i>Innere Breite</i>	Pin diameter <i>Bolzen-durchmesser</i>	Pin length <i>Bolzen-länge</i>		Inner plate depth <i>Innen-laschen-höhe</i>	Plate thickness <i>Laschen-dicke</i>	Transverse pitch <i>Mitten-abstand</i>	Ultimate tensile strength <i>Min. Bruchkraft</i>	Average tensile strength <i>Durchschn. Bruchkraft</i>	Weight per meter <i>Gewicht</i>
<i>DIN/ISO Ketten Nr.</i>	<i>ANSI Ketten Nr.</i>	P	d1 max	b1 min	d2 max	L max	Lc max	h2 max	T max	Pt	Q min	Q0	q
		mm	mm	mm	mm	mm	mm	mm	mm	mm	kN/LB	kN	kg/m
*04C-3	*25-3	6.350	3.30	3.18	2.31	21.0	21.5	6.00	0.80	6.40	10.5/2386	12.6	0.44
*06C-3	*35-3	9.525	5.08	4.77	3.58	32.7	33.5	9.00	1.30	10.13	23.7/5386	28.6	1.05
08A-3	40-3	12.700	7.95	7.85	3.96	45.4	46.6	12.00	1.50	14.38	42.3/9614	50.0	1.90
10A-3	50-3	15.875	10.16	9.40	5.08	57.0	58.5	15.09	2.03	18.11	66.6/15136	77.8	3.09
12A-3	60-3	19.050	11.91	12.57	5.94	71.5	73.3	18.00	2.42	22.78	95.4/21682	111.1	4.54
16A-3	80-3	25.400	15.88	15.75	7.92	91.7	93.6	24.00	3.25	29.29	170.1/38659	198.4	7.89
20A-3	100-3	31.750	19.05	18.90	9.53	112.2	116.3	30.00	4.00	35.76	265.5/60341	309.6	11.77
24A-3	120-3	38.100	22.23	25.22	11.10	141.4	145.2	35.70	4.80	45.44	381.0/86591	437.2	17.53
28A-3	140-3	44.450	25.40	25.22	12.70	152.2	156.8	41.00	5.60	48.87	517.2/117545	593.3	22.20
32A-3	160-3	50.800	28.58	31.55	14.27	181.8	186.6	47.80	6.40	58.55	680.4/154636	780.6	30.02
36A-3	180-3	57.150	35.71	35.48	17.46	204.4	210.2	53.60	7.20	65.84	840.7/191068	983.6	38.22
40A-3	200-3	63.500	39.68	37.85	19.85	223.5	230.4	60.00	8.00	71.55	1061.4/241227	1217.8	49.03
48A-3	240-3	76.200	47.63	47.35	23.81	271.3	278.6	72.39	9.50	87.83	1530.9/347932	1756.5	71.60

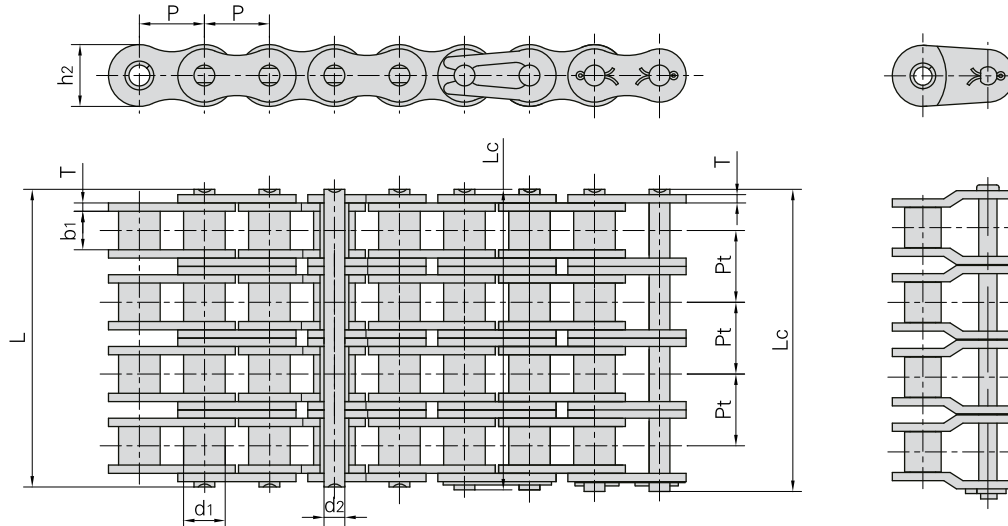
*Bushing chain: d1 in the table indicate the external diameter of the bushing.
 *Buchsenketten: In dieser Tabelle zeigt d1 den Außendurchmesser der Buchsen.

Hochleistungsrollenketten (A Serie)

Precision roller chains (A series)

Chaînes à rouleaux de précision (Série A)

Multiple strand roller chains
 Mehrfach-Rollenketten

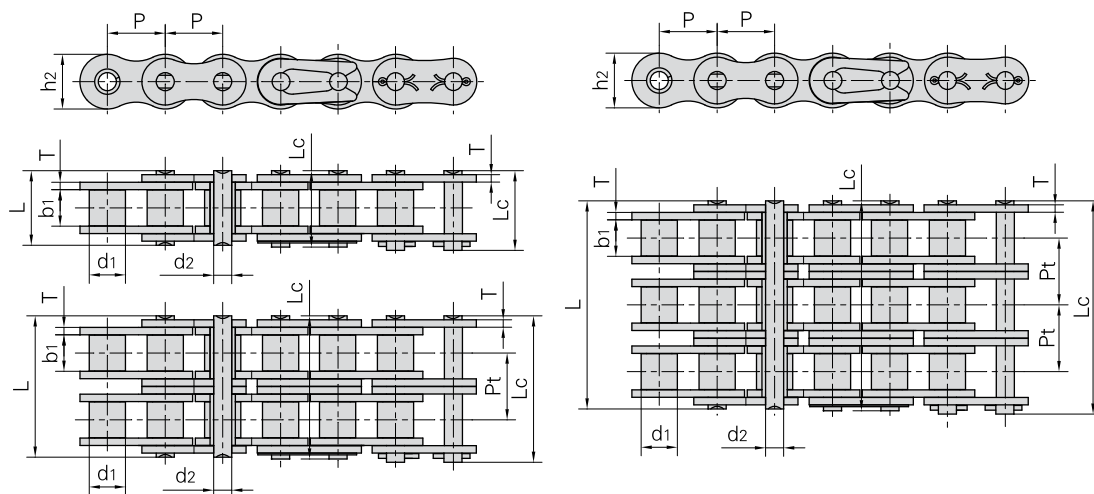


Donghua Chain No.	ANSI Chain No.	Pitch <i>Teilung</i>	Roller diameter	Width between inner plates	Pin diameter	Pin length		Inner plate depth	Plate thickness	Transverse pitch	Ultimate tensile strength	Average tensile strength	Weight per meter <i>Gewicht</i>
			<i>Rollen-durchmesser</i>	<i>Innere Breite</i>	<i>Bolzen-durchmesser</i>	<i>Bolzen-länge</i>	<i>Innen-laschen-höhe</i>	<i>Laschen-dicke</i>	<i>Mitten-abstand</i>	<i>Min. Bruchkraft</i>	<i>Durchschn. Bruchkraft</i>		
<i>Donghua Ketten Nr.</i>	<i>ANSI Ketten Nr.</i>	P	d1 max	b1 min	d2 max	L max	Lc max	h2 max	T max	Pt	Q min	Q0	q
		mm	mm	mm	mm	mm	mm	mm	mm	mm	kN/LB	kN	kg/m
08A-4	40-4	12.700	7.95	7.85	3.96	59.8	61.0	12.00	1.50	14.38	56.4/12687	62.04	2.57
10A-4	50-4	15.875	10.16	9.40	5.08	75.1	76.6	15.09	2.03	18.11	88.8/19976	97.68	4.30
12A-4	60-4	19.050	11.91	12.57	5.94	94.4	96.1	18.00	2.42	22.78	127.2/28614	139.92	6.21
16A-4	80-4	25.400	15.88	15.75	7.92	121.0	124.4	24.00	3.25	29.29	226.8/51020	249.48	10.37
20A-4	100-4	31.750	19.05	18.90	9.53	147.8	152.1	30.00	4.00	35.76	354/79635	389.40	15.60
24A-4	120-4	38.100	22.23	25.22	11.10	187.0	190.8	35.70	4.80	45.44	508/114278	558.80	23.56
08A-5	40-5	12.700	7.95	7.85	3.96	74.2	75.4	12.00	1.50	14.38	70.5/15859	77.55	3.19
10A-5	50-5	15.875	10.16	9.40	5.08	93.2	94.7	15.09	2.03	18.11	111/24970	122.10	5.37
12A-5	60-5	19.050	11.91	12.57	5.94	117.0	118.8	18.00	2.42	22.78	159/35768	174.90	7.75
16A-5	80-5	25.400	15.88	15.75	7.92	149.9	153.7	24.00	3.25	29.29	283.5/63775	311.85	12.96
20A-5	100-5	31.750	19.05	18.90	9.53	183.6	187.9	30.00	4.00	35.76	442.5/99543	486.75	19.46
24A-5	120-5	38.100	22.23	25.22	11.10	232.3	236.1	35.70	4.80	45.44	635/142848	698.50	29.40
08A-6	40-6	12.700	7.95	7.85	3.96	88.5	89.8	12.00	1.50	14.38	84.6/19031	93.06	3.83
10A-6	50-6	15.875	10.16	9.40	5.08	111.3	112.8	15.09	2.03	18.11	133.2/29964	146.52	6.43
12A-6	60-6	19.050	11.91	12.57	5.94	139.8	141.8	18.00	2.42	22.78	190.8/42921	209.80	9.31
16A-6	80-6	25.400	15.88	15.75	7.92	179.2	183.0	24.00	3.25	29.29	340.2/76530	374.22	15.50
20A-6	100-6	31.750	19.05	18.90	9.53	219.4	223.7	30.00	4.00	35.76	531/119452	584.10	23.36
24A-6	120-6	38.100	22.23	25.22	11.10	278.0	282.0	35.70	4.80	45.44	762/171417	838.20	35.30
08A-8	40-8	12.700	7.95	7.85	3.96	117.3	118.5	12.00	1.50	14.38	112.8/25375	124.08	5.11
10A-8	50-8	15.875	10.16	9.40	5.08	147.5	149.0	15.09	2.03	18.11	177.6/39952	195.36	8.59
12A-8	60-8	19.050	11.91	12.57	5.94	185.8	187.6	18.00	2.42	22.78	254.4/57229	279.84	12.37
16A-8	80-8	25.400	15.88	15.75	7.92	237.8	241.6	24.00	3.25	29.29	453.6/102040	498.96	20.67
20A-8	100-8	31.750	19.05	18.90	9.53	290.8	295.1	30.00	4.00	35.76	708/159270	778.80	31.14
24A-8	120-8	38.100	22.23	25.22	11.10	368.8	372.8	35.70	4.80	45.44	1016/228557	1176	47.07

Hochleistungsrollenketten, schwere Ausführung

Heavy duty series roller chains

Chaînes à rouleaux de précision, haute résistance



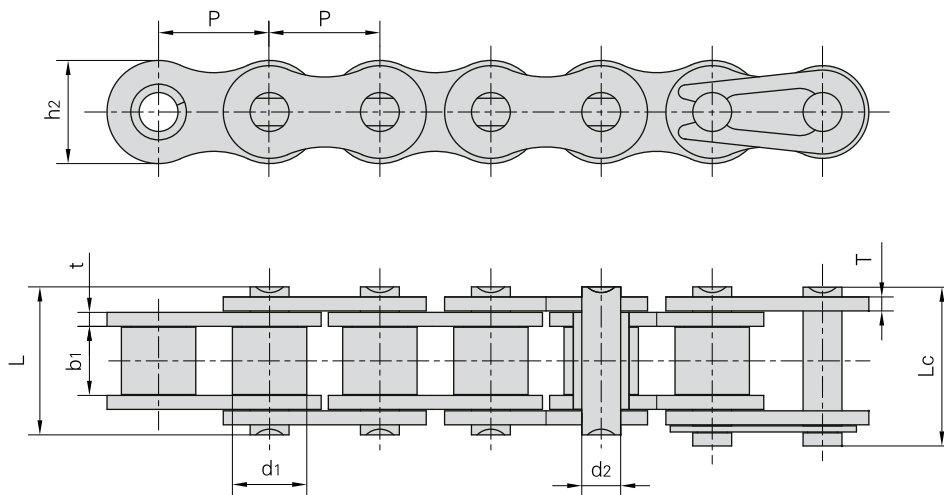
DIN/ISO Chain No.	ANSI Chain No.	Pitch <i>Teilung</i>	Roller diameter <i>Rollen-durchmesser</i>	Width between inner plates <i>Innere Breite</i>	Pin diameter <i>Bolzen-durchmesser</i>	Pin length		Inner plate depth <i>Innen-laschen-höhe</i>	Plate thickness <i>Laschen-dicke</i>	Transverse pitch <i>Mitten-abstand</i>	Ultimate tensile strength <i>Min. Bruchkraft</i>	Average tensile strength <i>Durchschn. Bruchkraft</i>	Weight per meter <i>Gewicht</i>
						L	Lc						
						mm	mm						
	*35H-1	9.525	5.08	4.77	3.58	13.3	14.3	9.00	1.50	-	7.9/1795	10.8	0.41
08AH-1	40H-1	12.700	7.95	7.85	3.96	18.8	19.9	12.00	2.03	-	14.1/3205	19.1	0.82
10AH-1	50H-1	15.875	10.16	9.40	5.08	22.1	23.4	15.09	2.42	-	22.2/5045	30.2	1.25
12AH-1	60H-1	19.050	11.91	12.57	5.94	29.2	31.0	18.00	3.25	-	31.8/7227	42.7	1.87
16AH-1	80H-1	25.400	15.88	15.75	7.92	36.2	37.7	24.00	4.00	-	56.7/12886	71.4	3.10
20AH-1	100H-1	31.750	19.05	18.90	9.53	43.6	46.9	30.00	4.80	-	88.5/20114	112.4	4.52
24AH-1	120H-1	38.100	22.23	25.22	11.10	53.5	57.5	35.70	5.60	-	127.0/28864	160.9	6.60
28AH-1	140H-1	44.450	25.40	25.22	12.70	57.6	62.2	41.00	6.40	-	172.4/39182	217.3	8.30
32AH-1	160H-1	50.800	28.58	31.55	14.27	68.2	73.0	47.80	7.20	-	226.8/51545	285.8	10.30
36AH-1	180H-1	57.150	35.71	35.48	17.46	75.9	81.6	53.60	8.00	-	281.0/63863	341.8	14.83
40AH-1	200H-1	63.500	39.68	37.85	19.85	86.6	93.5	60.00	9.50	-	353.8/80409	444.5	19.16
48AH-1	240H-1	76.200	47.63	47.35	23.81	109.6	115.9	72.30	12.70	-	510.3/115977	622.5	30.4
12AH-2	60H-2	19.050	11.91	12.57	5.94	55.3	57.1	18.00	3.25	26.11	63.6/14455	84.5	3.71
16AH-2	80H-2	25.400	15.88	15.75	7.92	68.8	70.3	24.00	4.00	32.59	113.4/25773	145.3	6.15
20AH-2	100H-2	31.750	19.05	18.90	9.53	82.7	86.0	30.00	4.80	39.09	177.0/40227	225.9	9.03
24AH-2	120H-2	38.100	22.23	25.22	11.10	102.4	106.4	35.70	5.60	48.87	254.0/57727	322.7	13.13
28AH-2	140H-2	44.450	25.40	25.22	12.70	109.8	114.4	41.00	6.40	52.20	344.8/78364	437.7	16.60
32AH-2	160H-2	50.800	28.58	31.55	14.27	130.1	134.9	47.80	7.20	61.90	453.6/103091	571.6	20.20
40AH-2	200H-2	63.500	39.68	37.85	19.85	164.9	171.8	60.00	9.50	78.31	707.6/160818	894.9	38.11
12AH-3	60H-3	19.050	11.91	12.57	5.94	81.4	83.2	18.00	3.25	26.11	95.4/21682	113.9	5.54
16AH-3	80H-3	25.400	15.88	15.75	7.92	101.4	102.9	24.00	4.00	32.59	170.1/38659	203.5	9.42
20AH-3	100H-3	31.750	19.05	18.90	9.53	121.8	125.1	30.00	4.80	39.09	265.5/60341	314.8	12.96
24AH-3	120H-3	38.100	22.23	25.22	11.10	151.2	155.2	35.70	5.60	48.87	381.0/86591	444.7	19.64
28AH-3	140H-3	44.450	25.40	25.22	12.70	162.0	166.6	41.00	6.40	52.20	517.2/117545	598.4	24.90
32AH-3	160H-3	50.800	28.58	31.55	14.27	192.0	196.8	47.80	7.20	61.90	680.4/154636	787.3	30.10
40AH-3	200H-3	63.500	39.68	37.85	19.85	243.2	250.1	60.00	9.50	78.31	1061.4/241227	1228.2	57.06

*Bushing chain: d1 in the table indicate the external diameter of the bushing
 *Buchsenketten: In dieser Tabelle zeigt d1 den Außendurchmesser der Buchsen.

Hochleistungsrollenketten, schwere Ausführung

Heavy duty series roller chains

Chaînes à rouleaux de précision, haute résistance



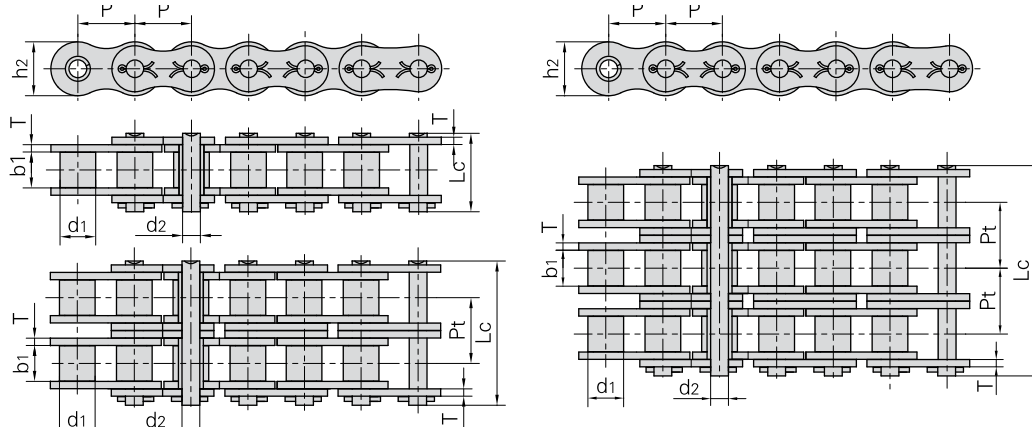
Donghua Chain No. <i>Donghua Ketten Nr.</i>	Pitch	Roller diameter	Width between inner plates	Pin diameter	Pin length		Inner plate depth	Plate thickness	Ultimate tensile strength	Weight per meter
	<i>Teilung</i>	<i>Rollen-durchmesser</i>	<i>Innere Breite</i>	<i>Bolzen-durchmesser</i>	<i>Bolzen-länge</i>		<i>Innen-laschen-höhe</i>	<i>Laschen-dicke</i>	<i>Min. Bruchkraft</i>	<i>Gewicht</i>
	P	d1 max	b1 min	d2 max	L max	Lc max	h2 max	t/T	Q min	q
	mm	mm	mm	mm	mm	mm	mm	mm	kN/LB	kg/m
04BH	6.000	4.00	2.80	1.85	8.4	9.4	5.0	0.9	5.0/1136	0.14
*06BH	9.525	6.35	5.72	3.58	14.4	15.4	8.2	1.6	11.25/2557	0.51
08BH	12.700	8.51	7.85	4.45	18.8	19.9	11.8	2.03	20.6/4682	0.79
10BH	15.875	10.16	9.65	5.08	20.2	21.6	14.7	1.85	25.0/5681	1.03
12BH	19.050	12.07	11.68	5.94	25.2	26.8	16.0	2.42	40.0/9091	1.45
12BV	19.050	12.07	11.68	6.10	24.5	26.5	16.0	2.42	36.00/8182	1.43
12BHF2	19.050	12.07	13.50	5.72	28.8	30.3	16.5	2.80	35.0/7954	1.71
16BH	25.400	15.88	17.02	8.90	35.7	38.9	24.1	4.0/3.1	80.0/18182	3.11
24BH	38.100	25.40	25.40	14.63	58.6	63.4	36.2	7.5/6.0	225.0/51136	9.00
24BHF2	38.100	25.40	25.40	14.63	57.8	62.2	37.0	7.2/6.0	225.4/51227	9.10

*straight side plates
 *Gerade Laschen

Hochleistungsrollenketten mit Splinten (A Serie)

Cottered type short pitch precision roller chains (A series)

Chaînes à rouleaux de précision avec goupille fendue (Série A)

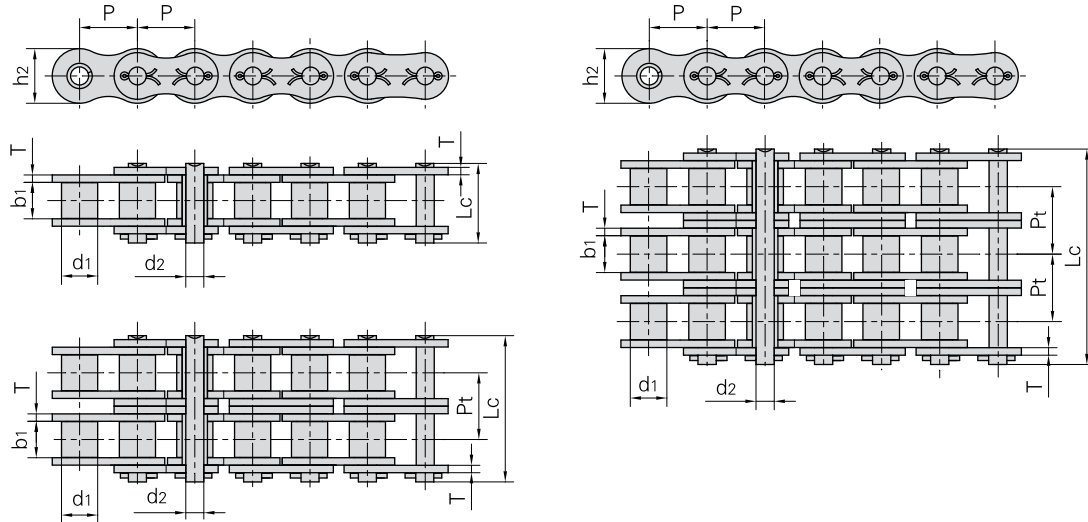


DIN/ISO Chain No.	ANSI Chain No.	Pitch	Roller diameter	Width between inner plates	Pin diameter	Pin length	Inner plate depth	Plate thickness	Transverse pitch	Ultimate tensile strength	Average tensile strength	Weight per meter
<i>DIN/ISO Ketten Nr.</i>	<i>ANSI Ketten Nr.</i>	<i>Teilung</i>	<i>Rollen-durchmesser</i>	<i>Innere Breite</i>	<i>Bolzen-durchmesser</i>	<i>Bolzen-länge</i>	<i>Innen-laschen-höhe</i>	<i>Laschen-dicke</i>	<i>Mitten-abstand</i>	<i>Min. Bruchkraft</i>	<i>Durchschn. Bruchkraft</i>	<i>Gewicht</i>
		P	d1 max	b1 min	d2 max	Lc max	h2 max	T max	Pt	Q min	Q0	q
		mm	mm	mm	mm	mm	mm	mm	mm	kN/LB	kN	kg/m
10A-1	50-1	15.875	10.16	9.40	5.08	23.3	15.09	2.03	-	22.2/5045	29.4	1.02
12A-1	60-1	19.050	11.91	12.57	5.94	28.3	18.00	2.42	-	31.8/7227	41.5	1.50
16A-1	80-1	25.400	15.88	15.75	7.92	36.5	24.00	3.25	-	56.7/12886	69.4	2.60
20A-1	100-1	31.750	19.05	18.90	9.53	44.7	30.00	4.00	-	88.5/20114	109.2	3.91
24A-1	120-1	38.100	22.23	25.22	11.10	54.3	35.70	4.80	-	127.0/28864	156.3	5.62
28A-1	140-1	44.450	25.40	25.22	12.70	59.0	41.00	5.60	-	172.4/39182	212.0	7.50
32A-1	160-1	50.800	28.58	31.55	14.27	69.6	47.80	6.40	-	226.8/51545	278.9	10.10
36A-1	180-1	57.150	35.71	35.48	17.46	78.6	53.60	7.20	-	280.2/63682	341.8	13.45
40A-1	200-1	63.500	39.68	37.85	19.85	87.2	60.00	8.00	-	353.8/80409	431.6	16.15
48A-1	240-1	76.200	47.63	47.35	23.81	103.0	72.39	9.50	-	510.3/115977	622.5	23.20
10A-2	50-2	15.875	10.16	9.40	5.08	41.2	15.09	2.03	18.11	44.4/10091	58.1	2.00
12A-2	60-2	19.050	11.91	12.57	5.94	51.1	18.00	2.42	22.78	63.6/14455	82.1	2.92
16A-2	80-2	25.400	15.88	15.75	7.92	65.8	24.00	3.25	29.29	113.4/25773	141.8	5.15
20A-2	100-2	31.750	19.05	18.90	9.53	80.5	30.00	4.00	35.76	177.0/40227	219.4	7.80
24A-2	120-2	38.100	22.23	25.22	11.10	99.7	35.70	4.80	45.44	254.0/57727	314.9	11.70
28A-2	140-2	44.450	25.40	25.22	12.70	107.9	41.00	5.60	48.87	344.8/78364	427.5	15.14
32A-2	160-2	50.800	28.58	31.55	14.27	128.1	47.80	6.40	58.55	453.6/103091	562.4	20.14
36A-2	180-2	57.150	35.71	35.48	17.46	144.4	53.60	7.20	65.84	560.5/127386	695.0	29.22
40A-2	200-2	63.500	39.68	37.85	19.85	158.8	60.00	8.00	71.55	707.6/160818	877.4	32.24
48A-2	240-2	76.200	47.63	47.35	23.81	190.8	72.39	9.50	87.83	1020.6/231955	1255.3	45.23
10A-3	50-3	15.875	10.16	9.40	5.08	59.3	15.09	2.03	18.11	66.6/15136	77.8	3.09
12A-3	60-3	19.050	11.91	12.57	5.94	73.9	18.00	2.42	22.78	95.4/21682	111.1	4.54
16A-3	80-3	25.400	15.88	15.75	7.92	95.1	24.00	3.25	29.29	170.1/38659	198.4	7.89
20A-3	100-3	31.750	19.05	18.90	9.53	116.3	30.00	4.00	35.76	265.5/60341	309.6	11.77
24A-3	120-3	38.100	22.23	25.22	11.10	145.2	35.70	4.80	45.44	381.0/86591	437.2	17.53
28A-3	140-3	44.450	25.40	25.22	12.70	156.8	41.00	5.60	48.87	517.2/117545	593.3	22.20
32A-3	160-3	50.800	28.58	31.55	14.27	186.6	47.80	6.40	58.55	680.4/154636	780.6	30.02
36A-3	180-3	57.150	35.71	35.48	17.46	210.2	53.60	7.20	65.84	840.7/191068	983.6	38.22
40A-3	200-3	63.500	39.68	37.85	19.85	230.4	60.00	8.00	71.55	1061.4/241227	1217.8	49.03
48A-3	240-3	76.200	47.63	47.35	23.81	278.6	72.39	9.50	87.83	1530.9/347932	1756.5	71.60

Rollenketten mit Splinten, schwere Ausführung

Heavy duty series cottered type roller chains

Chaînes à rouleaux avec goupille fendue, haute résistance

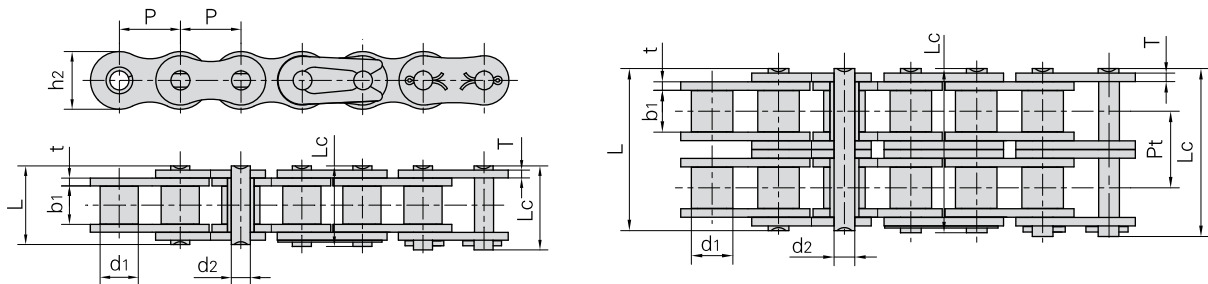


DIN/ISO Chain No.	ANSI Chain No.	Pitch	Roller diameter	Width between inner plates	Pin diameter	Pin length	Inner plate depth	Plate thickness	Transverse pitch	Ultimate tensile strength	Average tensile strength	Weight per meter
<i>DIN/ISO Ketten Nr.</i>	<i>ANSI Ketten Nr.</i>	<i>Teilung</i>	<i>Rollen-durchmesser</i>	<i>Innere Breite</i>	<i>Bolzen-durchmesser</i>	<i>Bolzen-länge</i>	<i>Innen-laschen-höhe</i>	<i>Laschen-dicke</i>	<i>Mitten-abstand</i>	<i>Min. Bruchkraft</i>	<i>Durchschn. Bruchkraft</i>	<i>Gewicht</i>
		P	d1 max	b1 min	d2 max	Lc max	h2 max	T max	Pt	Q min	Q0	q
		mm	mm	mm	mm	mm	mm	mm	mm	kN/LB	kN	kg/m
10AH-1	50H-1	15.875	10.16	9.40	5.08	24.4	15.09	2.42	-	22.2/5045	30.2	1.25
12AH-1	60H-1	19.050	11.91	12.57	5.94	31.6	18.00	3.25	-	31.8/7227	42.7	1.87
16AH-1	80H-1	25.400	15.88	15.75	7.92	39.4	24.00	4.00	-	56.7/12886	71.4	3.10
20AH-1	100H-1	31.750	19.05	18.90	9.53	46.9	30.00	4.80	-	88.5/20114	112.4	4.52
24AH-1	120H-1	38.100	22.23	25.22	11.10	57.5	35.70	5.60	-	127.0/28864	160.9	6.60
28AH-1	140H-1	44.450	25.40	25.22	12.70	62.2	41.00	6.40	-	172.4/39182	217.3	8.30
32AH-1	160H-1	50.800	28.58	31.55	14.27	73.0	47.80	7.20	-	226.8/51545	285.8	10.30
40AH-1	200H-1	63.500	39.68	37.85	19.85	93.5	60.00	9.50	-	353.8/80409	444.5	19.16
12AH-2	60H-2	19.050	11.91	12.57	5.94	57.7	18.00	3.25	26.11	63.6/14454	84.5	3.71
16AH-2	80H-2	25.400	15.88	15.75	7.92	72.0	24.00	4.00	32.59	113.4/25773	145.3	6.15
20AH-2	100H-2	31.750	19.05	18.90	9.53	86.0	30.00	4.80	39.09	177.0/40227	225.9	9.03
24AH-2	120H-2	38.100	22.23	25.22	11.10	106.4	35.70	5.60	48.87	254.0/57727	322.7	13.13
28AH-2	140H-2	44.450	25.40	25.22	12.70	114.4	41.00	6.40	52.20	344.8/78364	437.7	16.60
32AH-2	160H-2	50.800	28.58	31.55	14.27	134.9	47.80	7.20	61.90	453.6/103091	571.6	20.20
40AH-2	200H-2	63.500	39.68	37.85	19.85	171.8	60.00	9.50	78.31	707.6/160818	894.9	38.11
12AH-3	60H-3	19.050	11.91	12.57	5.94	83.8	18.00	3.25	26.11	95.4/21682	113.9	5.54
16AH-3	80H-3	25.400	15.88	15.75	7.92	104.6	24.00	4.00	32.59	170.1/38659	203.5	9.42
20AH-3	100H-3	31.750	19.05	18.90	9.53	125.1	30.00	4.80	39.09	265.5/60341	314.8	12.96
24AH-3	120H-3	38.100	22.23	25.22	11.10	155.2	35.70	5.60	48.87	381.0/86591	444.7	19.64
28AH-3	140H-3	44.450	25.40	25.22	12.70	166.6	41.00	6.40	52.20	517.2/117545	598.4	24.90
32AH-3	160H-3	50.800	28.58	31.55	14.27	196.8	47.80	7.20	61.90	680.4/154636	787.3	30.10
40AH-3	200H-3	63.500	39.68	37.85	19.85	250.1	60.00	9.50	78.31	1061.4/241227	1228.2	57.06

Andere Rollenketten

Other roller chains

Autres chaînes à rouleaux

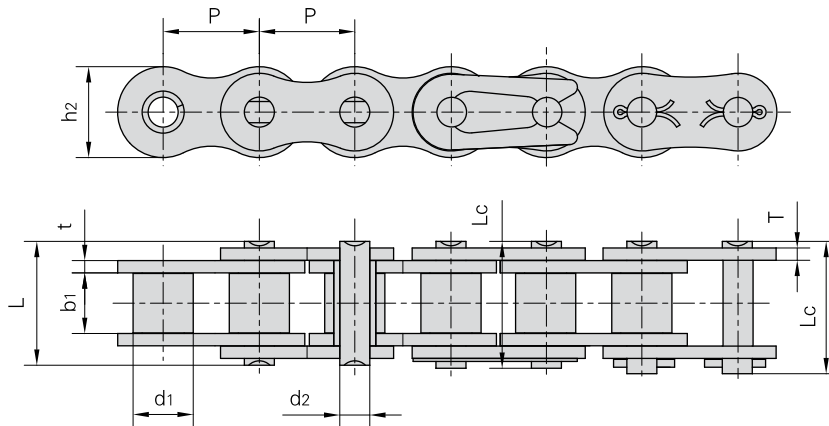


Donghua Chain No. <i>Donghua Ketten Nr.</i>	Pitch	Roller diameter	Width between inner plates	Pin diameter	Pin length		Inner plate depth	Plate thickness	Transverse pitch	Ultimate tensile strength	Average tensile strength	Weight per meter
	<i>Teilung</i>	<i>Rollen-durchmesser</i>	<i>Innere Breite</i>	<i>Bolzen-durchmesser</i>	<i>Bolzen-länge</i>	<i>Bolzen-länge</i>	<i>Innen-laschen-höhe</i>	<i>Laschen-dicke</i>	<i>Mitten-abstand</i>	<i>Min. Bruchkraft</i>	<i>Durchschn. Bruchkraft</i>	<i>Gewicht</i>
	P mm	d1 max mm	b1 min mm	d2 max mm	L max mm	Lc max mm	h2 max mm	t/T max mm	Pt mm	Q min kN/LB	Q0 kN	q kg/m
A06B-2	9.525	6.35	5.72	3.28	23.4	24.40	8.20	1.30	10.24	16.90/3841	18.7	0.75
06BF30-2	9.525	6.35	5.40	3.28	23.7	23.70	9.60	1.60	10.24	16.5/3748	18.15	1.05
415	12.700	7.77	4.76	3.60	11.0	12.40	9.70	1.00	-	6.86/1559	7.6	0.32
415H	12.700	7.77	4.76	3.96	13.1	14.50	12.00	1.50	-	14.40/3273	16.1	0.55
415B	12.700	7.75	4.88	4.09	12.9	14.40	10.30	1.30	-	12.00/2727	14.2	0.45
415BF1	12.700	7.75	4.88	4.09	11.5	13.00	10.30	1.00	-	9.00/2045	10.6	0.38
415BF3	12.700	7.75	4.80	4.09	11.6	13.65	10.30	1.20	-	9.80/2227	10.7	0.43
415BF5	12.700	7.75	5.10	4.09	14.4	16.00	9.90	1.8/1.6	-	16.00/3600	16.5	0.46
415BF7	12.700	7.75	4.88	3.58	13.8	15.00	10.30	1.30	-	6.00/1363	10.7	0.40
423	12.700	8.51	6.40	4.45	15.6	17.10	12.40	1.70	-	19.60/4455	21.9	0.71
478	12.700	7.80	4.80	4.00	11.6	13.65	10.46	1.25	-	9.80/2227	12.8	0.39
170GSX	12.700	7.75	6.45	3.96	14.8	16.40	11.50	1.6/1.4	-	17.15/3860	18.5	0.62
205	12.700	8.51	6.40	4.45	15.2	16.30	11.80	1.6/1.3	-	18.00/4049	19.0	0.85
08BF	12.700	8.51	5.55	4.45	14.6	16.10	11.80	1.60	-	17.80/4045	19.2	0.66
10AF13	15.875	10.16	16.31	5.08	27.6	29.10	15.09	2.03	-	21.8/4952	23.9	1.35
10AF50	15.875	14.20	19.40	5.08	30.9	32.60	13.00	2.03	-	16.4/3726	18.0	2.14
12BF14	19.050	12.07	30.56	5.72	42.0	43.60	16.00	1.85	-	29.00/6591	32.2	2.13
515	19.050	12.07	13.50	5.72	28.6	31.30	16.20	3.00	-	30.0/6748	33.0	1.83
12BF58	19.050	12.70	31.40	5.72	43.5	46.20	16.00	2.03	-	29.00/6591	32.2	2.36
14BF1	22.225	14.30	14.60	9.00	36.3	38.00	23.50	4.8/4.0	-	75.0/16871	82.5	3.59
16BF1	25.400	15.88	12.20	8.28	31.4	32.70	21.00	4.15/3.1	-	60.00/13636	71.4	2.51
16BF2	25.400	15.88	17.02	8.28	38.6	39.80	21.00	4.15	-	60.00/13636	71.4	3.08
16BF5	25.400	15.88	12.70	8.28	30.8	32.10	20.00	3.5/3.0	-	50.00/11364	57.5	2.37
16AF52	25.400	15.88	78.00	7.92	95.6	99.10	24.00	3.25	-	56.7/12882	62.0	6.46
16AF62	25.400	15.88	47.00	7.92	64.3	67.80	24.00	3.25	-	56.7/12882	62.0	4.29
16AF93	25.400	15.88	12.70	7.92	25.0	28.50	20.50	2.03	-	28.0/63616	30.8	1.74
20AFT-2	31.750	19.05	18.90	9.53	76.4	80.50	30.10	4.00	35.76	211.68/48093	232.0	8.09
20AF22	31.750	19.05	18.90	9.53	44.7	44.70	30.00	4.00	-	50/11360	55.0	3.97
20BF14	31.750	19.05	19.56	10.19	45.6	49.30	26.40	5.6/4.5	-	105/23856	115.5	4.57
24BHF5	38.100	25.40	25.40	14.63	64.6	69.10	36.20	9/7.5	-	270/61344	297.0	10.60
28AF1-2	44.450	25.40	25.22	12.70	103.3	112.20	41.00	5.60	48.87	338.1/76816	371.9	15.06
32AF2	50.800	32.00	31.75	17.00	64.8	69.60	48.00	6.40	-	200.00/45454	222.5	11.61
32AT	50.800	28.58	15.88	14.27	36.2	40.80	47.80	3.25	-	111.20/25272	123.6	5.21

Korrosionsbeständige Ketten, verzinkt

Corrosion resistant / Zinc-plated chains

Chaînes anticorrosion, zinguées



Donghua Chain No.	Pitch <i>Teilung</i>	Roller diameter <i>Rollen-durchmesser</i>	Width between inner plates <i>Innere Breite</i>	Pin diameter <i>Bolzen-durchmesser</i>	Pin length <i>Bolzen-länge</i>		Inner plate depth <i>Innen-laschen-höhe</i>	Plate thickness <i>Laschen-dicke</i>	Breaking load <i>Bruchkraft</i>	Weight per meter <i>Gewicht</i>
<i>Donghua Ketten Nr.</i>	P	d1 max	b1 min	d2 max	L max	Lc max	h2 max	t/T max	Q	q
	mm	mm	mm	mm	mm	mm	mm	mm	kN/LB	kg/m
*25ZP	6.350	3.30	3.18	2.31	7.90	8.40	6.00	0.80	3.50/795	0.15
*35ZP	9.525	5.08	4.77	3.58	12.40	13.17	9.00	1.30	7.90/1795	0.33
41ZP	12.700	7.77	6.25	3.58	13.75	15.00	9.91	1.30	6.67/1516	0.41
40ZP	12.700	7.95	7.85	3.96	16.60	17.80	12.00	1.50	14.10/3205	0.62
50ZP	15.875	10.16	9.40	5.08	20.70	22.20	15.09	2.03	22.20/5045	1.02
60ZP	19.050	11.91	12.57	5.94	25.90	27.70	18.00	2.42	31.80/7227	1.50
80ZP	25.400	15.88	15.75	7.92	32.70	35.00	24.00	3.25	56.70/12886	2.60
100ZP	31.750	19.05	18.90	9.53	40.40	44.70	30.00	4.00	88.50/20114	3.91
120ZP	38.100	22.23	25.22	11.10	50.30	54.30	35.70	4.80	127.00/28864	5.62
140ZP	44.450	25.40	25.22	12.70	54.40	59.00	41.00	5.60	172.40/39182	7.50
160ZP	50.800	28.58	31.55	14.27	64.80	69.60	47.80	6.40	226.80/51545	10.10
04BZP	6.000	4.00	2.80	1.85	6.80	7.80	5.00	0.60	3.00/682	0.11
05BZP	8.000	5.00	3.00	2.31	8.20	8.90	7.10	0.80	5.00/1136	0.20
#06BZP	9.525	6.35	5.72	3.28	13.15	14.10	8.20	1.30	9.00/2045	0.41
08BZP	12.700	8.51	7.75	4.45	16.70	18.20	11.80	1.60	18.00/4091	0.69
10BZP	15.875	10.16	9.65	5.08	19.50	20.90	14.70	1.70	22.40/5091	0.93
12BZP	19.050	12.07	11.68	5.72	22.50	24.20	16.00	1.85	29.00/6591	1.15
16BZP	25.400	15.88	17.02	8.28	36.10	37.40	21.00	4.15/3.1	60.00/13636	2.71
20BZP	31.750	19.05	19.56	10.19	41.30	45.00	26.40	4.5/3.5	95.00/21591	3.70
24BZP	38.100	25.40	25.40	14.63	53.40	57.80	33.20	6.0/4.8	160.0/36364	7.10
28BZP	44.450	27.94	30.99	15.90	65.10	69.50	36.70	7.5/6.0	200.0/45455	8.50
32BZP	50.800	29.21	30.99	17.81	66.00	71.00	42.00	7.0/6.0	250.0/56818	10.25

*Bushing chain: d1 in the table indicate the external diameter of the bushing.

*Buchsenketten: In dieser Tabelle zeigt d1 den Außendurchmesser der Buchsen.

#Straight side plates

#Gerade Laschen

Note: Duplex & Triplex zinc plated chains are available in all sizes

Double pitch zinc plated conveyor chains are available upon request

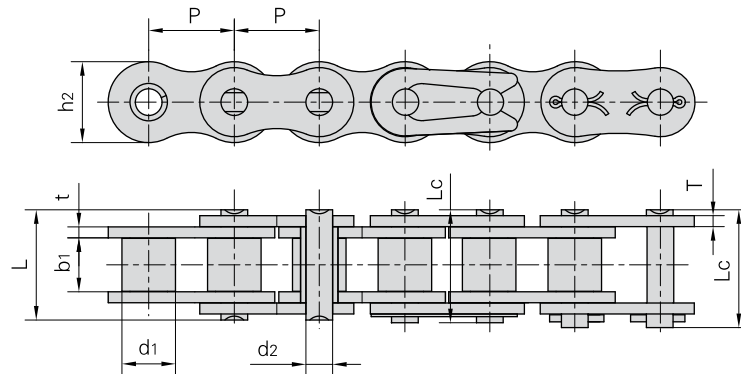
Hinweis: Alle Zweifach- und langgliedrige Förderketten von der obengenannten Spezifikation können nach Kundenwunsch auch verzinkt werden.

Korrosionsbeständige Ketten, vernickelt

Corrosion resistant / Nickel-plated chains

Chaînes anticorrosion, nickelées

Nickel-plated chains are suitable for outdoor conditions such as exposure to rain
 Die vernickelten Ketten sind geeignet für die Anwendung in der korrosiven Umgebung, z.B. im Regen.



Donghua Chain No.	Pitch	Roller diameter	Width between inner plates	Pin diameter	Pin length		Inner plate depth	Plate thickness	Breaking load	Weight per meter
<i>Donghua Ketten Nr.</i>	<i>Teilung</i>	<i>Rollen-durchmesser</i>	<i>Innere Breite</i>	<i>Bolzen-durchmesser</i>	<i>Bolzen-länge</i>	<i>Bolzen-länge</i>	<i>Innen-laschen-höhe</i>	<i>Laschen-dicke</i>	<i>Bruchkraft</i>	<i>Gewicht</i>
	P	d1 max	b1 min	d2 max	L max	Lc max	h2 max	t/T max	Q	q
	mm	mm	mm	mm	mm	mm	mm	mm	kN/LB	kg/m
*25NP	6.350	3.30	3.18	2.31	7.90	8.40	6.00	0.80	3.50/795	0.15
*35NP	9.525	5.08	4.77	3.58	12.40	13.17	9.00	1.30	7.90/1795	0.33
41NP	12.700	7.77	6.25	3.58	13.75	15.00	9.91	1.30	6.67/1516	0.41
40NP	12.700	7.95	7.85	3.96	16.60	17.80	12.00	1.50	14.10/3205	0.62
50NP	15.875	10.16	9.40	5.08	20.70	22.20	15.09	2.03	22.20/5045	1.02
60NP	19.050	11.91	12.57	5.94	25.90	27.70	18.00	2.42	31.80/7227	1.50
80NP	25.400	15.88	15.75	7.92	32.70	35.00	24.00	3.25	56.70/12886	2.60
100NP	31.750	19.05	18.90	9.53	40.40	44.70	30.00	4.00	88.50/20114	3.91
120NP	38.100	22.23	25.22	11.10	50.30	54.30	35.70	4.80	127.00/28864	5.62
140NP	44.450	25.40	25.22	12.70	54.40	59.00	41.00	5.60	172.40/39182	7.50
160NP	50.800	28.58	31.55	14.27	64.80	69.60	47.80	6.40	226.80/51545	10.10
04BNP	6.000	4.00	2.80	1.85	6.80	7.80	5.00	0.60	3.00/682	0.11
05BNP	8.000	5.00	3.00	2.31	8.20	8.90	7.10	0.80	5.00/1136	0.20
#06BNP	9.525	6.35	5.72	3.28	13.15	14.10	8.20	1.30	9.00/2045	0.41
08BNP	12.700	8.51	7.75	4.45	16.70	18.20	11.80	1.60	18.00/4091	0.69
10BNP	15.875	10.16	9.65	5.08	19.50	20.90	14.70	1.70	22.40/5091	0.93
12BNP	19.050	12.07	11.68	5.72	22.50	24.20	16.00	1.85	29.00/6591	1.15
16BNP	25.400	15.88	17.02	8.28	36.10	37.40	21.00	4.15/3.1	60.00/13636	2.71
20BNP	31.750	19.05	19.56	10.19	41.30	45.00	26.40	4.5/3.5	95.00/21591	3.70
24BNP	38.100	25.40	25.40	14.63	53.40	57.80	33.20	6.0/4.8	160.0/36364	7.10
28BNP	44.450	27.94	30.99	15.90	65.10	69.50	36.70	7.5/6.0	200.00/45455	8.50
32BNP	50.800	29.21	30.99	17.81	66.00	71.00	42.00	7.0/6.0	250.00/56818	10.25

*Bushing chain: d1 in the table indicate the external diameter of the bushing.

*Buchsenketten: In dieser Tabelle zeigt d1 den Außendurchmesser der Buchsen.

#Straight side plates

#Gerade Laschen

Note: Duplex & Triplex nickel plated chains are available in all sizes

Double pitch zinc plated conveyor chains are available upon request

Hinweis: Alle Zweifach- und langgliedrige Förderketten von der obengenannten Spezifikation können nach Kundenwunsch auch vernickelt werden.



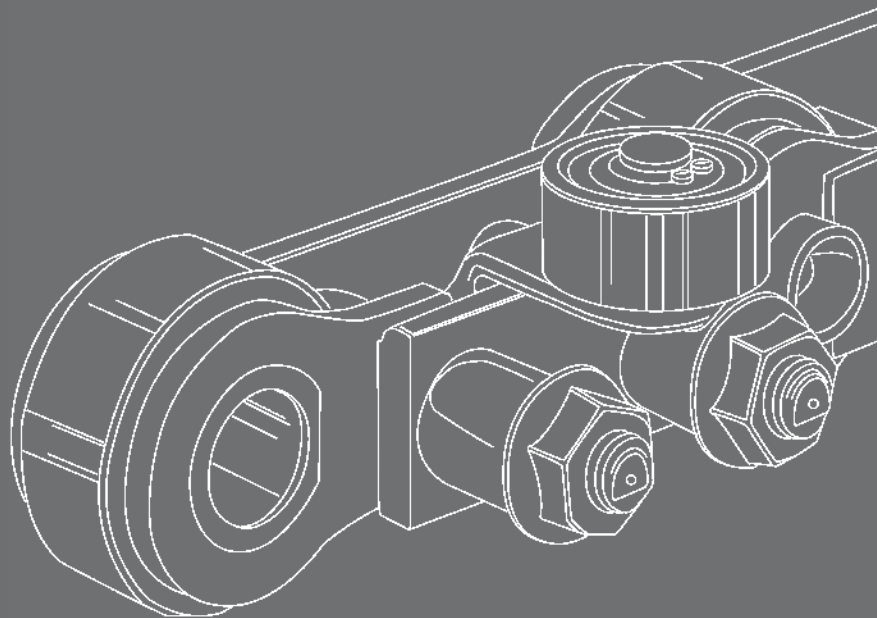
KÖBO-DONGHUA

The Chain People

Korrosionsgeschützte
Hochleistungsrollenketten,
Dacromet beschichtet

Corrosion resistant,
Dacromet-plated chains

Chaînes à rouleaux de précision
anticorrosion, protection Dacromet



Zertifiziert nach DIN EN ISO 9001

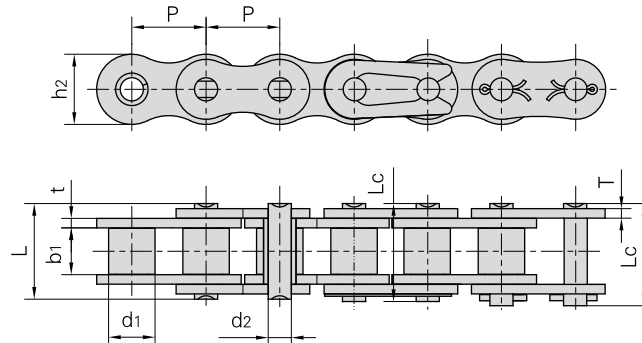
Korrosionsgeschützte Hochleistungsrollenketten, Dacromet beschichtet

Corrosion resistant / Dacromet-plated chains

Chaînes à rouleaux de précision anticorrosion, protection Dacromet

Dacromet-plated chains are suitable for corrosive conditions

Die Dacromet beschichteten Ketten sind geeignet für die Anwendung in der korrosiven Umgebung.



Donghua Chain No.	Pitch	Roller diameter	Width between inner plates	Pin diameter	Pin length		Inner plate depth	Plate thickness	Breaking load	Weight per meter
<i>Donghua Ketten Nr.</i>	<i>Teilung</i>	<i>Rollen-durchmesser</i>	<i>Innere Breite</i>	<i>Bolzen-durchmesser</i>	<i>Bolzen-länge</i>		<i>Innen-laschen-höhe</i>	<i>Laschen-dicke</i>	<i>Bruchkraft</i>	<i>Gewicht</i>
	P	d1 max	b1 min	d2 max	L max	Lc max	h2 max	t/T max	Q	q
	mm	mm	mm	mm	mm	mm	mm	mm	kN/LB	kg/m
*25DR	6.350	3.30	3.18	2.31	7.90	8.40	6.00	0.80	3.50/795	0.15
*35DR	9.525	5.08	4.77	3.58	12.40	13.17	9.00	1.30	7.90/1795	0.33
41DR	12.700	7.77	6.25	3.58	13.75	15.00	9.91	1.30	6.67/1516	0.41
40DR	12.700	7.95	7.85	3.96	16.60	17.80	12.00	1.50	14.10/3205	0.62
50DR	15.875	10.16	9.40	5.08	20.70	22.20	15.09	2.03	22.20/5045	1.02
60DR	19.050	11.91	12.57	5.94	25.90	27.70	18.00	2.42	31.80/7227	1.50
80DR	25.400	15.88	15.75	7.92	32.70	35.00	24.00	3.25	56.70/12886	2.60
100DR	31.750	19.05	18.90	9.53	40.40	44.70	30.00	4.00	88.50/20114	3.91
120DR	38.100	22.23	25.22	11.10	50.30	54.30	35.70	4.80	127.00/28864	5.62
140DR	44.450	25.40	25.22	12.70	54.40	59.00	41.00	5.60	172.40/39182	7.50
160DR	50.800	28.58	31.55	14.27	64.80	69.60	47.80	6.40	226.80/51545	10.10
04BDR	6.000	4.00	2.80	1.85	6.80	7.80	5.00	0.60	3.00/682	0.11
05BDR	8.000	5.00	3.00	2.31	8.20	8.90	7.10	0.80	5.00/1136	0.20
#06BDR	9.525	6.35	5.72	3.28	13.15	14.10	8.20	1.30	9.00/2045	0.41
08BDR	12.700	8.51	7.75	4.45	16.70	18.20	11.80	1.60	18.00/4091	0.69
10BDR	15.875	10.16	9.65	5.08	19.50	20.90	14.70	1.70	22.40/5091	0.93
12BDR	19.050	12.07	11.68	5.72	22.50	24.20	16.00	1.85	29.00/6591	1.15
16BDR	25.400	15.88	17.02	8.28	36.10	37.40	21.00	4.15/3.1	60.00/13636	2.71
20BDR	31.750	19.05	19.56	10.19	41.30	45.00	26.40	4.5/3.5	95.00/21591	3.70
24BDR	38.100	25.40	25.40	14.63	53.40	57.80	33.20	6.0/4.8	160.00/36364	7.10
28BDR	44.450	27.94	30.99	15.90	65.10	69.50	36.70	7.5/6.0	200.00/45455	8.50
32BDR	50.800	29.21	30.99	17.81	66.00	71.00	42.00	7.0/6.0	250.00/56818	10.25

*Bushing chain: d1 in the table indicate the external diameter of the bushing.

*Buchsenketten: In dieser Tabelle zeigt d1 den Außendurchmesser der Buchsen.

#Straight side plates

#Gerade Laschen

Note: Duplex & Triplex dacromet -- plated chains are available in all sizes.

Double pitch dacromet -- plated conveyor chains are available upon request.

Hinweis: Alle Zweifach- und langgliedrige Förderketten von der obengenannten Spezifikation können nach Kundenwunsch auch Dacromet beschichtet werden.



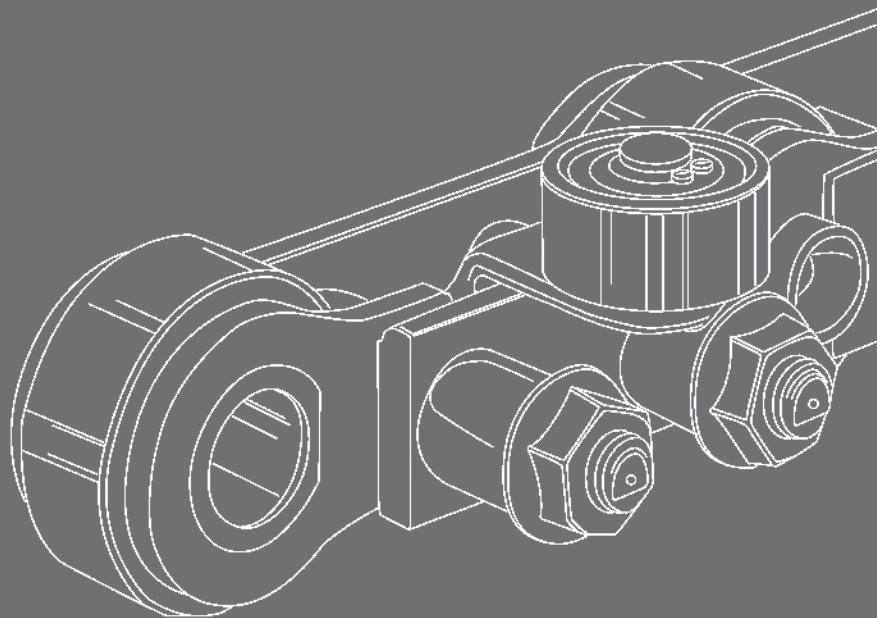
KÖBO-DONGHUA

The Chain People

Ölfeldketten

Oil field chains

Chaînes pour l'industrie pétrolière



Zertifiziert nach DIN EN ISO 9001

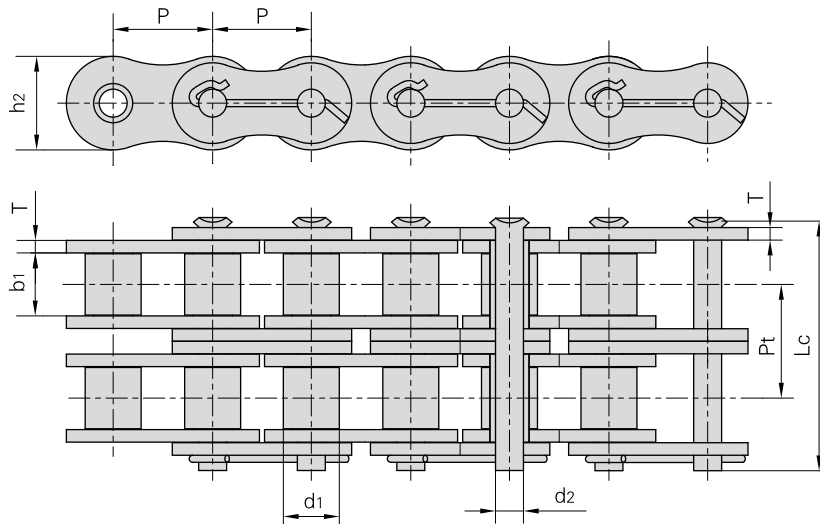
Ölfeldketten

Oil field chains

Chaînes pour l'industrie pétrolière



Simplex, Duplex & Triplex strands
 Einfach, Zweifach & Dreifach



ANSI Chain No.	Donghua Chain No.	Pitch		Roller diameter	Width between inner plates	Pin diameter	Pin length	Inner plate depth	Plate thickness	Transverse pitch	Ultimate tensile strength	Weight per meter
		Teilung										
		ANSI Ketten Nr.	Donghua Ketten Nr.	P	d1 max	b1 min	d2 max	Lc max	h2 max	T max	Pt	Q min
		mm	inch	mm	mm	mm	mm	mm	mm	mm	kN/LB	kg/m
80	16S-1	25.40	1	15.88	15.75	7.92	37.55	24.1	3.25	-	55.6/12500	2.60
100	20S-1	31.75	1 1/4	19.05	18.90	9.53	44.30	30.0	4.00	-	86.87/19500	3.91
120	24S-1	38.10	1 1/2	22.23	25.22	11.10	54.40	36.2	4.80	-	125.1/28100	5.62
140	28S-1	44.45	1 3/4	25.40	25.22	12.70	59.00	42.2	5.60	-	170.27/38300	7.50
160	32S-1	50.80	2	28.58	31.55	14.27	69.60	48.2	6.40	-	222.4/50000	10.10
180	36S-1	57.15	2 1/4	35.71	35.48	17.46	78.60	54.3	7.20	-	281.47/63300	13.45
200	40S-1	63.50	2 1/2	39.68	37.85	19.85	87.20	60.3	8.00	-	347.5/78100	16.15
80-2	16S-2	25.40	1	15.88	15.75	7.92	66.80	24.1	3.25	29.29	111.2/25000	5.15
100-2	20S-2	31.75	1 1/4	19.05	18.90	9.53	80.50	30.1	4.00	35.76	173.74/39000	7.80
120-2	24S-2	38.10	1 1/2	22.23	25.22	11.10	99.70	36.2	4.80	45.44	250.2/56200	11.70
140-2	28S-2	44.45	1 3/4	25.40	25.22	12.70	107.80	42.2	5.60	48.87	340.54/76600	15.14
160-2	32S-2	50.80	2	28.58	31.55	14.27	127.50	48.2	6.40	58.55	444.8/100000	20.14
180-2	36S-2	57.15	2 1/4	35.71	35.48	17.46	144.40	54.3	7.20	65.84	562.94/126600	29.22
200-2	40S-2	63.50	2 1/2	39.68	37.85	19.85	158.80	60.3	8.00	71.55	695.0/156200	32.24
80-3	16S-3	25.40	1	15.88	15.75	7.92	96.10	24.1	3.25	29.29	166.8/37500	7.89
100-3	20S-3	31.75	1 1/4	19.05	18.90	9.53	116.30	30.1	4.00	35.76	260.61/58500	11.77
120-3	24S-3	38.10	1 1/2	22.23	25.22	11.10	145.20	36.2	4.80	45.44	375.3/84300	17.53
140-3	28S-3	44.45	1 3/4	25.40	25.22	12.70	156.80	42.2	5.60	48.87	510.81/114900	22.20
160-3	32S-3	50.80	2	28.58	31.55	14.27	186.60	48.2	6.40	58.55	667.2/150000	30.02
180-3	36S-3	57.15	2 1/4	35.71	35.48	17.46	210.20	54.3	7.20	65.84	844.41/189900	38.22
200-3	40S-3	63.50	2 1/2	39.68	37.85	19.85	230.40	60.3	8.00	71.55	1042.5/234300	49.03
200H-3	40HS-3	63.50	2 1/2	39.68	37.85	19.85	249.60	60.3	9.50	78.31	1042.5/234300	56.74

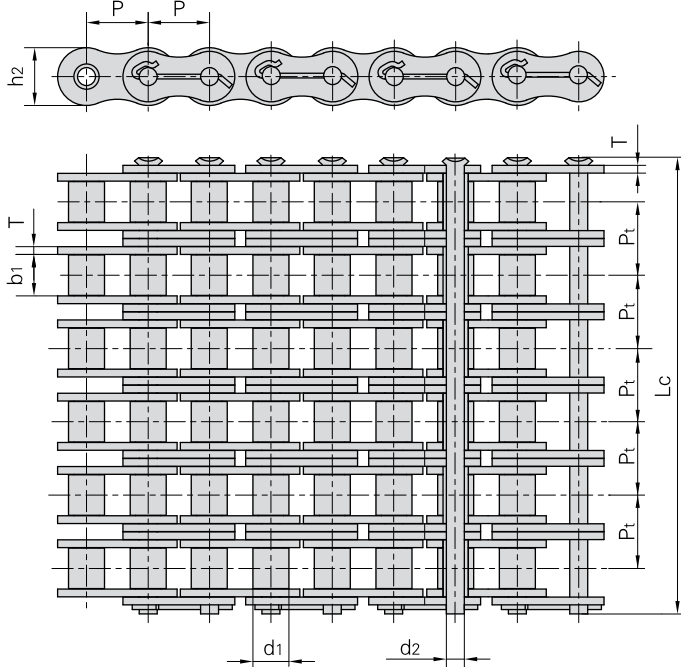
Ölfeldketten

Oil field chains

Chaînes pour l'industrie pétrolière



Multiple strands
 Mehrfach

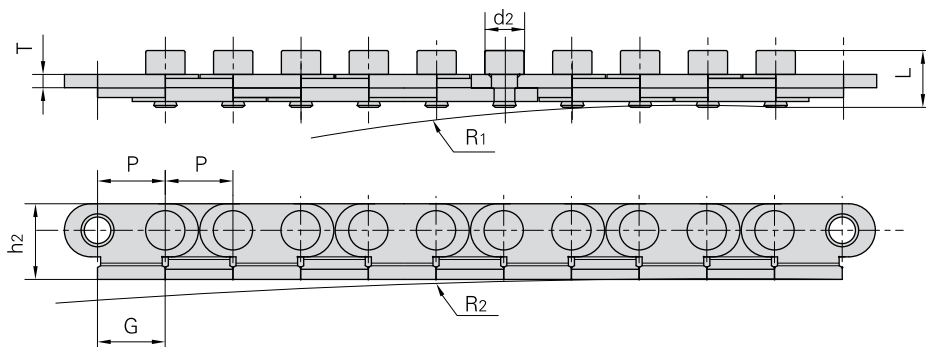


ANSI Chain No.	Donghua Chain No.	Pitch		Roller diameter	Width between inner plates	Pin diameter	Pin length	Inner plate depth	Plate thickness	Transverse pitch	Ultimate tensile strength	Weight per meter
		Teilung		Rollen-durchmesser	Innere Breite	Bolzen-durchmesser	Bolzen-länge	Innen-laschen-höhe	Laschen-dicke	Mitten-abstand	Min. Bruchkraft	Gewicht
		P		d1 max	b1 min	d2 max	Lc max	h2 max	T max	Pt	Q min	q
ANSI Ketten Nr.	Donghua Ketten Nr.	mm	inch	mm	mm	mm	mm	mm	mm	mm	kN/LB	kg/m
80-4	16S-4	25.400	1	15.88	15.75	7.92	122.9	24.1	3.25	29.29	222.4/50000	10.24
100-4	20S-4	31.750	1 1/4	19.05	18.90	9.53	151.5	30.1	4.00	35.76	347.48/78000	15.39
120-4	24S-4	38.100	1 1/2	22.23	25.22	11.10	190.6	36.2	4.80	45.44	500.4/112400	22.19
140-4	28S-4	44.450	1 3/4	25.40	25.22	12.70	205.7	42.2	5.60	48.87	681.08/153200	29.63
160-4	32S-4	50.800	2	28.58	31.55	14.27	245.2	48.2	6.40	58.55	889.6/200000	39.94
200-4	40S-4	63.500	2 1/2	39.68	37.85	19.85	302.0	60.3	8.00	71.55	1390.0/312400	63.60
80-5	16S-5	25.400	1	15.88	15.75	7.92	152.2	24.1	3.25	29.29	278.0/62500	12.79
100-5	20S-5	31.750	1 1/4	19.05	18.90	9.53	187.8	30.1	4.00	35.76	434.35/97500	19.22
120-5	24S-5	38.100	1 1/2	22.23	25.22	11.10	236.1	36.2	4.80	45.44	625.5/140500	27.71
140-5	28S-5	44.450	1 3/4	25.40	25.22	12.70	254.6	42.2	5.60	48.87	851.35/193486	39.20
160-5	32S-5	50.800	2	28.58	31.75	14.27	303.3	48.2	6.40	58.55	1112.0/252724	52.40
80-6	16S-6	25.400	1	15.88	15.75	7.92	181.5	24.1	3.25	29.29	333.6/75000	15.34
100-6	20S-6	31.750	1 1/4	19.05	18.90	9.53	223.6	30.1	4.00	35.76	521.22/117000	23.05
120-6	24S-6	38.100	1 1/2	22.23	25.22	11.10	281.6	36.2	4.80	45.44	750.6/168600	33.24
140-6	28S-6	44.450	1 3/4	25.40	25.22	12.70	303.4	42.2	5.60	48.87	1021.62/229800	44.38
160-6	32S-6	50.800	2	28.58	31.55	14.27	362.3	48.2	6.40	58.55	1334.4/300000	59.83
200-6	40S-6	63.500	2 1/2	39.68	37.85	19.85	445.0	60.3	8.00	71.55	2085.0/468600	95.23
80-8	16S-8	25.400	1	15.88	15.75	7.92	240.1	24.1	3.25	29.29	444.8/100000	20.44
100-8	20S-8	31.750	1 1/4	19.05	18.90	9.53	295.1	30.1	4.00	35.76	694.96/156000	30.71
120-8	24S-8	38.100	1 1/2	22.23	25.22	11.10	372.4	36.2	4.80	45.44	1000.8/224800	44.28
140-8	28S-8	44.450	1 3/4	25.40	25.22	12.70	401.1	42.2	5.60	48.87	1362.16/309578	62.21

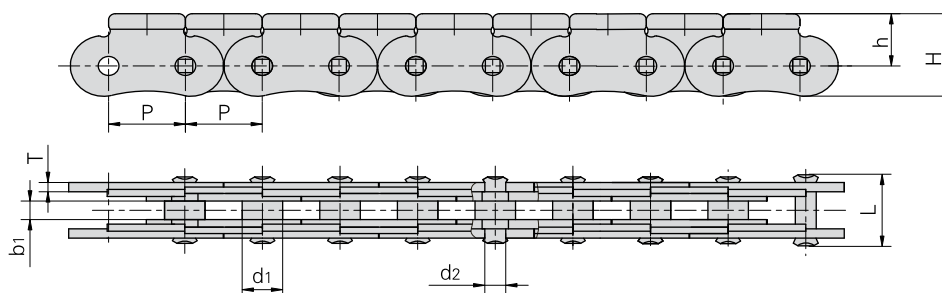
Rückensteife Ketten für Fensteröffner

Anti-sidebow chains for pushing window

Chaînes à dossier rigide pour remonte-verre



Donghua Chain No. <i>Donghua Ketten Nr.</i>	Pitch <i>Teilung</i>	Pin diameter <i>Bolzen-durchmesser</i>	Pin length <i>Bolzen-länge</i>	Plate dimension <i>Laschen-abmessungen</i>			Side bow radius <i>Seitenbogen-radius</i>		Weight per meter <i>Gewicht</i>
	P	d_2 max	L	h_2 max	G max	T max	R_1	R_2	q
	mm	mm	mm	mm	mm	mm	mm	mm	kg/m
P12.75SB	12.75	7.4	10.65	14.25	12.8	2.5	500~800	1000	0.69



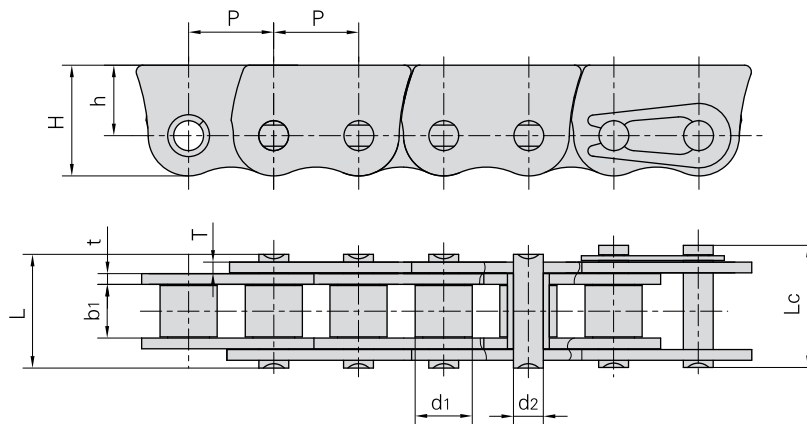
Donghua Chain No. <i>Donghua Ketten Nr.</i>	Pitch <i>Teilung</i>	Roller diameter <i>Rollen-durchmesser</i>	Width between inner plates <i>Innere Breite</i>	Pin diameter <i>Bolzen-durchmesser</i>	Pin length <i>Bolzen-länge</i>	Plate dimension <i>Laschen-abmessungen</i>			Ultimate tensile strength <i>Min. Bruchkraft</i>
	P	d_1 max	b_1	d_2 max	L max	H max	h	T	Q min
	mm	mm	mm	mm	mm	mm	mm	mm	kN
P11.5SS	11.5	6.00	3.00	3.00	10.8	13.5	8.5	1.5/1.5	5.5



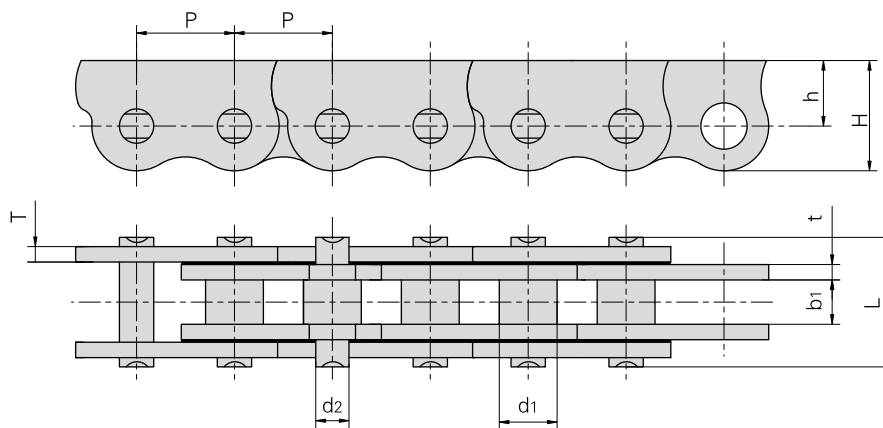
Rückensteife Ketten für Fensteröffner

Anti-sidebow chains for pushing window

Chaînes à dossier rigide pour remonte-glace



Donghua Chain No. Donghua Ketten Nr.	Pitch	Roller diameter	Width between inner plates	Pin diameter	Pin length		Plate dimension			Ultimate tensile strength	Weight per meter
	<i>Teilung</i>	<i>Rollen-durchmesser</i>	<i>Innere Breite</i>	<i>Bolzen-durchmesser</i>	<i>Bolzen-länge</i>	<i>Bolzen-länge</i>	<i>Laschen-abmessungen</i>			<i>Min. Bruchkraft</i>	<i>Gewicht</i>
	P	d1 max	b1 min	d2 max	L max	Lc max	H max	h	t/T max	Q min	q
	mm	mm	mm	mm	mm	mm	mm	mm	mm	kN	kg/m
08BF6	12.7	7.95	7.85	3.96	16.6	17.8	17.0	11.0	1.5	13.8	0.91
415BF4	12.7	7.75	4.88	4.09	16.4	17.8	17.0	11.0	1.3/3.1	12.0	1.07
08BSSF20	12.7	8.51	7.75	4.45	16.7	18.2	16.5	10.5	1.6	12.0	1.06

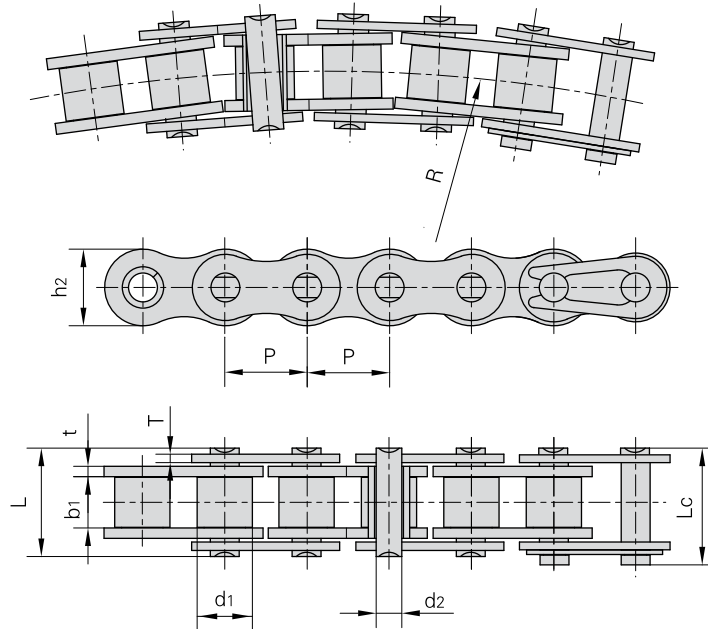


Donghua Chain No. Donghua Ketten Nr.	Pitch	Roller diameter	Width between inner plates	Pin diameter	Pin length	Plate dimension			Ultimate tensile strength
	<i>Teilung</i>	<i>Rollen-durchmesser</i>	<i>Innere Breite</i>	<i>Bolzen-durchmesser</i>	<i>Bolzen-länge</i>	<i>Laschen-abmessungen</i>			<i>Min. Bruchkraft</i>
	P	d1 max	b1	d2 max	L max	H max	h	t/T	Q min
	mm	mm	mm	mm	mm	mm	mm	mm	kN
06CF31SS	9.525	6.35	4.5	3.58	11.5	12.38	7.88	1.3	5.2
P12.7F3SS	12.700	7.50	5.5	4.45	15.6	14.30	8.50	2.03	12.0

Seitenbogenketten

Side bow chains

Chaînes à courbure latérale



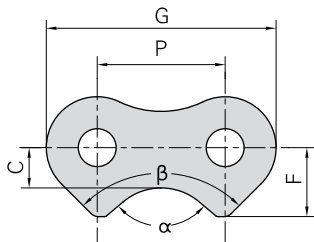
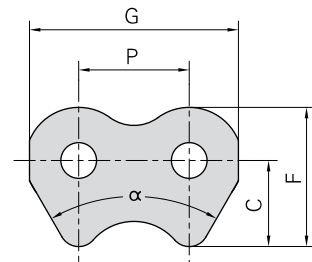
Donghua Chain No. Donghua Ketten Nr.	Pitch	Roller diameter	Width between inner plates	Pin diameter	Pin length		Inner plate depth	Plate thickness	Side bow radius	Ultimate tensile strength	Average tensile strength	Weight per meter
	<i>Teilung</i>	<i>Rollen-durchmesser</i>	<i>Innere Breite</i>	<i>Bolzen-durchmesser</i>	<i>Bolzen-länge</i>	<i>Lc</i>	<i>Innen-laschen-höhe</i>	<i>Laschen-dicke</i>	<i>Seiten-bogen-radius</i>	<i>Min. Bruchkraft</i>	<i>Durchschn. Bruchkraft</i>	<i>Gewicht</i>
	P	d1 max	b1 min	d2 max	L max	Lc max	h2 max	t/T max	R min	Q min	Q0	q
	mm	mm	mm	mm	mm	mm	mm	mm	mm	kN/LB	kN	kg/m
40SB	12.700	7.95	7.85	3.96	16.9	18.1	11.7	1.50	350	13.8/3136	15.2	0.80
43SB	12.700	7.95	7.85	3.45	18.3	19.5	11.7	1.50	305	12.0/2727	13.2	0.64
50SB	15.875	10.16	9.40	4.37	20.7	22.7	14.9	2.03	400	20.6/4681	22.7	1.09
60SB	19.050	11.91	12.57	5.34	26.6	28.4	18.0	2.42	500	15.7/3568	17.3	1.54
63SB	19.050	11.91	12.68	5.08	28.8	30.6	17.2	2.42/2.03	350	12.5/2840	20.0	1.40
80SB	25.400	15.88	15.75	7.19	34.0	37.3	24.0	3.25	711	40.9/9201	42.0	2.60
06BSBF1	9.525	6.35	5.72	3.05	13.5	15.0	8.2	1.30	300	8.0/1818	8.8	0.60
08BSB	12.700	8.51	7.75	3.97	17.4	18.7	11.8	1.60	400	14.0/3182	15.4	0.70
08BSBF1	12.700	8.51	7.75	3.97	16.3	17.6	11.8	1.6/1.2	400	12.8/2909	14.1	0.65
10BSB	15.875	10.16	9.65	4.50	20.1	21.5	14.7	1.70	400	15.6/3545	17.2	0.93
12BSB	19.050	12.07	11.68	5.12	23.1	24.8	16.0	1.85	500	20.5/4658	22.6	1.16
16BSB	25.400	15.88	17.22	7.90	36.5	39.7	21.0	3.7/3.0	500	55.6/12635	64.0	2.53
C2050SB	31.750	10.16	9.40	5.08	21.3	22.6	15.0	2.03	800	21.8/4954	24.0	0.84
C2060SBF1	38.100	11.91	12.57	5.08	26.8	28.8	18.0	2.42	800	21.8/4954	24.0	1.17

Anbauteile für Seitenbogenketten

Side bow chains with attachments

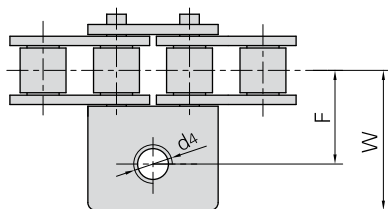
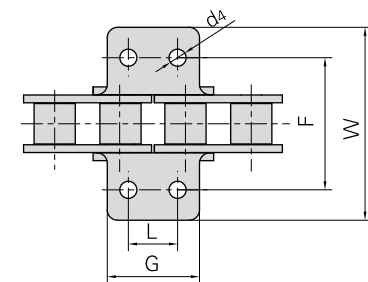
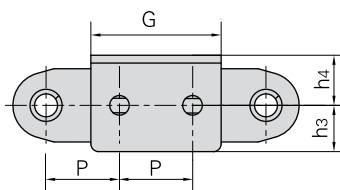
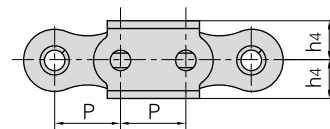
Composants pour chaînes à courbure latérale

Donghua Chain No. <i>Donghua Ketten Nr.</i>	P	G	C	F	α
	mm	mm	mm	mm	
08BSBF5	12.7	24.0	9.9	16.0	60°

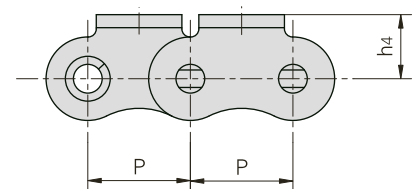


Donghua Chain No. <i>Donghua Ketten Nr.</i>	P	G	C	F	α	β
	mm	mm	mm	mm		
50SBF2	15.875	28.0	5.0	8.56	100°	90°

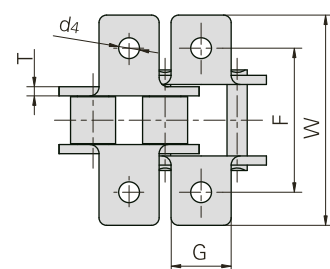
Donghua Chain No. <i>Donghua Ketten Nr.</i>	P	G	L	F	W	h4	d4
	mm	mm	mm	mm	mm	mm	mm
40SBF1	12.7	17.8	9.5	30.2	45.5	7.5	3.3



Donghua Chain No. <i>Donghua Ketten Nr.</i>	P	G	F	W	h3	h4	d4
	mm	mm	mm	mm	mm	mm	mm
63SBF2	19.05	33.9	24.4	36.4	12.0	13.0	M8



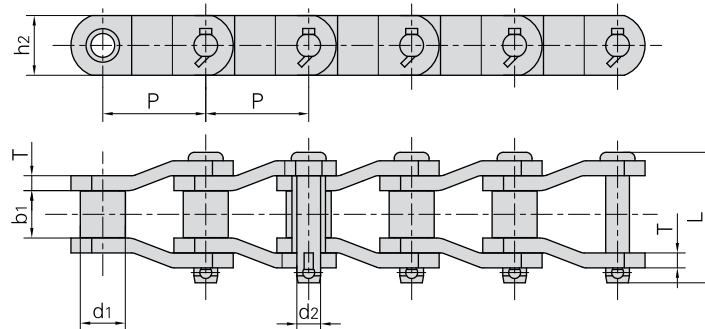
Donghua Chain No. <i>Donghua Ketten Nr.</i>	P	G	F	W	T	h4	d4
	mm	mm	mm	mm	mm	mm	mm
50SBA1	15.875	12.70	31.75	46.2	2.03	10.3	5.5
60SBK1	19.050	15.90	38.10	56.3	2.42	11.9	5.5
10BA1F3SB	15.875	13.00	32.40	51.2	1.70	10.5	6.0
10BA1F5SB	15.875	14.29	31.80	46.2	1.70	10.3	6.0
C2050SBK1	31.750	23.80	31.80	44.6	2.03	11.1	5.5



Rotaryketten

Rotary chains

Rotary chains



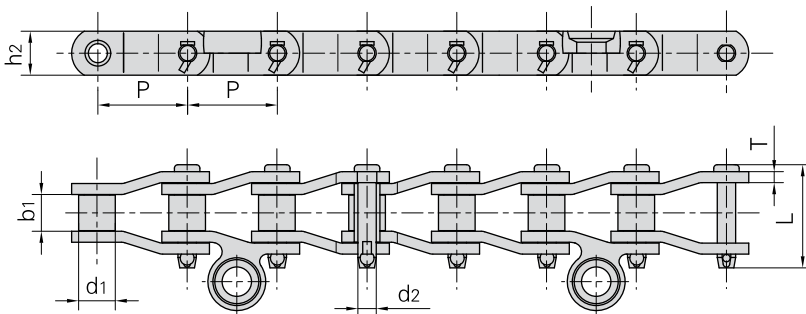
Donghua Chain No. <i>Donghua Ketten Nr.</i>	Pitch	Roller diameter	Width between inner plates	Pin diameter	Pin length	Plate depth	Plate thickness	Ultimate tensile strength	Average tensile strength	Weight per meter
	<i>Teilung</i>	<i>Rollen-durchmesser</i>	<i>Innere Breite</i>	<i>Bolzen-durchmesser</i>	<i>Bolzen-länge</i>	<i>Laschen-höhe</i>	<i>Laschen-dicke</i>	<i>Min. Bruchkraft</i>	<i>Durchschn. Bruchkraft</i>	<i>Gewicht</i>
	P	d1 max	b1 min	d2 max	L max	h2	T	Q min	Q0	q
	mm	mm	mm	mm	mm	mm	mm	kN/LB	kN	kg/m
2010	63.50	31.75	38.10	15.90	89.0	47.8	7.9	250.0/56818	270.0	13.53
2510	78.10	31.75	36.90	16.00	94.8	40.0	8.0	271.0/61590	292.6	10.72
2510H	78.10	31.75	36.90	16.50	95.3	45.0	9.5	280.4/63727	302.8	12.70
2512(MXS3011)	77.90	41.28	39.60	19.05	100.0	57.0	9.7	340.0/77272	367.2	18.40
2512F2	77.90	41.28	38.50	19.05	103.4	60.0	10.0	400.0/90909	420.0	20.28
2814	88.90	44.45	36.60	22.23	117.6	58.0	12.7	471.0/105955	507.6	25.70
3214	103.20	44.45	48.00	22.00	123.5	55.0	13.0	476.0/108180	514.0	23.60
3214F1	103.20	44.45	49.20	23.90	129.0	60.0	14.0	666.4/151450	700.0	26.70
3315	103.45	45.24	49.30	23.85	130.0	63.5	14.2	550.0/125000	594.0	27.71
3618	114.30	57.15	52.30	27.97	138.0	79.2	14.2	760.0/172727	820.8	41.20
4020	127.00	63.50	69.90	31.78	165.7	88.9	15.7	987.0/224300	1069.2	48.60
2184	152.40	76.20	35.00	22.20	96.0	51.0	9.5	330.0/75000	378.0	18.17
MXS882	66.27	22.23	28.58	11.10	68.5	28.5	6.4	115.6/26272	124.8	5.30
MXS3075	78.10	31.75	38.10	16.46	93.5	44.5	9.7	334.0/75909	360.7	13.45
MXS1242	103.20	44.45	49.20	22.23	124.5	57.0	12.8	623.0/141591	672.8	24.63
SS588	66.27	22.23	28.60	11.11	63.7	28.6	6.4	130.0/29545	144.0	5.46
SS588F1	66.27	22.23	27.00	11.11	62.0	28.6	6.4	88.9/20205	97.8	5.39
SS588F2	66.27	22.23	27.00	9.53	59.0	25.4	5.6	84.46/19195	91.2	4.26
SS568H	77.90	41.30	39.70	19.05	97.6	57.0	9.5	340.0/77272	367.2	19.80
SS40H(P)	78.11	31.75	38.10	15.88	97.0	41.5	9.5	250.0/56818	280.0	12.60
SS124	103.20	44.45	49.20	22.23	127.2	57.0	12.7	560.0/127272	590.0	22.57
SS1245	103.45	45.20	49.60	23.80	129.4	60.0	14.5	550/125000	605.0	31.19
SS635H	114.30	57.20	52.40	27.94	137.0	76.2	14.5	760/172727	836.0	37.80

Rotaryketten

Rotary chains

Rotary chains

Donghua Chain No. <i>Donghua Ketten Nr.</i>	Pitch	Roller diameter	Width between inner plates	Pin diameter	Pin length	Plate depth	Plate thickness	Ultimate tensile strength	Average tensile strength	Weight per meter
	<i>Teilung</i>	<i>Rollen-durchmesser</i>	<i>Innere Breite</i>	<i>Bolzen-durchmesser</i>	<i>Bolzen-länge</i>	<i>Laschen-höhe</i>	<i>Laschen-dicke</i>	<i>Min. Bruchkraft</i>	<i>Durchschn. Bruchkraft</i>	<i>Gewicht</i>
	P	d1 max	b1 min	d2 max	L max	h2	T	Q min	Q0	q
	mm	mm	mm	mm	mm	mm	mm	kN/LB	kN	kg/m
2010H	63.50	31.75	31.75	15.88	97.0	41.5	9.5	250/56815	275.0	11.91
SS2065	50.80	28.58	32.50	15.05	79.5	38.0	7.9	220/49998	242.0	12.14
4020SH	127.00	63.50	69.90	31.78	165.7	88.9	15.7	1332.8/302893	1246.0	48.60
2814F1	88.90	44.45	36.90	22.23	117.6	60.0	13.5	556/126358	611.0	24.20
2814F2	88.90	44.45	38.60	22.23	119.6	58.0	12.7	559/127040	614.9	25.40
SH1245	103.45	45.30	49.60	23.80	130.0	60.0	14.5	722/164084	794.0	31.00
P153	153.619	34.93	53.98	17.48	107.0	44.5	9.5	150/34090	165.0	10.90
P153F2	153.619	34.93	53.98	17.48	100.0	44.5	8.0	150/34090	165.0	9.80
2510F1	78.10	31.75	36.60	16.00	88.9	38.1	8.0	124.5/28295	137.0	9.93
SS635HF1	114.30	57.20	52.40	27.94	137.0	76.2	17.5	964/219085	1060.0	37.90
RO6042F1	152.40	76.20	76.30	44.00	184.0	120.0	19.0	1500/340900	1600.0	77.03
SS568HF2	77.90	31.75	39.70	19.05	98.5	57.0	9.5	447/101588	491.0	16.90
RO1205	127.00	63.50	65.00	31.75	147.6	82.5	14.2	872/198177	955.0	42.93
2510F2	78.10	31.75	36.60	15.75	88.0	38.1	8.0	225/51135	248.0	11.70
*MX603	76.20	22.50	38.00	14.00	88.0	40.0	8.0	147/33408	161.0	9.20
4824	152.40	76.20	74.60	38.10	186.0	100.0	20.0	1600/363632	1700.0	69.80
R3112	50.80	28.70	31.00	14.20	73.9	41.4	6.4	168.9/38385	185.0	10.70
MXS3075F1	78.10	33.00	38.10	16.46	94.5	44.5	9.7	334/75907	365.8	14.00
MXS3075F2	78.10	31.75	38.10	17.81	90.0	45.0	8.0	333.2/75726	365.8	12.20



Donghua Chain No. <i>Donghua Ketten Nr.</i>	Pitch	Roller diameter	Width between inner plates	Pin diameter	Pin length	Plate depth	Plate thickness	Ultimate tensile strength	Average tensile strength
	<i>Teilung</i>	<i>Rollen-durchmesser</i>	<i>Innere Breite</i>	<i>Bolzen-durchmesser</i>	<i>Bolzen-länge</i>	<i>Laschen-höhe</i>	<i>Laschen-dicke</i>	<i>Min. Bruchkraft</i>	<i>Durchschn. Bruchkraft</i>
	P	d1 max	b1 min	d2 max	L max	h2	T	Q min	Q0
	mm	mm	mm	mm	mm	mm	mm	kN/LB	kN
SS40SL	78.105	31.78	31.75	15.90	89.15	38.0	9.5	250.0/56818	266.88

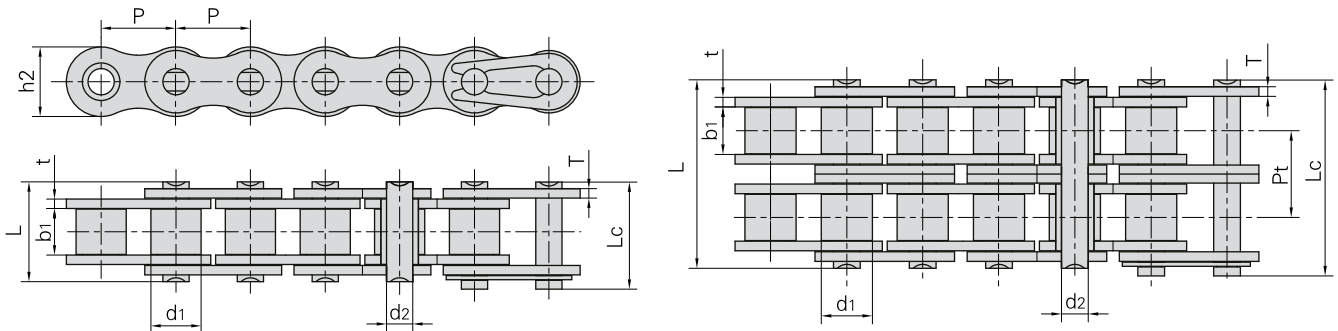
*Bushing chain: d1 in the table indicate the external diameter of the bushing

*Buchsenketten: In dieser Tabelle zeigt d1 den Außendurchmesser der Buchsen.

Selbstschmierungsrollenketten

Self-lubrication roller chains

Chaînes à rouleaux autolubrifiées



Donghua Chain No. <i>Donghua Ketten Nr.</i>	Pitch	Roller diameter	Width between inner plates	Pin diameter	Pin length		Inner plate depth	Plate thickness	Transverse pitch	Ultimate tensile strength	Weight per meter
	<i>Teilung</i>	<i>Rollen-durchmesser</i>	<i>Innere Breite</i>	<i>Bolzen-durchmesser</i>	<i>Bolzen-länge</i>		<i>Innen-laschen-höhe</i>	<i>Laschen-dicke</i>	<i>Mitten-abstand</i>	<i>Min. Bruchkraft</i>	<i>Gewicht</i>
	P mm	d1 max mm	b1 min mm	d2 max mm	L max mm	Lc max mm	h2 max mm	t/T max mm	Pt mm	Q min kN/LB	q kg/m
08BSLR	12.700	8.51	7.75	4.45	16.7	18.2	11.80	1.6	-	18.0/4091	0.69
08BSLRF1	12.700	8.51	7.75	4.45	17.3	18.7	11.80	1.6	-	18.0/4091	0.72
10BSLR	15.875	10.16	9.65	5.08	19.5	20.9	14.70	1.7	-	22.4/5091	0.93
10BSLRF1	15.875	10.16	9.65	5.08	19.9	21.6	14.70	1.7	-	22.4/5091	0.97
10BSLRF2	15.875	10.16	9.65	5.08	19.5	20.9	14.70	1.7	-	14.0/3181	1.20
C10BSLR	15.875	10.16	9.65	5.08	19.5	20.9	14.70	1.7	-	22.4/5089	1.06
12BSLR	19.050	12.07	11.68	5.72	22.5	24.2	16.00	1.85	-	29.0/6591	1.15
12BSLRF1	19.050	12.07	11.68	5.72	22.9	24.7	16.00	1.85	-	29.0/6591	1.19
C12BSLR	19.050	12.07	11.68	5.72	22.9	24.9	16.00	1.85	-	29.0/6589	1.32
16BSLR	25.400	15.88	17.02	8.28	36.1	37.4	21.00	4.15/3.1	-	60.0/13636	2.71
16BSLRF1	25.400	15.88	17.02	8.28	36.7	39.7	21.00	4.15/3.1	-	60.0/13636	2.73
C16BF1SLR	25.400	15.88	17.02	8.28	36.1	37.4	24.00	4.15	-	60.0/13633	3.38
C16BSLRF1	25.400	15.88	17.02	8.28	36.7	39.7	21.00	4.15/3.1	-	60.0/13633	2.98
C16BSLRF2	25.400	15.88	17.02	8.28	36.7	38.2	24.00	4.15/3.1	-	60.0/13633	3.39
40SLR	12.700	7.95	7.85	3.96	16.6	17.8	12.00	1.5	-	14.1/3205	0.62
50SLR	15.875	10.16	9.40	5.08	20.7	22.2	15.09	2.03	-	22.0/5045	1.02
60SLR	19.050	11.91	12.57	5.94	27.5	29.3	18.00	3.25/2.42	-	34.2/7772	1.65
60HSLR	19.050	11.91	12.57	5.94	29.2	31.0	18.00	3.25	-	31.8/7227	1.95
C60SLR	19.050	11.91	12.57	5.94	25.9	27.7	18.20	2.42	-	31.8/7227	1.83
80SLR	25.400	15.88	15.75	7.92	32.7	35.0	24.00	3.25	-	56.7/12886	2.60
80HSLR	25.400	15.88	15.75	7.92	36.2	38.9	24.00	4.0	-	56.7/12886	3.03
C80SLR	25.400	15.88	15.75	7.92	32.7	35.0	24.00	3.25	-	56.7/12886	3.10
100SLR	31.750	19.05	18.90	9.53	40.4	44.7	30.00	4.0	-	86.7/19699	3.94
08BSLR-2	12.700	8.51	7.75	4.45	31.2	32.2	11.80	1.6	13.92	32.0/7273	1.34
10BSLR-2	15.875	10.16	9.65	5.08	36.1	37.5	14.70	1.7	16.59	44.5/10114	1.84
12BSLR-2	19.050	12.07	11.68	5.72	42.0	43.6	16.00	1.85	19.46	57.8/13136	2.31
C12BSLR-2	19.050	12.07	11.68	5.72	42.0	43.6	16.00	1.85	19.46	57.8/13136	2.31
16BSLR-2	25.400	15.88	17.02	8.28	68.0	69.3	21.00	4.15/3.1	31.88	106.0/24091	5.42
40SLR-2	12.700	7.95	7.85	3.96	31.0	32.2	12.00	1.5	14.38	28.2/6409	1.12
50SLR-2	15.875	10.16	9.40	5.08	38.9	40.4	15.09	2.03	18.11	44.4/10091	2.00
60SLR-2	19.050	11.91	12.57	5.94	50.3	52.1	18.00	3.25/2.42	22.78	68.4/15544	3.21
80SLR-2	25.400	15.88	15.75	7.92	62.7	64.3	24.00	3.25	29.29	113.4/25773	5.15
100SLR-2	31.750	19.05	18.90	9.53	76.4	80.5	30.00	4.0	35.76	173.4/39399	7.89



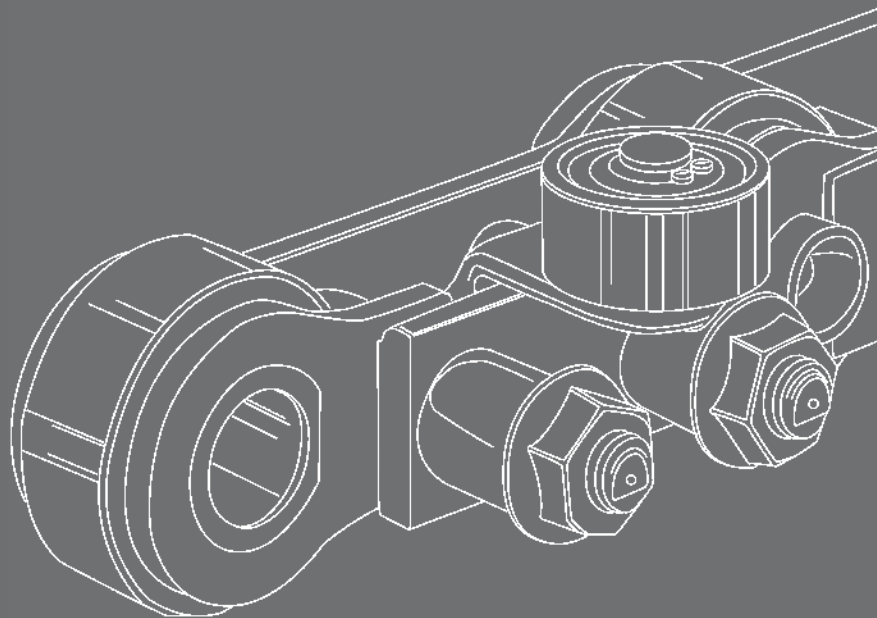
KÖBO-DONGHUA

The Chain People

Kettenkupplungen

Chain couplings

Accouplements par
chaînes à rouleaux



Zertifiziert nach DIN EN ISO 9001

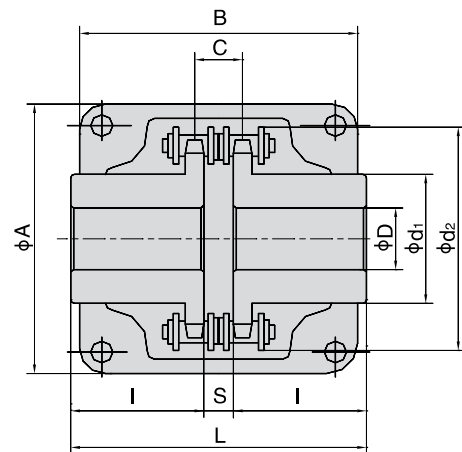
Kettenkupplungen

Chain couplings

Accouplements par chaînes à rouleaux

The Donghua Chain coupling is composed of a duplex roller chain and a pair of coupling sprockets. The function of connection and detachment is done by the joint of chain. It has the characteristic of compact and powerful, excellent durability, safe and smart, simple installation and easy alignment. The Donghua Chain coupling is suitable for a wide range of coupling applications.

Die Donghua Kettenkupplung besteht aus einer Zweifach-Rollenkette und einem Paar Kupplungskettenräder, der Ein- und Ausbau erfolgt durch die Kette. Solche Kettenkupplung hat folgende Vorteile: kompakte Struktur, große Leistungsübertragung, Zuverlässigkeit, Betriebssicherheit und schönes Aussehen. Sie ist leicht zu montieren und fluchten. Die Donghua Kettenkupplung ist geeignet für vielen Kupplungsanwendungen.

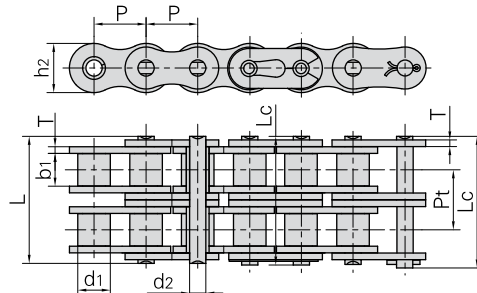


Chain coupling No. <i>Kettenkupplung Nr.</i>	Chain No. <i>Ketten Nr.</i>	Bore Dia <i>Bohrungsdurchmesser</i>		Dimension <i>Abmessungen</i>						Inertia <i>Trägheit</i>	Approx Weight <i>Gewicht ca.</i>	Casing <i>Gehäuse</i>		
		Min	Max	L	I	S	d ₁	d ₂	C			Dimension <i>Abmessungen</i>		Approx Weight <i>Gewicht ca.</i>
		mm	mm	mm	mm	mm	mm	mm	mm			A mm	B mm	
DH C-3012	06B-2X12	12	16	64.8	29.8	5.2	25	45	10.2	0.233	0.4	69	63	0.3
DH C-4012	40-2X12	12	22	79.4	36.0	7.4	35	61	14.4	1.020	0.8	77	72	0.3
DH C-4014	40-2X14	12	28	79.4	36.0	7.4	43	69	14.4	1.924	1.1	84	75	0.4
DH C-4016	40-2X16	14	32	87.4	40.0	7.4	50	77	14.4	3.285	1.4	92	75	0.4
DH C-5014	50-2X14	16	35	99.7	45.0	9.7	53	86	18.1	6.010	2.2	101	85	0.5
DH C-5016	50-2X16	16	40	99.7	45.0	9.7	60	96	18.1	9.720	2.7	111	85	0.6
DH C-5018	50-2X18	16	45	99.7	45.0	9.7	70	106	18.1	15.420	3.8	122	85	0.8
DH C-6018	60-2X18	20	56	123.5	56.0	11.5	85	128	22.8	40.210	6.2	142	106	1.2
DH C-6020	60-2X20	20	60	123.5	56.0	11.5	98	140	22.8	62.870	7.8	158	105	1.6
DH C-6022	60-2X22	20	71	123.5	56.0	11.5	110	152	22.8	93.450	10.4	168	117	1.8
DH C-8018	80-2X18	20	80	141.2	63.0	15.2	110	170	29.3	142.030	12.7	190	129	2.5
DH C-8020	80-2X20	20	90	145.2	65.0	15.2	120	186	29.3	204.900	16.0	210	137	2.9
DH C-8022	80-2X22	20	100	157.2	71.0	15.2	140	202	29.3	341.170	20.2	226	137	3.6
DH C-10020	100-2X20	25	110	178.8	80.0	18.8	160	233	35.8	646.290	33.0	281	153	4.6
DH C-12018	120-2X18	35	125	202.7	90.0	22.7	170	256	45.4	1075.710	47.0	307	181	6.2
DH C-12022	120-2X22	35	140	222.7	100.0	22.7	210	304	45.4	2454.500	72.0	357	181	8.0

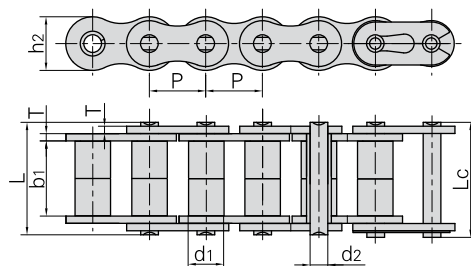
Kupplungsketten

Coupling chains

Chaînes d'accouplement



ANSI Chain No. ANSI Ketten Nr.	Pitch	Roller diameter	Width between inner plates	Pin diameter	Pin length		Inner plate depth	Plate thickness	Transverse pitch	Ultimate tensile strength	Average tensile strength	Weight per piece
	Teilung	Rollen-durchmesser	Innere Breite	Bolzen-durchmesser	Bolzen-länge		Innen-laschen-höhe	Laschen-dicke	Mitten-abstand	Min. Bruchkraft	Durchschn. Bruchkraft	Gewicht
	P mm	d1 max mm	b1 min mm	d2 max mm	L max mm	Lc max mm	h2 max mm	T max mm	Pt mm	Q min kN/LB	Q0 kN	q kg/pc
4012	12.700	7.95	7.85	3.96	31.0	32.2	12.00	1.50	14.38	28.2/6409	35.9	0.16
4014	12.700	7.95	7.85	3.96	31.0	32.2	12.00	1.50	14.38	28.2/6409	35.9	0.19
4016	12.700	7.95	7.85	3.96	31.0	32.2	12.00	1.50	14.38	28.2/6409	35.9	0.21
5014	15.875	10.16	9.40	5.08	38.9	40.4	15.09	2.03	18.11	44.4/10091	58.1	0.49
5016	15.875	10.16	9.40	5.08	38.9	40.4	15.09	2.03	18.11	44.4/10091	58.1	0.56
5018	15.875	10.16	9.40	5.08	38.9	40.4	15.09	2.03	18.11	44.4/10091	58.1	0.63
6018	19.050	11.91	12.57	5.94	48.8	50.5	18.00	2.42	22.78	63.6/14455	82.1	1.00
6020	19.050	11.91	12.57	5.94	48.8	50.5	18.00	2.42	22.78	63.6/14455	82.1	1.11
6022	19.050	11.91	12.57	5.94	48.8	50.5	18.00	2.42	22.78	63.6/14455	82.1	1.22
8018	25.400	15.88	15.75	7.92	62.7	64.3	24.00	3.25	29.29	113.4/25773	141.8	2.35
8020	25.400	15.88	15.75	7.92	62.7	64.3	24.00	3.25	29.29	113.4/25773	141.8	2.62
8022	25.400	15.88	15.75	7.92	62.7	64.3	24.00	3.25	29.29	113.4/25773	141.8	2.88
10018	31.750	19.05	18.90	9.53	76.4	80.5	30.00	4.00	35.76	177.0/40227	219.4	4.95
10022	31.750	19.05	18.90	9.53	76.4	80.5	30.00	4.00	35.76	177.0/40227	219.4	4.95
12018	38.100	22.23	25.22	11.10	95.8	99.7	35.70	4.80	45.44	254.0/57727	314.9	8.14
12022	38.100	22.23	25.22	11.10	95.8	99.7	35.70	4.80	45.44	254.0/57727	314.9	8.14



Donghua Chain No. Donghua Ketten Nr.	Pitch	Roller diameter	Width between inner plates	Pin diameter	Pin length		Inner plate depth	Plate thickness	Ultimate tensile strength	Average tensile strength	Weight per meter
	Teilung	Rollen-durchmesser	Innere Breite	Bolzen-durchmesser	Bolzen-länge		Innen-laschen-höhe	Laschen-dicke	Min. Bruchkraft	Durchschn. Bruchkraft	Gewicht
	P mm	d1 max mm	b1 min mm	d2 max mm	L max mm	Lc max mm	h2 max mm	T max mm	Q min kN/LB	Q0 kN	q kg/m
06BF27	9.525	6.35	18.80	3.28	26.5	28.2	8.20	1.30	9.0/2045	9.63	0.770
06BF31	9.525	6.35	16.40	3.28	23.4	24.4	8.20	1.30	9.0/2045	9.63	0.660
08AF36	12.700	7.95	21.70	3.96	30.8	32.1	12.00	1.50	13.8/3135.36	16.20	1.070
08BF97	12.700	8.51	15.50	4.45	24.8	26.2	11.80	1.60	18.0/4989.6	19.20	0.980

Kupplungsketten

Coupling chains

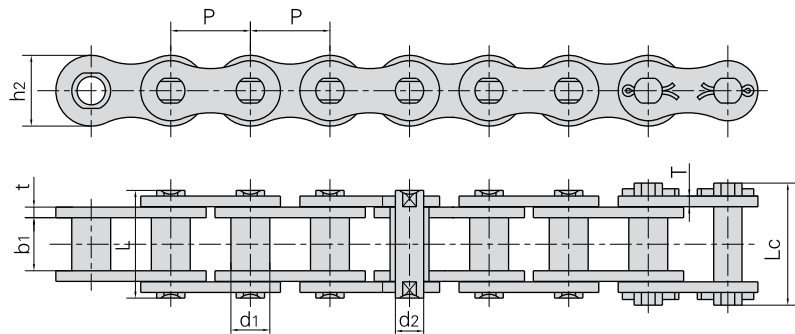
Chaînes d'accouplement

Donghua Chain No. <i>Donghua Ketten Nr.</i>	Pitch	Roller diameter	Width between inner plates	Pin diameter	Pin length		Inner plate depth	Plate thickness	Ultimate tensile strength	Average tensile strength	Weight per meter
	<i>Teilung</i>	<i>Rollen-durchmesser</i>	<i>Innere Breite</i>	<i>Bolzen-durchmesser</i>	<i>Bolzen-länge</i>		<i>Innen-laschen-höhe</i>	<i>Laschen-dicke</i>	<i>Min. Bruchkraft</i>	<i>Durchschn. Bruchkraft</i>	<i>Gewicht</i>
	P	d1 max	b1 min	d2 max	L max	Lc max	h2 max	T max	Q min	Q0	q
	mm	mm	mm	mm	mm	mm	mm	mm	kN/LB	kN	kg/m
10AF13	15.875	10.16	16.31	5.08	27.6	29.1	15.09	2.03	22.20/5045	27.50	1.350
12AF2	19.050	11.91	19.10	5.94	32.6	34.4	18.00	2.42	31.80/7227	38.20	1.900
12AF6	19.050	11.91	18.80	5.94	31.9	33.5	18.00	2.42	31.80/7227	38.20	1.870
12AF26	19.050	11.91	19.36	5.94	31.9	33.5	18.00	2.42	31.80/7227	38.20	1.940
12AF54	19.050	11.91	19.50	5.84	31.9	31.9	18.00	2.29	31.10/7066	38.20	1.607
12AF34	19.050	11.91	19.00	5.94	31.9	31.9	18.00	2.42	31.10/7066	38.20	1.860
16AF25	25.400	15.88	25.58	7.92	42.4	43.9	24.00	3.25	56.70/12886	63.50	3.260
16AF40	25.400	15.88	70.00	7.92	87.6	91.1	24.00	3.25	56.70/12882	63.50	5.780

Buchsenketten

Bushing chains

Chaînes tubulaires



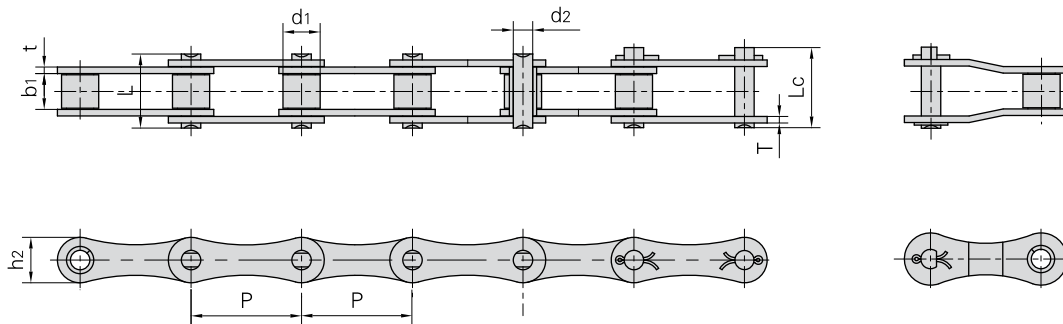
Donghua Chain No. <i>Donghua Ketten Nr.</i>	Pitch	Bush diameter	Width between inner plates	Pin diameter	Pin length		Plate depth	Plate thickness	Ultimate tensile strength	Average tensile strength	Weight per meter
	<i>Teilung</i>	<i>Buchsen-durchmesser</i>	<i>Innere Breite</i>	<i>Bolzen-durchmesser</i>	<i>Bolzen-länge</i>		<i>Laschen-höhe</i>	<i>Laschen-dicke</i>	<i>Min. Bruchkraft</i>	<i>Durchschn. Bruchkraft</i>	<i>Gewicht</i>
	P	d1 max	b1 min	d2 max	L max	Lc max	h2 max	t/T max	Q min	Q0 min	q
	mm	mm	mm	mm	mm	mm	mm	mm	kN/LB	kN	kg/m
P19.05	19.05	12.7	12.5	7.5	31.6	33.6	20.0	4.15/3.25	50.0/11248	55.0	2.56
P20-B	20.00	12.0	16.0	8.0	33.0	36.0	18.0	3.00	25.0/5624	27.5	2.14
P20F3-B	20.00	12.0	16.0	8.0	33.0	36.0	19.0	3.00	25.0/5624	27.5	2.03
P25-B	25.00	15.0	18.0	10.0	35.0	39.0	24.0	3.00	31.5/7086	34.7	3.17
P25F1-B	25.00	15.0	18.0	10.0	35.0	39.0	24.0	3.00	31.5/7086	34.7	2.67
P30F2-B	30.00	17.0	20.0	11.0	41.0	45.4	28.0	4.00	40.0/8998	44.0	4.25
P30F6-B	30.00	17.0	20.0	11.0	42.4	46.0	28.0	4.00	40.0/8998	44.0	3.75
P35F2-B	35.00	18.0	22.0	12.0	44.5	48.0	30.0	4.00	50.0/11248	55.0	4.33
P35F5-B	35.00	18.0	22.0	12.0	44.5	48.0	30.0	4.00	50.0/11248	55.0	3.77
P36-B	36.00	18.0	22.0	12.5	44.5	49.0	30.0	4.00	60.0/13497	66.0	4.20
P40-B	40.00	20.0	25.0	14.0	52.4	57.0	35.0	5.00	63.0/14172	69.3	5.43
P45-B	45.00	22.0	30.0	16.0	62.0	66.5	40.0	6.00	80.0/17996	88.0	7.54
P50-B	50.00	26.0	35.0	18.0	68.0	73.5	44.0	6.00	100.0/22495	110.0	8.90
*P50.8F7	50.80	18.5	25.0	14.5	53.5	57.5	40.0	5.00	120.0/26994	132.0	6.30
P55-B	55.00	30.0	45.0	20.0	88.0	93.5	49.0	8.00	125.0/28119	137.5	13.92
P60-B	60.00	32.0	50.0	22.0	94.1	99.5	55.0	8.00	160.0/35993	176.0	15.20

*Straight side plates
 *Gerade Laschen

Langgliedrige Rollenketten

Extended pitch roller chains

Chaînes à rouleaux à pas long

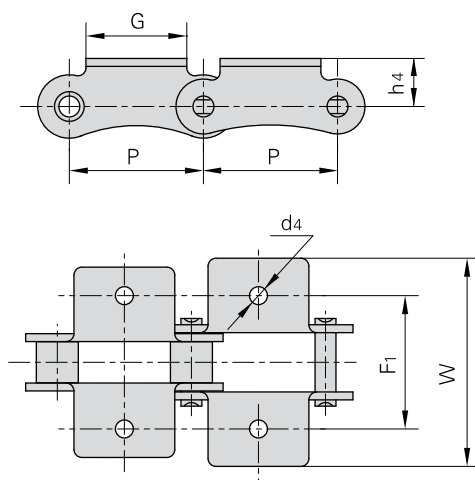
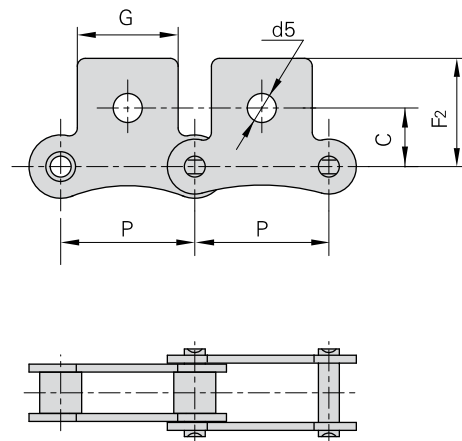


DIN/ISO Chain No.	ANSI Chain No.	Pitch	Roller diameter	Width between inner plates	Pin diameter	Pin length		Inner plate depth	Plate thickness	Ultimate tensile strength	Average tensile strength	Weight per meter
		<i>Teilung</i>	<i>Rollen- durch- messer</i>	<i>Innere Breite</i>	<i>Bolzen- durch- messer</i>	<i>Bolzen- länge</i>		<i>Innen- laschen- höhe</i>	<i>Laschen- dicke</i>	<i>Min. Bruchkraft</i>	<i>Durchschn. Bruchkraft</i>	<i>Gewicht</i>
		P	d ₁ max	b ₁ min	d ₂ max	L max	L _c max	h ₂ max	t/T max	Q min	Q ₀	q
		mm	mm	mm	mm	mm	mm	mm	mm	kN/LB	kN	kg/m
208A	2040	25.40	7.95	7.85	3.96	16.6	17.8	12.0	1.50	14.1/3205	16.7	0.42
208B		25.40	8.51	7.75	4.45	16.7	18.2	11.8	1.60	18.0/4091	19.4	0.45
210A	2050	31.75	10.16	9.40	5.08	20.7	22.2	15.0	2.03	22.2/5045	28.1	0.73
210B		31.75	10.16	9.65	5.08	19.5	20.9	14.7	1.70	22.4/5091	27.5	0.65
212A	2060	38.10	11.91	12.57	5.94	25.9	27.7	18.0	2.42	31.8/7227	36.8	1.02
212B		38.10	12.07	11.68	5.72	22.5	25.2	16.0	1.85	29.0/6591	32.2	0.76
216A	2080	50.80	15.88	15.75	7.92	32.7	36.5	24.0	3.25	56.7/12886	65.7	1.70
216AH	2080H	50.80	15.88	15.75	7.92	36.2	39.4	24.0	4.00	56.7/12886	70.0	2.17
216B		50.80	15.88	17.02	8.28	36.1	39.1	21.0	4.15/3.1	60.0/13636	72.8	1.75
220A	2100	63.50	19.05	18.90	9.53	40.4	44.7	30.0	4.00	88.5/20114	102.6	2.55
220B		63.50	19.05	19.56	10.19	41.3	45.0	26.4	4.5/3.5	95.0/14773	106.7	2.62
224A	2120	76.20	22.23	25.22	11.10	50.3	54.3	35.7	4.80	127.0/28864	147.3	4.06
224B		76.20	25.40	25.40	14.63	53.4	57.8	33.2	6.0/4.8	160.0/36364	178.0	4.70
228B		88.90	27.94	30.99	15.90	65.1	69.5	36.7	7.5/6.0	200.0/45455	222.0	6.23
232B		101.60	29.21	30.99	17.81	66.0	71.0	42.0	7.0/6.0	250.0/56818	277.5	6.72

Anbauteile für langgliedrige Rollenketten

Extended pitch roller chains with attachments

Chaînes à rouleaux à pas long avec pattes d'attache

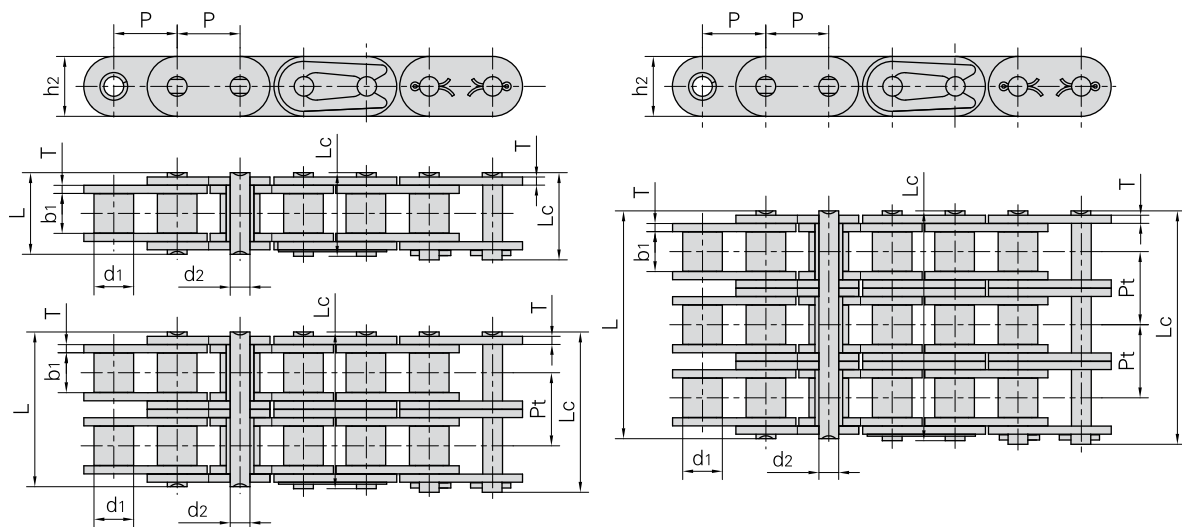

K-1

SK-1


DIN/ISO Chain No.	ANSI Chain No.	P	G	F ₁	W	h ₄	d ₄	C	F ₂	d ₅
<i>DIN/ISO Ketten Nr.</i>	<i>ANSI Ketten Nr.</i>	mm	mm	mm	mm	mm	mm	mm	mm	mm
208A	2040	25.40	19.1	25.4	39.6	9.1	3.4	11.1	20.5	5.5
210A	2050	31.75	23.8	31.8	49.0	11.1	5.5	14.3	25.0	6.6
212A	2060	38.10	28.6	42.9	67.8	14.7	5.5	17.5	32.9	9.2
216A	2080	50.80	38.1	55.6	87.8	19.1	6.8	22.2	43.5	11.0
220A	2100	63.50	47.6	66.6	107.5	23.4	9.2	28.6	50.4	13.0
224A	2120	76.20	57.2	79.3	121.4	27.8	10.5	33.3	55.5	15.0
208B		25.40	23.2	25.4	39.6	9.1	4.5	11.1	20.5	5.5
210B		31.75	23.8	31.8	49.0	11.1	5.5			
212B		38.10	35.0	38.1	57.0	14.7	6.6			
216B		50.80	44.0	50.8	84.0	19.1	6.6			
220B		63.50	52.0	63.5	104.0	23.4	8.4			
224B		76.20	60.0	76.2	120.0	27.8	10.5			

Rollenketten mit geraden Laschen (A Serie)

Roller chains with straight side plates (A series)

Chaînes à rouleaux à plaques droites (Série A)



DIN/ISO Chain No.	ANSI Chain No.	Pitch	Roller diameter	Width between inner plates		Pin diameter		Pin length		Inner plate depth	Plate thickness	Transverse pitch	Ultimate tensile strength	Average tensile strength	Weight per meter
		Teilung	Rollen-durchmesser	Innere Breite	Bolzen-durchmesser	Bolzen-länge	Min. Bruchkraft	Durchschn. Bruchkraft							
DIN/ISO Ketten Nr.	ANSI Ketten Nr.	P	d1 max	b1 min	d2 max	L max	Lc max	h2 max	T max	Pt	Q min	Q0	q		
		mm	mm	mm	mm	mm	mm	mm	mm	mm	kN/LB	kN	kg/m		
	*C35-1	9.525	5.08	4.77	3.58	13.3	14.3	9.00	1.30	—	7.9/1795	10.8	0.41		
C08A-1	C40-1	12.700	7.95	7.85	3.96	16.6	18.8	12.00	1.50	—	14.1/3273	17.5	0.73		
C10A-1	C50-1	15.875	10.16	9.40	5.08	20.7	23.3	15.09	2.03	—	22.2/5045	29.4	1.23		
C12A-1	C60-1	19.050	11.91	12.57	5.94	25.9	28.3	18.0/18.2	2.42	—	31.8/7227	41.5	1.81/1.83		
C16A-1	C80-1	25.400	15.88	15.75	7.92	32.7	36.5	24.00	3.25	—	56.7/12886	69.4	3.09		
C20A-1	C100-1	31.750	19.05	18.90	9.53	40.4	44.7	30.00	4.00	—	88.5/20114	109.2	4.56		
C24A-1	C120-1	38.100	22.23	25.22	11.10	50.3	54.3	35.70	4.80	—	127.0/28864	156.3	6.86		
C28A-1	C140-1	44.450	25.40	25.22	12.70	54.4	59.0	41.00	5.60	—	172.4/39182	212.0	8.49		
C32A-1	C160-1	50.800	28.58	31.55	14.27	64.8	69.6	47.80	6.40	—	226.8/51545	278.9	11.50		
C08A-2	C40-2	12.700	7.95	7.85	3.96	31.0	33.2	12.00	1.50	14.38	28.2/6409	35.9	1.43		
C10A-2	C50-2	15.875	10.16	9.40	5.08	38.9	41.4	15.09	2.03	18.11	44.4/10091	58.1	2.42		
C12A-2	C60-2	19.050	11.91	12.57	5.94	48.8	51.1	18.0/18.2	2.42	22.78	63.6/14455	82.1	3.58/3.62		
C16A-2	C80-2	25.400	15.88	15.75	7.92	62.7	65.8	24.00	3.25	29.29	113.4/25773	141.8	6.12		
C20A-2	C100-2	31.750	19.05	18.90	9.53	76.4	80.5	30.00	4.00	35.76	177.0/40227	219.4	9.08		
C24A-2	C120-2	38.100	22.23	25.22	11.10	95.8	99.7	35.70	4.80	45.44	254.0/57727	314.9	13.60		
C28A-2	C140-2	44.450	25.40	25.22	12.70	103.3	107.9	41.00	5.60	48.87	344.8/78364	427.5	16.86		
C32A-2	C160-2	50.800	28.58	31.55	14.27	123.3	128.1	47.80	6.40	58.55	453.6/103091	562.4	22.90		
C08A-3	C40-3	12.700	7.95	7.85	3.96	45.4	47.6	12.00	1.50	14.38	42.3/9614	50.0	2.14		
C10A-3	C50-3	15.875	10.16	9.40	5.08	57.0	59.5	15.09	2.03	18.11	66.6/15136	77.8	3.62		
C12A-3	C60-3	19.050	11.91	12.57	5.94	71.5	73.9	18.0/18.2	2.42	22.78	95.4/21682	111.1	5.36/5.41		
C16A-3	C80-3	25.400	15.88	15.75	7.92	91.7	95.1	24.00	3.25	29.29	170.1/38659	198.4	9.10		
C20A-3	C100-3	31.750	19.05	18.90	9.53	112.2	116.3	30.00	4.00	35.76	265.5/60341	309.6	13.60		
C24A-3	C120-3	38.100	22.23	25.22	11.10	141.4	145.2	35.70	4.80	45.44	381.0/86591	437.2	20.43		
C28A-3	C140-3	44.450	25.40	25.22	12.70	152.2	156.8	41.00	5.60	48.87	517.2/117545	593.3	25.23		
C32A-3	C160-3	50.800	28.58	31.55	14.27	181.8	186.6	47.80	6.40	58.55	680.4/154636	780.6	34.19		

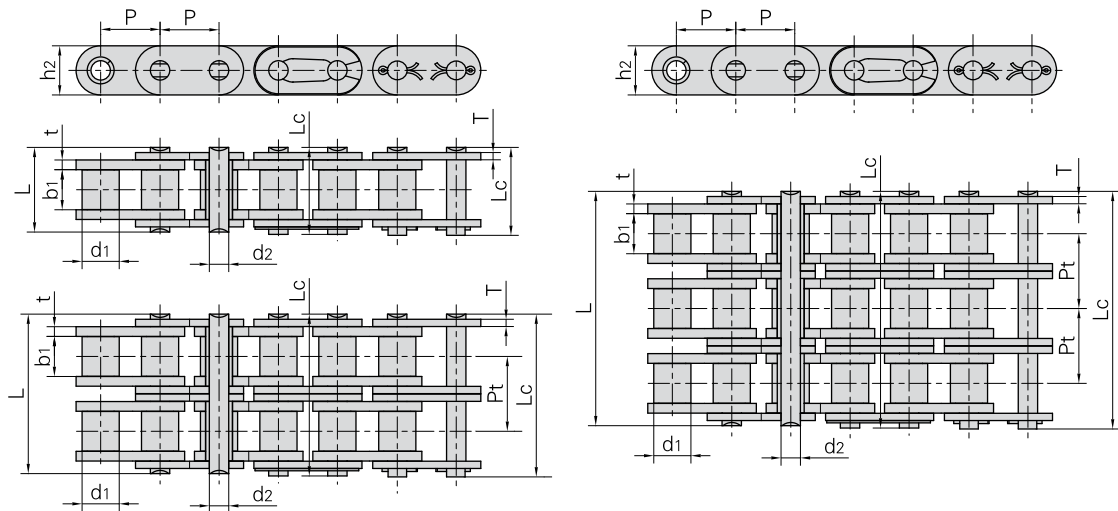
*Bushing chain: d1 in the table indicate the external diameter of the bushing.

*Buchsenketten: In dieser Tabelle zeigt d1 den Außendurchmesser der Buchsen.

Rollenketten mit geraden Laschen (B Serie)

Roller chains with straight side plates (B series)

Chaînes à rouleaux à plaques droites (Série B)

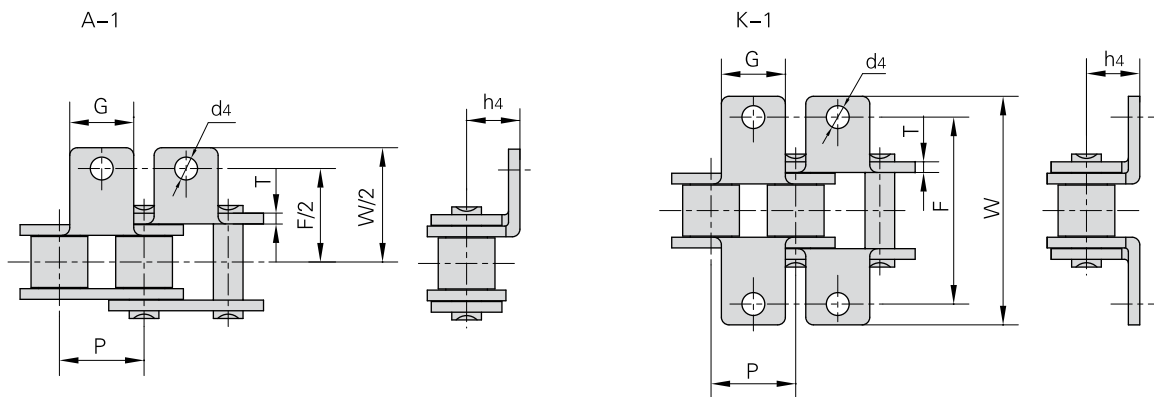


DIN/ISO Chain No.	Pitch	Roller diameter	Width between inner plates	Pin diameter	Pin length		Inner plate depth	Plate thickness	Transverse pitch	Ultimate tensile strength	Average tensile strength	Weight per meter
	<i>Teilung</i>	<i>Rollen- durch- messer</i>	<i>Innere Breite</i>	<i>Bolzen- durch- messer</i>	<i>Bolzen- länge</i>		<i>Innen- laschen- höhe</i>	<i>Laschen- dicke</i>	<i>Mitten- abstand</i>	<i>Min. Bruchkraft</i>	<i>Durchschn. Bruchkraft</i>	<i>Gewicht</i>
	P	d1 max	b1 min	d2 max	L max	Lc max	h2 max	t/T max	Pt	Q min	Q0	q
DIN/ISO Ketten Nr.	mm	mm	mm	mm	mm	mm	mm	mm	mm	KN/LB	kN	kg/m
C08B-1	12.700	8.51	7.75	4.45	16.7	18.2	11.8	1.60	-	18.0/4091	19.5	0.80
C10B-1	15.875	10.16	9.65	5.08	19.5	20.9	14.7	1.70	-	22.4/5091	27.9	1.06
C12B-1	19.050	12.07	11.68	5.72	22.5	25.2	16.0	1.85	-	29.0/6591	32.2	1.32
C16B-1	25.400	15.88	17.02	8.28	36.1	39.1	21.0/24.0	4.15/3.1	-	60.0/13636	72.8	3.08/3.49
C20B-1	31.750	19.05	19.56	10.19	41.3	45.0	26.4	4.5/3.5	-	95.0/21591	106.7	4.16
C24B-1	38.100	25.40	25.40	14.63	53.4	57.8	33.2	6.0/4.8	-	160.0/36364	178.0	7.47
C28B-1	44.450	27.94	30.99	15.90	65.1	69.5	36.7	7.5/6.0	-	200.0/45455	222.0	9.90
C32B-1	50.800	29.21	30.99	17.81	66.0	71.0	42.0	7.0/6.0	-	250.0/56818	277.5	10.45
C08B-2	12.700	8.51	7.75	4.45	31.2	32.2	11.8	1.60	13.92	32.0/7273	38.7	1.45
C10B-2	15.875	10.16	9.65	5.08	36.1	37.5	14.7	1.70	16.59	44.5/10114	57.8	2.00
C12B-2	19.050	12.07	11.68	5.72	42.0	44.7	16.0	1.85	19.46	57.8/13136	66.1	2.62
C16B-2	25.400	15.88	17.02	8.28	68.0	71.0	21.0/24.0	4.15/3.1	31.88	106.0/24091	133.0	6.10/6.92
C20B-2	31.750	19.05	19.56	10.19	77.8	81.5	26.4	4.5/3.5	36.45	170.0/38636	211.2	8.23
C24B-2	38.100	25.40	25.40	14.63	101.7	106.2	33.2	6.0/4.8	48.36	280.0/63636	319.2	14.77
C28B-2	44.450	27.94	30.99	15.90	124.6	129.1	36.7	7.5/6.0	59.56	360.0/81818	406.8	19.82
C32B-2	50.800	29.21	30.99	17.81	124.6	129.6	42.0	7.0/6.0	58.55	450.0/102273	508.5	20.94
C08B-3	12.700	8.51	7.75	4.45	45.1	46.1	11.8	1.60	13.92	47.5/10795	57.8	2.10
C10B-3	15.875	10.16	9.65	5.08	52.7	54.1	14.7	1.70	16.59	66.7/15159	84.5	2.87
C12B-3	19.050	12.07	11.68	5.72	61.5	64.2	16.0	1.85	19.46	86.7/19705	101.8	3.89
C16B-3	25.400	15.88	17.02	8.28	99.8	102.9	21.0/24.0	4.15/3.1	31.88	160.0/36364	203.7	9.12/10.34
C20B-3	31.750	19.05	19.56	10.19	114.2	117.9	26.4	4.5/3.5	36.45	250.0/56818	290.0	11.34
C24B-3	38.100	25.40	25.40	14.63	150.1	154.6	33.2	6.0/4.8	48.36	425.0/96591	493.0	22.10
C28B-3	44.450	27.94	30.99	15.90	184.2	188.7	36.7	7.5/6.0	59.56	530.0/120454	609.5	29.64
C32B-3	50.800	29.21	30.99	17.81	183.2	188.2	42.0	7.0/6.0	58.55	670.0/152273	770.5	31.27

Winkellaschen-Anbauteile für Rollenketten

Roller chains with attachments

Attache-équerres pour chaînes à rouleaux



DIN/ISO Chain No. <i>DIN/ISO Ketten Nr.</i>	ANSI Chain No. <i>ANSI Ketten Nr.</i>	P	G	F	W	T	h4	d4
		mm	mm	mm	mm	mm	mm	mm
04C	25	6.350	5.6	13.80	23.2	0.80	4.30	3.4
06C	35	9.525	7.9	19.00	28.6	1.30	6.35	3.4
08A	40	12.700	9.5	25.40	35.2	1.50	7.90	3.4
085	41	12.700	9.5	24.00	33.4	1.30	6.90	3.6
10A	50	15.875	12.7	31.75	46.2	2.03	10.30	5.5
12A	60	19.050	15.9	38.10	55.6	2.42	11.90	5.5
16A	80	25.400	19.1	50.80	64.8	3.25	15.90	6.8
20A	100	31.750	25.4	63.50	89.8	4.00	19.80	9.2
24A	120	38.100	28.6	76.20	108.5	4.80	23.00	9.8
28A	140	44.450	34.9	88.90	123.0	5.60	28.60	11.4
32A	160	50.800	38.1	101.60	142.8	6.40	31.75	13.1
40A	200	63.500	50.8	127.00	179.0	8.00	42.88	16.3
*06B		9.525	8.0	19.04	27.0	1.30	6.50	3.5
08B		12.700	9.5	25.40	36.4	1.60	8.90	4.5
10B		15.875	14.3	31.75	44.6	1.70	10.31	5.3
12B		19.050	16.0	38.10	52.4	1.85	13.46	6.4
16B		25.400	19.1	50.80	72.6	3.10	15.88	6.4
20B		31.750	35.0	63.50	100.5	3.50	19.80	9.0
24B		38.100	30.0	76.20	108.4	4.80	26.67	10.5
28B		44.450	35.0	88.90	123.0	6.00	28.58	13.1
32B		50.800	38.1	101.60	142.8	6.00	31.75	13.1

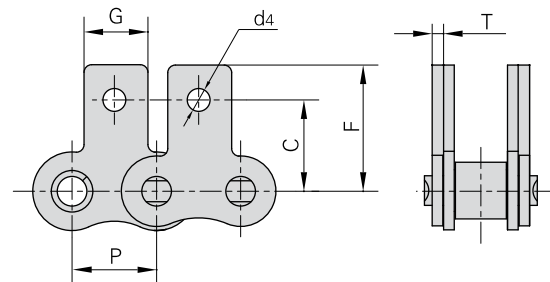
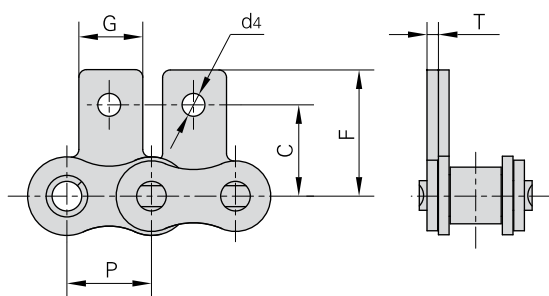
*Straight side plates
 *Gerade Laschen

Planlaschen-Anbauteile für Rollenketten

Roller chains with attachments

Attache verticale pour chaînes à rouleaux


 SA-1/M1 one side(*einseitig*)

 SK-1/M1 both sides(*beidseitig*)


DIN/ISO Chain No. <i>DIN/ISO Ketten Nr.</i>	ANSI Chain No. <i>ANSI Ketten Nr.</i>	P	G	C	F	T	d4
		mm	mm	mm	mm	mm	mm
04C	25	6.350	5.6	7.95	11.7	0.8	3.4
06C	35	9.525	7.9	9.50	14.55	1.30	3.4
08A	40	12.700	9.5	12.70	19.05	1.50	3.4
085	41	12.700	9.5	11.85	16.55	1.30	3.6
10A	50	15.875	12.7	15.90	25.25	2.03	5.5
12A	60	19.050	15.9	18.30	29.33	2.42	5.5
16A	80	25.400	19.1	24.60	34.70	3.25	6.8
20A	100	31.750	25.4	31.80	43.30	4.00	9.2
24A	120	38.100	28.6	36.50	51.60	4.80	9.8
28A	140	44.450	34.9	44.50	62.00	5.60	11.4
32A	160	50.800	38.1	50.80	69.85	6.40	13.1
40A	200	63.500	50.8	63.50	88.90	8.00	16.3
*06B		9.525	8.0	9.52	13.50	1.30	3.5
08B		12.700	9.5	13.35	18.90	1.60	4.3
10B		15.875	14.3	16.50	22.95	1.70	5.3
12B		19.050	16.0	21.45	28.60	1.85	6.4
16B		25.400	19.1	23.15	34.00	3.10	6.4
20B		31.750	35.0	30.50	45.70	3.50	9.0
24B		38.100	36.0	36.00	61.50	4.80	10.5

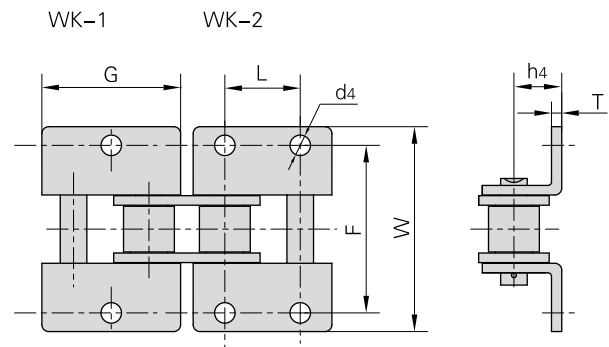
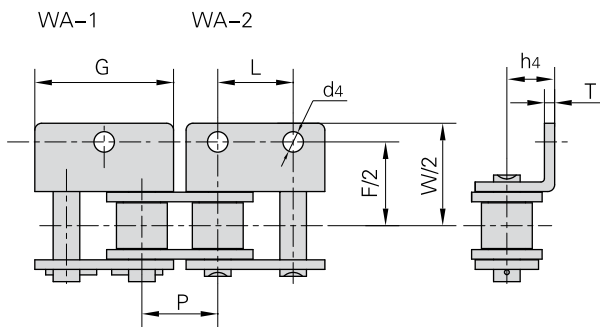
*Straight side plates

*Gerade Laschen

Winkellaschen-Anbauteile für Rollenketten

Roller chains with attachments

Attache-équerres pour chaînes à rouleaux



DIN/ISO Chain No. <i>DIN/ISO Ketten Nr.</i>	ANSI Chain No. <i>ANSI Ketten Nr.</i>	P	G	L	F	W	T	h ₄	d ₄
		mm	mm	mm	mm	mm	mm	mm	mm
04C	25	6.350	11.41	6.350	13.80	23.2	0.80	4.30	3.40
06C	35	9.525	17.32	9.525	19.00	28.6	1.30	6.35	2.80
08A	40	12.700	23.00	12.700	25.40	35.6	1.50	7.90	3.40
085	41	12.700	22.30	12.700	24.00	35.0	1.30	7.20	4.85
10A	50	15.875	28.80	15.875	31.75	46.8	2.03	10.30	5.50
12A	60	19.050	34.65	19.050	38.10	56.4	2.42	11.90	5.50
16A	80	25.400	45.90	25.400	50.80	73.2	3.25	15.90	6.80
20A	100	31.750	57.65	31.750	63.50	89.8	4.00	19.80	9.20
24A	120	38.100	69.30	38.100	76.20	108.8	4.80	23.00	9.80
28A	140	44.450	80.45	44.450	88.90	123.0	5.60	28.60	11.40
32A	160	50.800	92.00	50.800	101.60	142.8	6.40	31.75	13.10
40A	200	63.500	115.50	63.500	127.00	179.0	8.00	42.88	16.30
*06B		9.525	17.72	9.525	19.04	27.0	1.30	6.50	3.50
08B		12.700	24.00	12.700	25.40	36.4	1.60	8.90	4.30
10B		15.875	29.58	15.875	31.80	44.6	1.70	10.31	5.30
12B		19.050	34.05	19.050	38.10	52.4	1.85	13.46	6.40
16B		25.400	46.40	25.400	50.80	72.6	3.10	15.88	6.40
20B		31.750	58.10	31.750	63.00	100.5	3.50	19.80	9.00
24B		38.100	71.30	38.100	76.20	108.4	4.80	26.67	10.50
28B		44.450	81.10	44.450	88.90	123.0	6.00	28.58	13.10
32B		50.800	92.80	50.800	101.60	142.8	6.00	31.75	13.10

*Straight side plates
 *Gerade Laschen

Planlaschen-Anbauteile für Rollenketten

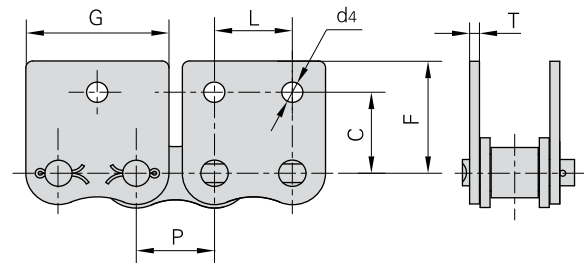
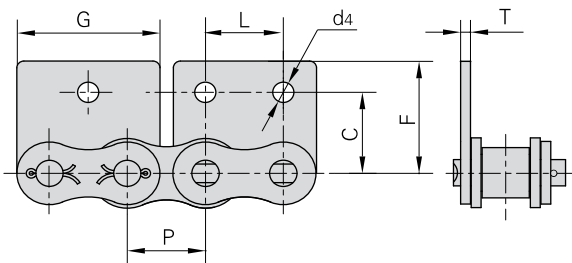
Roller chains with attachments

Attache verticale pour chaînes à rouleaux



WSA-1 WSA-2

WSK-1 WSK-2



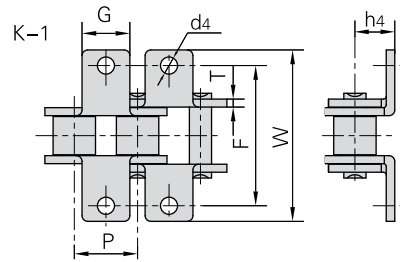
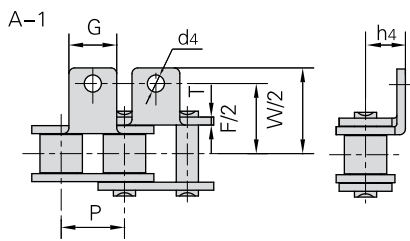
DIN/ISO Chain No. <i>DIN/ISO Ketten Nr.</i>	ANSI Chain No. <i>ANSI/ Ketten Nr.</i>	P	G	L	C	F	T	d4
		mm	mm	mm	mm	mm	mm	mm
04C	25	6.350	11.41	6.350	7.95	11.70	0.80	3.4
06C	35	9.525	17.32	9.525	9.50	14.55	1.30	2.8
08A	40	12.700	23.00	12.700	12.70	17.40	1.50	3.4
085	41	12.700	21.20	12.700	11.85	16.55	1.30	3.6
10A	50	15.875	28.80	15.875	15.90	23.05	2.03	5.5
12A	60	19.050	34.65	19.050	18.30	26.86	2.42	5.5
16A	80	25.400	45.90	25.400	24.60	35.45	3.25	6.8
20A	100	31.750	57.65	31.750	31.80	44.00	4.00	9.2
24A	120	38.100	69.30	38.100	36.50	51.60	4.80	9.8
28A	140	44.450	80.45	44.450	44.50	62.00	5.60	11.4
32A	160	50.800	92.00	50.800	50.80	69.85	6.40	13.1
40A	200	63.500	115.5	63.500	63.50	88.90	8.00	16.3
*06B		9.525	17.72	9.525	9.52	13.50	1.30	3.5
08B		12.700	23.30	12.700	13.35	18.90	1.60	4.3
10B		15.875	29.58	15.875	16.50	22.95	1.70	5.3
12B		19.050	34.05	19.050	21.45	28.60	1.85	6.4
16B		25.400	46.40	25.400	23.15	34.00	3.10	6.4
20B		31.750	58.10	31.750	30.50	45.70	3.50	9.0
24B		38.100	71.30	38.100	42.70	61.50	4.80	10.5

*Straight side plates
 *Gerade Laschen

Winkellaschen-Anbauteile für Rollenketten

Roller chains with attachments

Attache-équerres pour chaînes à rouleaux



Donghua Chain No. Donghua Ketten Nr.	P	G	F	W	T	h4	d4
	mm	mm	mm	mm	mm	mm	mm
25K1F1	6.350	5.60	14.27	21.38	0.80	4.75	3.40
*06BK1F3	9.525	8.00	18.81	26.81	1.15	6.50	3.50
08AA1F1	12.700	9.50	38.50	44.50	1.50	8.20	3.60
08AA1F2	12.700	9.50	25.40	35.20	1.50	7.90	4.85
08AA1F3	12.700	15.88	25.40	35.60	1.50	8.00	4.95
08AA1F6	12.700	9.50	25.40	35.20	1.50	7.90	5.00
08AA1F7	12.700	18.00	37.00	52.00	1.50	8.00	5.20
*C08AA1F1	12.700	10.00	25.40	33.40	1.50	9.10	3.40
08BA1F2	12.700	11.40	38.60	49.60	1.60	8.90	3.50
08BA1F6	12.700	18.00	25.80	37.80	1.60	8.00	4.20
08BA1F8	12.700	11.20	21.85	32.85	2.50	8.90	4.30
08BA1F11	12.700	11.00	25.40	36.40	1.60	8.90	4.30
08BA1F16	12.700	12.30	27.80	42.80	1.60	21.00	5.20
08BA1F18	12.700	9.50	28.30	37.00	1.60	8.00	4.30
08BA1F20	12.700	12.60	22.95	33.95	1.60	10.2	5.00
08AK1F2	12.700	9.50	25.40	35.20	1.50	7.90	4.85
08AK1F4	12.700	9.50	25.39	35.19	1.50	7.90	5.50
08BK1F5	12.700	9.50	29.00	38.70	1.60	7.10	4.50
08BK1F7	12.700	9.50	29.00	39.00	1.60	7.00	4.50
08BK1F9	12.700	9.50	25.40	36.40	1.60	8.90	M4
08BK1F10	12.700	11.00	27.77	38.77	1.55	8.75	4.30
08BK1F14	12.700	11.00	25.57	36.57	1.60	8.90	6.50
08BK1F15	12.700	17.90	27.60	39.60	1.60	8.00	7.10
08BF30	12.700	18.00	27.20	40.00	1.60	8.00	4.30
08BF33	12.700	9.50	27.74	38.80	1.60	8.50	3.10
10AK1F3	15.875	14.29	31.75	46.20	2.03	10.30	5.50
10AK1F5	15.875	20.00	39.00	50.10	2.03	12.50	M5
10AK1F7	15.875	12.70	31.80	46.20	2.03	10.30	M6
10AK1F8	15.875	12.70	31.80	46.20	2.03	10.30	6.50
10AK1F9	15.875	20.00	38.97	50.07	2.03	12.50	5.50

*Straight side plates
*Gerade Laschen

Planlaschen-Anbauteile für Rollenketten

Roller chains with attachments

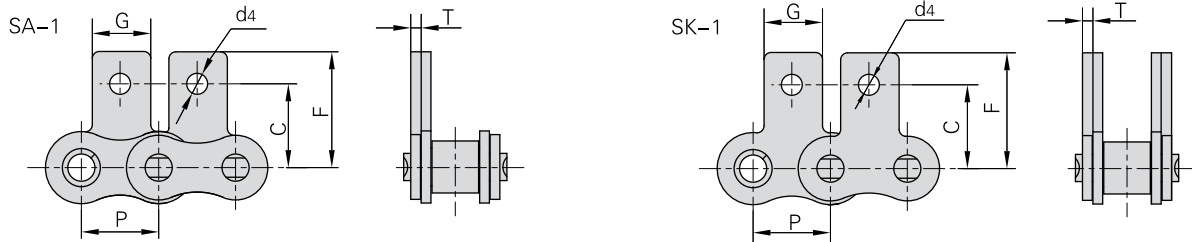
Attache verticale pour chaînes à rouleaux

Donghua Chain No. <i>Donghua Ketten Nr.</i>	P	G	F	W	T	h ₄	d ₄
	mm	mm	mm	mm	mm	mm	mm
10AHK1F1	15.875	12.70	34.00	48.40	2.42	10.30	M5
10BK1F2	15.875	13.00	32.40	45.20	1.70	11.00	6.00
12AA1F7	19.050	15.90	38.10	55.50	2.42	11.90	6.00
12AK1F1	19.050	15.90	40.00	55.60	2.42	11.90	6.20
12AK1F4	19.050	15.90	38.10	55.50	2.42	11.90	M5
12AK1F7	19.050	15.90	38.10	55.60	2.42	11.90	6.00
12AK1F8	19.050	15.90	40.00	55.60	2.42	11.90	6.80
12BA1F1	19.050	16.00	38.10	52.40	1.85	13.46	8.20
12BA1F12	19.050	18.00	35.20	52.70	1.85	12.20	6.40
12BK1F4	19.050	16.00	38.10	52.40	1.85	13.46	6.40
12BK1F5	19.050	18.00	35.44	54.05	1.80	11.60	6.40
12BK1F6	19.050	16.00	35.00	52.40	1.85	13.46	6.40
12BK1F8	19.050	18.00	35.20	50.40	1.85	12.20	6.40
12BK1F9	19.050	16.00	24.80	39.00	1.85	13.46	6.40
12BK1F10	19.050	20.50	40.00	54.50	1.85	12.00	8.50
12BK1F11	19.050	16.00	38.15	52.55	1.85	13.46	10.00
12BFK1	19.050	16.50	40.00	54.80	1.85	12.00	6.60
16AA1F4	25.400	19.10	50.80	64.80	3.25	15.90	6.00
16AK1F3	25.400	30.00	56.30	82.40	3.25	16.00	6.50
16AK1F5	25.400	25.40	44.00	56.00	3.25	15.90	6.00
16AK1F6	25.400	24.00	44.00	56.00	3.25	15.90	6.00
16BK1F3	25.400	19.10	50.80	72.60	3.10	15.88	8.20
16BK1F4	25.400	36.00	54.00	78.60	3.10	16.00	8.20
16BK1F5	25.400	25.00	57.80	83.60	3.10	19.00	9.00
16BK1F10	25.400	24.00	53.58	77.58	3.00	16.30	8.20
16BK1F11	25.400	26.00	58.00	74.60	4.00	18.00	9.00
16BK1F13	25.400	25.00	58.00	84.40	3.10	18.00	9.00
16BK1F15	25.400	25.00	68.00	130.00	3.10	17.00	9.10
16BK1F16	25.400	23.80	58.00	83.80	1.85	17.00	8.40
16BK1F17	25.400	25.00	50.80	70.20	4.15	20.20	9.10
16BK1F19	25.400	24.00	57.15	75.00	4.15	18.00	9.00
20AK1F2	31.750	25.40	53.25	77.15	6.00	19.84	8.20
20AK1F3	31.750	25.40	63.50	87.30	4.00	19.80	8.70
20AHK1F1	31.750	25.40	61.08	87.675	4.80	19.81	10.30
20BK1F2	31.750	26.00	68.00	88.00	4.50	23.50	9.60
24AA1F1	38.100	28.60	76.20	111.60	4.80	23.80	9.80

Winkellaschen-Anbauteile für Rollenketten

Roller chains with attachments

Attache-équerres pour chaînes à rouleaux



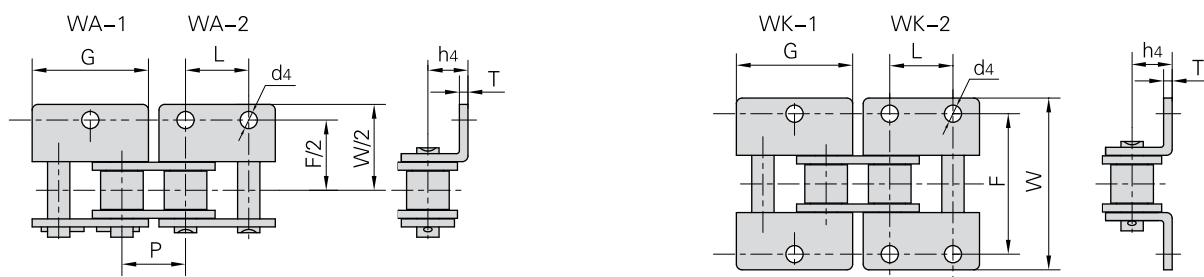
Donghua Chain No. <i>Donghua Ketten Nr.</i>	P	G	C	F	T	d4
	mm	mm	mm	mm	mm	mm
35SK1F1	9.525	7.90	9.50	14.55	1.30	4.00
*06BSK1F2	9.525	8.00	9.50	13.50	1.15	3.50
08ASA1F3	12.700	9.60	12.70	17.30	1.50	3.60
08BSA1F1	12.700	18.00	15.00	21.50	1.60	6.30
08BSA1F8	12.700	12.50	14.70	20.30	1.60	4.50
C08BSA1F9	12.700	12.50	14.70	20.30	1.60	4.50
08BSK1F2	12.700	11.00	13.40	18.90	1.60	4.30
08BSK1F3	12.700	11.00	14.10	19.50	1.55	4.30
08BSK1F4	12.700	11.00	13.35	18.90	1.60	6.50
08BSK1F5	12.700	9.50	13.35	18.90	1.60	6.30
08BSK1F6	12.700	11.00	14.30	19.30	1.60	4.30
08BSK1F7	12.700	11.00	13.00	20.80	1.60	4.45
10ASA0F2	15.875	28.50	–	93.00	2.03	–
10ASK1F1	15.875	20.00	15.68	22.88	2.03	8.50
10ASK1F3	15.875	12.70	15.25	23.60	2.03	5.30
10BSA1F3	15.875	24.00	16.00	24.20	1.70	5.10
12ASA1F4	19.050	15.90	18.30	29.33	2.42	8.50
12ASK1F1	19.050	15.90	18.30	29.33	2.42	6.10
12BSK1F1	19.050	18.00	18.20	28.10	1.80	6.40
16ASAF1	25.400	19.10	–	34.70	3.25	–
16ASAF2	25.400	19.10	–	34.70	3.25	–
16BSK1F2	25.400	24.00	25.40	37.40	3.00	8.20
16BSK1F3	25.400	19.10	23.15	34.00	3.10	9.00
16AWSK1F3	25.400	45.90	16.00	34.40	3.25	14.52
24BSK1F1	38.100	30.00	42.65	61.70	4.80	10.50

*Straight side plates
 *Gerade Laschen

Planlaschen-Anbauteile für Rollenketten

Roller chains with attachments

Attache verticale pour chaînes à rouleaux



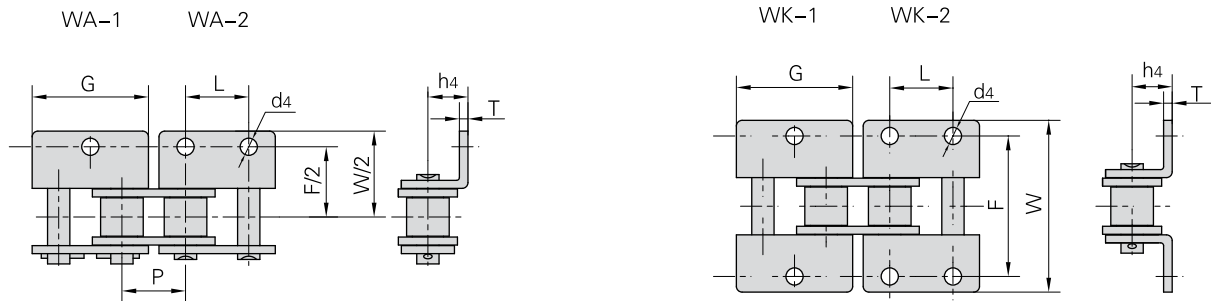
Donghua Chain No. <i>Donghua Ketten Nr.</i>	P	G	L	F	W	T	h ₄	d ₄
	mm	mm	mm	mm	mm	mm	mm	mm
*06BWK2F1	9.525	17.70	9.525	19.05	28.50	1.30	6.70	4.10
08AWA2F2	12.700	23.00	12.700	25.40	35.60	1.50	7.90	3.60
08BWA2F4	12.700	24.00	12.700	25.40	36.40	1.60	8.90	4.30
08BWA1F1	12.700	23.30	–	27.40	38.80	1.60	8.00	4.30
08BWA1F6	12.700	24.00	–	25.40	38.80	1.60	8.90	6.60
08BWA2F6	12.700	25.00	12.500	26.00	35.60	1.60	8.90	4.50
08BWK2F2	12.700	23.20	12.700	28.40	42.60	3.00	8.50	5.40
08BWK2F3	12.700	23.20	12.700	32.00	43.60	1.60	10.00	4.50
08BWK2F4	12.700	24.00	12.700	25.40	36.40	1.60	8.90	4.30
08BWK2F5	12.700	24.20	12.700	23.95	34.95	1.55	8.75	4.30
428HWK1	12.700	23.30	–	38.00	56.40	2.42	11.00	5.50
10AWK1F1	15.875	28.80	–	31.75	46.00	2.03	10.30	8.20
10AWK1F2	15.875	30.00	–	31.75	46.00	2.03	10.30	5.20
10BWA2F2	15.875	28.36	15.76	30.40	39.80	1.60	10.50	5.20
10BWK2F2	15.875	28.36	15.76	30.40	39.80	1.60	10.50	5.20
10BWK2F3	15.875	29.90	15.88	31.59	45.59	1.60	10.50	5.30
12AWA2F1	19.050	34.65	19.05	38.10	56.40	2.42	11.91	6.35
12AHWK2F1	19.050	34.65	19.05	40.60	59.00	3.25	11.90	5.50
12BWA1F2	19.050	34.05	–	38.10	26.20	1.85	13.46	5.50
12BWA2F2	19.050	34.90	19.00	35.00	50.60	1.85	12.00	6.20
12BWA2F3	19.050	30.00	20.00	37.40	53.00	1.85	12.00	6.10
12BWA2F5	19.050	30.00	20.00	39.60	55.30	1.85	14.00	M6
12BWA2F6	19.050	30.00	20.00	38.60	57.00	1.85	13.46	6.20
12BWK1F1	19.050	34.05	–	38.10	52.40	1.85	13.46	8.50
12BWK2F7	19.050	34.90	19.00	35.00	55.40	1.85	12.20	6.40

*Straight side plates
 *Gerade Laschen

Winkellaschen-Anbauteile für Rollenketten

Roller chains with attachments

Attache-équerres pour chaînes à rouleaux

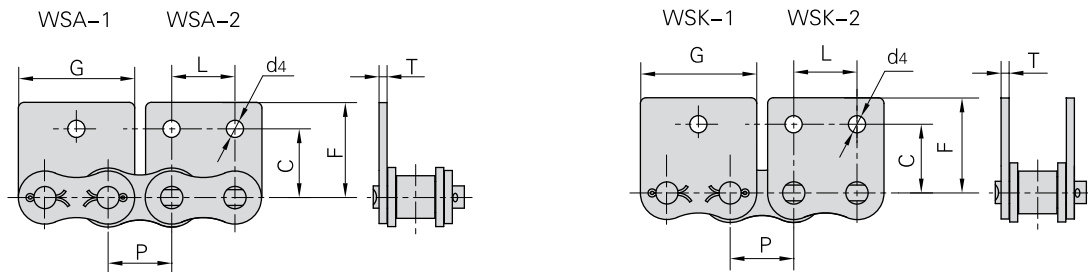


Donghua Chain No. Donghua Ketten Nr.	P	G	L	F	W	T	h4	d4
	mm	mm	mm	mm	mm	mm	mm	mm
12BWK2F8	19.05	35.60	19.05	38.10	52.40	1.85	13.50	6.6
12BF42WK2	19.05	34.90	19.00	35.20	54.60	1.85	12.20	6.4
16AWK1F1	25.40	45.90	–	50.80	73.20	3.25	15.90	8.0
16AWK1F2	25.40	45.90	–	50.80	73.20	3.25	15.90	12.0
16BWA2F12	25.40	46.40	25.40	50.80	77.80	3.10	15.90	8.2
16BWA2F7	25.40	46.40	25.40	50.80	72.00	4.15	16.00	8.0
16BWK1F	25.40	46.00	–	57.20	78.50	3.10	15.90	8.1
16BWK1F3	25.40	46.40	–	50.80	72.60	3.10	15.88	M6
16BWK1F4	25.40	46.40	–	50.74	72.50	3.10	15.88	8.3
16BWK2F1	25.40	48.00	25.40	58.00	75.90	3.10	18.00	9.0
16BWK2F3	25.40	46.40	25.40	58.08	72.60	3.10	15.88	8.2
16BWK2F5	25.40	46.00	25.40	53.58	77.58	3.00	16.30	8.2
16BWK2F6	25.40	49.00	25.40	50.20	72.60	4.00	19.00	8.2
16BWK2F8	25.40	46.40	25.40	50.80	79.40	4.15	15.88	6.6
16BWK2F10	25.40	46.40	25.40	52.00	72.60	3.10	15.88	6.4
16BWK2F13	25.40	47.00	25.40	58.00	75.60	4.15	18.00	9.0
20BWK2F1	31.75	58.10	31.75	67.94	100.54	3.50	19.80	9.0
28AWK2F1	44.45	82.00	42.00	69.50	99.00	5.60	25.10	10.5
32AWK2F3	50.80	100.00	70.00	100.00	140.00	6.40	31.75	18.0

Planlaschen-Anbauteile für Rollenketten

Roller chains with attachments

Attache verticale pour chaînes à rouleaux



Donghua Chain No. Donghua Ketten Nr.	P	G	L	C	F	T	d4
	mm	mm	mm	mm	mm	mm	mm
*06BWSA2F1	9.525	17.60	9.50	10.10	14.50	1.30	3.30
*06BWSK2F2	9.525	17.25	9.52	9.50	13.50	1.15	3.50
08BWSA1F2	12.700	24.45	–	13.40	18.90	1.60	4.30
08BWSK2F1	12.700	23.30	12.70	13.35	18.90	1.60	6.10
08BWSK2F2	12.700	24.45	12.70	13.40	18.90	1.60	4.30
08BWSK2F3	12.700	24.20	12.70	14.10	19.50	1.55	4.30
08BWSK2F4	12.700	23.30	12.70	14.10	18.50	1.60	4.30
*C12AWSA1F1	19.050	34.05	–	17.60	25.80	2.42	9.00
12AWSK1F2	19.050	34.65	–	15.75	33.53	2.42	16.13
12BWSK1F1	19.050	35.20	–	20.58	30.30	1.85	6.35
12BWSK2F2	19.050	34.90	19.00	17.80	25.90	1.85	6.20
16AWSK1F4	25.400	45.90	–	16.00	34.40	3.25	15.56
16AWSK1F5	25.400	45.90	–	16.00	34.40	3.25	17.15
16AWSK1F6	25.400	45.90	–	16.00	34.40	3.25	16.00
16AWSK2F1	25.400	45.90	19.10	24.60	35.45	3.25	9.00
16BWSA2F6	25.400	49.00	25.40	25.50	37.60	4.00	8.20
16BWSK1F8	25.400	46.40	–	25.00	37.00	3.10	8.20
16BWSK2F5	25.400	46.00	25.40	25.40	37.50	3.00	8.20
16BWSK2F8	25.400	47.00	25.40	31.10	39.70	4.15	9.00
16BWSK2F9	25.400	47.00	25.40	31.10	39.70	4.15	9.00
16BWSK2F10	25.400	46.50	25.40	28.60	41.50	3.10	9.00
20AWSK1F1	31.750	70.00	–	45.00	70.00	4.00	50.00
20AWSK1F2	31.750	57.65	–	31.80	44.00	4.00	16.00
20AWSK1F3	31.750	57.65	–	31.80	34.98	4.00	16.00
20BWSK2F2	31.750	58.10	31.75	35.00	50.00	3.50	9.00
24BWSK2F1	38.100	71.30	38.10	45.00	55.60	4.80	10.50
32AF5	50.800	93.00	50.80	38.10	56.65	6.40	13.50

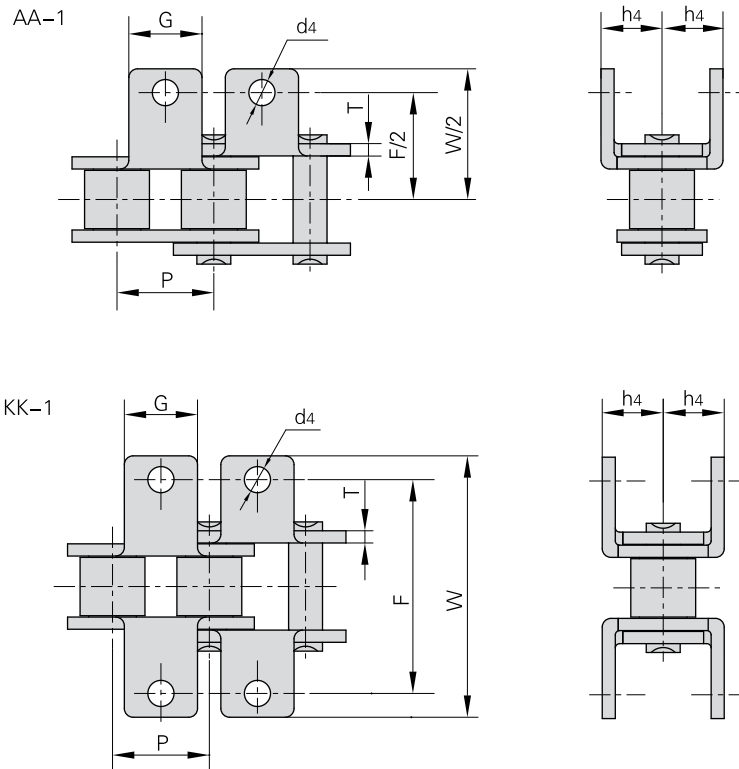
*Straight side plates

*Gerade Laschen

Winkelaschen-Anbauteile für Rollenketten

Roller chains with attachments

Attache-équerres pour chaînes à rouleaux



DIN/ISO Chain No. <i>DIN/ISO Ketten Nr.</i>	ANSI Chain No. <i>ANSI Ketten Nr.</i>	P	G	F	W	T	h4	d4
		mm	mm	mm	mm	mm	mm	mm
08A	40	12.700	9.5	25.40	35.2	1.50	7.90	3.4
10A	50	15.875	12.7	31.75	46.2	2.03	10.30	5.5
12A	60	19.050	15.9	38.10	55.6	2.42	11.90	5.5
16A	80	25.400	19.1	50.80	64.8	3.25	15.90	6.8
20A	100	31.750	25.4	63.50	87.3	4.00	19.80	9.2
24A	120	38.100	28.6	76.20	108.5	4.80	23.00	9.8
*06B		9.525	8.0	19.04	27.0	1.30	6.50	3.5
08B		12.700	9.5	25.40	36.4	1.60	8.90	4.5
10B		15.875	14.3	31.75	44.6	1.70	10.31	5.3
12B		19.050	16.0	38.10	52.4	1.85	13.46	6.4
16B		25.400	19.1	50.80	72.6	3.10	15.88	6.4
20B		31.750	35.0	63.50	100.5	3.50	19.80	9.0
24B		38.100	30.0	76.20	108.4	4.80	26.67	10.5

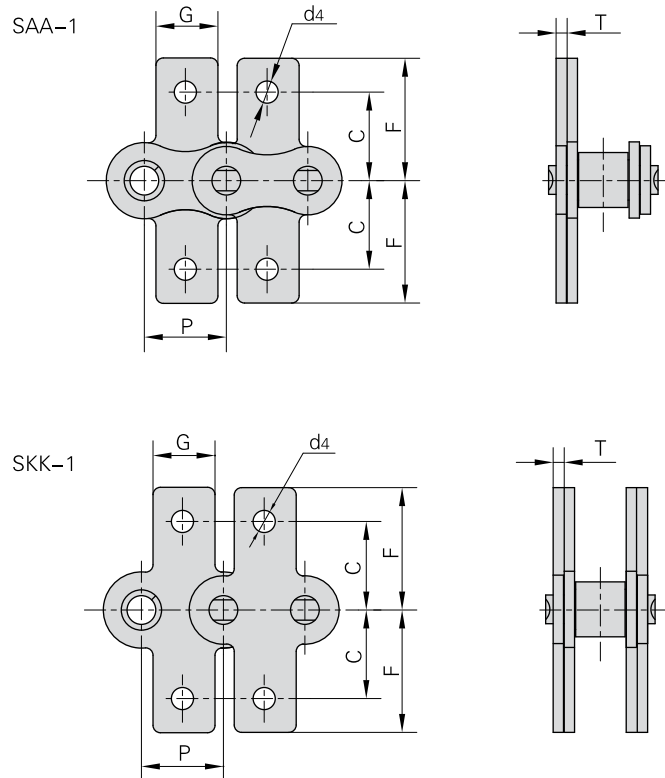
*Straight side plates

*Gerade Laschen

Planlaschen-Anbauteile für Rollenketten

Roller chains with attachments

Attache verticale pour chaînes à rouleaux



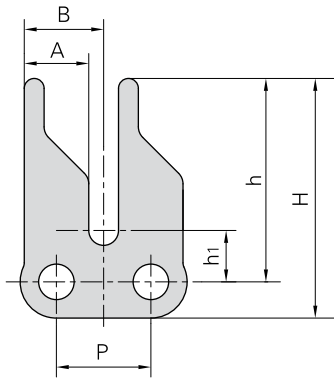
DIN/ISO Chain No. <i>DIN/ISO Ketten Nr.</i>	ANSI Chain No. <i>ANSI Ketten Nr.</i>	P	G	C	F	T	d ₄
		mm	mm	mm	mm	mm	mm
08A	40	12.700	9.5	12.70	19.05	1.50	3.4
10A	50	15.875	12.7	15.90	25.25	2.03	5.5
12A	60	19.050	15.9	18.30	29.33	2.42	5.5
16A	80	25.400	19.1	24.60	34.70	3.25	6.8
20A	100	31.750	25.4	31.80	43.30	4.00	9.2
24A	120	38.100	28.6	73.00	103.20	4.80	9.8
*06B		9.525	8.0	9.52	13.50	1.30	3.5
08B		12.700	9.5	13.35	18.90	1.60	4.3
10B		15.875	14.3	16.50	22.95	1.70	5.3
12B		19.050	16.0	21.45	28.60	1.85	6.4
16B		25.400	19.1	23.15	34.00	3.10	6.4
20B		31.750	35.0	30.50	45.70	3.50	9.0
24B		38.100	36.0	85.40	123.0	4.80	10.5

*Straight side plates
 *Gerade Laschen

Sonder-Anbauteile für Rollenketten (A Serie)

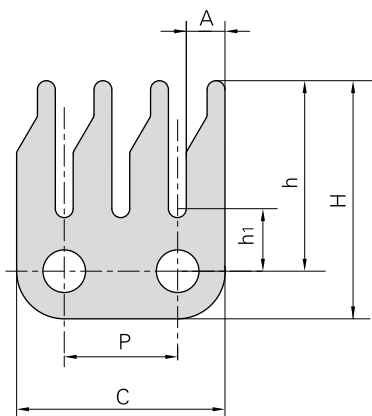
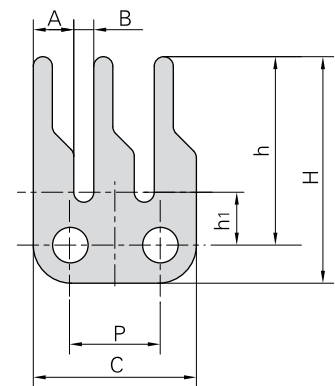
Roller chains with special attachments (A series)

Attache spéciaux pour chaînes à rouleaux (Série A)



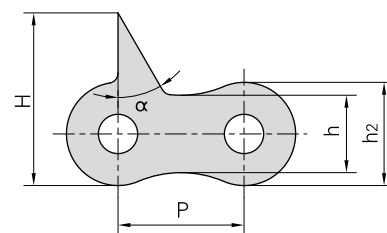
Donghua Chain No. <i>Donghua Ketten Nr.</i>	P	A	B	h ₁	h	H
	mm	mm	mm	mm	mm	mm
06CF2	9.525	6.5	8.0	5.2	20.5	24.15
06CF7	9.525	6.5	8.0	4.1	20.0	24.45

Donghua Chain No. <i>Donghua Ketten Nr.</i>	P	A	B	C	h ₁	h	H
	mm	mm	mm	mm	mm	mm	mm
06CF5	9.525	4.3	2.0	16.9	5.3	16.0	20.0
06CF8	9.525	4.3	2.0	16.9	5.3	20.0	24.0



Donghua Chain No. <i>Donghua Ketten Nr.</i>	P	A	C	h ₁	h	H
	mm	mm	mm	mm	mm	mm
06CF6	9.525	3.25	17.5	5.25	16.0	20.0

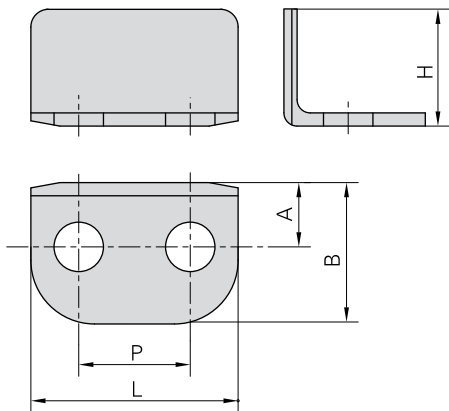
Donghua Chain No. <i>Donghua Ketten Nr.</i>	P	h	h ₂	H	α
	mm	mm	mm	mm	°
08A-D2-F1	12.7	7.8	10.4	17.4	30°
08AF34	12.7	7.8	10.4	17.9	30°



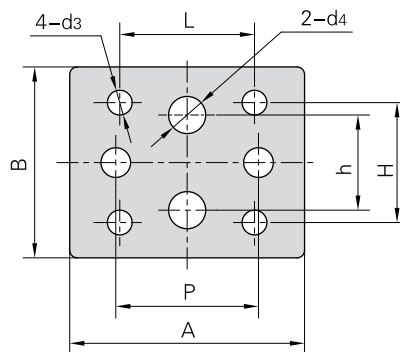
Sonder-Anbauteile für Rollenketten (A Serie)

Roller chains with special attachments (A series)

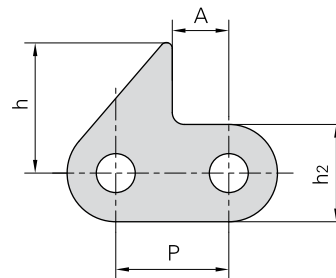
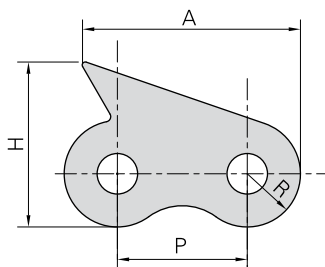
Attache spéciaux pour chaînes à rouleaux (Série A)



Donghua Chain No. Donghua Ketten Nr.	P	L	A	B	H
	mm	mm	mm	mm	mm
RS40F1	12.7	23.6	7.32	16.1	13.3

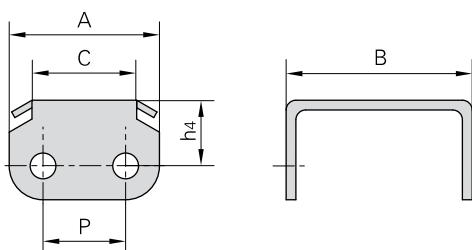


Donghua Chain No. Donghua Ketten Nr.	P	A	B	L	h	H	d3	d4
	mm	mm	mm	mm	mm	mm	mm	mm
08AF7	12.7	31.34	25.48	17.45	12.7	15.88	3.3	4.95



Donghua Chain No. Donghua Ketten Nr.	P	R	H	A
	mm	mm	mm	mm
08BF44	12.7	5.3	16.30	23.30
08AF8	12.7	5.2	16.13	21.34

Donghua Chain No. Donghua Ketten Nr.	P	h2	h	A
	mm	mm	mm	mm
08AF41	12.7	10.4	11.8	6.35



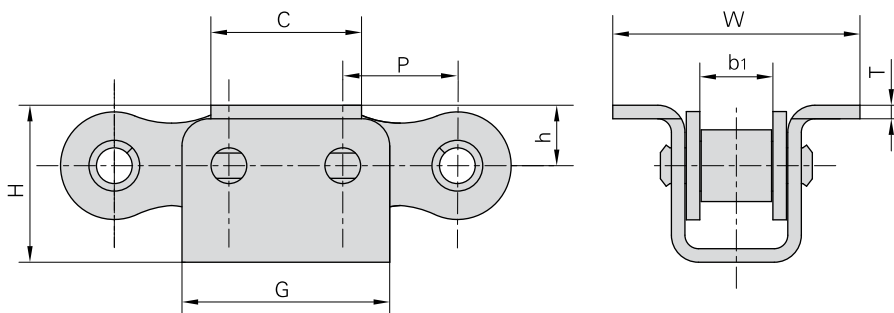
Donghua Chain No. Donghua Ketten Nr.	P	A	B	C	h4
	mm	mm	mm	mm	mm
08AF9-2	12.7	23.0	28.8	16.0	10.0

Sonder-Anbauteile für Rollenketten (A Serie)

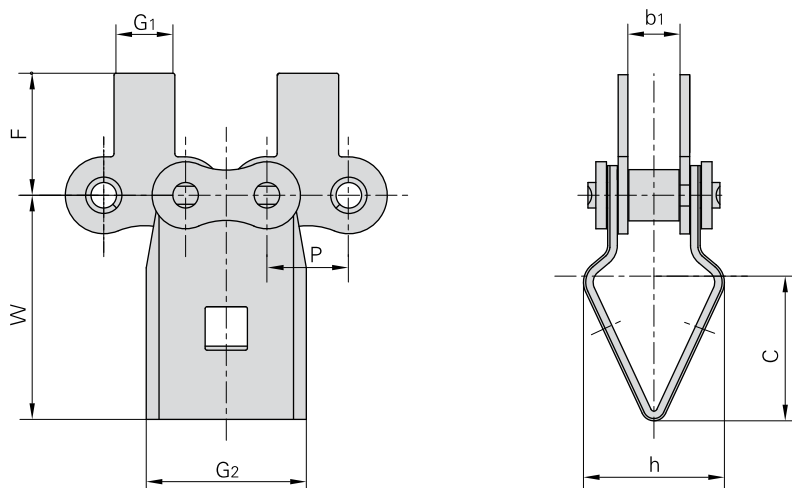
Roller chains with special attachments (A series)

Attache spéciaux pour chaînes à rouleaux (Série A)

Antriebsketten



Donghua Chain No. <i>Donghua Ketten Nr.</i>	P	b ₁	C	G	H	h	W	T
	mm	mm	mm	mm	mm	mm	mm	mm
08A-U1F1	12.7	7.85	16.5	24.5	17.4	7.0	27.4	1.6

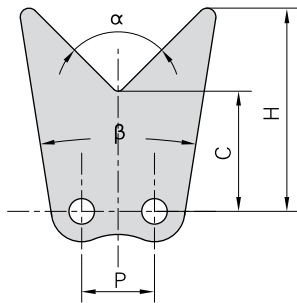


Donghua Chain No. <i>Donghua Ketten Nr.</i>	P	b ₁	G ₁	G ₂	F	W	C	h
	mm	mm	mm	mm	mm	mm	mm	mm
08ASAF1	12.7	7.85	9.5	25.0	19.05	35.0	21.5	22.0

Sonder-Anbauteile für Rollenketten (A Serie)

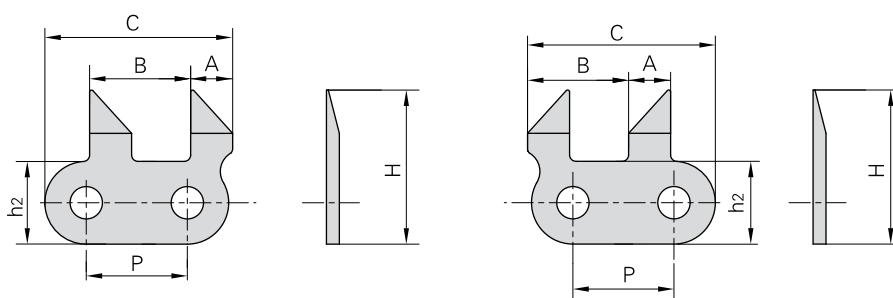
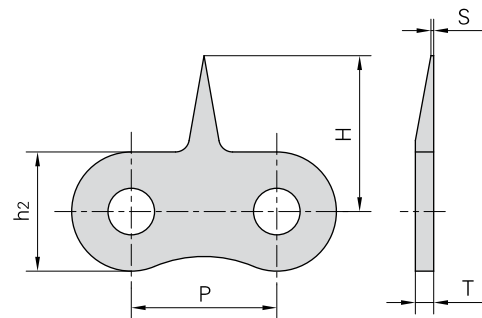
Roller chains with special attachments (A series)

Attache spéciaux pour chaînes à rouleaux (Série A)



Donghua Chain No. <i>Donghua Ketten Nr.</i>	P	C	H	α	β
	mm	mm	mm		
428HJF1	12.7	21.5	36.15	90°	18°
428HJF2	12.7	14.5	33.60	90°	34°

Donghua Chain No. <i>Donghua Ketten Nr.</i>	P	h ₂	H	S	T
	mm	mm	mm	mm	mm
08AF29	12.700	10.60	15.6	–	1.50
08BF90	12.700	10.60	17.0	0.3	1.60
10AF15	15.875	15.09	17.0	–	2.03
10AF2	15.875	13.00	17.0	0.3	2.03
10AF23	15.875	13.00	20.8	0.3	2.03
10AF48	15.875	13.00	16.9	–	2.03
10BF50	15.875	13.70	17.0	0.3	1.70

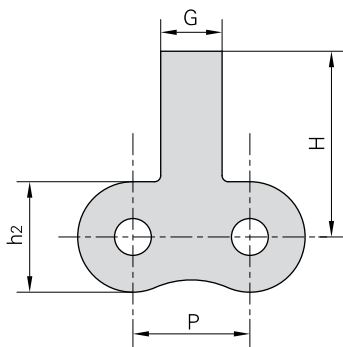


Donghua Chain No. <i>Donghua Ketten Nr.</i>	P	A	B	C	h ₂	H
	mm	mm	mm	mm	mm	mm
10AF8	15.875	6.6	15.875	29.5	13	24.2

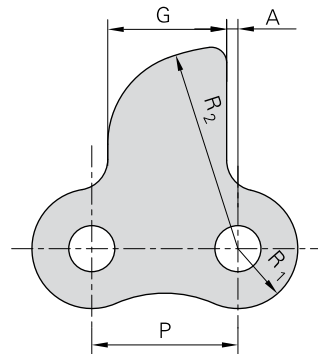
Sonder-Anbauteile für Rollenketten (A Serie)

Roller chains with special attachments (A series)

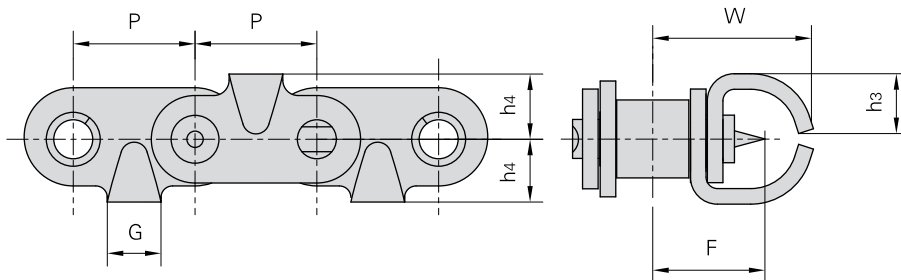
Attache spéciaux pour chaînes à rouleaux (Série A)



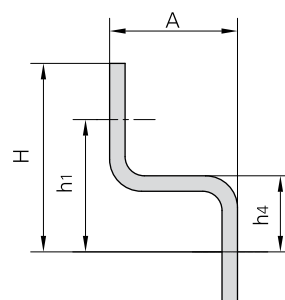
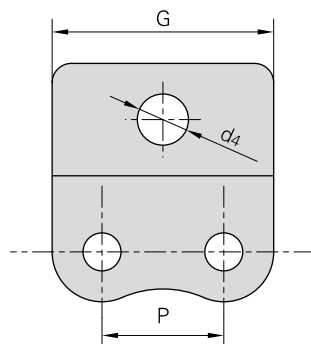
Donghua Chain No. <i>Donghua Ketten Nr.</i>	P	G	H	h ₂
	mm	mm	mm	mm
12ASA	19.05	10.0	204.0	18.0



Donghua Chain No. <i>Donghua Ketten Nr.</i>	P	G	A	R ₁	R ₂
	mm	mm	mm	mm	mm
12AF7	19.05	15.5	1.47	7.8	26.5



Donghua Chain No. <i>Donghua Ketten Nr.</i>	P	G	F	W	h ₃	h ₄
	mm	mm	mm	mm	mm	mm
10AF12	15.875	7.0	14.55	21.2	7.8	8.5

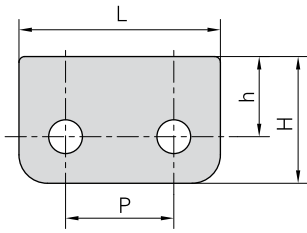


Donghua Chain No. <i>Donghua Ketten Nr.</i>	P	A	G	h ₁	h ₄	H	d ₄
	mm	mm	mm	mm	mm	mm	mm
12AF8	19.05	12.0	37.05	–	12.0	26.50	–
12AF17	19.05	20.0	34.65	20.69	11.9	29.48	8

Sonder-Anbauteile für Rollenketten (A Serie)

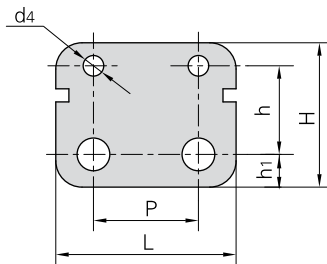
Roller chains with special attachments (A series)

Attache spéciaux pour chaînes à rouleaux (Série A)

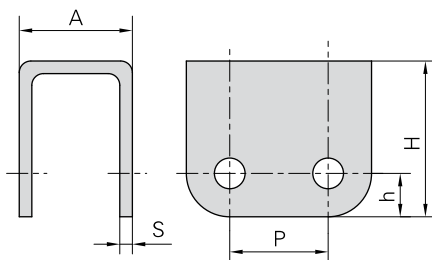


Donghua Chain No. Donghua Ketten Nr.	P	h	H	L
	mm	mm	mm	mm
C60TS	19.05	14.1	22.3	35.45

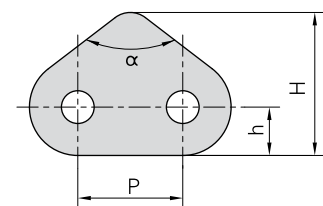
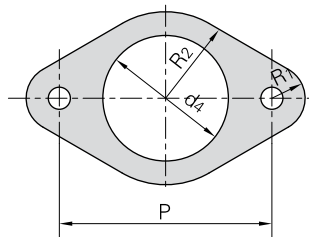
Donghua Chain No. Donghua Ketten Nr.	P	h ₂	H	α
	mm	mm	mm	
16AF5	25.4	11.7	34.6	105°



Donghua Chain No. Donghua Ketten Nr.	P	L	h ₁	h	H	d ₄
	mm	mm	mm	mm	mm	mm
16AF6	25.4	47.63	7.92	21.44	34.93	4.98

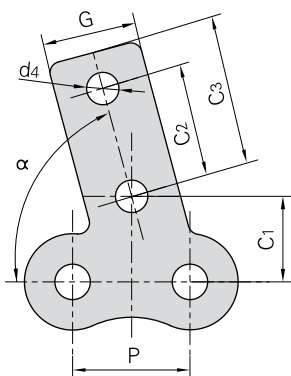


Donghua Chain No. Donghua Ketten Nr.	P	h	H	A	S
	mm	mm	mm	mm	mm
16AF8	25.4	11.2	40.2	29.2	3.1



Donghua Chain No. Donghua Ketten Nr.	P	d ₄	R ₁	R ₂
	mm	mm	mm	mm
16AF13	76.2	45.0	11.9	31.0

Donghua Chain No. Donghua Ketten Nr.	P	h	H	α
	mm	mm	mm	
20AF2	31.75	12.5	51.0	74°

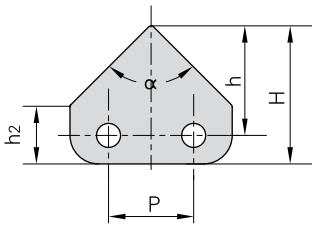


Donghua Chain No. Donghua Ketten Nr.	P	G	C ₁	C ₂	C ₃	d ₄	α
	mm	mm	mm	mm	mm	mm	
20ASK1F1	31.75	25.4	23.0	30.0	40.0	8.7	75°

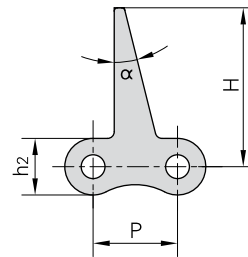
Sonder-Anbauteile für Rollenketten (A Serie)

Roller chains with special attachments (A series)

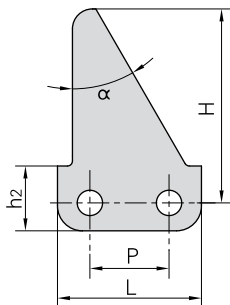
Attache spéciaux pour chaînes à rouleaux (Série A)



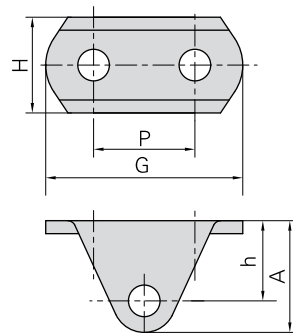
Donghua Chain No. Donghua Ketten Nr.	P	H	h	h ₂	α
	mm	mm	mm	mm	
41F6	12.7	20.6	16.35	8.7	90°



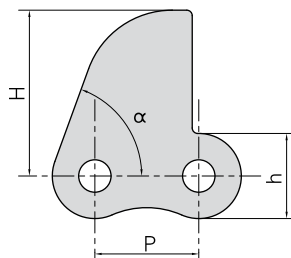
Donghua Chain No. Donghua Ketten Nr.	P	H	h ₂	α
	mm	mm	mm	
41F5	12.7	23.9	8.51	14°



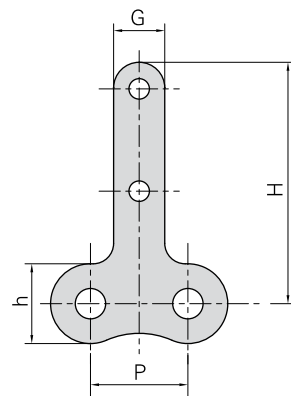
Donghua Chain No. Donghua Ketten Nr.	P	H	h ₂	L	α
	mm	mm	mm	mm	
10ASA0F1	15.875	38.5	13	29.5	30°



Donghua Chain No. Donghua Ketten Nr.	P	H	h	G	A
	mm	mm	mm	mm	m
16AF21	25.4	24	20.1	49.4	28.1



Donghua Chain No. Donghua Ketten Nr.	P	H	h	α
	mm	mm	mm	
12AHF27	19.05	30.2	15.6	70°

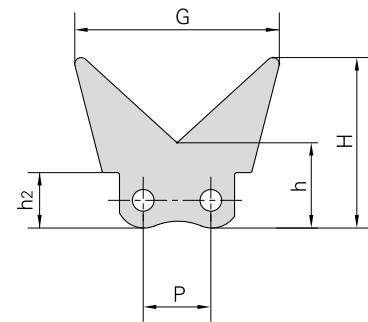
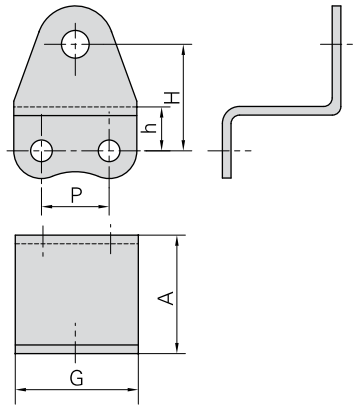
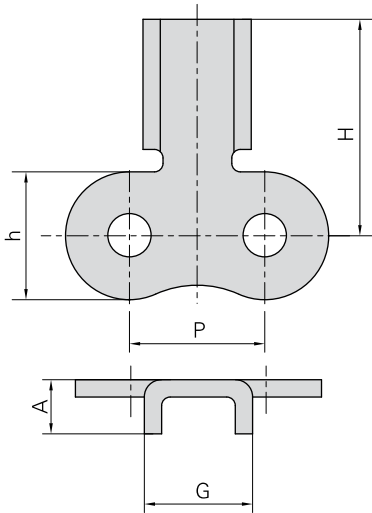


Donghua Chain No. Donghua Ketten Nr.	P	H	h	G
	mm	mm	mm	mm
12AHF30	19.05	47.2	15.6	10

Sonder-Anbauteile für Rollenketten (A Serie)

Roller chains with special attachments (A series)

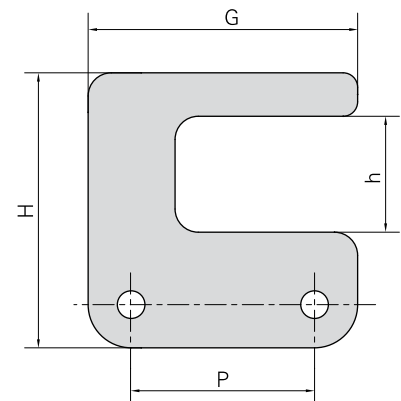
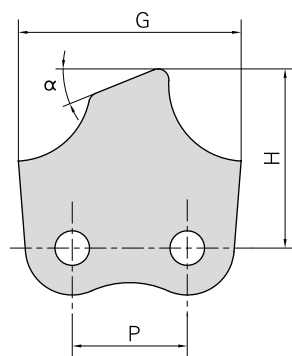
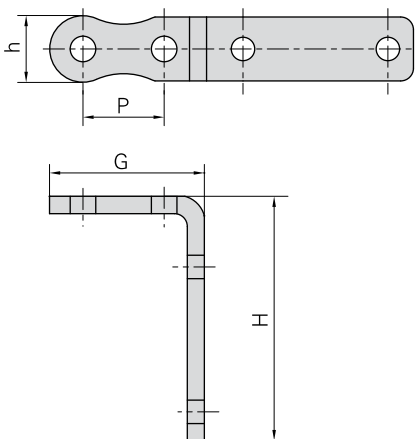
Attache spéciaux pour chaînes à rouleaux (Série A)



Donghua Chain No. Donghua Ketten Nr.	P	H	h	A	G
	mm	mm	mm	mm	mm
10AF25	15.875	25.4	15	6.35	12.7

Donghua Chain No. Donghua Ketten Nr.	P	H	h	A	G
	mm	mm	mm	mm	mm
10AF17	15.875	25	10.3	27.8	28.88

Donghua Chain No. Donghua Ketten Nr.	P	H	h	h ₂	G
	mm	mm	mm	mm	mm
50F21	15.875	40	20	13	48



Donghua Chain No. Donghua Ketten Nr.	P	H	h	G
	mm	mm	mm	mm
12AF44	19.05	55	15.6	36.85

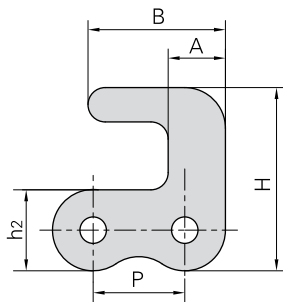
Donghua Chain No. Donghua Ketten Nr.	P	H	G	α
	mm	mm	mm	°
20AF21	31.75	49.46	61.5	22°

Donghua Chain No. Donghua Ketten Nr.	P	H	h	G
	mm	mm	mm	mm
20AF18	63.5	40	15	93

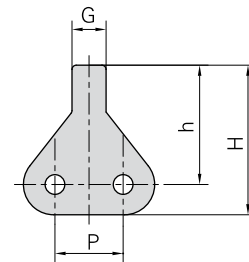
Sonder-Anbauteile für Rollenketten (B Serie)

Roller chains with special attachments (B series)

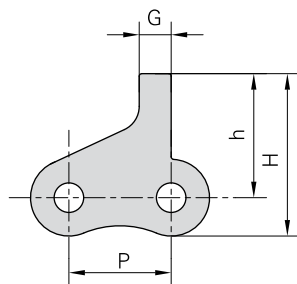
Attache spéciaux pour chaînes à rouleaux (Série B)



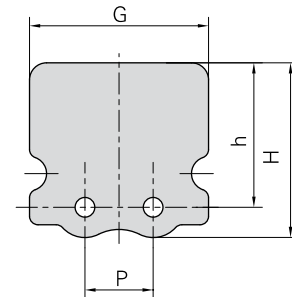
Donghua Chain No. <i>Donghua Ketten Nr.</i>	P	h ₂	H	A	B
	mm	mm	mm	mm	mm
05BF1	8.0	7.1	16.0	5.0	12.0



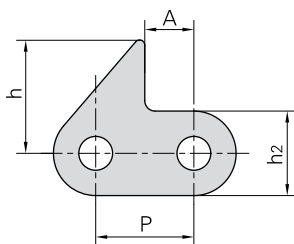
Donghua Chain No. <i>Donghua Ketten Nr.</i>	P	H	h	G
	mm	mm	mm	mm
05BF3	8	17.55	14	4



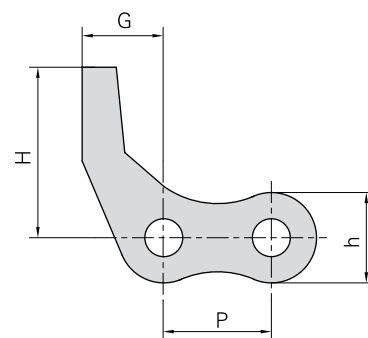
Donghua Chain No. <i>Donghua Ketten Nr.</i>	P	H	h	G
	mm	mm	mm	mm
05BF4	8	12.7	9.7	2.5



Donghua Chain No. <i>Donghua Ketten Nr.</i>	P	H	h	G
	mm	mm	mm	mm
05BF6	8	17.55	16.95	21



Donghua Chain No. <i>Donghua Ketten Nr.</i>	P	h ₂	h	A
	mm	mm	mm	mm
06BF1	9.525	8.2	11.0	4.76
06BF37	9.525	8.2	10.0	4.76

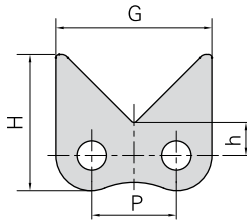


Donghua Chain No. <i>Donghua Ketten Nr.</i>	P	H	h	G
	mm	mm	mm	mm
08B-D53	12.7	20	10.6	11.5

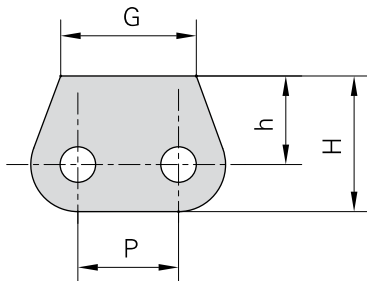
Sonder-Anbauteile für Rollenketten (B Serie)

Roller chains with special attachments (B series)

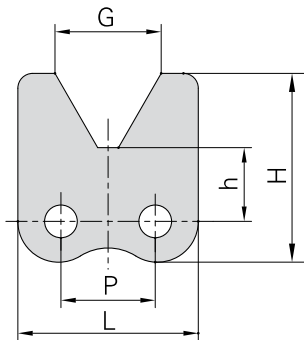
Attache spéciaux pour chaînes à rouleaux (Série B)



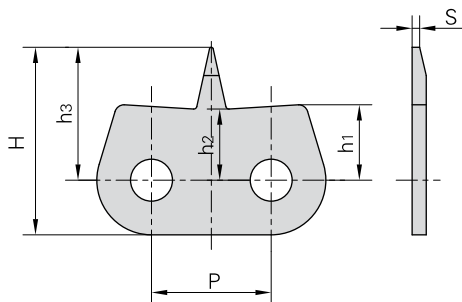
Donghua Chain No. Donghua Ketten Nr.	P	H	h	G
	mm	mm	mm	mm
08BF73	12.7	20.5	5	23.5



Donghua Chain No. Donghua Ketten Nr.	P	H	h	G
	mm	mm	mm	mm
08BSK0F2	12.7	17	11.1	17



Donghua Chain No. Donghua Ketten Nr.	P	H	h	G	L
	mm	mm	mm	mm	mm
08BF61	12.7	25.4	9.9	14.3	24.3

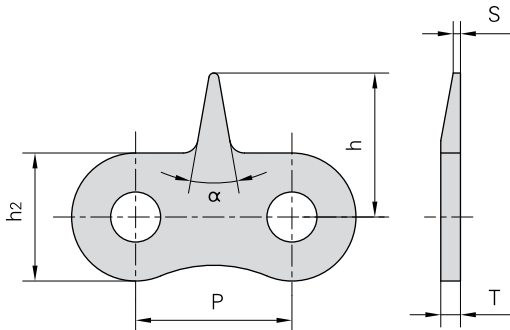


Donghua Chain No. Donghua Ketten Nr.	P	h1	h2	h3	H	s
	mm	mm	mm	mm	mm	mm
08BF11	12.7	8.0	7.8	14.1	19.9	0.8

Sonder-Anbauteile für Rollenketten (B Serie)

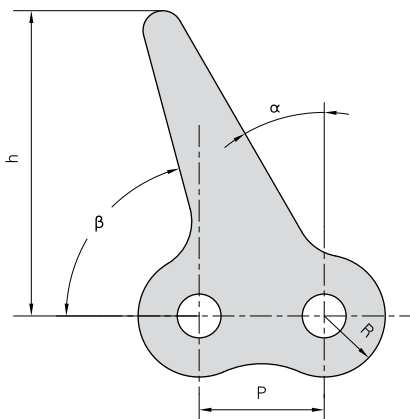
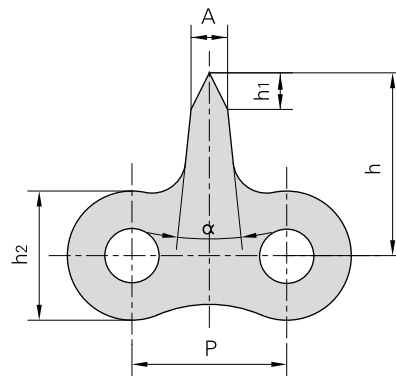
Roller chains with special attachments (B series)

Attache spéciaux pour chaînes à rouleaux (Série B)

Antriebsketten


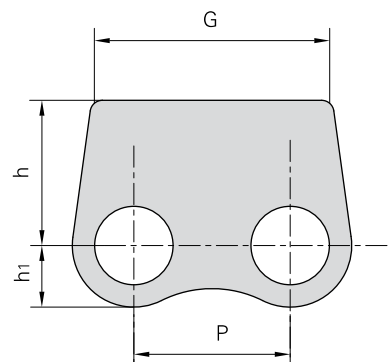
Donghua Chain No. Donghua Ketten Nr.	P	h ₂	h	T	S	α
	mm	mm	mm	mm	mm	
08BF25	12.70	10.6	15.6	1.60	–	30°
08BF29	12.70	10.6	14.5	1.60	0.8	30°
08BF30	12.70	10.6	14.5	1.60	0.3	30°
08BF35	12.70	10.6	21.5	1.60	0.6	30°
08BF67	12.70	10.6	16.1	1.60	0.3	30°
12B-1STCF1	19.05	15.0	19.0	1.85	–	30°

Donghua Chain No. Donghua Ketten Nr.	P	h ₁	h ₂	h	A	α
	mm	mm	mm	mm	mm	
08BF21	12.7	3.0	10.6	15.0	3.0	12°



Donghua Chain No. Donghua Ketten Nr.	P	R	h	α	β
	mm	mm	mm		
08BF24	12.7	6.2	31.0	30°	75°

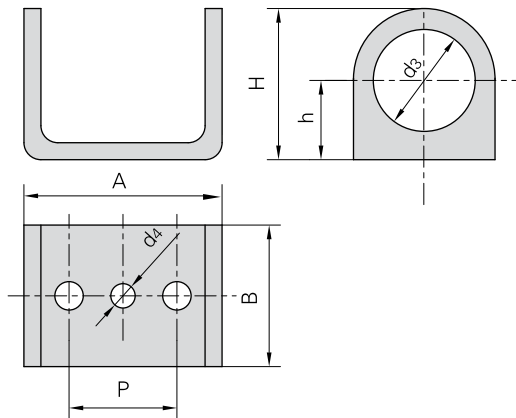
Donghua Chain No. Donghua Ketten Nr.	P	h ₁	h	G
	mm	mm	mm	mm
08BF37	12.7	5.0	11.8	20.0



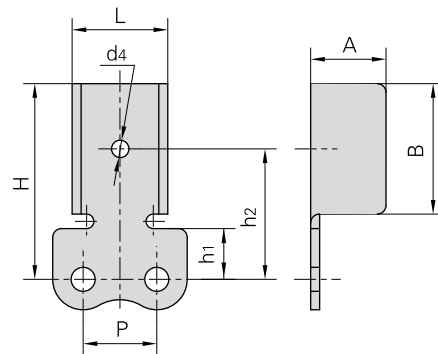
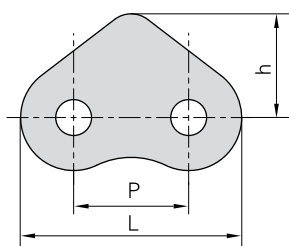
Sonder-Anbauteile für Rollenketten (B Serie)

Roller chains with special attachments (B series)

Attache spéciaux pour chaînes à rouleaux (Série B)



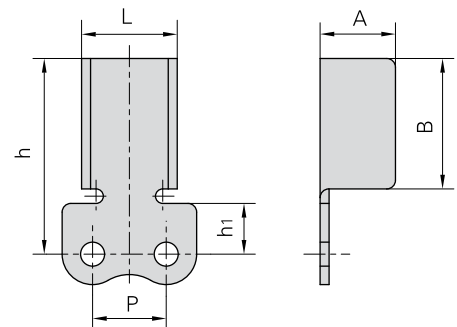
Donghua Chain No. Donghua Ketten Nr.	P	h	H	A	B	d ₃	d ₄
	mm	mm	mm	mm	mm	mm	mm
12B-K188	19.05	14.0	26.7	35.0	25.0	18.0	4.3



Donghua Chain No. Donghua Ketten Nr.	P	L	h
	mm	mm	mm
16BF6	25.4	46.0	30.0

Donghua Chain No. Donghua Ketten Nr.	P	h ₁	h ₂	H	A	B	d ₄	L
	mm	mm	mm	mm	mm	mm	mm	mm
16BF11	25.4	24.5	47.5	64.5	36.0	35.0	6.0	52.7

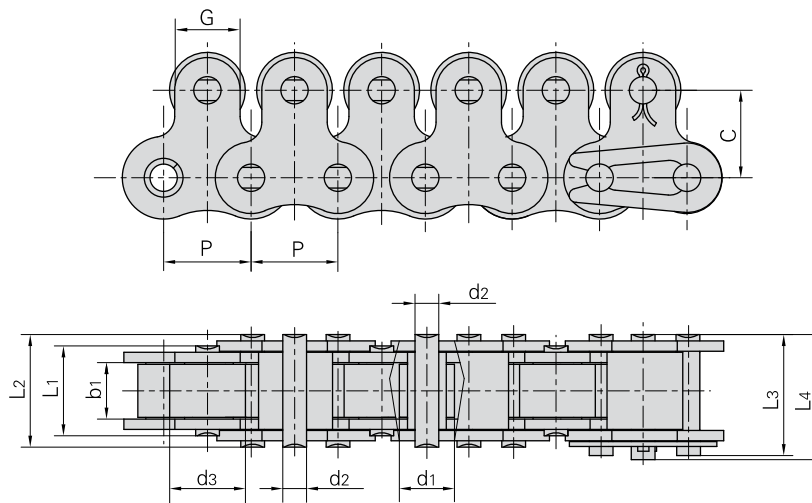
Donghua Chain No. Donghua Ketten Nr.	P	h ₁	h	A	B	L
	mm	mm	mm	mm	mm	mm
20BF2	31.75	30.0	70.0	43.0	35.0	65.15



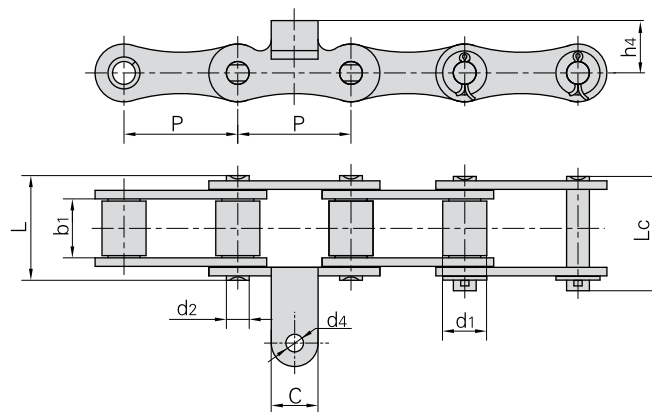
Rollenketten mit Sonder-Anbauteilen

Roller chains with special attachments

Chaînes à rouleaux avec attache spéciaux



Donghua Chain No. Donghua Ketten Nr.	Pitch	Roller diameter		Width between inner plates	Pin diameter	Pin length				Plate dimension		Ultimate tensile strength	Weight per meter
	Teilung	Rollen-durchmesser		Innere Breite	Bolzen-durchmesser	Bolzen-länge				Laschen-abmessungen		Min. Bruchkraft	Gewicht
	P	d1 max	d3 max	b1 min	d2 max	L1 max	L2 max	L3 max	L4 max	G	C	Q min	q
	mm	mm	mm	mm	mm	mm	mm	mm	mm	mm	mm	kN/LB	kg/m
40-1-1LTR	12.700	7.95	11.0	7.85	3.96	13.5	16.6	17.8	18.8	9.5	12.7	14.1/3250	1.44
50-1-1LTR	15.875	10.16	15.0	9.40	5.08	16.5	20.7	22.2	23.3	12.7	15.9	22.2/5405	2.30
60-1-1LTR	19.050	11.91	18.0	12.57	5.94	21.0	25.9	27.7	28.3	15.9	18.3	31.8/7227	3.40
80-1-1LTR	25.400	15.88	24.0	15.75	7.92	26.2	32.7	35.0	36.5	19.1	24.6	56.7/12886	5.90
100-1-1LTR	31.750	19.05	30.0	18.90	9.53	32.3	40.4	44.7	44.7	25.4	31.8	88.5/20114	8.90

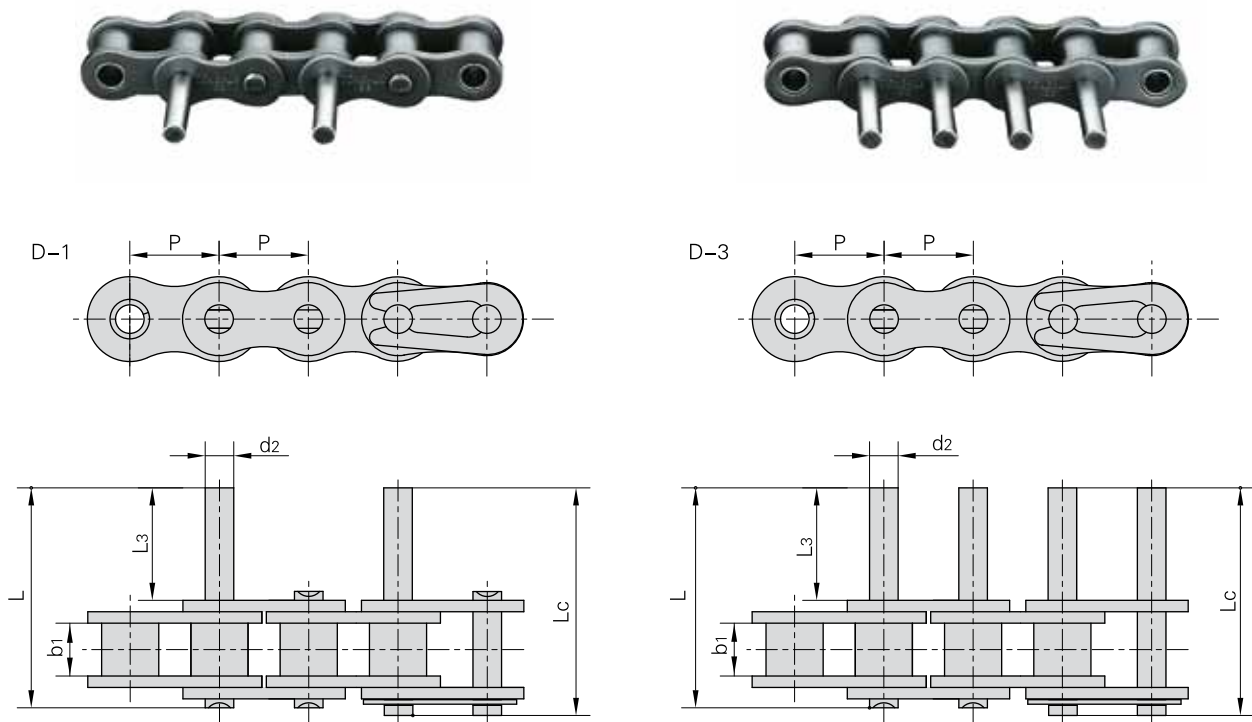


Donghua Chain No. Donghua Ketten Nr.	Pitch	Roller diameter	Width between inner plates	Pin diameter	Pin length		Plate dimension			Ultimate tensile strength	Average tensile strength	Weight per meter
	Teilung	Rollen-durchmesser	Innere Breite	Bolzen-durchmesser	Bolzen-länge		Laschen-abmessungen			Min. Bruchkraft	Durchschn. Bruchkraft	Gewicht
	P	d1 max	b1 min	d2 max	L max	Lc max	C	h4	d4	Q min	Q0 min	q
	mm	mm	mm	mm	mm	mm	mm	mm	mm	kN/LB	kN	kg/m
41PF	41.3	16.0	21.1	8.28	38.5	42.2	17.0	19.0	6.4	48.0/10906	52.8	2.57

Rollenketten mit Mitnehmerbolzen

Short pitch roller chains with extended pins

Chaînes à rouleaux à axes prolongés

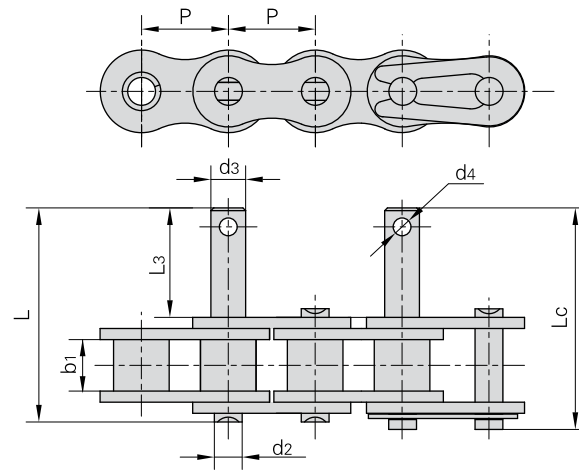


DIN/ISO Chain No. <i>DIN/ISO Ketten Nr.</i>	ANSI Chain No. <i>ANSI Ketten Nr.</i>	P	b ₁	d ₂	L ₃	L	L _c
		mm	mm	mm	mm	mm	mm
06C	35	9.525	4.77	3.58	9.5	20.8	21.6
08A	40	12.700	7.85	3.96	9.5	25.1	26.2
10A	50	15.875	9.40	5.08	11.9	31.3	33.1
12A	60	19.050	12.57	5.94	14.3	38.6	40.6
16A	80	25.400	15.75	7.92	19.1	50.3	53.3
20A	100	31.750	18.90	9.53	23.8	61.8	66.1
24A	120	38.100	25.22	11.10	28.6	76.4	80.4
28A	140	44.450	25.22	12.70	33.3	84.8	89.4
32A	160	50.800	31.55	14.27	38.1	99.6	104.4
08B		12.700	7.75	4.45	9.5	25.1	26.6
10B		15.875	9.65	5.08	11.9	30.1	31.5
12B		19.050	11.68	5.72	14.3	35.4	37.1
16B		25.400	17.02	8.28	19.1	53.0	54.3
20B		31.750	19.56	10.19	41.0	79.9	83.6
24B		38.100	25.40	14.63	50.7	101.4	105.8
28B		44.450	30.99	15.90	61.9	124.0	128.4
32B		50.800	30.99	17.81	64.8	126.8	131.8

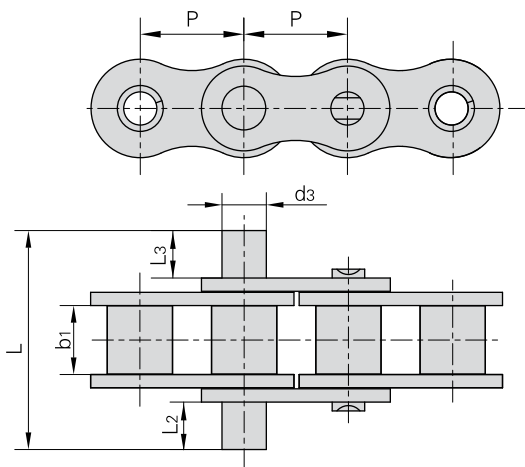
Rollenketten mit Sonder-Mitnehmerbolzen

Roller chains with special extended pins

Chaînes à rouleaux à axes prolongés spéciaux



Donghua Chain No. <i>Donghua Ketten Nr.</i>	P	b1	d2	d3	L3	L	Lc	d4
	mm	mm	mm	mm	mm	mm	mm	mm
10A-D9	15.875	9.40	5.08	6.35	20.0	39.5	41.1	-
16AF1	25.400	15.88	7.92	9.00	20.0	51.2	54.7	-
08B-D4	12.700	7.75	4.45	6.00	15.0	31.2	32.4	-
08B-D7	12.700	7.75	4.45	6.00	14.0	30.2	31.4	2.6
08BF3	12.700	7.75	4.45	6.00	8.0	24.2	25.4	-
10BF2	15.875	9.65	5.08	6.00	25.0	43.4	44.8	-
10BF3	15.875	9.65	5.08	8.00	25.0	43.4	44.8	-
10B-D7	15.875	9.65	5.08	6.50	40.0	58.5	60.1	-
12B-D5	19.050	11.68	5.72	8.00	40.0	61.4	63.1	-
12B-D6	19.050	11.68	5.72	6.00	20.0	41.1	42.9	-
12B-D7	19.050	11.68	5.72	8.00	25.0	46.4	48.2	-

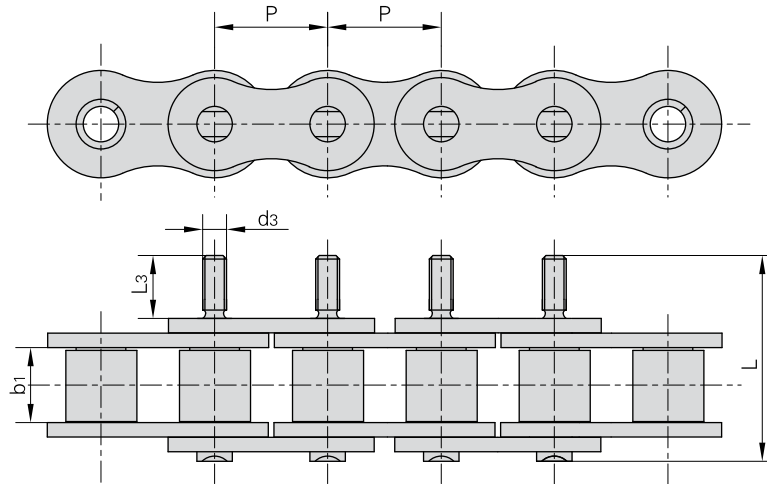


Donghua Chain No. <i>Donghua Ketten Nr.</i>	P	b1	d3	L2	L3	L
	mm	mm	mm	mm	mm	mm
12A-D7	19.050	12.57	8.10	8.6	8.6	40.0
06B-D4	9.525	5.72	3.28	3.0	5.0	19.4
08B-D8	12.700	7.75	4.45	10.0	38.0	62.5
08BF7	12.700	7.75	4.45	3.0	5.0	22.8
16BF4	25.400	17.02	8.28	18.0	18.0	68.0

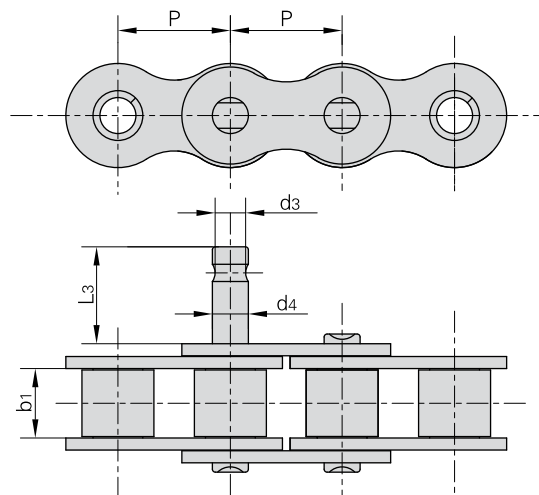
Rollenketten mit Sonder-Mitnehmerbolzen

Roller chains with special extended pins

Chaînes à rouleaux à axes prolongés spéciaux



Donghua Chain No. <i>Donghua Ketten Nr.</i>	P	b ₁	d ₃	L ₃	L
	mm	mm	mm	mm	mm
12AF19	19.05	12.57	M4	10.0	34.5
12BF13	19.05	11.68	M4	10.0	31.0

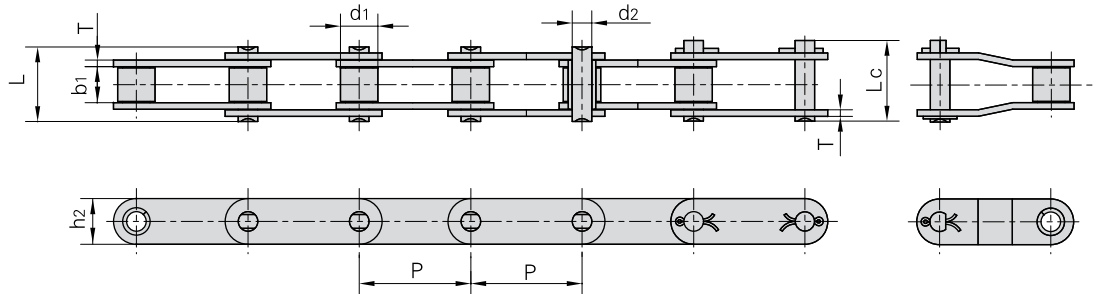
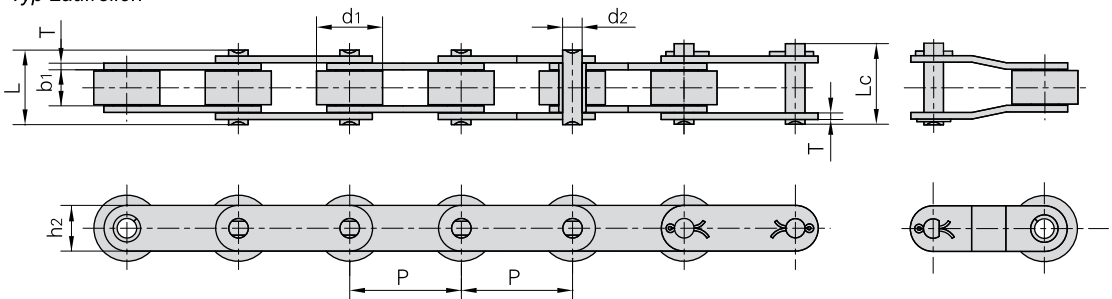


Donghua Chain No. <i>Donghua Ketten Nr.</i>	P	b ₁	d ₃	d ₄	L ₃
	mm	mm	mm	mm	mm
10B-D9	15.875	9.65	4.5	5.08	13.0
10B-D12	15.875	9.65	4.5	5.08	12.0
12B-D8	19.05	11.68	5.15	5.72	13.0

Langgliedrige Rollenketten

Extended pitch roller chains

Chaînes à rouleaux à pas long

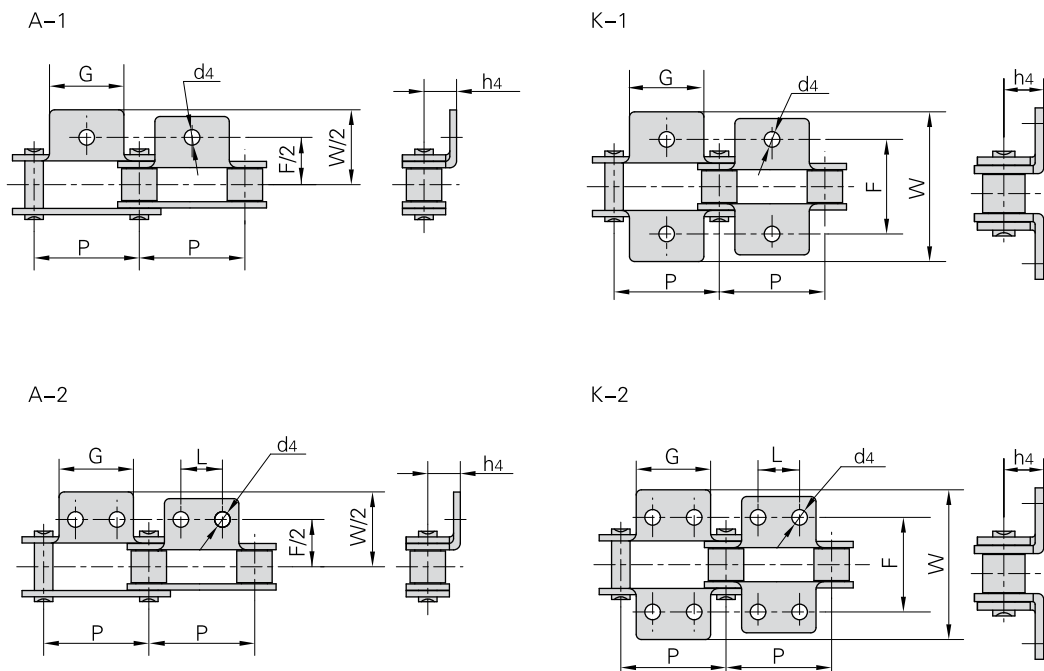
Antriebsketten
Small Roller Type Typ Schonrollen

Large Roller Type Typ Laufrollen


DIN/ISO Chain No. DIN/ISO Ketten Nr.	ANSI Chain No. ANSI Ketten Nr.	Pitch	Roller diameter	Width between inner plates	Pin diameter	Pin length		Inner plate depth	Plate thickness	Ultimate tensile strength	Average tensile strength	Weight per meter
		<i>Teilung</i>	<i>Rollen-durchmesser</i>	<i>Innere Breite</i>	<i>Bolzen-durchmesser</i>	<i>Bolzen-länge</i>	<i>Bolzen-länge</i>	<i>Innen-laschen-höhe</i>	<i>Laschen-dicke</i>	<i>Min. Bruchkraft</i>	<i>Durchschn. Bruchkraft</i>	<i>Gewicht</i>
		P	d1 max	b1 min	d2 max	L max	Lc max	h2 max	T max	Q min	Q0	q
		mm	mm	mm	mm	mm	mm	mm	mm	kN/LB	kN	kg/m
C208A	C2040	25.40	7.95	7.85	3.96	16.6	17.8	12.0	1.50	14.1/3205	16.7	0.50
C208AL	C2042		15.88									
C208AH	C2040H	25.40	7.95	7.85	3.96	18.8	19.9	12.0	2.03	14.1/3205	17.2	0.65
C208B		25.40	8.51	7.75	4.45	16.7	18.2	11.8	1.60	18.0/4091	19.4	0.55
C208BL			15.88									
C210A	C2050	31.75	10.16	9.40	5.08	20.7	22.2	15.0	2.03	22.2/5045	28.1	0.78
C210AL	C2052		19.05									
C212A	C2060	38.10	11.91	12.57	5.94	25.9	27.7	18.0	2.42	31.8/7227	36.8	1.12
C212AL	C2062		22.23									
C212AH	C2060H	38.10	11.91	12.57	5.94	29.2	31.6	18.0	3.25	31.8/7227	41.6	1.44
C212AHL	C2062H		22.23									
C216A	C2080	50.80	15.88	15.75	7.92	32.7	36.5	24.0	3.25	56.7/12886	65.7	2.08
C216AL	C2082		28.58									
C216AH	C2080H	50.80	15.88	15.75	7.92	36.2	39.4	24.0	4.00	56.7/12886	70.0	2.54
C216AHL	C2082H		28.58									
C220A	C2100	63.50	19.05	18.90	9.53	40.4	44.7	30.0	4.00	88.5/20114	102.6	3.01
C220AL	C2102		39.67									
C220AH	C2100H	63.50	19.05	18.90	9.53	43.6	46.9	30.0	4.80	88.5/20114	112.4	3.56
C220AHL	C2102H		39.67									
C224A	C2120	76.20	22.23	25.22	11.10	50.3	54.3	35.7	4.80	127.0/28864	147.3	4.66
C224AL	C2122		44.45									
C224AH	C2120H	76.20	22.23	25.22	11.10	53.5	57.5	35.7	5.60	127.0/28864	160.9	5.26
C224AHL	C2122H		44.45									
C232A	C2160	101.60	28.58	31.75	14.27	64.8	69.6	47.8	6.40	226.8/51545	278.9	8.15
C232AL	C2162		57.15									
C232AH	C2160H	101.60	28.58	31.75	14.27	68.2	73.0	47.8	7.20	226.8/51545	285.8	9.06
C232AHL	C2162H		57.15									

Anbauteile für langgliedrige Rollenketten

Extended pitch roller chains with attachments

Chaînes à rouleaux à pas long avec pattes d'attache spéciale

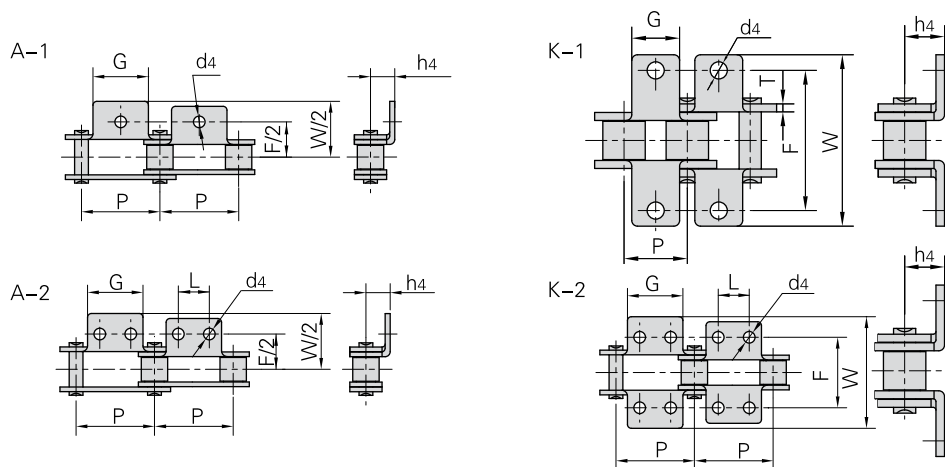


DIN/ISO Chain No. <i>DIN/ISO Ketten Nr.</i>	ANSI Chain No. <i>ANSI Ketten Nr.</i>	P	G	L	F	W	h ₄	d ₄
		mm	mm	mm	mm	mm	mm	mm
C208A C208AL	C2040 C2042	25.40	19.1	9.5	25.4	39.6	9.1	3.4
C208B C208BL		25.40	23.2	12.7	25.4	39.6	9.1	4.5
C210A C210AL	C2050 C2052	31.75	23.8	11.9	31.8	49.0	11.1	5.5
C212A C212AL	C2060 C2062	38.10	28.6	14.3	42.9	67.8	14.7	5.5
C212AH C212AHL	C2060H C2062H	38.10	28.6	14.3	42.9	67.8	14.7	5.5
C216A C216AL	C2080 C2082	50.80	38.1	19.1	55.6	87.8	19.1	6.8
C216AH C216AHL	C2080H C2082H	50.80	38.1	19.1	55.6	87.8	19.1	6.8
C220A C220AL	C2100 C2102	63.50	47.6	23.8	66.6	107.5	23.4	9.2
C220AH C220AHL	C2100H C2102H	63.50	47.6	23.8	66.6	107.5	23.4	9.2
C224A C224AL	C2120 C2122	76.20	57.2	28.6	79.3	121.4	27.8	11.0
C224AH C224AHL	C2120H C2122H	76.20	57.2	28.6	79.3	121.4	27.8	11.0
C232A C232AL	C2160 C2162	101.60	76.2	38.1	104.7	151.6	36.5	13.1
C232AH C232AHL	C2160H C2162H	101.60	76.2	38.1	104.7	151.6	36.5	13.1

Anbauteile für langgliedrige Rollenketten

Extended pitch roller chains with attachments

Chaînes à rouleaux à pas long avec pattes d'attache spéciale



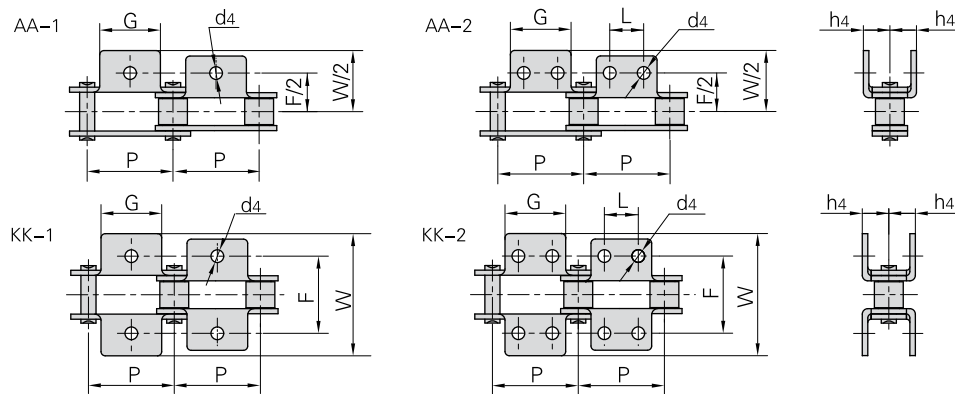
Donghua Chain No. <i>Donghua Ketten Nr.</i>	P	G	L	F	W	h4	d4
	mm	mm	mm	mm	mm	mm	mm
C208AF1	25.40	19.0	–	25.7	38.3	8.8	4.1
C2042F1	25.40	19.0	–	25.4	40.0	9.0	5.2
C2040A1F3	25.40	19.0	–	25.4	38.2	19.8	5.3
C2042A1F4	25.40	19.0	–	25.4	39.6	9.1	5.0
C2040A2F1	25.40	19.0	9.00	25.4	38.4	9.0	5.2
C2042HK1F1	25.40	19.0	–	47.0	60.0	9.1	7.0
C2050A1F6	31.75	23.8	–	31.8	49.0	11.4	6.3
C2052A2F1	31.75	19.0	11.90	31.8	49.0	11.1	6.0
C2052A2F2	31.75	19.0	15.88	31.8	49.0	11.1	5.5
C2052A2F3	31.75	25.8	12.70	31.8	49.2	11.1	4.8
C2060K1F1	38.10	28.6	–	42.9	68.0	14.7	8.5
C2062HK1F5	38.10	28.6	–	42.9	67.8	14.7	7.9
C2062A1F13	38.10	30.0	–	70.2	98.0	14.7	8.5
C2062A2F6	38.10	28.6	14.30	42.9	67.8	14.7	6.0
C2062K2F7	38.10	28.6	14.30	42.9	67.8	14.7	6.5
C2060HF3A2	38.10	28.6	14.30	42.9	67.8	14.7	5.2
C2062HF15	38.10	28.6	14.30	42.9	67.8	14.7	M5
C2060HK1F	38.10	28.6	–	42.9	67.8	14.7	8.0
C2062HA1F4	38.10	20.0	–	45.8	65.8	9.0	6.8
C2062HK1F5	38.10	28.6	–	42.9	67.8	14.7	7.9
C2062HA1F7	38.10	28.6	–	42.9	67.8	14.7	5.2
C2060HA1F12	38.10	28.0	–	43.4	61.8	13.9	6.6
C2060HK2F3	38.10	28.6	14.30	42.9	64.8	14.7	5.0
C2062HK2F4	38.10	28.6	14.30	42.9	56.4	14.7	5.2
C2062HK2F5	38.10	28.6	14.30	55.6	76.0	11.1	5.5
C216AF3	50.80	39.0	19.10	59.0	78.5	23.0	7.0
C2082A2F1	50.80	39.0	19.00	58.0	82.0	21.5	7.0
C2082A2F2	50.80	39.0	19.00	58.0	82.0	21.5	10.0
C2082K2F5	50.80	38.1	19.10	120.0	140.0	19.1	6.8
C2080HF	50.80	38.1	19.10	55.6	75.2	17.8	10.0
C2082HK1F5	50.80	38.1	–	55.6	79.6	19.1	8.0
C2082HA1F6	50.80	38.1	–	55.6	77.8	19.1	10.0

Anbauteile für langgliedrige Rollenketten

Extended pitch roller chains with attachments

Chaînes à rouleaux à pas long avec pattes d'attache spéciale

Donghua Chain No. <i>Donghua Ketten Nr.</i>	P	G	L	F	W	h4	d4
	mm	mm	mm	mm	mm	mm	mm
C2082HK1F7	50.8	38.1	–	55.6	79.6	19.10	6.5
C2080HK1F8	50.8	38.1	–	55.6	87.8	19.10	9.0
C2082HK1F9	50.8	38.1	–	55.6	81.5	19.10	M8
C2080HA1F12	50.8	38.1	19.1	55.6	73.0	19.10	8.1
C2080HK1F13	50.8	38.1	–	55.6	80.0	19.10	9.0
C2082HA1F17	50.8	38.1	–	55.6	87.8	19.10	9.5
C2080HSLRA2F5	50.8	38.1	22.2	63.5	87.8	19.05	8.8
C2082HA2F6	50.8	38.1	19.1	55.6	87.8	19.10	8.0
C2100HK1F1	63.5	47.6	–	66.0	92.0	25.00	12.5
C220ALA2F5	63.5	52.0	31.0	66.6	107.4	23.40	9.2
C220AHK1F1	63.5	47.6	–	66.0	92.0	25.00	12.5

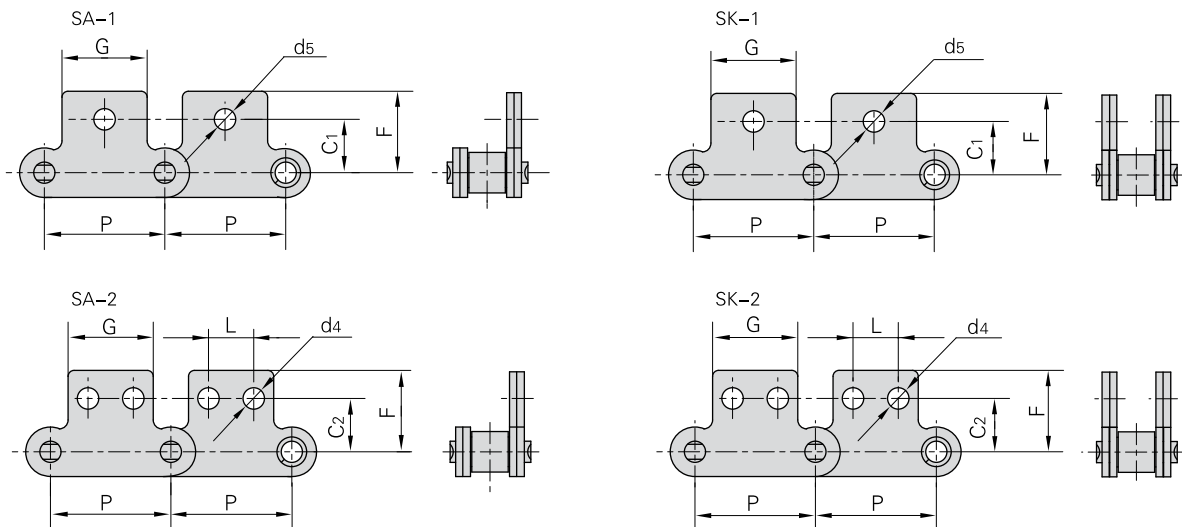


Donghua Chain No. <i>Donghua Ketten Nr.</i>	ANSI Chain No. <i>ANSI Ketten Nr.</i>	P	G	L	F	W	h4	d4
		mm	mm	mm	mm	mm	mm	mm
C208A C208AL	C2040 C2042	25.40	19.1	9.5	25.4	39.6	9.1	3.4
C208B C208BL		25.40	23.2	12.7	25.4	39.6	9.1	4.5
C210A C210AL	C2050 C2052	31.75	23.8	11.9	31.8	49.0	11.1	5.5
C212A C212AL	C2060 C2062	38.10	28.6	14.3	42.9	67.8	14.7	5.5
C212AH C212AHL	C2060H C2062H	38.10	28.6	14.3	42.9	67.8	14.7	5.5
C216A C216AL	C2080 C2082	50.80	38.1	19.1	55.6	87.8	19.1	6.8
C216AH C216AHL	C2080H C2082H	50.80	38.1	19.1	55.6	87.8	19.1	6.8
2060AA2F1		38.10	38.1	19.0	37.5	57.5	14.8	6.5
C2080K1F4		50.80	38.1	–	80.0	112.0	15.3	8.5
C2082HAA1F1		50.80	25.0	–	78.8	128.8	17.5	8.0
C2082HAA1F2		50.80	25.0	–	77.8	127.8	17.5	12.0

Anbauteile für langgliedrige Rollenketten

Extended pitch roller chains with attachments

Chaînes à rouleaux à pas long avec pattes d'attache spéciale

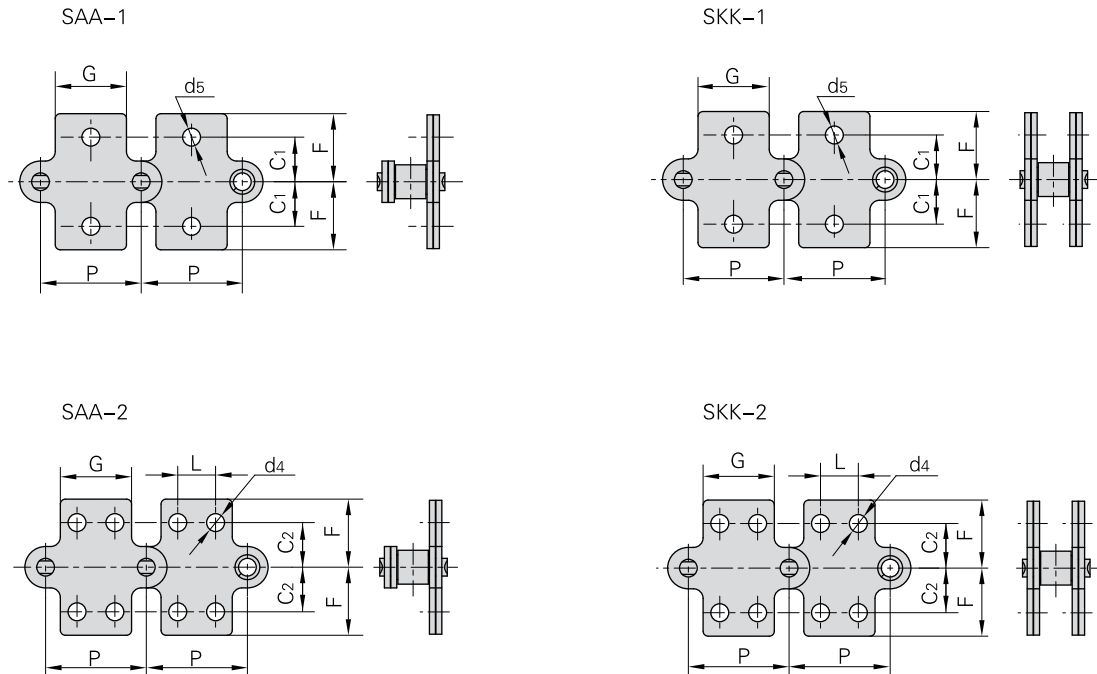


Donghua Chain No. <i>Donghua Ketten Nr.</i>	ANSI Chain No. <i>ANSI Ketten Nr.</i>	P	G	L	C ₁	C ₂	F	d ₄	d ₅
		mm	mm	mm	mm	mm	mm	mm	mm
C208A C208AL	C2040 C2042	25.40	19.1	9.5	11.1	13.5	20.5	3.4	5.50
C208B C208BL		25.40	23.2	12.7	11.1	13.5	20.5	4.5	5.50
C210A C210AL	C2050 C2052	31.75	23.8	11.9	14.3	15.9	25.0	5.5	6.60
C212A C212AL	C2060 C2062	38.10	28.6	14.3	17.5	19.1	32.9	5.5	9.20
C212AH C212AHL	C2060H C2062H	38.10	28.6	14.3	17.5	19.1	32.9	5.5	9.20
C216A C216AL	C2080 C2082	50.80	38.1	19.1	22.2	25.4	43.5	6.6	11.00
C216AH C216AHL	C2080H C2082H	50.80	38.1	19.1	22.2	25.4	43.5	6.6	11.00
C220A C220AL	C2100 C2102	63.50	47.6	23.8	28.6	31.8	50.4	8.4	13.00
C220AH C220AHL	C2100H C2102H	63.50	47.6	23.8	28.6	31.8	50.4	8.4	13.00
C2060SA2F1		38.10	28.6	14.3	-	19.1	26.1	5.5	-
C2062HSK2F1		38.10	29.6	14.3	-	19.1	23.8	5.2	-
C224ALSK2F1		76.20	57.2	28.6	-	37.3	59.9	-	11.00
C2122HSA1F1		76.20	57.2	-	37.3	-	59.9	-	14.30
C224AHLSA2F1		76.20	57.2	28.6	-	37.3	59.9	-	9.53
208BSK1F2		25.40	14.0	-	17.7	-	21.3	-	3.20
208BSK1F3		25.40	13.0	-	14.7	-	26.7	-	3.10
208BSK1F4		25.40	24.2	-	14.3	-	20.5	-	4.20

Anbauteile für langgliedrige Rollenketten

Extended pitch roller chains with attachments

Chaînes à rouleaux à pas long avec pattes d'attache spéciale

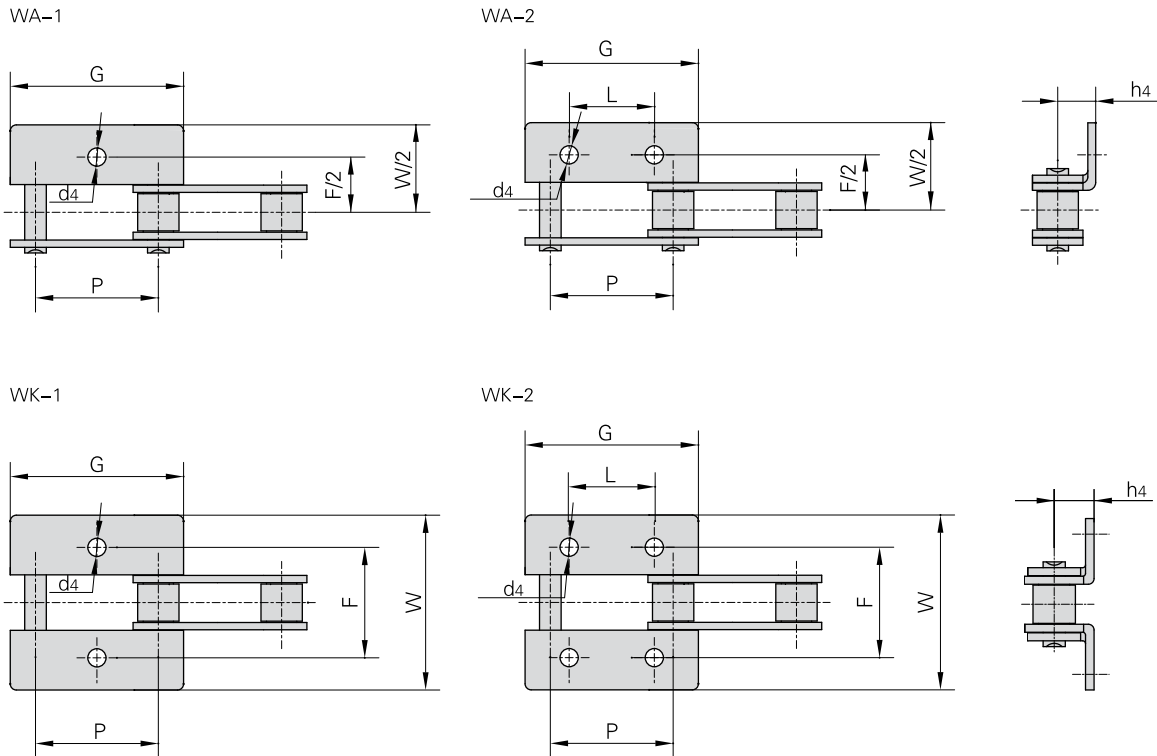


Donghua Chain No. <i>Donghua Ketten Nr.</i>	ANSI Chain No. <i>ANSI Ketten Nr.</i>	P	G	L	C ₁	C ₂	F	d ₄	d ₅
		mm	mm	mm	mm	mm	mm	mm	mm
C208A C208AL	C2040 C2042	25.40	19.1	9.5	11.1	13.5	20.5	3.4	5.5
C208B C208BL		25.40	23.2	12.7	11.1	13.5	20.5	4.5	5.5
C210A C210AL	C2050 C2052	31.75	23.8	11.9	14.3	15.9	25.0	5.5	6.6
C212A C212AL	C2060 C2062	38.10	28.6	14.3	17.5	19.1	32.9	5.5	9.2
C212AH C212AHL	C2060H C2062H	38.10	28.6	14.3	17.5	19.1	32.9	5.5	9.2
C216A C216AL	C2080 C2082	50.80	38.1	19.1	22.2	25.4	43.5	6.6	11.0
C216AH C216AHL	C2080H C2082H	50.80	38.1	19.1	22.2	25.4	43.5	6.6	11.0

Anbauteile für langgliedrige Rollenketten

Extended pitch roller chains with attachments

Chaînes à rouleaux à pas long avec pattes d'attache spéciale

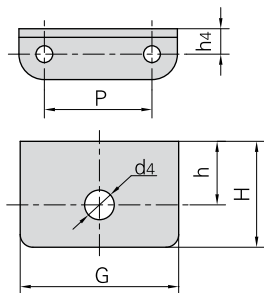


Donghua Chain No. <i>Donghua Ketten Nr.</i>	P	G	L	F	W	h4	d4
	mm	mm	mm	mm	mm	mm	mm
C2040K1F2	25.40	37.0	–	62.0	110.0	9.1	7.0
C2042HF1	25.40	37.4	–	42.5	65.5	6.0	7.0
C2052WA1F2	31.75	46.8	–	76.2	95.2	7.5	7.1
C2062WA2F1	38.10	56.1	38.1	42.9	67.8	14.7	6.5
C2062WK2F2	38.10	56.1	38.1	43.0	68.0	14.7	7.8
C2062HWA1F4	38.10	55.6	–	76.2	95.3	8.7	7.1
C2062HWA2	38.10	56.1	14.3	42.9	67.8	14.7	5.5
C2062HWA2F4	38.10	55.6	38.1	76.2	95.3	8.7	7.1
C216ALF5	50.80	74.8	44.3	62.2	88.0	19.1	7.0
C2082F12	50.80	74.8	50.8	55.6	88.0	19.1	8.4
C2082F24	50.80	74.8	56.8	55.6	87.8	19.1	6.8
C2082HF1A2	50.80	74.8	30.0	60.0	84.0	18.0	8.5
C2080HWK2	50.80	74.8	50.8	55.6	87.8	19.1	6.8
C208BK2F	25.40	37.2	12.7	28.0	42.0	8.5	5.5
212BWK2F1	38.10	54.1	19.0	35.2	54.8	12.2	6.4
212BWK2F2	38.10	54.1	19.0	35.0	54.8	12.7	7.0
216BWA2F1	50.80	71.8	25.4	58.0	80.0	17.0	8.4

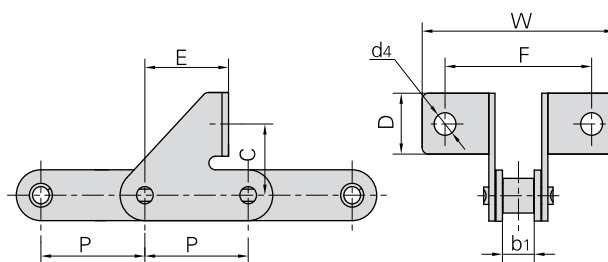
Sonder-Anbauteile für langgliedrige Rollenketten

Extended pitch roller chains with special attachments

Chaînes à rouleaux à pas long avec pattes d'attache spéciale

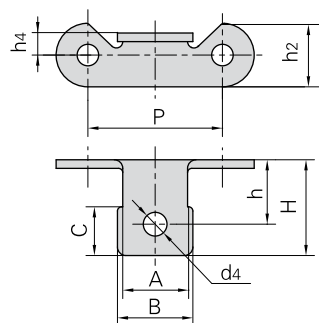


Donghua Chain No. Donghua Ketten Nr.	P	h	H	h ₄	G	d ₄
	mm	mm	mm	mm	mm	mm
C2042HF1	25.40	15.0	25.0	6.0	37.4	7.0

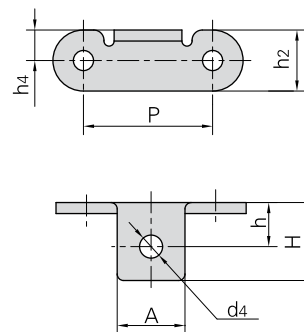


Donghua Chain No. Donghua Ketten Nr.	P	b ₁	F	W	C	D	E	d ₄
	mm	mm	mm	mm	mm	mm	mm	mm
C2050SD	31.75	9.4	45.0	59.0	21.2	18.0	25.7	6.6

C2052A1F1



C2062HA1F4

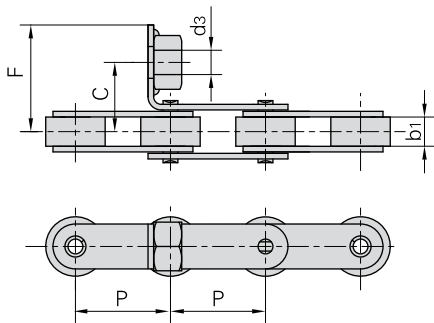


Donghua Chain No. Donghua Ketten Nr.	P	A	B	C	h	H	h ₂	h ₄	d ₄
	mm	mm	mm	mm	mm	mm	mm	mm	mm
C2052A1F1	31.75	15.3	17.8	11.5	14.7	22.6	15.0	5.2	6.5
C2062HA1F4	38.10	20.0	-	-	13.0	23.0	18.0	9.0	6.8

Sonder-Anbauteile für langgliedrige Rollenketten

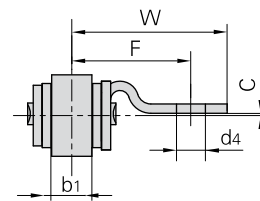
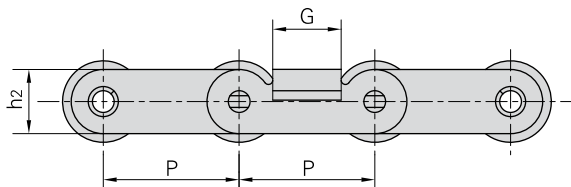
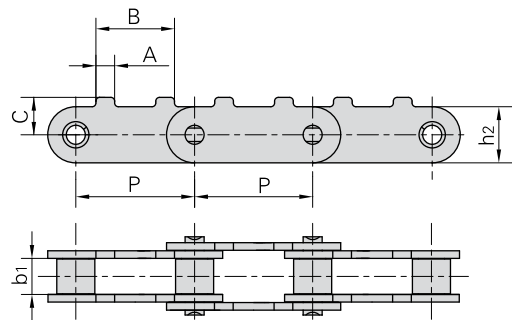
Extended pitch roller chains with attachments

Chaînes à rouleaux à pas long avec pattes d'attache spéciale

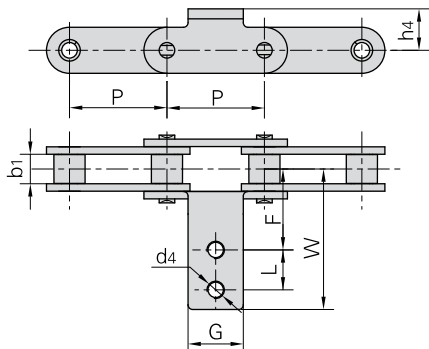


Donghua Chain No. Donghua Ketten Nr.	P	b ₁	C	F	d ₃
	mm	mm	mm	mm	mm
C2042F4	25.4	7.85	18.5	28.5	M8

Donghua Chain No. Donghua Ketten Nr.	P	b ₁	h ₂	A	B	C
	mm	mm	mm	mm	mm	mm
C2050F9	31.75	9.4	15.0	5.0	21.0	10.0



Donghua Chain No. Donghua Ketten Nr.	P	b ₁	h ₂	G	F	W	d ₄	C
	mm	mm	mm	mm	mm	mm	mm	mm
C2052F11	31.75	9.4	15.0	16.0	26.6	34.6	6.2	0.5

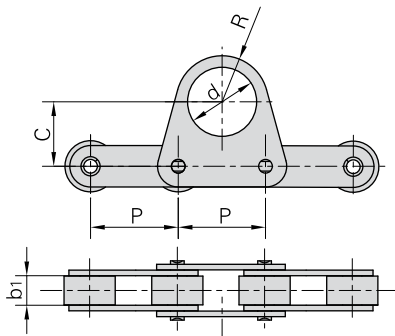


Donghua Chain No. Donghua Ketten Nr.	P	b ₁	G	L	F	W	h ₄	d ₄
	mm	mm	mm	mm	mm	mm	mm	mm
C2050HF2	31.75	9.4	18.0	13.0	36.1	56.5	13.5	M5

Sonder-Anbauteile für langgliedrige Rollenketten

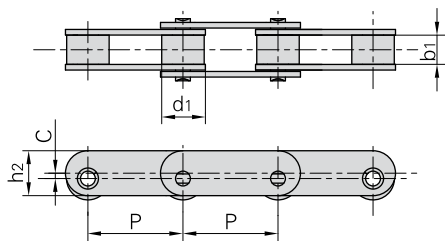
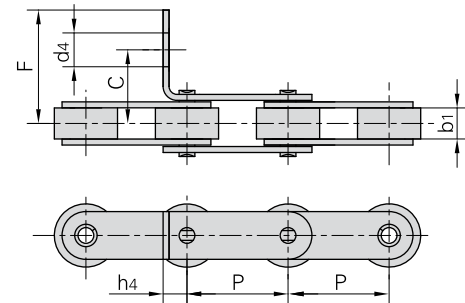
Extended pitch roller chains with attachments

Chaînes à rouleaux à pas long avec pattes d'attache spéciale

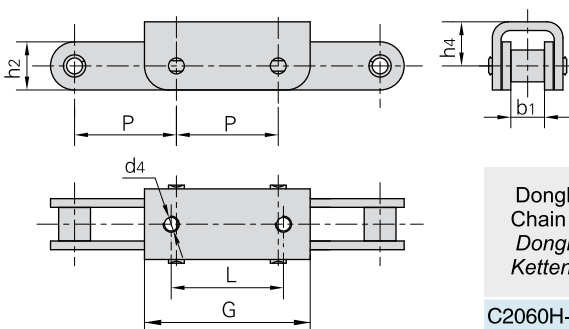


Donghua Chain No. Donghua Ketten Nr.	P	b1	C	d	R
	mm	mm	mm	mm	mm
C2062F5	38.1	12.57	28.0	30	20

Donghua Chain No. Donghua Ketten Nr.	P	b1	C	F	d4	h4
	mm	mm	mm	mm	mm	mm
C2042F8	25.4	7.85	17.75	28	8.5	10
C2062HF13	38.1	12.57	31.9	42.9	6	9.8
C224AF2	76.2	25.22	52.7	77.75	13	26.8



Donghua Chain No. Donghua Ketten Nr.	P	b1	C	h2	d1
	mm	mm	mm	mm	mm
C2062F6	38.1	12.57	3.0	23.0	22.23
C2082F8	50.8	15.75	3.5	25.0	28.58

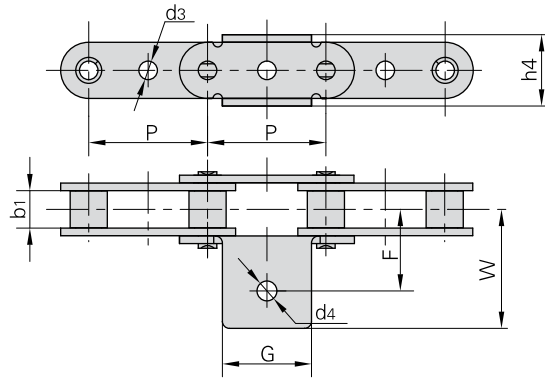


Donghua Chain No. Donghua Ketten Nr.	P	b1	L	G	d4	h2	h4
	mm	mm	mm	mm	mm	mm	mm
C2060H-U1F1	38.1	12.57	42.0	62.0	M6	18.0	16.5

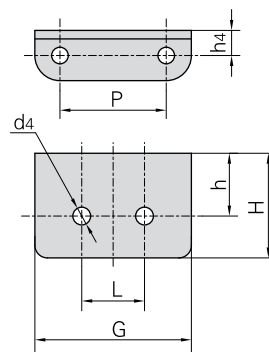
Sonder-Anbauteile für langgliedrige Rollenketten

Extended pitch roller chains with attachments

Chaînes à rouleaux à pas long avec pattes d'attache spéciale



Donghua Chain No. Donghua Ketten Nr.	P	b1	G	F	W	h4	d4	d3
	mm	mm	mm	mm	mm	mm	mm	mm
C2080K1F4	50.8	15.75	38.1	40.0	56.0	30.5	8.5	–
C2080HGF1	50.8	15.75	36.0	38.0	46.0	28.4	6.0	8.1

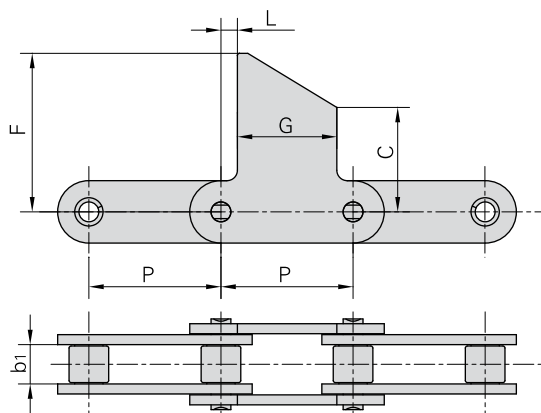


Donghua Chain No. Donghua Ketten Nr.	P	h	H	h4	G	L	d4
	mm	mm	mm	mm	mm	mm	mm
C2082HF1A2	50.8	17.7	29.7	18.0	74.8	30.0	8.5

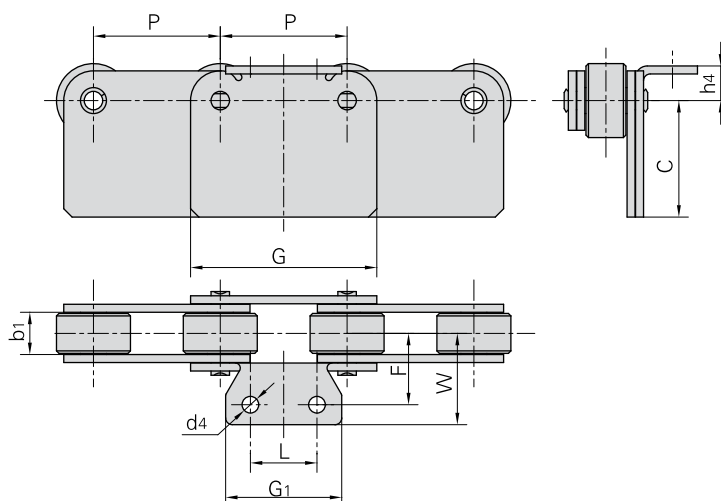
Sonder-Anbauteile für langgliedrige Rollenketten

Extended pitch roller chains with attachments

Chaînes à rouleaux à pas long avec pattes d'attache spéciale



Donghua Chain No. Donghua Ketten Nr.	P	b ₁	L	G	C	F
	mm	mm	mm	mm	mm	mm
C2100HF4	63.5	18.9	7.9	47.8	50.8	76.2

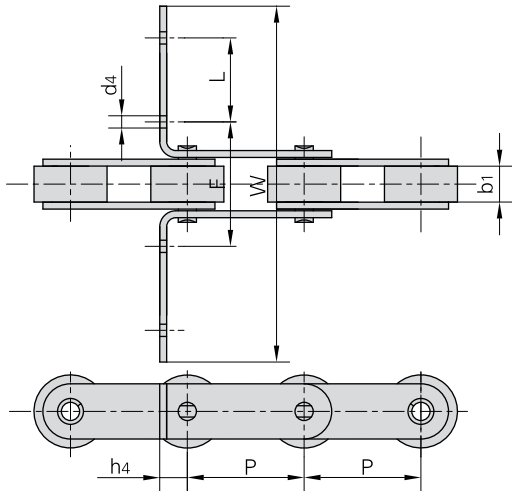


Donghua Chain No. Donghua Ketten Nr.	P	b ₁	L	G ₁	G	h ₄	d ₄	C	F	W
	mm	mm	mm	mm	mm	mm	mm	mm	mm	mm
C224ALK2F2	76.2	25.22	40.0	70.0	111.9	20.8	10.0	70.0	43.0	55.0

Sonder-Anbauteile für langgliedrige Rollenketten

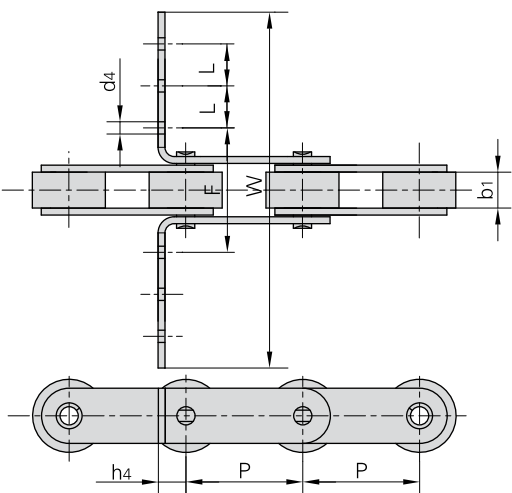
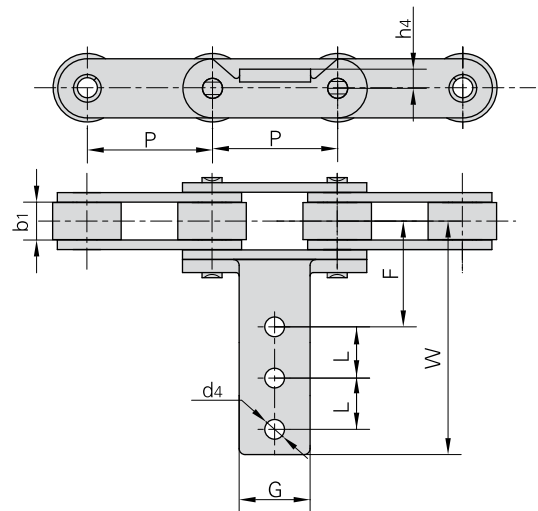
Extended pitch roller chains with attachments

Chaînes à rouleaux à pas long avec pattes d'attache spéciale



Donghua Chain No. Donghua Ketten Nr.	P	b1	L	F	W	h4	d4
	mm	mm	mm	mm	mm	mm	mm
C2080HF6	50.8	15.75	43.0	60.0	160.0	20.45	5.5
C2080HF11	50.8	15.75	30.0	110.0	210.0	19.00	8.2

Donghua Chain No. Donghua Ketten Nr.	P	b1	G	L	F	W	h4	d4
	mm	mm	mm	mm	mm	mm	mm	mm
C2082HF4	50.8	15.75	28.6	50.8	57.4	181.4	8.7	11.1

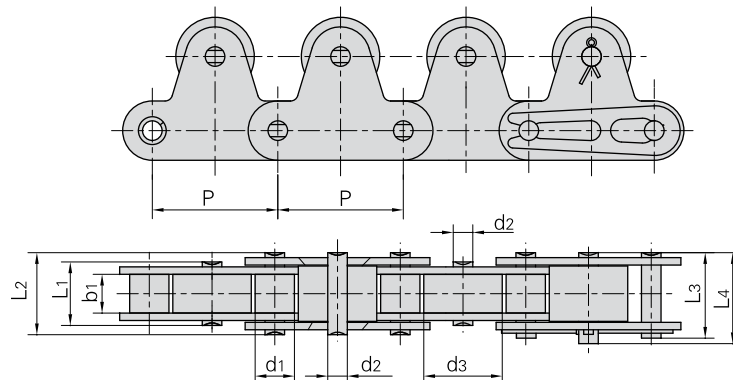


Donghua Chain No. Donghua Ketten Nr.	P	b1	L	F	W	h4	d4
	mm	mm	mm	mm	mm	mm	mm
C2100HF2	63.5	18.9	52.5	70.0	300.0	30.0	5.5

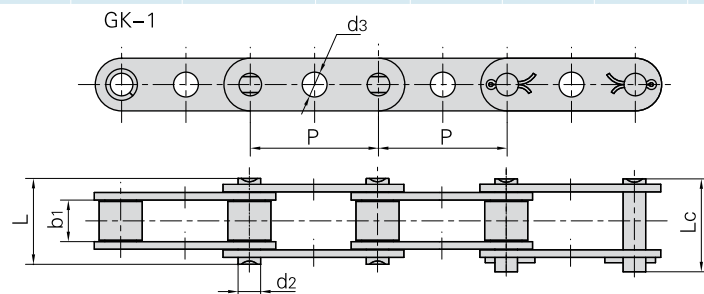
Langgliedrige Rollenketten in Sonderausführung

Special extended pitch roller chains

Chaînes à rouleaux à pas long spéciale



Donghua Chain No. Donghua Ketten Nr.	Pitch	Roller diameter		Width between inner plates	Pin diameter	Pin length				Ultimate tensile strength	Weight per meter
	Teilung	Rollen-durch-messer		Innere Breite	Bolzen-durch-messer	Bolzen-länge				Min. Bruchkraft	Gewicht
	P	d1 max	d3 max	b1 min	d2 max	L1 max	L2 max	L3 max	L4 max	Q min	q
	mm	mm	mm	mm	mm	mm	mm	mm	mm	kN/LB	kg/m
C2040-1LTR	25.40	7.95	15.88	7.85	3.96	13.5	16.6	17.8	18.8	14.1/3205	1.15
C2050-1LTR	31.75	10.16	19.05	9.40	5.08	16.5	20.7	22.2	23.3	22.2/5045	1.85
C2060-1LTR	38.10	11.91	22.23	12.57	5.94	21.0	25.9	27.7	28.3	31.8/7227	3.50
C2080-1LTR	50.80	15.88	28.58	15.75	7.92	26.2	32.7	35.0	36.5	56.7/12886	5.50
C2100-1LTR	63.50	19.05	39.67	18.90	9.53	32.3	40.4	44.7	44.7	88.5/20114	8.70

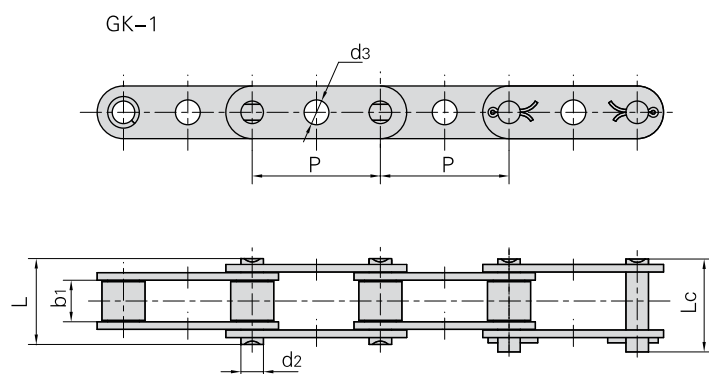


DIN/ISO Chain No. DIN/ISO Ketten Nr.	ANSI Chain No. ANSI Ketten Nr.	P	b1	d2	d3	L	Lc
		mm	mm	mm	mm	mm	mm
C208A C208AL	C2040 C2042	25.40	7.85	3.96	4.1	16.6	18.8
C210A C210AL	C2050 C2052	31.75	9.40	5.08	5.1	20.7	23.3
C212A C212AL	C2060 C2062	38.10	12.57	5.94	6.1	25.9	28.3
C212AH C212AHL	C2060H C2062H	38.10	12.57	5.94	6.1	29.2	31.6
C216A C216AL	C2080 C2082	50.80	15.75	7.92	8.1	32.7	36.5
C216AH C216AHL	C2080H C2082H	50.80	15.75	7.92	8.1	36.2	39.4
C220A C220AL	C2100 C2102	63.50	18.90	9.53	10.1	40.4	44.7
C220AH C220AHL	C2100H C2102H	63.50	18.90	9.53	10.1	43.6	46.9

Langgliedrige Rollenketten in Sonderausführung

Special extended pitch roller chains

Chaînes à rouleaux à pas long spéciale

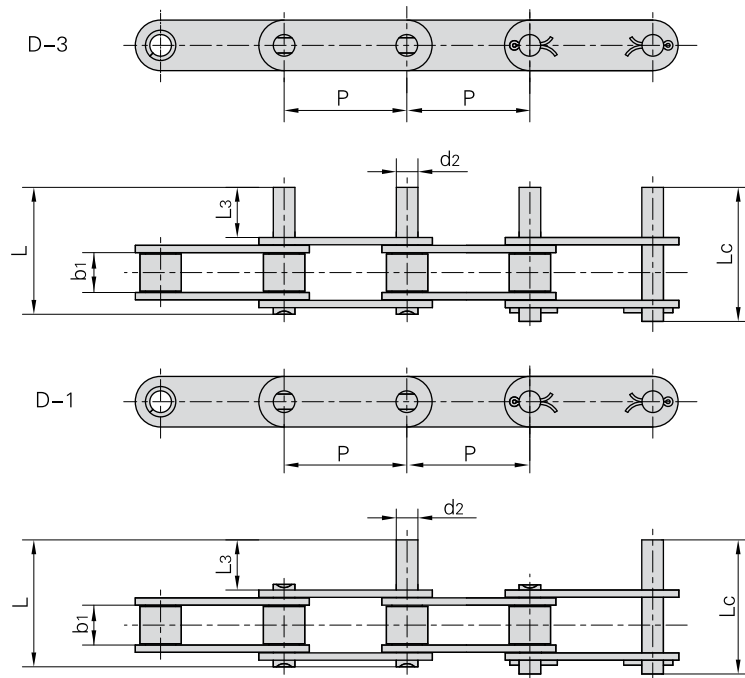


Donghua Chain No. <i>Donghua Ketten Nr.</i>	P	b1	d2	d3	L	Lc
	mm	mm	mm	mm	mm	mm
C2050GKF2	31.75	9.40	5.08	8.1	20.7	22.2
C2050GKF3	31.75	9.40	5.08	8.1	20.7	22.2
C2050GKF4	31.75	9.40	5.08	7.0	20.7	22.2
C2050GKF5	31.75	9.40	5.08	7.1	20.7	22.2
C2050GKF6	31.75	9.40	5.08	6.0	20.7	22.2
C2050GKF7	31.75	9.40	5.08	6.1	20.7	22.2
C2050GKF8	31.75	9.40	5.08	8.3	20.7	22.2
C2050HGK	31.75	9.40	5.08	8.2	22.1	23.4
C2050HGKF1	31.75	9.40	5.08	7.0	22.1	23.4
C2052HGKF3	31.75	9.40	5.08	6.0	22.1	23.4
C2050HGKF4	31.75	9.40	5.08	8.1	22.1	23.4
C2060GKF1	38.10	12.57	5.94	8.0	25.9	27.7
C2060GKF2	38.10	12.57	5.94	8.1	25.9	27.7
C2060GKF3	38.10	12.57	5.94	6.2	25.9	27.7
C2060GKF8	38.10	12.57	5.94	8.8	25.9	27.7
C2060HGKF3	38.10	12.57	5.94	8.2	29.2	31.6
C2060HGKF4	38.10	12.57	5.94	8.3	29.2	31.6
C2060HGKF5	38.10	12.57	5.94	6.0	29.2	31.6
C2060HGKF6	38.10	12.57	5.94	8.3	29.2	31.6
C2060HGKF7	38.10	12.57	5.94	10.0	29.2	31.6
C2060HGKF10	38.10	12.57	5.94	8.8	29.2	31.6
C2080HGKF2	50.80	15.75	7.92	7.9	36.2	39.4
C2080HGKF6	50.80	15.75	7.92	11.0	36.2	39.4
C220AGK	63.50	18.90	9.53	8.0	40.4	44.7
C208BGKF1	25.40	7.75	4.45	6.0	16.7	18.2

Langgliedrige Rollenketten mit Mitnehmerbolzen

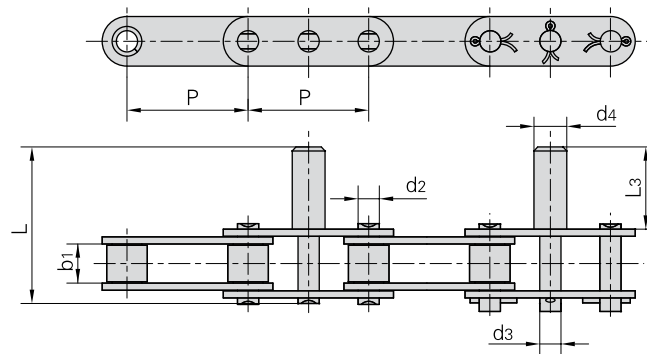
Extended roller chains with extended pins

Chaînes à rouleaux à pas long avec axes prolongés

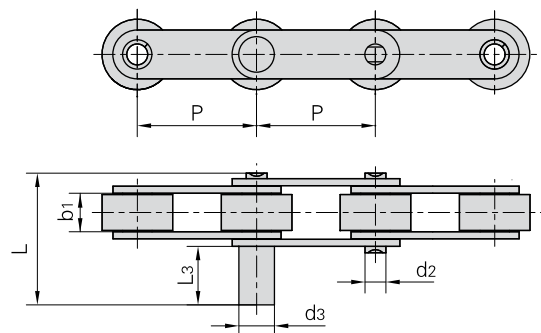


DIN/ISO Chain No. <i>DIN/ISO</i> Ketten Nr.	ANSI Chain No. <i>ANSI</i> Ketten Nr.	P	b ₁	d ₂	L ₃	L	L _c
		mm	mm	mm	mm	mm	mm
C208A C208AL	C2040 C2042	25.40	7.85	3.96	9.5	25.1	26.2
C210A C210AL	C2050 C2052	31.75	9.40	5.08	11.9	31.3	33.1
C212A C212AL	C2060 C2062	38.10	12.57	5.94	14.3	38.6	40.6
C212AH C212AHL	C2060H C2062H	38.10	12.57	5.94	14.3	42.0	43.8
C216A C216AL	C2080 C2082	50.80	15.75	7.92	19.1	50.3	53.3
C216AH C216AHL	C2080H C2082H	50.80	15.75	7.92	19.1	53.5	55.0
C220A C220AL	C2100 C2102	63.50	18.90	9.53	23.8	61.8	66.1
C220AH C220AHL	C2100H C2102H	63.50	18.90	9.53	23.8	65.0	68.3
C224AH C224AHL	C2120H C2122H	76.20	25.22	11.10	28.6	79.6	83.6
C232AH C232AHL	C2160H C2162H	101.60	31.75	14.27	38.1	103.0	107.8

Langgliedrige Rollenketten mit Mitnehmerbolzen Extended roller chains with extended pins Chaînes à rouleaux à pas long avec axes prolongés



Donghua Chain No. <i>Donghua Ketten Nr.</i>	P	b ₁	d ₂	d ₃	d ₄	L ₃	L
	mm	mm	mm	mm	mm	mm	mm
C2052F2	31.75	9.40	5.08	6.00	7.0	20.0	39.8
C2052F14	31.75	9.40	5.08	6.00	7.0	21.0	40.4
C2062-D38	38.10	12.57	5.94	5.94	11.1	24.2	48.6
C2062-D39	38.10	12.57	5.94	5.94	13.3	32.2	56.6
C212AHL-D4	38.10	12.57	5.94	5.94	8.0	25.0	53.0
C212AHF3	38.10	12.57	5.94	8.08	10.0	35.0	63.0
C212AHF7	38.10	12.57	5.94	5.94	12.7	41.2	69.2
C212AHF8	38.10	12.57	5.94	8.00	10.0	35.0	63.0
C2060HF9	38.10	12.57	5.94	7.95	12.7	41.3	69.3
C2060HF10	38.10	12.57	5.94	7.70	14.3	41.3	69.3
C2060H-D23	38.10	12.57	5.94	8.80	12.7	41.3	69.3
C2060H-D24	38.10	12.57	5.94	7.95	12.7	44.8	65.6
C2060H-D31	38.10	12.57	5.94	7.95	16.0	45.0	73.0
C2062H-D41	38.10	12.57	5.94	9.53	9.5	22.2	50.0

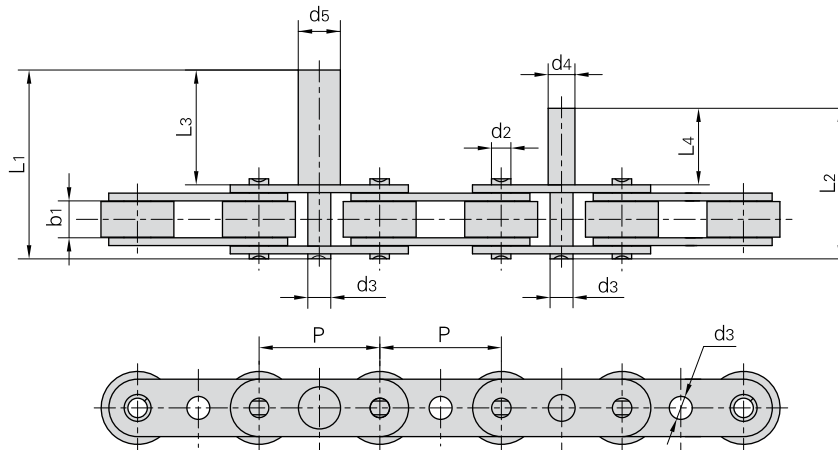


Donghua Chain No. <i>Donghua Ketten Nr.</i>	P	b ₁	d ₂	d ₃	L ₃	L
	mm	mm	mm	mm	mm	mm
C2052DF1	31.75	9.40	5.08	7.50	14.15	33.6
C210AF4	31.75	9.40	5.08	11.00	34.00	53.7
C2052-D4	31.75	9.40	5.08	6.00	32.40	52.0
C2050-D5	31.75	9.40	5.08	8.00	40.00	59.7
C212AHL-D4	38.10	12.57	5.94	8.00	25.00	53.0
C2062-D6	38.10	12.57	5.94	12.00	25.00	49.7

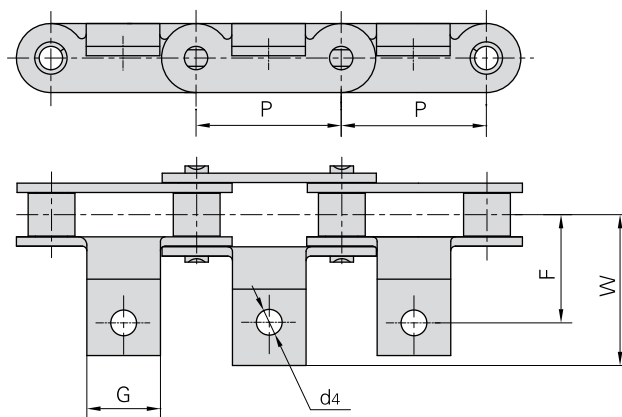
Langgliedrige Rollenketten mit Mitnehmerbolzen

Extended roller chains with extended pins

Chaînes à rouleaux à pas long avec axes prolongés



Donghua Chain No. Donghua Ketten Nr.	P	b1	d2	d3	d4	d5	L3	L1	L4	L2
	mm	mm	mm	mm	mm	mm	mm	mm	mm	mm
C2052F1	31.75	9.4	5.08	6.0	7.0	11.0	30.0	49.8	20.0	39.8

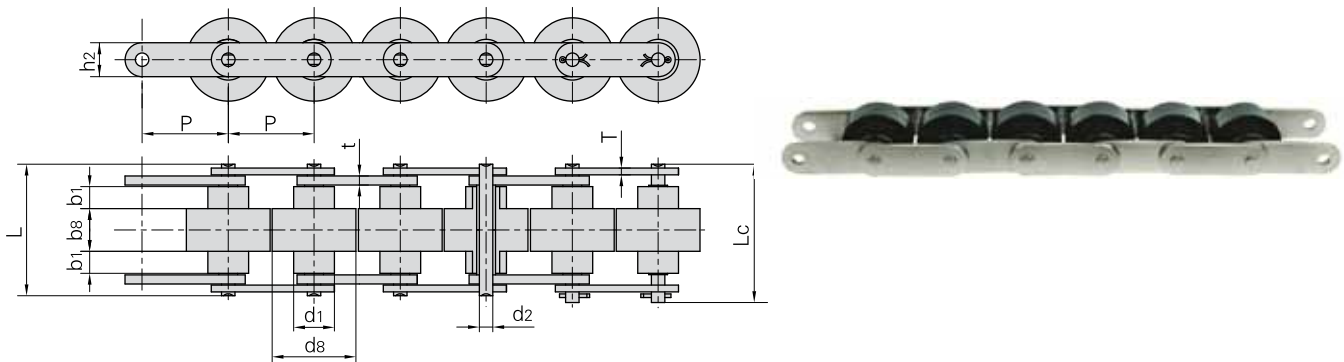


Donghua Chain No. Donghua Ketten Nr.	P	G	F	W	d4
	mm	mm	mm	mm	mm
C2050A6	31.75	16.0	23.4	32.8	5.5

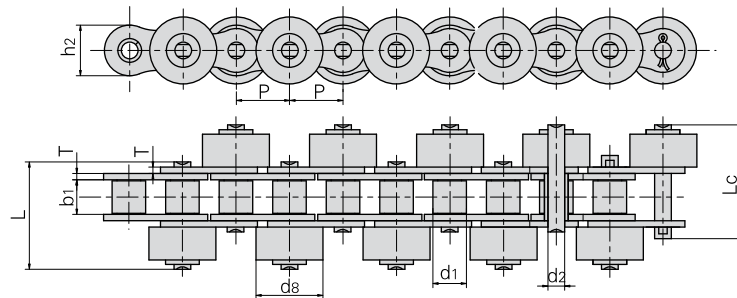
Stauförderketten

Double plus chains

Chaînes pour convoyeurs-accumulateurs



JB Chain No. JB Ketten Nr.	Donghua Chain No. Donghua Ketten Nr.	Pitch Teilung P	Roller dimension Rollen-abmessungen					Pin diameter Bolzen-durch-messer d2 max	Pin length Bolzen-länge		Plate dimension Laschen-abmessungen			Weight per meter Gewicht q
			d1 max	d8 max	b1 min	b8 max	L max		Lc max	h2 max	T max	t max		
			mm	mm	mm	mm	mm		mm	mm	mm	mm	mm	
BS25-C206B	C2030W	19.05	11.91	18.3	4.00	8.0	3.28	24.0	25.6	8.20	1.30	1.50	0.52	
BS25-C208A	C2040W	25.40	15.88	24.6	5.70	10.3	3.96	31.0	32.8	11.70	1.50	1.50	0.79	
BS25-C210A	C2050W	31.75	19.05	30.6	7.10	13.0	5.08	39.5	41.2	15.00	2.03	2.03	1.36	
BS25-C212A	C2060HW	38.10	22.23	36.6	8.50	15.5	5.94	48.8	51.5	18.00	3.25	3.25	2.19	
BS25-C216A	C2080W	50.80	28.58	49.0	11.00	21.5	7.92	66.2	70.0	24.00	4.00	5.00	4.06	
BS30-C206B		19.05	9.00	18.3	4.50	9.1	3.28	26.3	29.6	7.28	1.30	1.50	0.50	
BS30-C208A		25.40	11.91	24.6	6.10	12.5	3.96	35.6	39.5	9.60	1.50	2.00	0.83	
BS30-C210A		31.75	14.80	30.6	7.50	15.0	5.08	43.0	47.1	12.20	2.00	2.40	1.27	
BS30-C212A		38.10	18.00	37.0	9.75	20.0	5.94	58.1	62.7	15.00	3.00	4.00	2.14	
BS30-C216A		50.80	22.23	49.0	12.00	25.2	7.92	71.9	77.3	18.60	4.00	5.00	3.55	



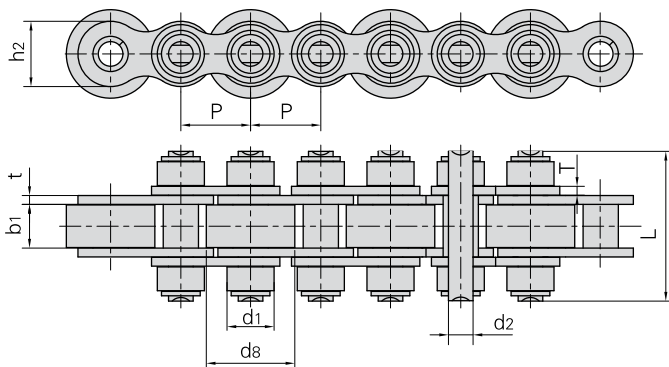
Donghua Chain No. Donghua Ketten Nr.	Pitch Teilung P	Roller diameter Rollen-durch-messer		Width between inner plates Innere Breite b1 min	Pin diameter Bolzen-durch-messer d2 max	Pin length Bolzen-länge		Plate dimension Laschen-abmessungen		Ultimate tensile strength Min. Bruchkraft Q min	Average tensile strength Durchschn. Bruchkraft Q0	Weight per meter Gewicht q
		d1 max	d8 max			L max	Lc max	h2 max	T max			
		mm	mm			mm	mm	mm	mm			
*40S	12.700	7.95	15.88	7.85	3.96	25.8	27.0	12.0	1.50	13.8/3102	17.5	0.9
40-PSR	12.700	7.95	15.88	7.85	3.96	25.8	27.0	12.0	1.50	13.8/3102	17.5	1.6
50-SR-C	15.875	10.16	19.05	9.40	5.08	31.8	34.0	15.1	2.03	21.8/4900	29.4	2.4
*60S	19.050	11.91	22.23	12.57	5.94	40.0	42.5	18.0	2.42	31.8/7227	41.5	1.9
*80S	25.400	15.88	28.58	15.75	7.92	51.3	54.3	24.0	3.25	56.7/12886	69.4	3.6
80S-C	25.400	15.88	28.58	15.75	7.92	51.3	54.3	24.0	3.25	56.7/12886	69.4	5.8

Note: * means roller made in plastic.
 Hinweis: * Rollen aus Kunststoff

Stauförderketten

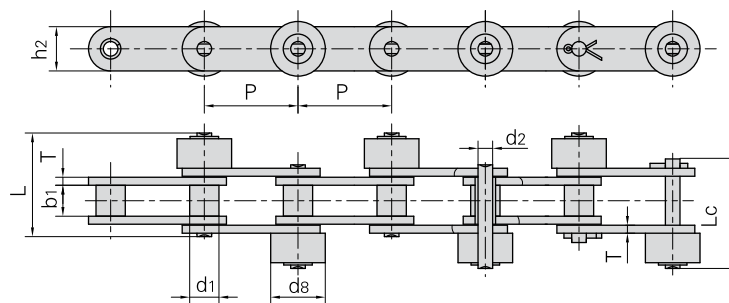
Double plus chains

Chaînes pour convoyeurs-accumulateurs



Donghua Chain No. Donghua Ketten Nr.	Pitch	Roller diameter		Width between inner plates	Pin diameter	Pin length	Plate dimension		Ultimate tensile strength	Average tensile strength
	Teilung	Rollen-durchmesser		Innere Breite	Bolzen-durchmesser	Bolzen-länge	Laschen-abmessungen		Min. Bruchkraft	Durchschn. Bruchkraft
	P mm	d1 max mm	d8 max mm	b1 min mm	d2 max mm	L max mm	h2 max mm	t/T max mm	Q min kN/LB	Q0 kN
08BS-27-P16/C16	12.70	8.51	16.0	7.75	4.45	27.0	11.8	1.60/1.50	18.0/4091	19.8
12BS	19.05	12.07	28.0	11.68	5.72	45.0	16.0	1.85	28.9/6568	31.7
12BS-40-P28/C28	19.05	12.07	28.0	11.68	5.72	40.0	16.0	1.85	29.0/6591	31.7
12BS-43-P26/C26	19.05	12.07	26.0	11.68	5.72	43.0	16.0	1.85	29.0/6591	31.7
12BS-43-P28/C28	19.05	12.07	28.0	11.68	5.72	43.0	16.0	1.85	29.0/6591	31.7
12BS-48-P24/C24	19.05	12.07	24.0	11.68	5.72	48.0	16.0	1.85	29.0/6591	31.7
12BS-48-P26/C26	19.05	12.07	26.0	11.68	5.72	48.0	16.0	1.85	29.0/6591	31.7
12BS-48-P28/C28	19.05	12.07	28.0	11.68	5.72	48.0	16.0	1.85	29.0/6591	31.7
16BS-65-P38/C38	25.40	15.88	38.0	17.02	8.28	65.0	21.0	4.15/3.10	60.0/13636	72.8

Note: P means roller made in plastic, C means roller made in steel.
 Hinweis: P bedeutet Rollen aus Kunststoff, C bedeutet Rollen aus Stahl.



Donghua Chain No. Donghua Ketten Nr.	Pitch	Roller diameter		Width between inner plates	Pin diameter	Pin length		Plate dimension		Ultimate tensile strength	Average tensile strength	Weight per meter
	Teilung	Rollen-durchmesser		Innere Breite	Bolzen-durchmesser	Bolzen-länge		Laschen-abmessungen		Min. Bruchkraft	Durchschn. Bruchkraft	Gewicht
	P mm	d1 max mm	d8 max mm	b1 min mm	d2 max mm	L max mm	Lc max mm	h2 max mm	T max mm	Q min kN/LB	Q0 kN	q kg/m
C2040S2-PSR	25.40	7.95	15.88	7.85	3.96	25.80	27.0	12.0	1.50	13.8/3137	15.18	0.99
C2050S	31.75	10.16	19.05	9.40	5.08	31.80	34.0	15.0	2.03	21.8/4955	23.90	1.52
C2052SF1	31.75	19.05	27.00	9.40	5.08	35.00	37.3	15.0	2.03	21.8/4955	23.90	3.06
C2060HS	38.10	11.91	22.23	12.57	5.94	44.00	46.6	18.0	3.25	31.1/7069	42.70	1.78



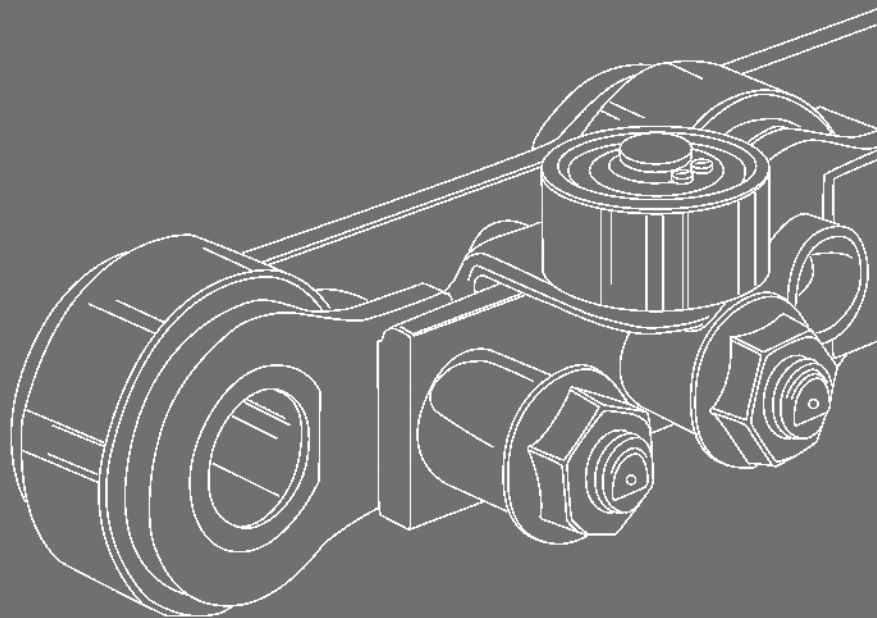
KÖBO-DONGHUA

The Chain People

Rollenketten mit aufvulkanisiertem
Gummiprofil

Roller chains with vulcanised
elastomer profiles

Chaînes à rouleaux avec profil
gomme vulcanisée

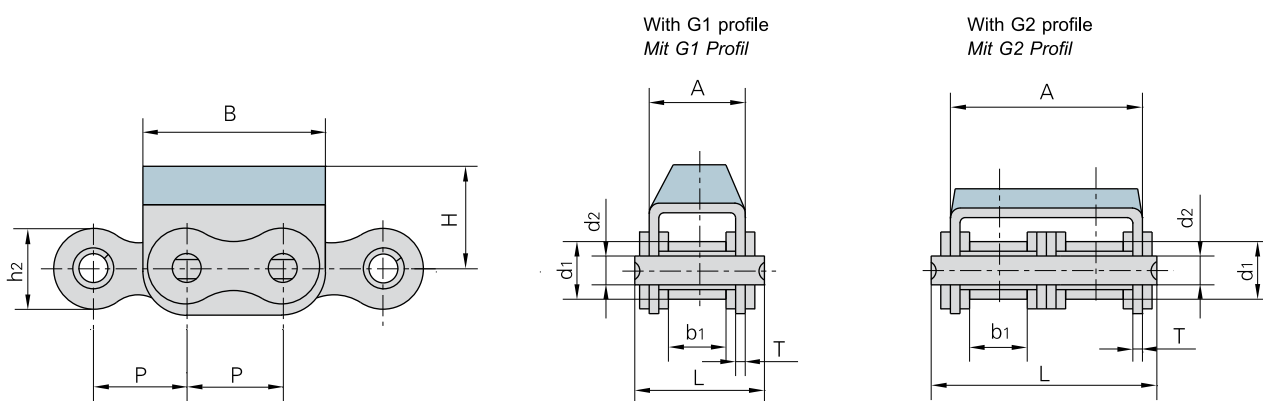


Zertifiziert nach DIN EN ISO 9001

Rollenketten mit aufvulkanisiertem Gummiprofil

Roller chains with vulcanised elastomer profiles

Chaînes à rouleaux avec profil gomme vulcanisée

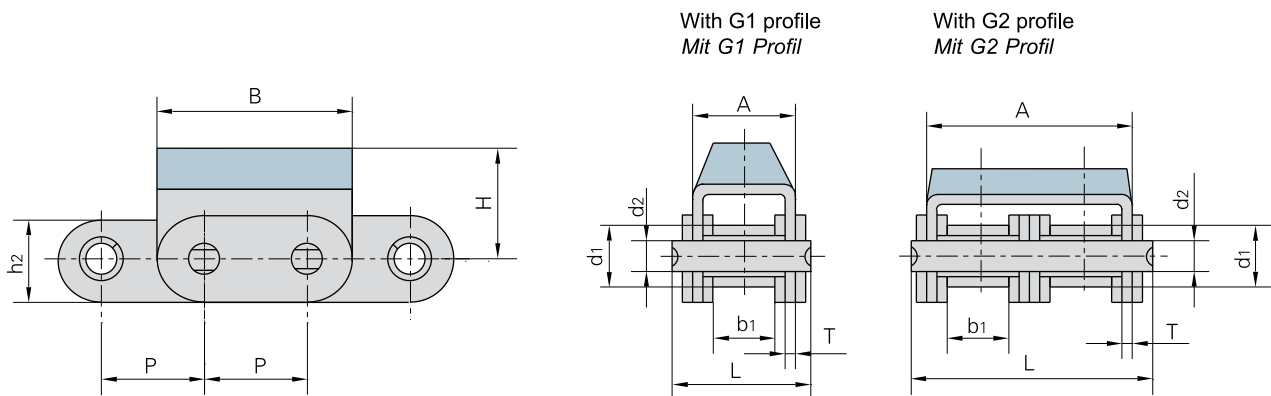


Donghua Chain No. Donghua Ketten Nr.	Pitch	Roller diameter	Width between inner plates	Pin diameter	Pin length	Plate and attachment dimension					Ultimate tensile strength	Weight per meter
	<i>Teilung</i>	<i>Rollen-durchmesser</i>	<i>Innere Breite</i>	<i>Bolzen-durchmesser</i>	<i>Bolzen-länge</i>	<i>Laschen- und Befestigungslaschen-abmessungen</i>					<i>Min. Bruchkraft</i>	<i>Gewicht</i>
	P mm	d1 max mm	b1 min mm	d2 max mm	L max mm	h2 max mm	A mm	B mm	H mm	T mm	Q min kN/LB	q kg/m
08B-G1	12.700	8.51	7.75	4.45	20.0	11.8	14.6	24.2	12.3	1.60	18.0/4091	1.19
08B-G2	12.700	8.51	7.75	4.45	34.3	11.8	28.4	24.2	12.3	1.50	32.0/7273	2.07
10A-G1	15.875	10.16	9.40	5.08	24.5	15.09	17.5	31.0	17.0	1.60	21.8/4953	1.70
10B-G1	15.875	10.16	9.65	5.08	23.2	14.7	16.8	30.0	17.0	1.60	19.0/4318	1.62
10B-G2	15.875	10.16	9.65	5.08	39.7	14.7	33.3	30.0	17.0	1.50	44.5/10114	2.56
12B-G1	19.050	12.07	11.68	5.72	25.7	16.0	19.6	36.0	21.0	1.85	29.0/6591	2.01
12B-G2	19.050	12.07	11.68	5.72	45.3	16.0	39.1	36.0	16.0	1.85	57.8/13136	3.21
12A-G1	19.050	11.91	12.57	5.94	29.9	18.0	21.4	37.05	21.0	1.85	31.8/7153	2.55
12AF1-G1	19.050	11.91	17.00	5.94	34.0	18.0	26.0	36.0	16.0	1.85	31.8/7153	2.62
16A-G1	25.400	15.88	15.75	7.92	37.2	24.0	27.5	46.0	20.0	2.42	42.0/9545	3.97
16A-G2	25.400	15.88	15.75	7.92	68.0	24.0	57.2	46.0	20.0	2.42	84/18896	7.27
16B-G1F12	25.400	15.88	17.02	8.28	39.7	21.0	29.05	49.0	21.4	1.60	58.0/13047	3.95
20A-G1	31.750	19.05	18.90	9.53	46.8	30.0	34.0	57.6	28.0	3.10	86.7/19503	6.15
20B-G1	31.750	19.05	19.56	10.19	48.0	26.4	36.0	57.0	27.0	3.50	85.0/19318	6.19
24B-G1	38.100	25.40	25.40	14.63	61.6	33.2	47.0	72.6	34.0	4.50	160.0/36363	11.25

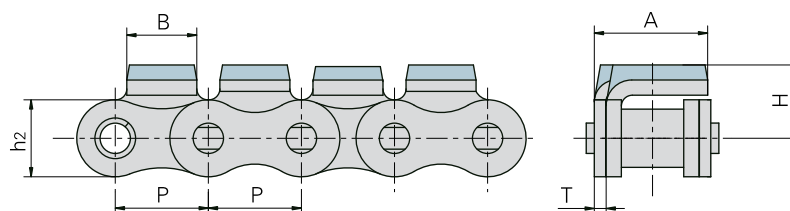
Rollenketten mit aufvulkanisiertem Gummiprofil

Roller chains with vulcanised elastomer profiles

Chaînes à rouleaux avec profil gomme vulcanisée



Donghua Chain No. Donghua Ketten Nr.	Pitch	Roller diameter	Width between inner plates	Pin diameter	Pin length	Plate and attachment dimension					Ultimate tensile strength	Weight per meter
	Teilung	Rollen-durchmesser	Innere Breite	Bolzen-durchmesser	Bolzen-länge	Laschen- und Befestigungslaschen-abmessungen					Min. Bruchkraft	Gewicht
	P	d1 max	b1 min	d2 max	L max	h2 max	A	B	H	T	Q min	q
	mm	mm	mm	mm	mm	mm	mm	mm	mm	mm	kN/LB	kg/m
C08B-G1	12.700	8.51	7.75	4.45	20.0	11.80	14.60	24.2	12.3	1.60	18.0/4091	1.30
C08B-G2	12.700	8.51	7.75	4.45	34.3	11.80	28.40	24.2	12.3	1.50	32.0/7273	2.29
C10B-G1	15.875	10.16	9.65	5.08	23.2	14.70	16.80	30.0	17.0	1.60	19.0/4318	1.75
C10B-G1F1	15.875	10.16	9.65	5.08	23.2	14.70	16.80	30.0	13.0	1.60	19.0/4318	1.70
C50-G2F1	15.875	10.16	9.40	5.08	42.5	15.09	35.60	27.0	17.0	1.60	43.6/9906	2.14
C50-G2	15.875	10.16	9.40	5.08	42.5	15.09	35.60	31.0	17.0	1.60	43.6/9906	2.14
C10B-G2	15.875	10.16	9.65	5.08	39.7	14.70	33.30	30.0	17.0	1.50	44.5/10114	2.95
C12B-G1	19.050	12.07	11.68	5.72	25.7	16.00	19.60	36.0	21.0	1.85	29.0/6591	2.15
C12B-G2	19.050	12.07	11.68	5.72	45.3	16.00	39.10	36.0	16.0	1.85	57.8/13136	3.48
C16A-G1	25.400	15.88	15.75	7.92	37.2	24.00	27.50	46.0	20.0	2.42	42.0/9545	4.34
C16B-G1	25.400	15.88	17.02	8.28	39.7	21.00	29.05	49.0	21.4	1.60	58.0/13047	4.11
C20B-G1	31.750	19.05	19.56	10.19	48.0	26.40	36.00	57.0	27.0	3.50	85.0/19318	6.65
C24B-G1	38.100	25.40	25.40	14.63	61.6	33.20	47.00	72.6	34.0	4.50	160.0/36363	11.63

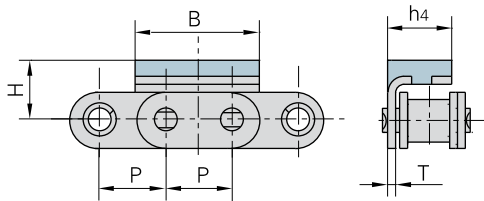


Donghua Chain No. Donghua Ketten Nr.	P	A	B	H	h2	T
	mm	mm	mm	mm	mm	mm
16B-G1F7	25.4	31.0	19.1	20	21	3.1

Rollenketten mit aufvulkanisiertem Gummiprofil

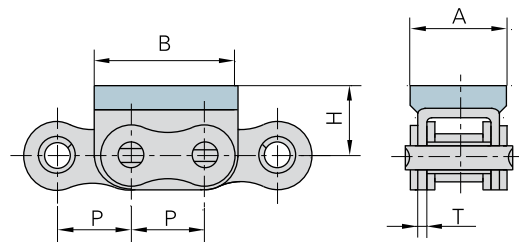
Roller chains with vulcanised elastomer profiles

Chaînes à rouleaux avec profil gomme vulcanisée

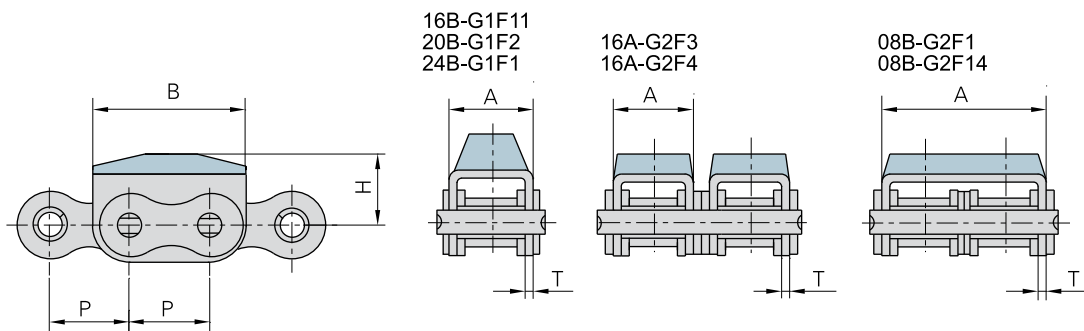
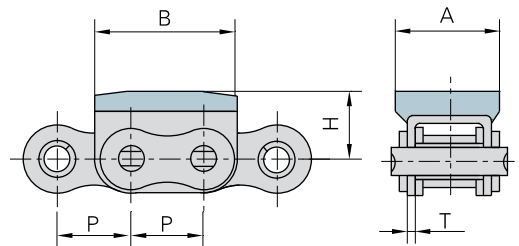


Donghua Chain No. Donghua Ketten Nr.	P	B	H	h4	T
	mm	mm	mm	mm	mm
06BF9	9.525	17.73	9.0	9.05	1.3

Donghua Chain No. Donghua Ketten Nr.	P	A	B	H	T
	mm	mm	mm	mm	mm
08B-G1F1	12.700	18.0	24.2	12.3	1.6
10B-G1F2	15.875	25.0	30.0	14.0	1.6
10B-G1F3	15.875	20.0	30.0	18.0	1.6
10B-G1F4	15.875	18.6	30.0	11.4	1.6



Donghua Chain No. Donghua Ketten Nr.	P	A	B	H	T
	mm	mm	mm	mm	mm
08B-G1F4	12.7	18.0	24.2	12.3	1.6



Donghua Chain No. Donghua Ketten Nr.	P	A	B	H	T
	mm	mm	mm	mm	mm
08B-G2F1	12.70	28.4	24.2	12.0	1.50
08B-G2F14	12.70	14.6	24.2	16.0	1.60
16A-G2F3	25.40	27.5	49.0	21.4	2.42
16A-G2F4	25.40	27.0	49.2	20.0	2.03
16B-G1F11	25.40	29.5	49.0	21.4	1.60
20B-G1F2	31.75	36.0	57.0	35.0	3.50
24B-G1F1	38.10	47.0	72.6	34.0	4.50

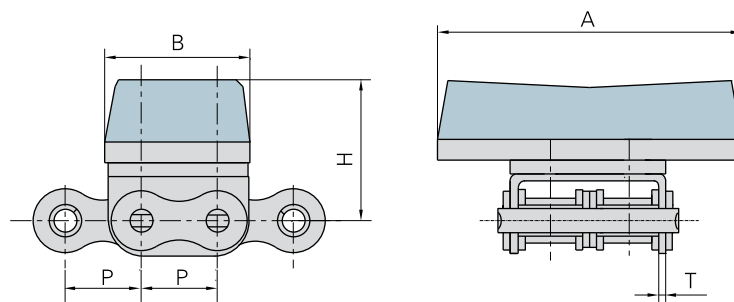
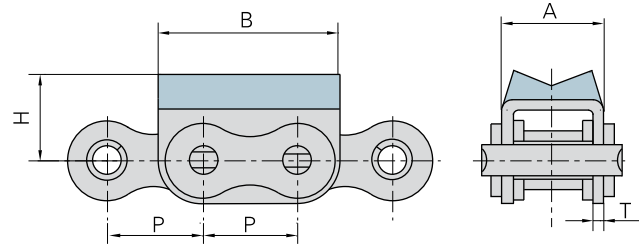
Rollenketten mit aufvulkanisiertem Gummiprofil

Roller chains with vulcanised elastomer profiles

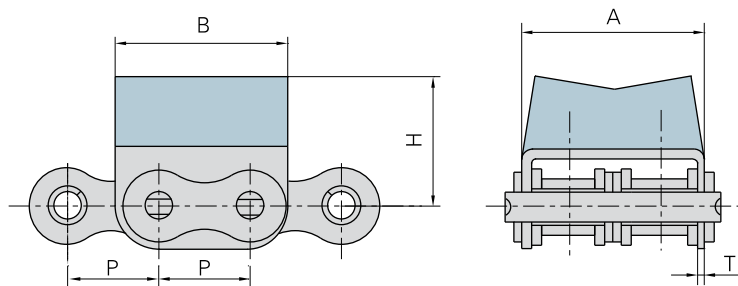
Chaînes à rouleaux avec profil gomme vulcanisée

Antriebsketten

Donghua Chain No.	P	A	B	H	T
<i>Donghua Ketten Nr.</i>	mm	mm	mm	mm	mm
12B-G1F1	19.05	19.6	36.0	18.0	1.85



Donghua Chain No.	P	A	B	H	T
<i>Donghua Ketten Nr.</i>	mm	mm	mm	mm	mm
08B-G2F13	12.70	35.0	24.2	14.0	1.50
12B-G2F3	19.05	77.0	37.0	36.0	1.85
12B-G2F8	19.05	101.0	37.0	36.0	1.85

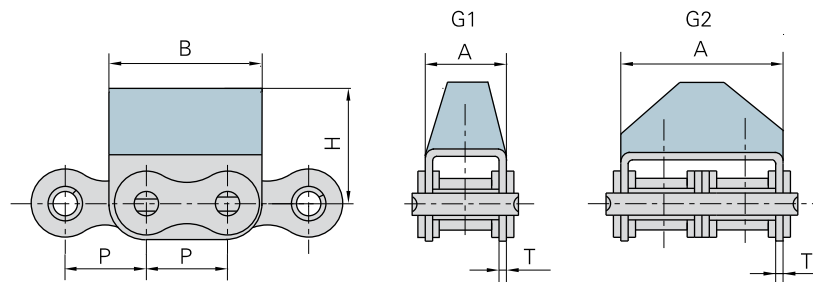


Donghua Chain No.	P	A	B	H	T
<i>Donghua Ketten Nr.</i>	mm	mm	mm	mm	mm
08B-G2F11	12.70	28.4	24.2	18.3	1.50
12B-G2F4	19.05	39.1	36.0	27.5	1.85

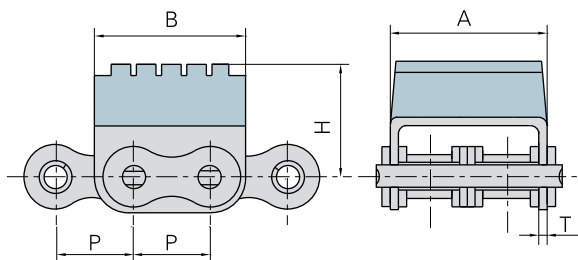
Rollenketten mit aufvulkanisiertem Gummiprofil

Roller chains with vulcanised elastomer profiles

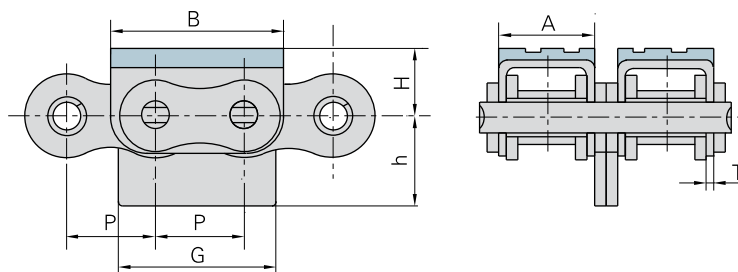
Chaînes à rouleaux avec profil gomme vulcanisée



Donghua Chain No. <i>Donghua Ketten Nr.</i>	P	A	B	H	T
	mm	mm	mm	mm	mm
10B-G1F5	15.875	16.80	30.0	25.3	1.70
10A-G1F6	15.875	16.80	30.0	14.0	1.60
12B-G1F11	19.050	19.60	36.0	17.0	1.85
12A-G1F12	19.050	39.10	36.0	21.0	1.85
12B-G2F10	19.050	39.10	36.0	28.0	1.85
12A-G2F12	19.050	39.10	36.0	21.0	1.85
12B-G2F5	19.050	39.10	36.0	28.0	1.85
16A-G1F1	25.400	27.50	46.0	21.4	2.42
16B-G1F8	25.400	29.05	49.0	32.0	1.60
20B-G1F1	31.750	36.00	57.0	35.0	3.50



Donghua Chain No. <i>Donghua Ketten Nr.</i>	P	A	B	H	T
	mm	mm	mm	mm	mm
08B-G2F10	12.70	28.4	24.2	23.3	1.50
12B-G2F6	19.05	39.1	37.3	28.2	1.85



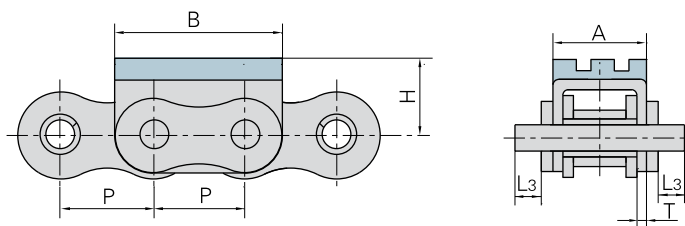
Donghua Chain No. <i>Donghua Ketten Nr.</i>	P	A	B	G	h	H	T
	mm	mm	mm	mm	mm	mm	mm
16A-G2F1(a)	25.4	27.0	49.2	45.4	25.0	20.0	2.03

Rollenketten mit aufvulkanisiertem Gummiprofil

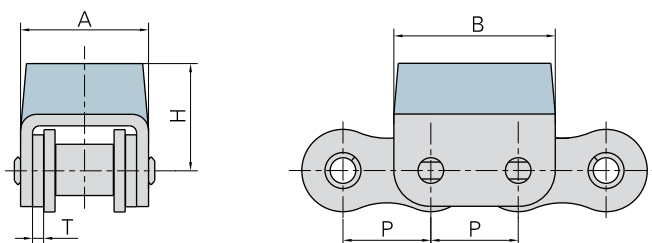
Roller chains with vulcanised elastomer profiles

Chaînes à rouleaux avec profil gomme vulcanisée

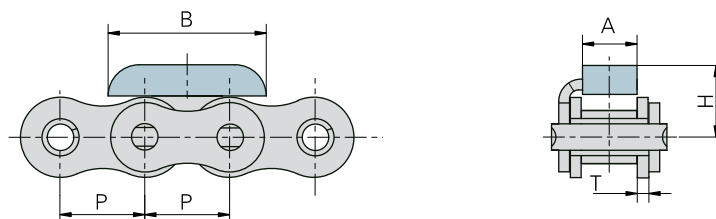
Antriebsketten



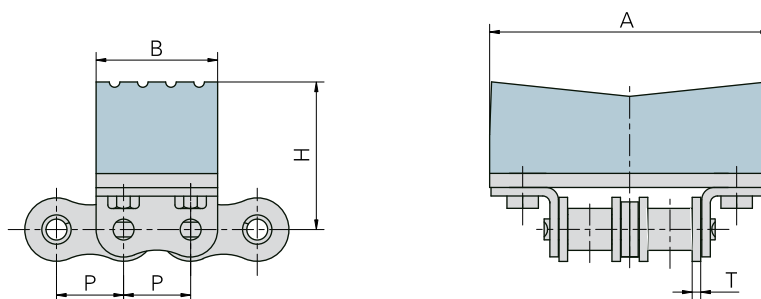
Donghua Chain No. <i>Donghua Ketten Nr.</i>	P	A	B	L ₃	H	T
	mm	mm	mm	mm	mm	mm
16A-G1F3	25.4	27.5	49.0	8.25	21.4	2.42



Donghua Chain No. <i>Donghua Ketten Nr.</i>	P	A	B	H	T
	mm	mm	mm	mm	mm
24A-G1F1	38.1	55.5	70	46.5	4.8



Donghua Chain No. <i>Donghua Ketten Nr.</i>	P	A	B	H	T
	mm	mm	mm	mm	mm
12A-G1F1	19.05	13.0	35.5	16.6	2.42

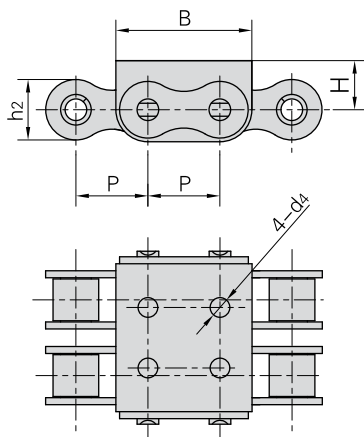
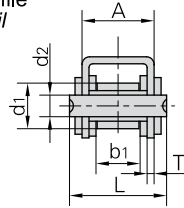
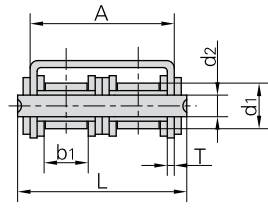


Donghua Chain No. <i>Donghua Ketten Nr.</i>	P	A	B	H	T
	mm	mm	mm	mm	mm
12AWK2-G2F1	19.05	80.0	35.0	41.9	2.42

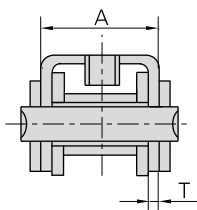
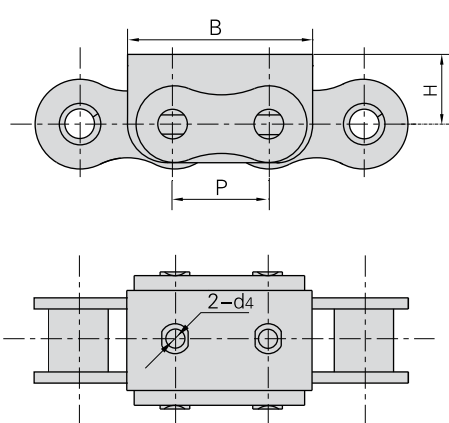
Rollenketten mit Sonder-Anbauteilen, U-Bügel

Roller chains with U type attachments

Chaînes à rouleaux avec composants spéciaux


 With U1 profile
 Mit U1 Profil

 With U2 profile
 Mit U2 Profil


Donghua Chain No. Donghua Ketten Nr.	Pitch	Roller diameter	Width between inner plates	Pin diameter	Pin length	Plate and attachment dimension						Ultimate tensile strength	Weight per meter
	Teilung	Rollen-durchmesser	Innere Breite	Bolzen-durchmesser	Bolzen-länge	Laschen- und Befestigungslaschen-abmessungen						Min. Bruchkraft	Gewicht
	P mm	d1 max mm	b1 min mm	d2 max mm	L max mm	h2 max mm	A mm	B mm	H mm	d4 mm	T mm	Q min kN/LB	q kg/m
08B-U1	12.700	8.51	7.75	4.45	20.0	11.8	14.60	24.2	8.3	-	1.60	18.0/4091	1.13
08B-U2	12.700	8.51	7.75	4.45	34.3	11.8	28.40	24.2	8.3	-	1.50	32.0/7273	1.96
08B-U2F9	12.700	8.51	7.75	4.45	47.9	11.8	28.40	25.5	8.3	4	1.50	29.0/6589	2.00
10B-U1	15.875	10.16	9.65	5.08	23.2	14.7	16.80	30.0	11.3	5	1.60	19.0/4318	1.53
10B-U2	15.875	10.16	9.65	5.08	39.7	14.7	33.30	30.0	11.3	5	1.50	44.5/10114	2.47
12B-U1	19.050	12.07	11.68	5.72	25.7	16.0	19.60	36.0	13.0	5	1.85	29.0/6591	1.90
12B-U2	19.050	12.07	11.68	5.72	45.3	16.0	39.10	36.0	12.0	5	1.85	57.8/13136	3.03
16A-U1	25.400	15.88	15.75	7.92	37.2	24.0	27.50	46.0	16.0	-	2.42	56.7/12746	3.87
16B-U1	25.400	15.88	17.02	8.28	39.7	21.0	29.05	49.0	15.4	6	1.60	58.0/13407	3.73
16B-U2	25.400	15.88	17.02	8.28	71.7	21.0	60.93	49.0	16.2	-	1.60	106/26094	6.15
20BF2	31.750	19.05	19.56	10.19	48.0	26.4	36.00	57.0	21.0	8	3.50	85.0/19318	6.01
20B-U1	31.750	19.05	19.56	10.19	48.0	26.4	36.00	57.0	21.0	-	3.50	85.0/19318	6.00
24B-U1	38.100	25.40	25.40	14.63	61.6	33.2	47.00	72.6	28.0	10	4.50	160.0/36363	10.88



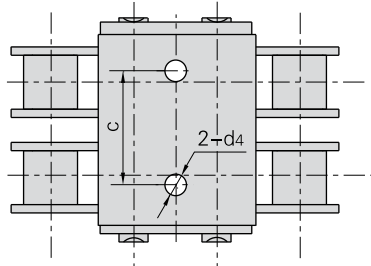
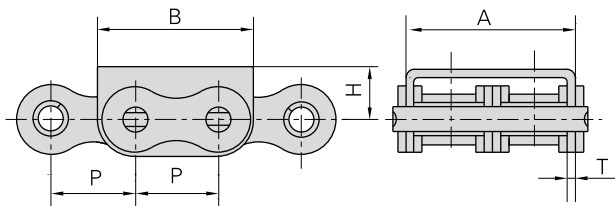
Donghua Chain No. Donghua Ketten Nr.	P	A	B	d4	H	T
	mm	mm	mm	mm	mm	mm
10B-U1F1	15.875	16.8	30.0	M5	11.30	1.60
10B-U1F7	15.875	16.8	30.0	-	10.30	1.60
12B-U1F10	19.050	19.6	36.0	M5	13.00	1.85
16A-U1F2	25.400	27.3	49.5	M6	16.45	2.30
16B-U1F3	25.400	30.3	49.5	M6	16.45	2.30
16B-U1F4	25.400	29.8	47.8	M5	15.00	2.00
16A-U1F7	25.400	27.3	49.5	M6	16.45	2.30
24B-U1F4	38.100	47.0	72.6	-	28.00	4.50
C24B-U1	38.100	47.0	72.6	10	28.00	4.50

Rollenketten mit Sonder-Anbauteilen, U-Bügel

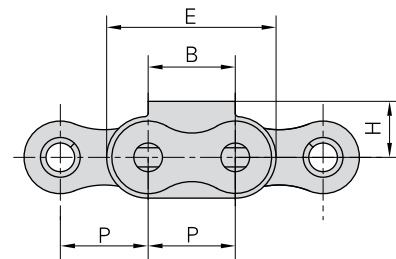
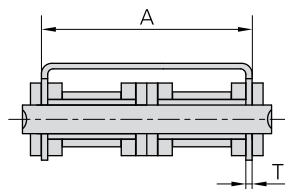
Roller chains with U type attachments

Chaînes à rouleaux avec composants spéciaux

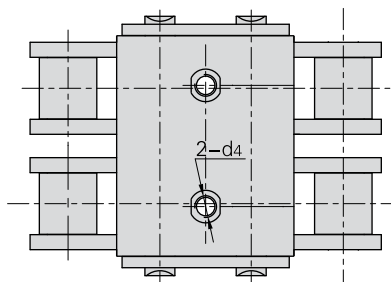
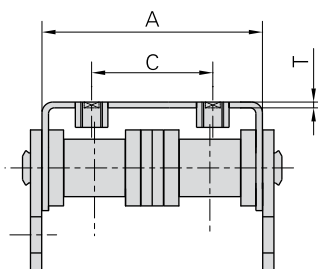
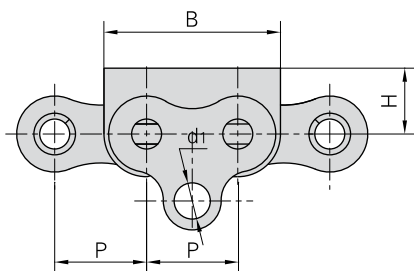
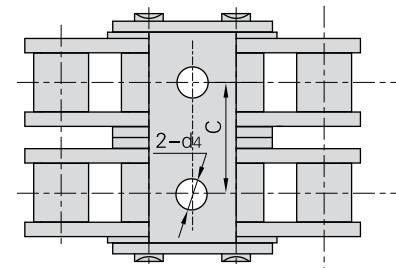
Antriebsketten



Donghua Chain No. <i>Donghua Ketten Nr.</i>	P	A	B	C	d4	H	T
	mm	mm	mm	mm	mm	mm	mm
08B-U2F2	12.700	28.4	24.2	17.5	3.3	8.3	1.50
10A-U2F1	15.875	36.5	29.0	17.5	3.3	12.0	2.03
12B-U2F7	19.050	38.9	36.0	17.5	3.3	13.2	1.85



Donghua Chain No. <i>Donghua Ketten Nr.</i>	P	A	B	C	d4	E	H	T
	mm	mm	mm	mm	mm	mm	mm	mm
16B-U2F1	25.4	60.93	25.0	33.5	9.0	49.0	16.2	1.6

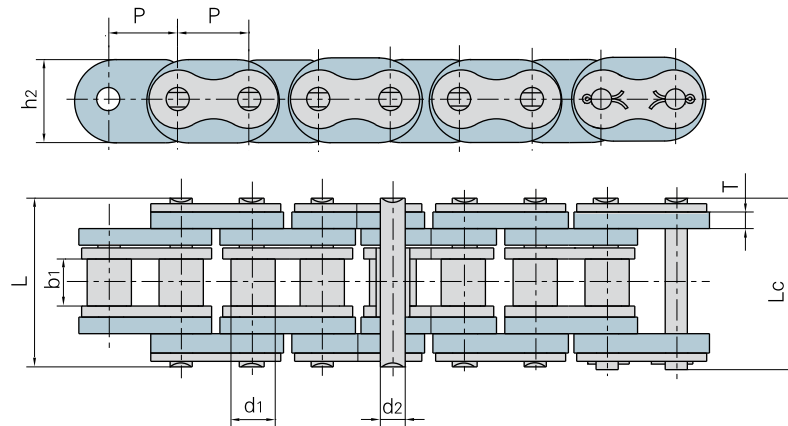


Donghua Chain No. <i>Donghua Ketten Nr.</i>	P	A	B	d4	H	T	C	d1
	mm	mm	mm	mm	mm	mm	mm	mm
16B-U2F2	25.4	60.93	49	M6	18.2	1.6	33.5	10
16B-U2F3	25.4	60.93	49	M6	16.2	1.6	33.5	10

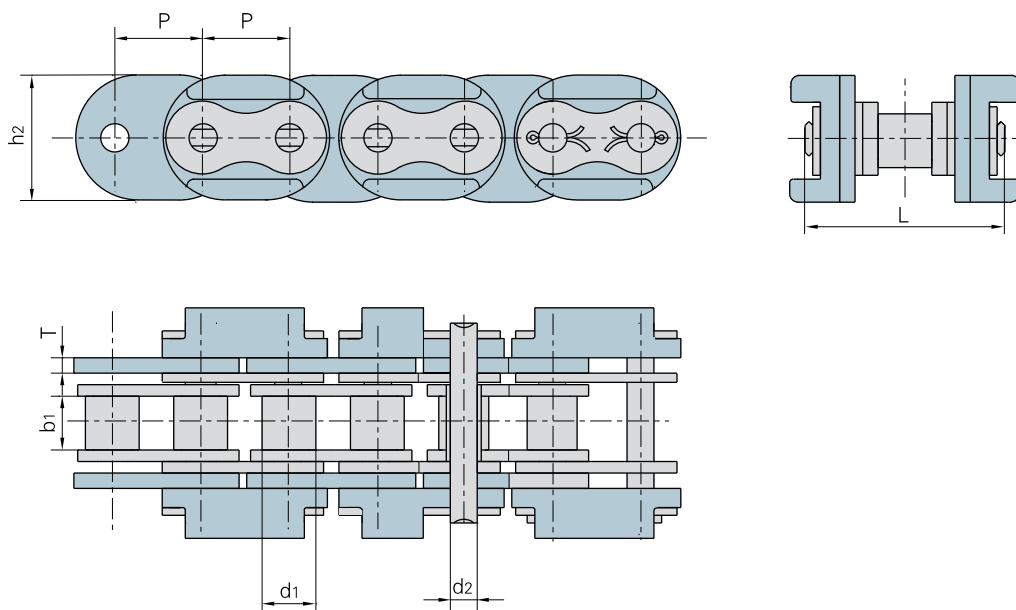
Rollenketten mit Traglaschen aus Kunststoff

Roller chains with plastic attachments

Chaînes à rouleaux avec plaques en plastique



Donghua Chain No. Donghua Ketten Nr.	Pitch	Roller diameter	Width between inner plates	Pin diameter	Pin length		Plate and attachment dimension		Ultimate tensile strength	Weight per meter
	Teilung	Rollen-durchmesser	Innere Breite	Bolzen-durchmesser	Bolzen-länge		Laschen- und Befestigungslaschen-abmessungen		Min. Bruchkraft	Gewicht
	P	d1 max	b1 min	d2 max	L max	Lc max	h2	T	Q min	q
	mm	mm	mm	mm	mm	mm	mm	mm	kN/LB	kg/m
16BF9	25.4	15.88	17.02	8.28	61.0	64.2	30.0	6.0	22.0/4949	3.7



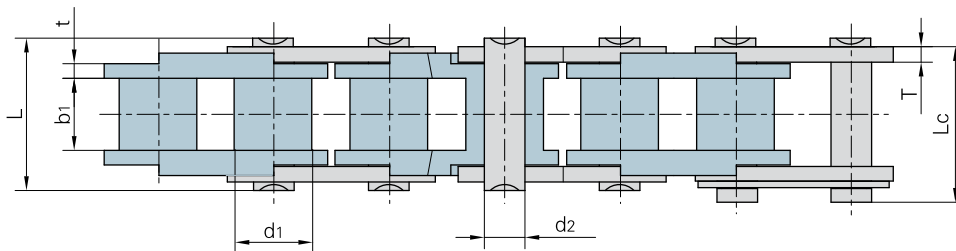
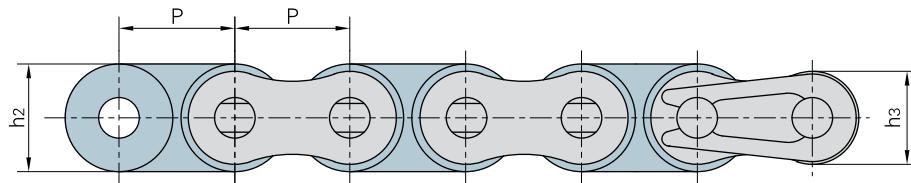
Donghua Chain No. Donghua Ketten Nr.	Pitch	Roller diameter	Width between inner plates	Pin diameter	Pin length		Plate and attachment dimension		Ultimate tensile strength	Weight per meter
	Teilung	Rollen-durchmesser	Innere Breite	Bolzen-durchmesser	Bolzen-länge		Laschen- und Befestigungslaschen-abmessungen		Min. Bruchkraft	Gewicht
	P	d1 max	b1 min	d2 max	L max	Lc max	h2 max	T	Q min	q
	mm	mm	mm	mm	mm	mm	mm	mm	kN/LB	kg/m
20BF6	31.75	19.05	19.56	10.19	73.7	73.7	45.0	6.0	95.0/21591	6.35

Rollenketten mit Innengliedern aus Kunststoff

Roller chains with plastic inner links

Chaînes à rouleaux avec maillons intérieurs en plastique

Engineering plastic inner link light-duty conveyor chains
 Leichte Förderketten mit Innengliedern aus technischem Kunststoff



Donghua Chain No. Donghua Ketten Nr.	Pitch	Roller diameter	Width between inner plates	Pin diameter	Pin length		Plate depth		Plate thickness	Ultimate tensile strength
	Teilung	Rollen-durchmesser	Innere Breite	Bolzen-durchmesser	Bolzen-länge		Laschen-höhe		Laschen-dicke	Min. Bruchkraft
	P	d1 max	b1 min	d2 max	L max	Lc max	h2 max	h3 max	t/T	Q min
	mm	mm	mm	mm	mm	mm	mm	mm	mm	kN/LB
04CPSa	6.350	3.30	3.10	2.31	7.9	8.4	6.0	5.06	0.80	0.6/136
06CPSa	9.525	5.08	4.68	3.58	12.4	13.2	9.0	7.80	1.30	1.1/250
08APSa	12.700	7.92	7.85	3.96	16.6	17.8	12.0	10.40	1.50	2.5/568
10APSa	15.875	10.16	9.40	5.08	20.7	22.2	15.1	13.00	2.03	3.5/795
12APSa	19.050	11.91	12.57	5.94	25.9	27.7	18.0	15.60	2.42	4.5/1023
16APSa	25.400	15.88	15.75	7.92	32.7	35.0	24.0	20.50	3.25	7.5/1023
08BPSa	12.700	8.51	7.75	4.45	16.7	18.2	11.8	10.60	1.60	2.5/568
10BPSa	15.875	10.16	9.65	5.08	19.5	20.9	14.7	13.70	1.70	2.8/629
12BPSa	19.050	12.07	11.68	5.72	22.5	24.2	16.0	15.00	1.85	4.2/1023
16BPSa	25.400	15.88	17.02	8.28	36.1	37.4	21.0	21.00	4.15/3.1	7.5/1023

Rollenketten mit Innengliedern aus Kunststoff

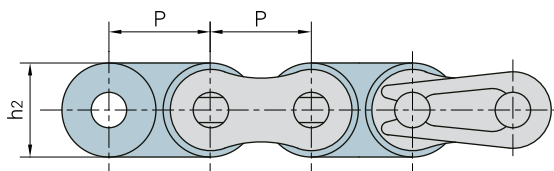
Roller chains with plastic inner links

Chaînes à rouleaux avec maillons intérieurs en plastique

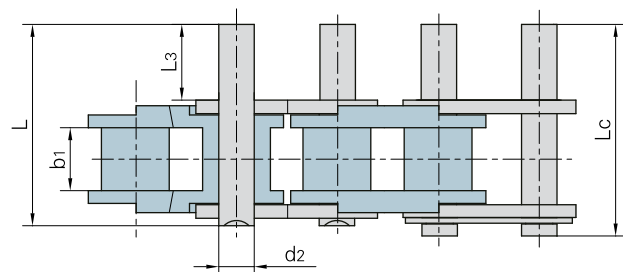
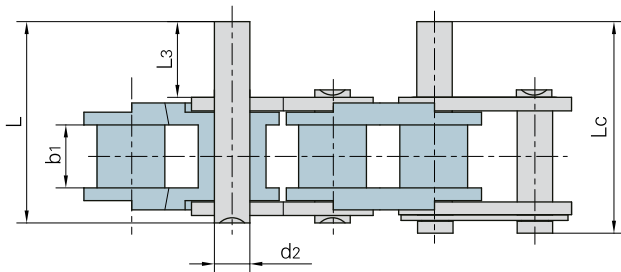
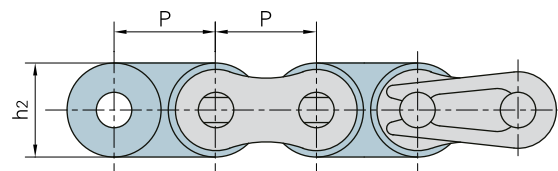
Engineering plastic inner link light-duty conveyor chains
 Leichte Förderketten mit Innengliedern aus technischem Kunststoff

Antriebsketten

D-1



D-3



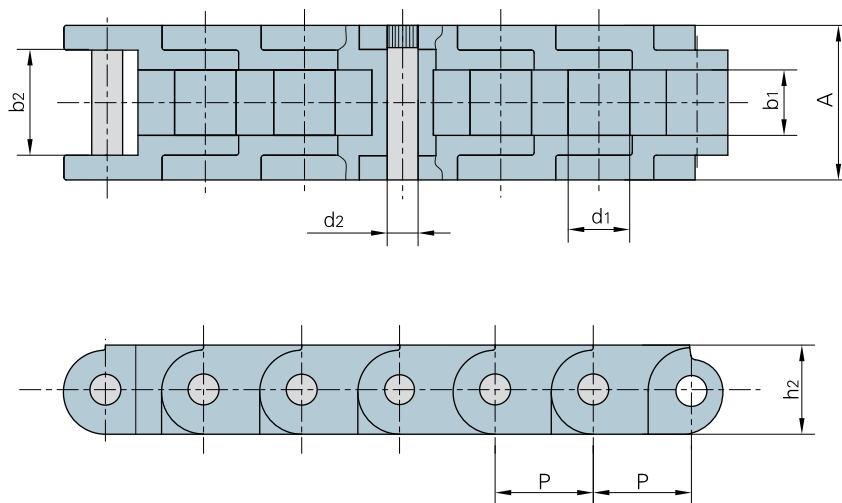
<i>Donghua Chain No.</i>	P	b ₁	d ₂	h ₂	L ₃	L	L _c
<i>Donghua Ketten Nr.</i>	mm	mm	mm	mm	mm	mm	mm
06CPSa	9.525	4.68	3.58	9.0	9.5	20.8	21.6
08APSa	12.700	7.85	3.96	12.0	9.5	25.1	26.2
10APSa	15.875	9.40	5.08	15.1	11.9	31.3	33.1
12APSa	19.050	12.57	5.94	18.0	14.3	38.6	40.6
16APSa	25.400	15.75	7.92	24.0	19.1	50.3	53.3
08BPSa	12.700	7.75	4.45	11.8	9.5	25.1	26.6
10BPSa	15.875	9.65	5.08	14.7	11.9	30.1	31.5
12BPSa	19.050	11.68	5.72	16.0	14.3	35.4	37.1
16BPSa	25.400	17.02	8.28	21.0	19.1	53.0	54.3

Ketten aus Kunststoff

Plastic chains

Chaînes en plastique

Antriebsketten

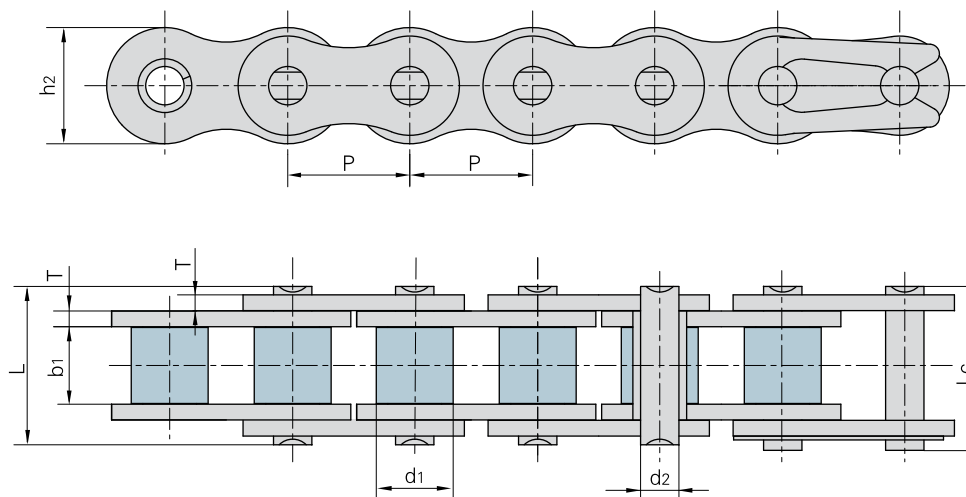


Donghua Chain No. Donghua Ketten Nr.	P	b ₁	b ₂	d ₂	d ₁	A	h ₂	Max. zulässige Last Max allowed load
	mm	mm	mm	mm	mm	mm	mm	KN
PD60	19.05	12.7	20.7	6	11.94	30	17.3	0.88

Rollenketten mit Rollen aus Kunststoff

Roller chains with plastic rollers

Chaînes à rouleaux avec rouleaux en plastique



Donghua Chain No. Donghua Ketten Nr.	Pitch	Roller diameter	Width between inner plates	Pin diameter	Pin length		Inner plate depth	Plate thickness	Ultimate tensile strength	Average tensile strength	Weight per meter
	<i>Teilung</i>	<i>Rollen-durchmesser</i>	<i>Innere Breite</i>	<i>Bolzen-durchmesser</i>	<i>Bolzen-länge</i>		<i>Innere Laschen-höhe</i>	<i>Laschen-dicke</i>	<i>Min. Bruchkraft</i>	<i>Durchschn. Bruchkraft</i>	<i>Gewicht</i>
	P	d1 max	b1 min	d2 max	L max	Lc max	h2 max	T	Q min	Q0	q
	mm	mm	mm	mm	mm	mm	mm	mm	kN/LB	kN	kg/m
40-P	12.700	7.95	7.85	3.96	16.60	17.80	12.00	1.50	14.10/3205	17.5	0.56
50-P	15.875	10.16	9.40	5.08	20.70	22.20	15.09	2.03	22.20/5045	29.4	0.96
60-P	19.050	11.91	12.57	5.94	25.90	27.70	18.00	2.42	31.80/7227	41.5	1.35
80-P	25.400	15.88	15.75	7.92	32.70	35.00	24.00	3.25	56.70/12886	69.4	2.26
A2050-P	31.750	10.16	9.40	5.08	20.70	22.20	15.00	2.03	22.2/5045	28.1	0.61