

C O N V E Y O R C O M P O N E N T S

November 2008 • English Version • Issue 17.0



## Quality and Service

**Your expectation, our standard.**

*Customers expect the best from System-Plast; we are committed to delivering nothing less. In every phase of our operation, from engineering, to production, to sales and assistance, System-Plast is committed to complying with the stringent standards of ISO 9001.*



**When you are looking for a quality conveyor component, look at System Plast.**

We put our Leadership on the line for you.

Our complete range of products combines stainless steel, carbon steel, aluminium and engineered plastics to achieve reliability, superior performance and a compactness of design.

As one of the world's leading suppliers of conveyor components, System-Plast has a tradition of innovation that dates back to 1985 when we entered into this field.

In the last ten years, System-Plast Components have become the standard of design and performance to a wide range of industries, including conveyor manufacturing, materials handling, power transmission, packaging and many more.

In addition to manufacturing excellence, System-Plast has earned a reputation for outstanding customer service, offering a full range of design, custom fabrication and support services.

We hope you will now take a moment to look through this comprehensive manual. Then, when you are ready to discuss your needs with the nearest System-Plast representative, please consult the back cover of this catalog for further details about our sales network. We are able and eager to assist you set up a smooth functioning facility.

**The components you want, when and how you want them.**

System-Plast is ready and able to satisfy your needs with quick answers and delivery of standard or custom made products. Our customers around the world know that the shortest distance between a problem and its solution is to call us: innovations, research, engineering and production are always under a strict control to improve our service and products.

**Call our engineering experts.**

To order the products you have selected, or to get expert advice in choosing the right ones for your application, call System Plast's Engineering Department at (035) 83.51.301, or fax your specifications: (035) 83.51.406.

We'll be happy to provide the information and advice you need.

And we'll work to ensure prompt processing and delivery of your order.



**System Plast offers a complete line of products to answer all your production needs.**

#### CONVEYOR COMPONENTS

- Drive sprockets, idler wheels, corner discs.
- Chain return components.
- Lateral guides and guide rail clamps.
- Adjustable heads and knobs.
- Side mounting and support heads.
- Threaded tube ends.
- Thermoplastic chains.
- Straight and corner tracks.
- Cross clamps.
- Guide rail brackets and drip tray supports.
- Hinges and handles.
- Support bases and levelling elements.

#### BEARING SUPPORTS

- Flanged bearing support.
- Pillow block support.
- Take-up support.
- Cartridge/take-up support.
- Support for shafts from Ø 12 to Ø 40 mm.
- Flanged bearing support in stainless steel.
- Compact pillow block support.
- Cartridge support.
- Support with high corrosion resistance.
- Nolu-Clean antimicrobial material available.

#### LEVELING PADS

- Thermoplastic, steel and stainless steel supporting feet.
- Fixed feet.
- Threaded tube ends.
- Articulated feet with or without mounting holes.
- Vibration absorbing feet.
- Support bases

#### STRUCTURAL COMPONENTS

- Connecting joints.
- Panel clamps.
- Fixing block.
- Spring loaded latch.
- Tube ends and closing caps.
- Mounting profiles.
- Profile for plain tubes.
- Magnetic lock.
- Hinges and handles.

#### CONVEYOR CHAINS

- Straight running chains.
- Sideflexing chains magnetic system.
- Sideflexing chains with rubber pads.
- Sideflexing chains.
- Straight running chains with rubber pads.
- Straight and corner tracks.

#### MODULAR BELTS

- Flat top belts
- Belts with low noise accumulation rollers
- Grip top belts
- Flush grid belts
- Sideflexing flat top chainbelt for magnetic system
- Sideflexing flush grid chainbelt for magnetic system





**Conveyor Line**  
**All that is necessary**  
**where quality is concerned.**

**Conveyor Line**

Conveyor Line is the name given to the widest product line bearing the System Plast name and it includes an infinite number of components for the setting up of automated goods handling systems.

The almost limitless choice and innovative solutions offered make it possible to arrange systems suitable for the most diverse production requirements.

The material used can withstand particularly difficult working conditions, and the structural simplicity of each component facilitates the procedures of sanification of an entire plant. Drive sprockets, return party, guides, clamps and every kind of brackets, all produced according to the strict System Plast standard that has for years guaranteed maximum quality throughout the world.



**Our range**

- Drive sprockets, idler wheels, corner discs.
- Chain return components.
- Lateral guides and guide rail clamps.
- Adjustable heads and knobs.
- Side mounting and support heads.
- Threaded tube ends.
- Thermoplastic chains.
- Straight and corner tracks.
- Cross clamps.
- Guide rail brackets and drip tray supports.
- Hinges and handles.
- Support bases and levelling elements.



# Contents of conveyor line catalogue

Conveyor  
components



**CHAIN GUIDE WEAR STRIP**

[7 - 36](#)



**CHAIN RETURN COMPONENTS**

[37 - 72](#)



**CONVEYOR TRACKS**

[73 - 84](#)



**STRAIGHT TRACKS**

[85 - 92](#)



**SIDE GUIDES**

[93 - 122](#)



**BENDING MACHINES**

[123 - 127](#)



**CLAMPS FOR SIDE GUIDES - ADJUSTING RODS**

[128 - 160](#)



**ROLLER SIDE GUIDE**

[161 - 200](#)



**SIDE GUIDE BRACKETS**

[201 - 260](#)



**DRIP TRAY SUPPORTS**

[261 - 262](#)



**CONNECTING CLAMPS**

[263 - 275](#)



**PHOTOCELL ACCESSORIES**

[276 - 292](#)



**HINGES - HANDLES**

[293 - 298](#)

# Contents of conveyor line catalogue

## Conveyor components



**SYSTEM FRAME ACCESSORIES**

[299 - 305](#)



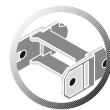
**KNOBS**

[306 - 314](#)



**MODULAR TRANSFER ROLLER PLATES**

[315 - 324](#)



**CABLE CARRIER CHAIN**

[325 - 326](#)



**SUPPORT HEADS**

[327 - 332](#)



**CONNECTING JOINTS**

[333 - 336](#)



**TUBE ENDS**

[337 - 340](#)



**SUPPORT BASES**

[341 - 346](#)

## Technical informations



**TOLERANCES AND DIMENSIONS**

[348](#)

**INTERNATIONAL SYSTEM (SI)  
CONVERSION FACTORS**

[349](#)



**APPLICATION TEMPERATURES**

[349](#)



**CHEMICAL RESISTANCE**

[350 - 351](#)

## Index

**NUMERICAL INDEX**

[353 - 370](#)

# Key to symbols of conveyor line catalogue

## SIZES



**SIZE HEX HEAD BOLT**

.....



**THREAD SIZE**

.....



**TAPPED THREAD SIZE**

.....



**LENGTH**

.....



**HEIGHT**

.....



**DIAMETER**

.....



**LOAD**

.....



**PACKAGING QUANTITY**

.....



**LENGTH OF COIL**

.....

## FEATURES



**MATERIAL**

.....



**COLOUR**

.....



**HEAVY DUTY**

.....



**SAVES TIME AND MONEY**

.....



**FOR USE IN HIGH TEMPERATURE**

.....



**ANTISTATIC**

.....



**NO TOOLS REQUIRED**

.....



Longer nut design allows clamp to be opened while assembly stays intact! Assembly to the rail is much quicker.

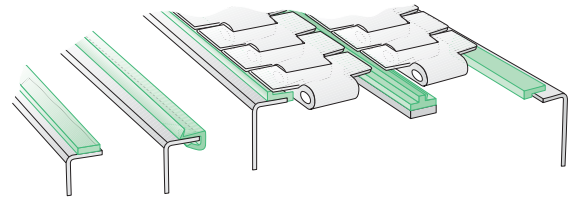
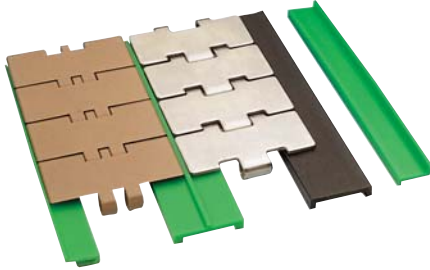
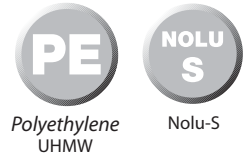
.....



**Chain guide wear strip**

# Polyethylene wear strip

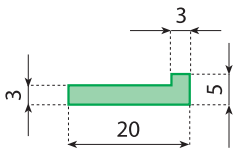
 Preferred type, readily available (codes marked in red)







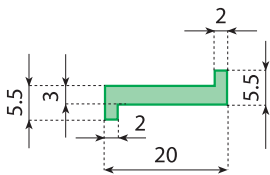
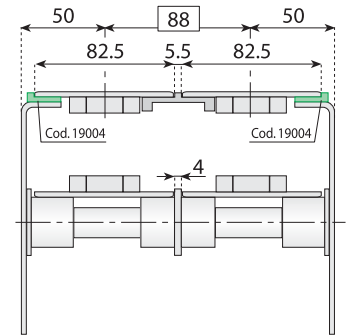
## WEAR STRIP





### Material:

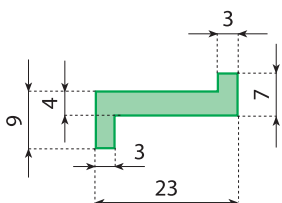
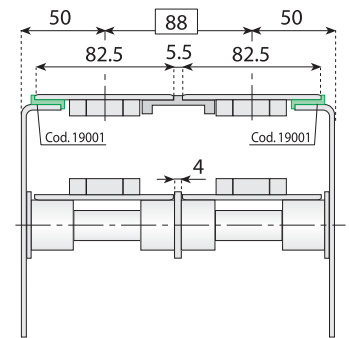
Extruded ultra high molecular weight polyethylene.  
 Max. continuous service temperature in air 90° C.  
 Water absorption coefficient = 0.







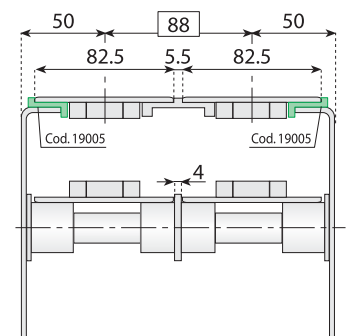
Code				Material	
<b>19004N</b> <b>19004V</b>	-	60 m	60 m	PE	Black Green



Code				Material	
<b>19001N</b> <b>19001V</b> <b>19001NS</b>	-	60 m	60 m	PE PE Nolu-S	Black Green Grey

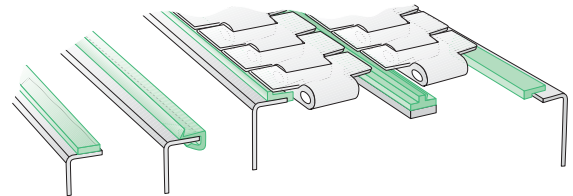
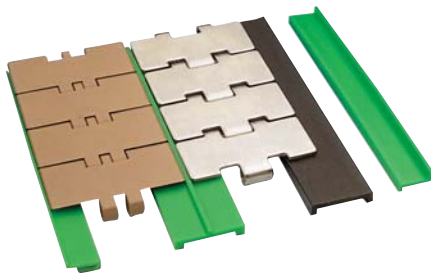
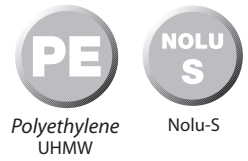


Code				Material	
<b>19005N</b> <b>19005V</b> <b>19005NS</b>	-	60 m	60 m	PE PE Nolu-S	Black Green Grey



# Polyethylene wear strip

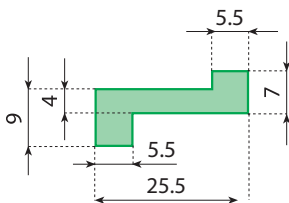
Preferred type, readily available (codes marked in red)



## WEAR STRIP

### Material:

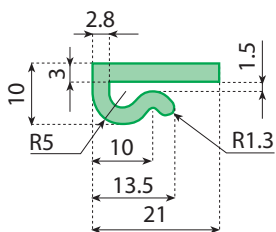
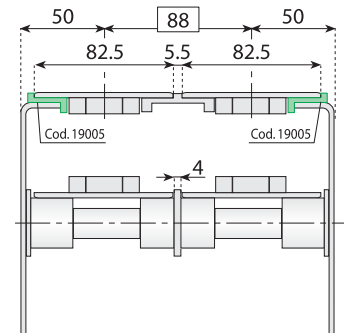
Extruded ultra high molecular weight polyethylene.  
 Max. continuous service temperature in air 90° C.  
 Water absorption coefficient = 0.



### Code

**19005N-SP**  
**19005V-SP**

-	60 m	60 m	PE	Black Green

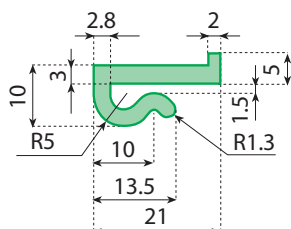
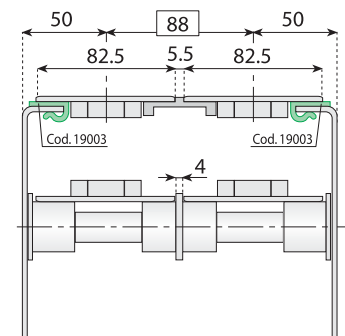


### Code

**19003N**  
**19003V**  
**19003NS**

-	60 m	60 m	PE PE Nolu-S	Black Green Grey

**Notes:** applicable from 2.5 to 4 mm thick sheet metal.

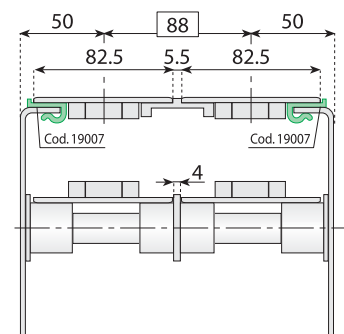


### Code

**19007N**  
**19007V**  
**19007NS**

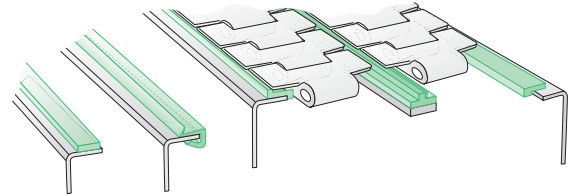
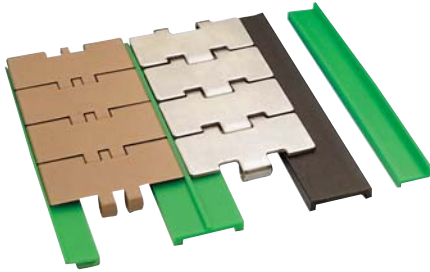
-	60 m	60 m	PE PE Nolu-S	Black Green Grey

**Notes:** applicable from 2.5 to 4 mm thick sheet metal.



# Polyethylene wear strip

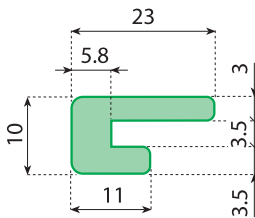
 Preferred type, readily available (codes marked in red)



## WEAR STRIP

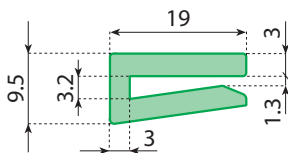
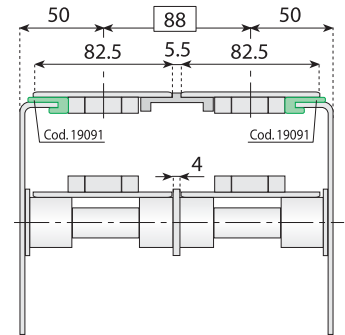
### Material:

Extruded ultra high molecular weight polyethylene.  
Max. continuous service temperature in air 90° C.  
Water absorption coefficient = 0.



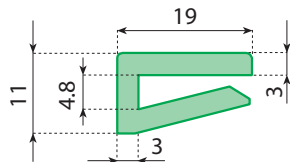
### Code

Code	L			Material	
<b>19091N</b>	6 m	-	60 m	PE	Black
<b>19091V</b>					Green



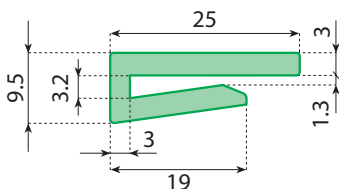
### Code

Code	Ref.	L			Material	
<b>19S00058-3M</b>	VG-P18CC-3M	3 m	-	30 m	PE	White
<b>19S00058-6M</b>	VG-P18CC-6M	6 m	-	60 m		
<b>19S00058-30M</b>	VG-P18CC-30M	-	30 m	30 m		



### Code

Code	Ref.	L			Material	
<b>19S00029-30M</b>	VG-JS3-075-125-30M	-	30 m	30 m	PE	White

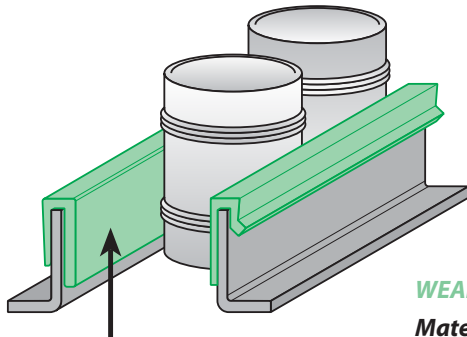


### Code

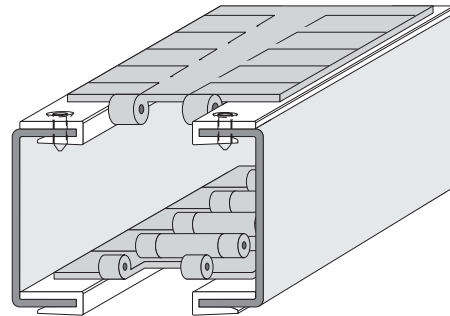
Code	Ref.	L			Material	
<b>19S00015-3M</b>	VG-JS100-125-3M	3 m	-	30 m	PE	White
<b>19S00015-6M</b>	VG-JS100-125-6M	6 m	-	60 m		
<b>19S00015-30M</b>	VG-JS100-125-30M	-	30 m	30 m		

# Polyethylene wear strip

Preferred type, readily available (codes marked in red)



**AS SIDE GUIDE**

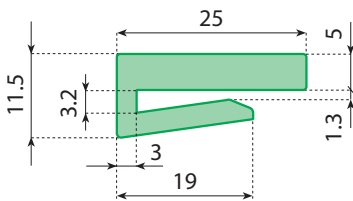


**PE**  
Polyethylene  
UHMW

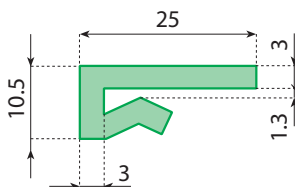
**WEAR STRIP**

**Material:**

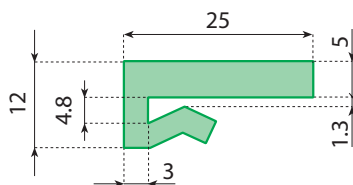
Extruded ultra high molecular weight polyethylene.  
Max. continuous service temperature in air 90° C.  
Water absorption coefficient = 0.



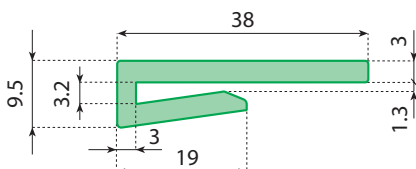
Code	Ref.				Material	
<b>19S00018-3M</b>	VG-JS100-188-3M	3 m	-	30 m	PE	White
<b>19S00018-6M</b>	VG-JS100-188-6M	6 m	-	60 m		
<b>19S00018-30M</b>	VG-JS100-188-30M	-	30 m	30 m		



Code	Ref.				Material	
<b>19S00011-30M</b>	VG-J100-125T-30M	-	30 m	30 m	PE	White



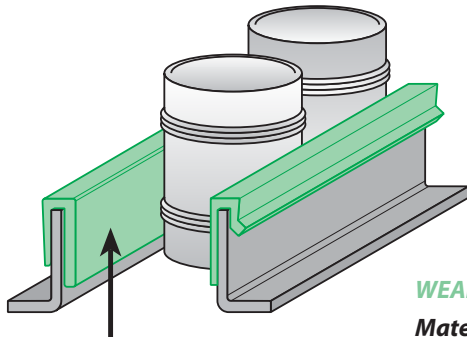
Code	Ref.				Material	
<b>19S00012-30M</b>	VG-J100-188-30M	-	30 m	30 m	PE	White



Code	Ref.				Material	
<b>19S00020-3M</b>	VG-JS150-125-3M	3 m	-	30 m	PE	White
<b>19S00020-6M</b>	VG-JS150-125-6M	6 m	-	60 m		
<b>19S00020-30M</b>	VG-JS150-125-30M	-	30 m	30 m		

# Polyethylene wear strip

 Preferred type, readily available (codes marked in red)

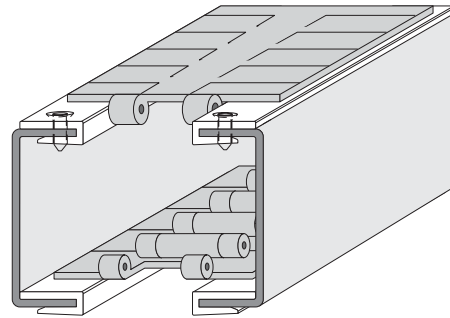


AS SIDE GUIDE

## WEAR STRIP

### Material:

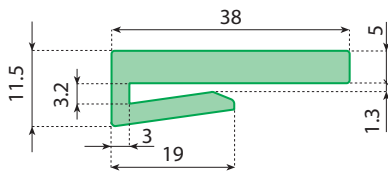
Extruded ultra high molecular weight polyethylene.  
Max. continuous service temperature in air 90° C.  
Water absorption coefficient = 0.







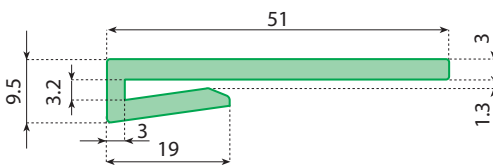
Nolu-S







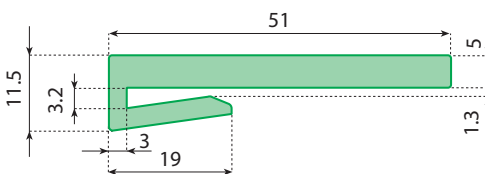
Polyethylene UHMW







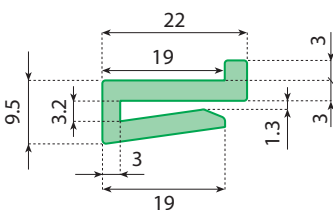
Code	Ref.				Material	
<b>19S00021-3M</b>	VG-JS150-188-3M	3 m	-	30 m	PE	White
<b>19S00021-6M</b>	VG-JS150-188-6M	6 m	-	60 m	PE	White







Code	Ref.				Material	
<b>19S00023-3M</b>	VG-JS200-125-3M	3 m	-	30 m	PE	White
<b>19S00023-6M</b>	VG-JS200-125-6M	6 m	-	60 m	PE	White



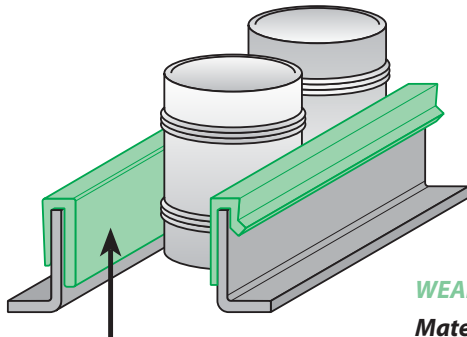
Code	Ref.				Material	
<b>19S00024-3M</b>	VG-JS200-188-3M	3 m	-	30 m	PE	White
<b>19S00024-6M</b>	VG-JS200-188-6M	6 m	-	60 m	PE	White



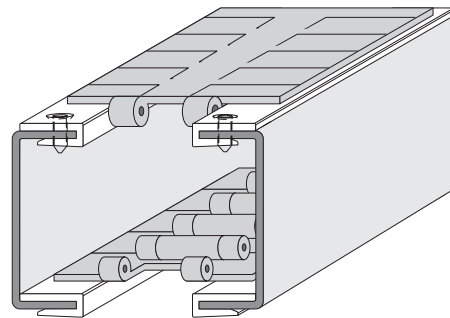
Code	Ref.				Material	
<b>19S00016-3M</b>	VG-JSL075-125-3M	3 m	-	30 m	PE	White
<b>19S00016-6M</b>	VG-JSL075-125-6M	6 m	-	60 m	PE	White
<b>19S00016-30M</b>	VG-JSL075-125-30M	-	30 m	30 m	PE	White
<b>19S00016NS-30M</b>	VG-JSL075-125-NS-30M	-	30 m	30 m	Nolu-S	Light Grey

# Polyethylene wear strip

Preferred type, readily available (codes marked in red)



**AS SIDE GUIDE**

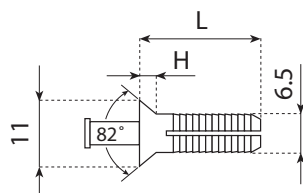
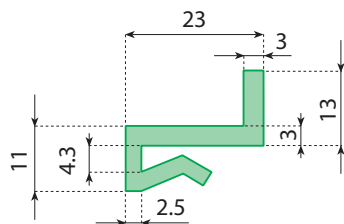
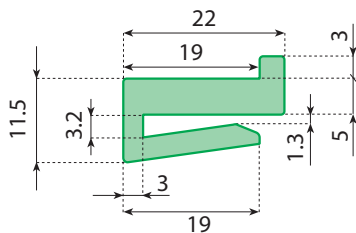


- PE**  
Polyethylene UHMW
- PA**  
Polyamide
- POM**  
Acetal resin

**WEAR STRIP**

**Material:**

Extruded ultra high molecular weight polyethylene.  
Max. continuous service temperature in air 90° C.  
Water absorption coefficient = 0.

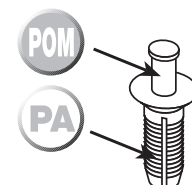
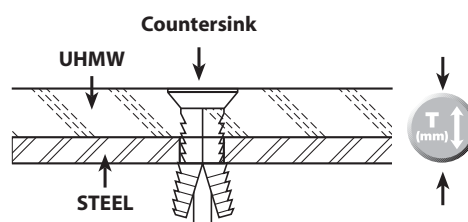


**DRIVE RIVET**

Code	Ref.				Material	
<b>19S00017-30M</b>	VG-JSL075-188-30M	-	30 m	30 m	PE	White

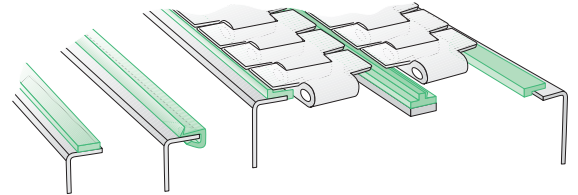
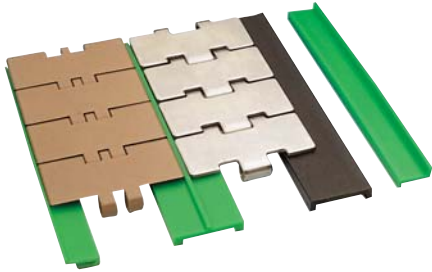
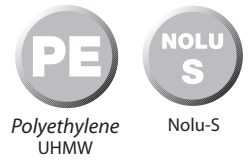
Code	Ref.				Material	
<b>19S00014-3M</b>	VG-JEL-078-125-3M	3 m	-	30 m	PE	White
<b>19S00014-6M</b>	VG-JEL-078-125-6M	6 m	-	60 m	PE	White

Code	Ref.						Material	
		Min.	Max.	Min.	Max.			
<b>14S00086</b>	VG-750-10	19	3	5	12.5			
<b>14S00087</b>	VG-750-20	25	3	6.5	19	n°100	PA-POM	-
<b>14S00088</b>	VG-750-30	38	3	19	32			



# Chain guide wear strip

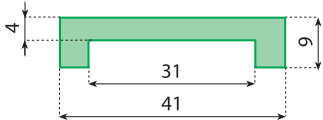
 Preferred type, readily available (codes marked in red)



## WEAR STRIP

### Material:

Extruded ultra high molecular weight polyethylene.  
 Max. continuous service temperature in air 90° C.  
 Water absorption coefficient = 0.



### Code

**19045N**  
**19045V**  
**19045NS**



6 m



-



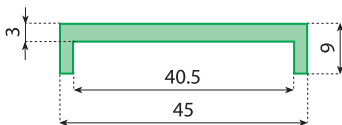
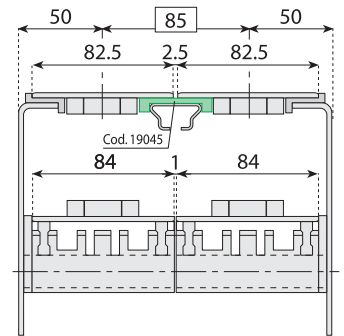
30 m

Material

PE  
 Nolu-S



Black  
 Green  
 Grey



### Code

**19075N**  
**19075V**



6 m



-



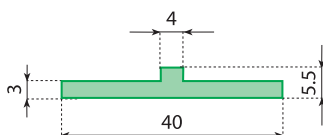
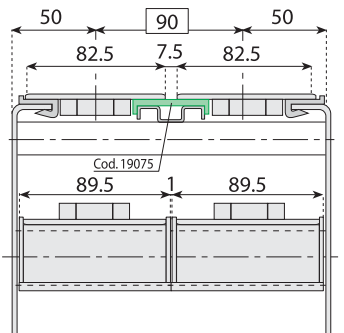
30 m

Material

PE



Black  
 Green



### Code

**19002N**  
**19002V**



-



60 m



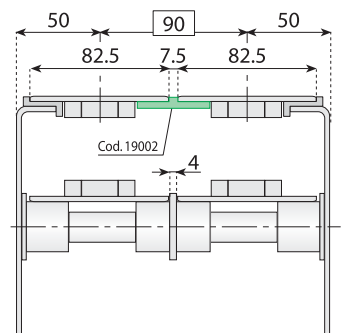
60 m

Material

PE



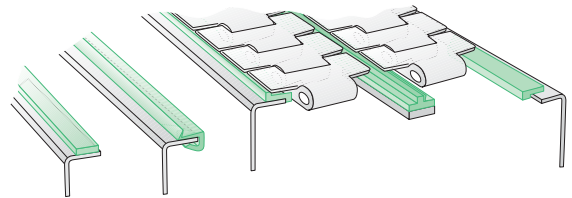
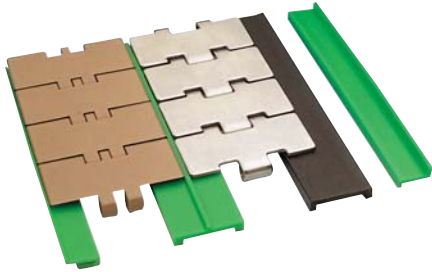
Black  
 Green



# Polyethylene wear strip

Preferred type, readily available (codes marked in red)

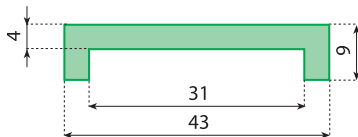
**PE**  
Polyethylene  
UHMW



## WEAR STRIP

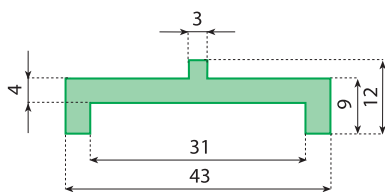
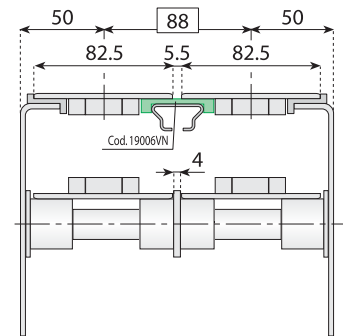
### Material:

Extruded ultra high molecular weight polyethylene.  
Max. continuous service temperature in air 90° C.  
Water absorption coefficient = 0.



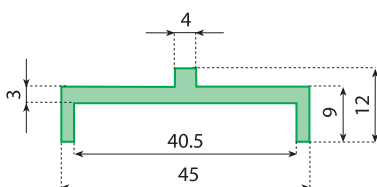
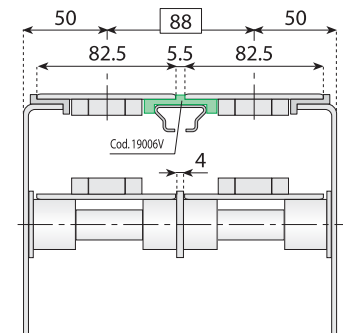
### Code

<b>19006LN</b>	-	60 m	60 m	PE	Black
<b>19006VN</b>	-	60 m	60 m	PE	Green



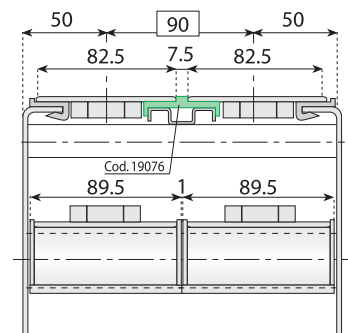
### Code

<b>19006N</b>	-	60 m	60 m	PE	Black
<b>19006V</b>	-	60 m	60 m	PE	Green



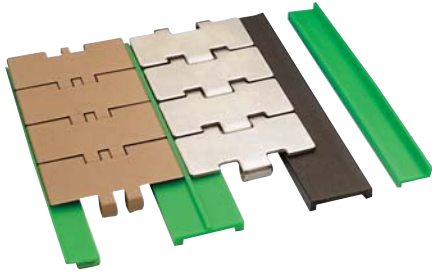
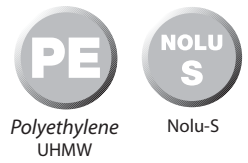
### Code

<b>19076N</b>	6 m	-	30 m	PE	Black
<b>19076V</b>	6 m	-	30 m	PE	Green



# Polyethylene wear strip

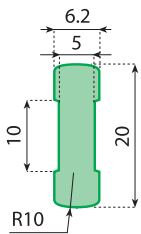
 Preferred type, readily available (codes marked in red)



## WEAR STRIP

### Material:

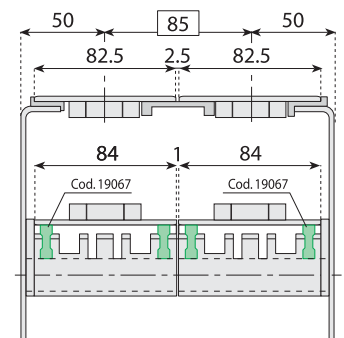
Extruded ultra high molecular weight polyethylene.  
Max. continuous service temperature in air 90° C.  
Water absorption coefficient = 0.






### Code

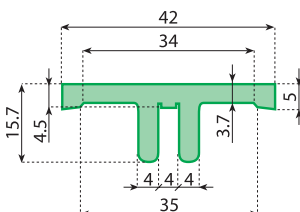
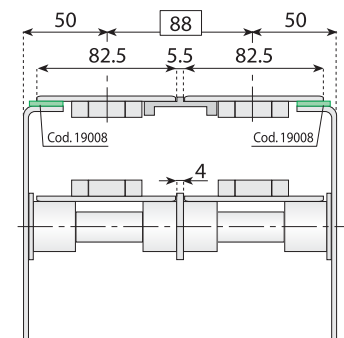
Code				Material	
<b>19067N</b>	-	60 m	60 m	PE	Black
<b>19067V</b>	-	60 m	60 m	PE	Green
<b>19067NS</b>	-	60 m	60 m	Nolu-S	Grey

Notes: use for spacer code 14349.



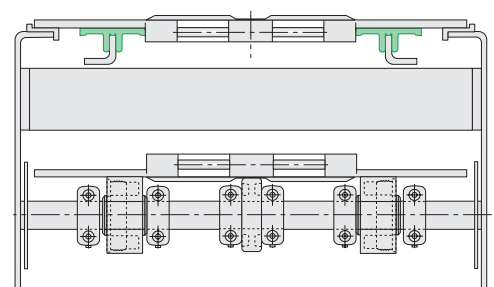
### Code

Code	L x H mm			Material	
<b>19008N</b>	20 x 3				Black
<b>19008V</b>	20 x 3				Green
<b>19009N</b>	20 x 5				Black
<b>19009V</b>	20 x 5				Green
<b>19010N</b>	25 x 3				Black
<b>19010V</b>	25 x 3				Green
<b>19011N</b>	30 x 3				Black
<b>19011V</b>	30 x 3				Green
<b>19012N</b>	40 x 3	60 m	60 m	PE	Black
<b>19012V</b>	40 x 3	60 m	60 m	PE	Green
<b>19013N</b>	50 x 3				Black
<b>19013V</b>	50 x 3				Green
<b>19014SN</b>	60 x 3				Black
<b>19014SV</b>	60 x 3				Green
<b>19014N</b>	70 x 3				Black
<b>19014V</b>	70 x 3				Green



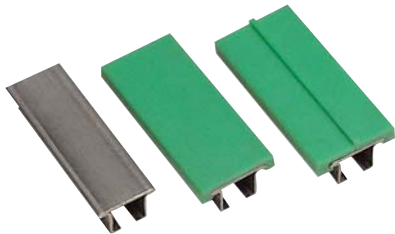
### Code

Code			Material	
<b>19093N</b>	3 m	30 m	PE	Black
<b>19093V</b>	3 m	30 m	PE	Green
<b>19093B</b>	3 m	30 m	PE	White



# Chain guide wear strip

Preferred type, readily available (codes marked in red)



## WEAR STRIP

### Material:

Extruded ultra high molecular weight polyethylene.  
Max. continuous service temperature in air 90° C.  
Water absorption coefficient = 0.



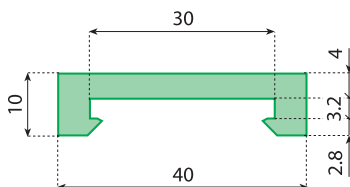
Polyethylene UHMW



Polyethylene antistatic UHMW

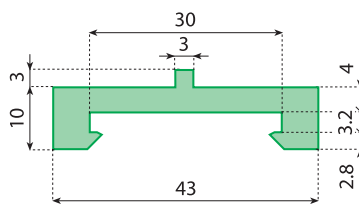
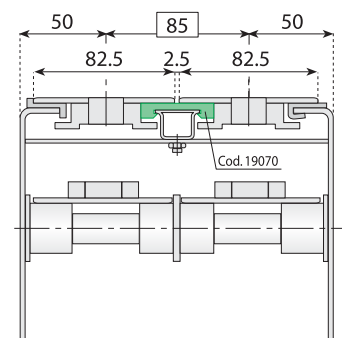


Nolu-S



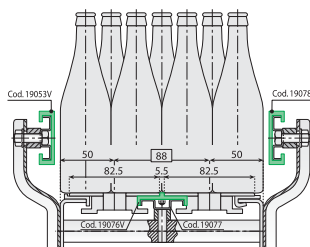
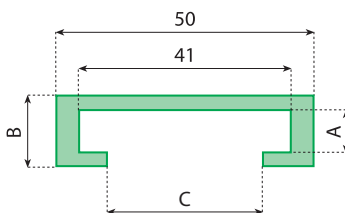
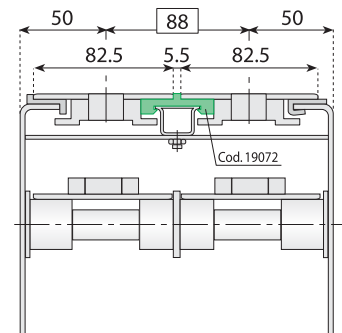
Code				Material	
<b>19071C</b>		3 m		PE	Black
<b>19071</b>		6 m		PE	Black
<b>19070C</b>		3 m		PE	Green
<b>19070</b>		6 m		PE	Green
<b>19070BC</b>	0.20	3 m	30 m	PE	White
<b>19070B</b>		6 m		PE	White
<b>19071ASC</b>		3 m		PE-as	Black
<b>19071AS</b>		6 m		PE-as	Black
<b>19071NS</b>		6 m		Nolu-S	Grey

**Notes:** this profile can be used in combination with steel profile code 19048 - 19048K.



Code				Material	
<b>19073C</b>		3 m		PE	Black
<b>19073</b>		6 m		PE	Black
<b>19072C</b>		3 m		PE	Green
<b>19072</b>		6 m		PE	Green
<b>19072BC</b>	0.20	3 m	30 m	PE	White
<b>19072B</b>		6 m		PE	White
<b>19073ASC</b>		3 m		PE-as	Black
<b>19073AS</b>		6 m		PE-as	Black

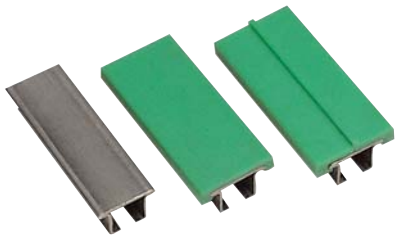
**Notes:** this profile can be used in combination with steel profile code 19048 - 19048K.



Code			A	B	C		Material	
<b>19080N</b>	0.23	3 m	6.5	12			PE	Black
<b>19080NL</b>	0.23	6 m	6.5	12	30	30 m	PE	Black
<b>19080V</b>	0.23	3 m	6.5	12			PE	Green
<b>19080VL</b>	0.23	6 m	6.5	12			PE	Green
<b>19053N</b>	0.25	3 m	8.5	14			PE	Black
<b>19053NL</b>	0.25	6 m	8.5	14	27.5	30 m	PE	Black
<b>19053V</b>	0.25	3 m	8.5	14			PE	Green
<b>19053VL</b>	0.25	6 m	8.5	14			PE	Green
<b>19081N</b>	0.27	3 m	10.5	16			PE	Black
<b>19081NL</b>	0.27	6 m	10.5	16	35	30 m	PE	Black
<b>19081V</b>	0.27	3 m	10.5	16			PE	Green
<b>19081VL</b>	0.27	6 m	10.5	16			PE	Green

# Chain guide wear strip

 Preferred type, readily available (codes marked in red)



## CHAIN GUIDE WEAR STRIP

### Material:

- Metal profile in stainless steel AISI 304.
- Wear strip in UHMWPE.

### Characteristics:

- Very low friction coefficient.
- High resistance to chemical agents.
- No liquid absorption.

### Supply:

- 3 or 6 meters.
- Steel profile and wear strip are supplied assembled.

### Application:

- As chain guide.
- As side guide.



Polyethylene  
UHMW



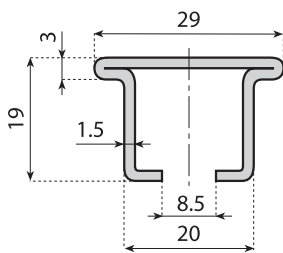
Polyethylene  
antistatic  
UHMW






AISI 304  
Stainless steel



Accessories

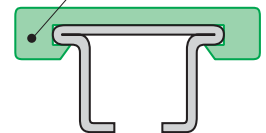


STAINLESS STEEL PROFILE

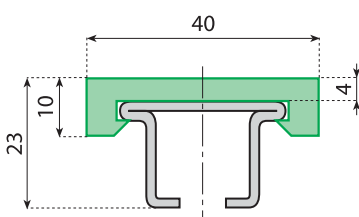
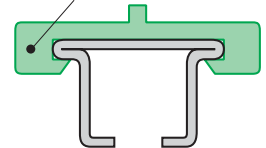
Code				Material
<b>19048C</b>	0.90	3 m	30 m	SS 304
<b>19048</b>		6 m		



These profiles are applicable  
to code 19048 - 19048C

cod. 19070 - 19071

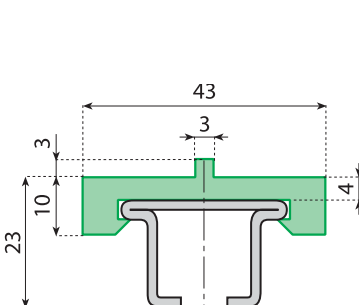
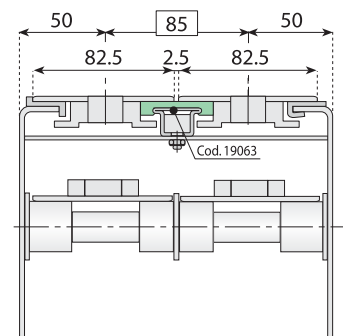


cod. 19072 - 19073



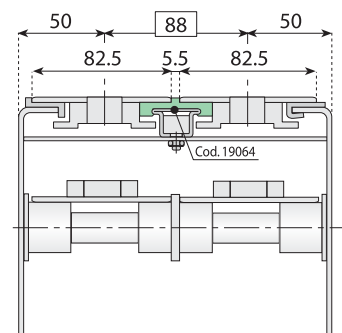
Code				Material	
<b>19063NC</b>	1.10	3 m	30 m	PE	Black
<b>19063N</b>		6 m		PE	Black
<b>19063VC</b>		3 m		PE	Green
<b>19063V</b>		6 m		PE	Green
<b>19063BC</b>		3 m		PE	White
<b>19063B</b>		6 m		PE	White
<b>19063ASC</b>		3 m		PE-as	Black
<b>19063AS</b>		6 m		PE-as	Black

**Notes:** the stainless steel profile and wear strip are supplied assembled.



Code				Material	
<b>19064NC</b>	1.10	3 m	30 m	PE	Black
<b>19064N</b>		6 m		PE	Black
<b>19064VC</b>		3 m		PE	Green
<b>19064V</b>		6 m		PE	Green
<b>19064BC</b>		3 m		PE	White
<b>19064B</b>		6 m		PE	White
<b>19064ASC</b>		3 m		PE-as	Black
<b>19064AS</b>		6 m		PE-as	Black

**Notes:** the stainless steel profile and wear strip are supplied assembled.



# Chain guide wear strip

Preferred type, readily available (codes marked in red)



## CHAIN GUIDE WEAR STRIP

### Material:

- Metal profile in stainless steel AISI 304.
- Wear strip in UHMWPE.

### Characteristics:

- Very low friction coefficient.
- High resistance to chemical agents.
- No liquid absorption.

### Supply:

- 3 or 6 meters.
- Steel profile and wear strip are supplied assembled.

### Application:

- As chain guide.
- As side guide.



Polyethylene  
UHMW



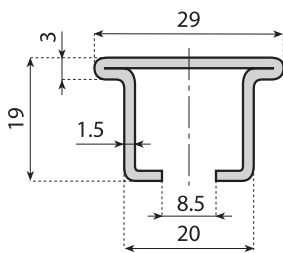
Polyethylene  
antistatic  
UHMW



AISI 304  
Stainless steel



Accessories

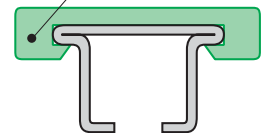


STAINLESS STEEL PROFILE

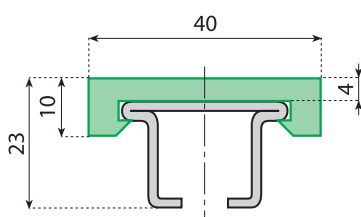
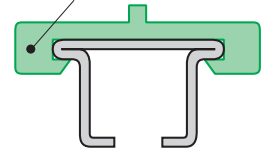
Code	Kg/m	L	Material
<b>19048KC</b>	0.90	3 m	SS 430
<b>19048K</b>		6 m	

These profiles are applicable to code 19048 - 19048C

cod. 19070 - 19071

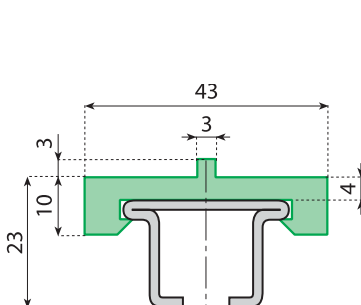
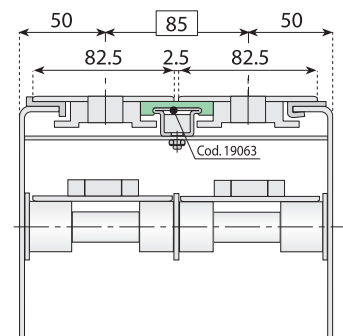


cod. 19072- 19073



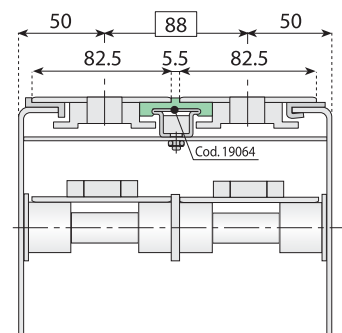
Code	Kg/m	L	Material	Color
<b>19063KNC</b>	1.10	3 m	PE	Black
<b>19063KN</b>		6 m	PE	Black
<b>19063KVC</b>		3 m	PE	Green
<b>19063KV</b>		6 m	PE	Green
<b>19063KBC</b>		3 m	PE	White
<b>19063KB</b>		6 m	PE	White
<b>19063KASC</b>		3 m	PE-as	Black
<b>19063KAS</b>		6 m	PE-as	Black

Notes: the stainless steel profile and wear strip are supplied assembled.



Code	Kg/m	L	Material	Color
<b>19064KNC</b>	1.10	3 m	PE	Black
<b>19064KN</b>		6 m	PE	Black
<b>19064KVC</b>		3 m	PE	Green
<b>19064KV</b>		6 m	PE	Green
<b>19064KBC</b>		3 m	PE	White
<b>19064KB</b>		6 m	PE	White
<b>19064KASC</b>		3 m	PE-as	Black
<b>19064KAS</b>		6 m	PE-as	Black

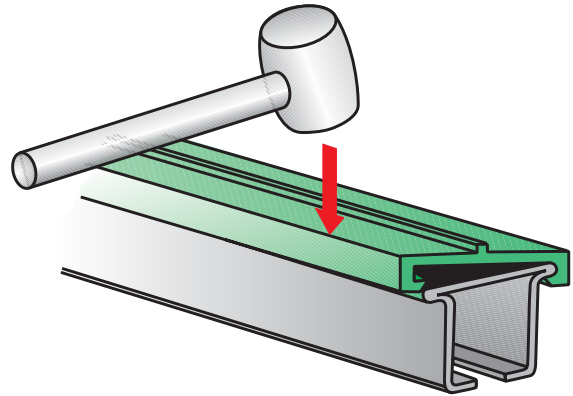
Notes: the stainless steel profile and wear strip are supplied assembled.



# Chain guide wear strip

## ASSEMBLY

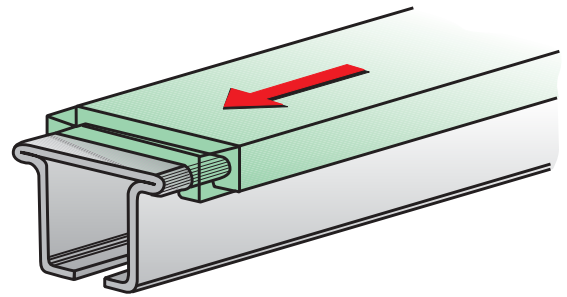
**Notes:** steel profile and wear strip can be assembled by using a rubber hammer.



## THERMAL EXPANSION

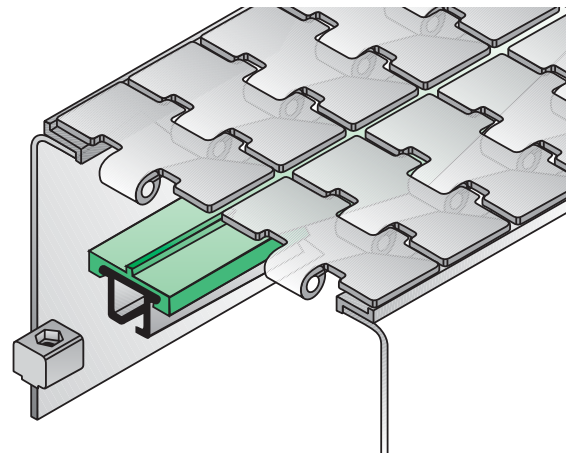
### Notes:

- Coefficient of linear expansion of wear strip between + 20° C and + 120° C =  $2 \times 10^{-4}$  mm/°C.
- Max. continuous service temperature in air: 90° C.
- Water absorption = 0.



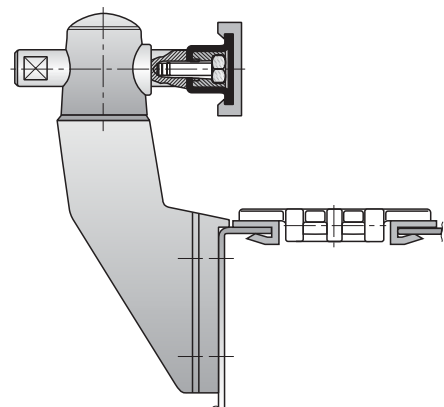
## FIXING

**Notes:** rapid wear strip assembly with M6 or M8 screws.



## SIDE GUIDE

**Application:** the profile can be used on several conveyors as a side guide or as a chains support in combination with standard UHMWPE guides or wear strip.



# Wear strip shoe for steel profile

Preferred type, readily available (codes marked in red)



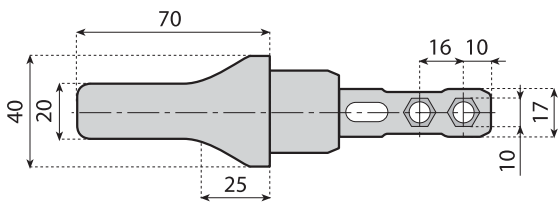
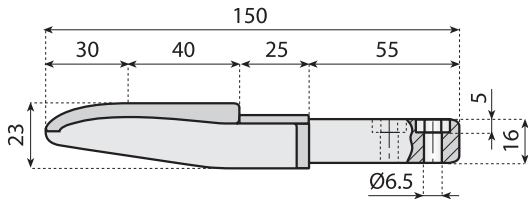
Polyamide



Accessories

## WEAR STRIP SHOE

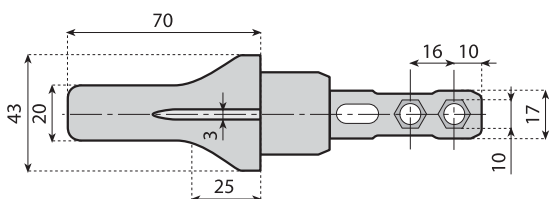
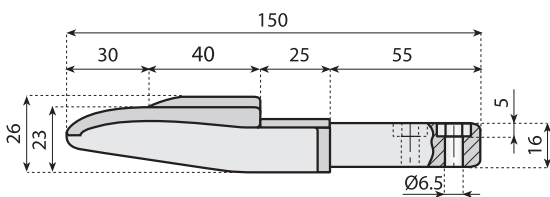
**Application:** shoes are used to help chain guide between idler wheels and wear strip and must be fixed with M6 screws.



## WEAR STRIP SHOE

**Application:** with chain L 82,5 - K325.

Code	for screws		Material	
<b>14090</b>	M 6	n°50	PA	Black
<b>14090V</b>	M 6	n°50	PA	Green

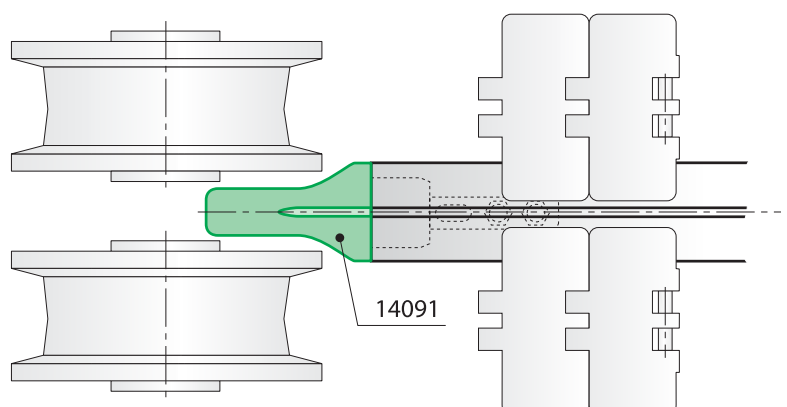
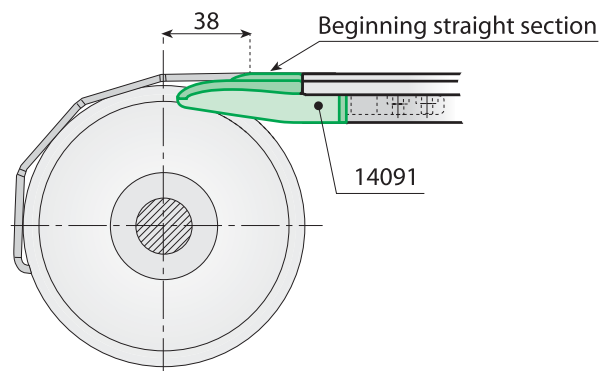
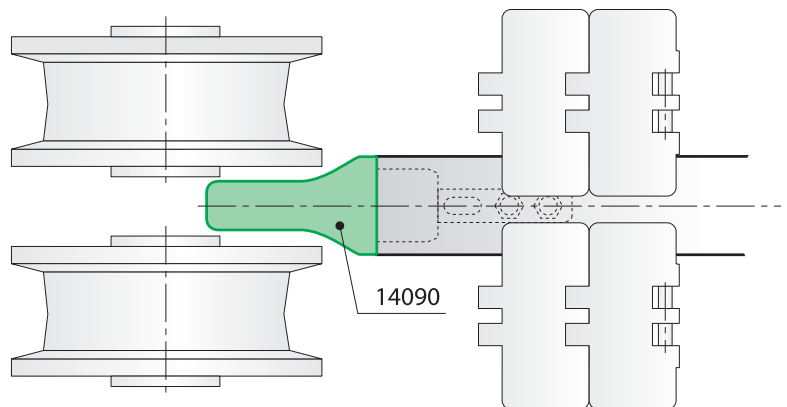


## WEAR STRIP SHOE

**Application:** with chain L 82,5 - K325 pitch P = 88 mm.

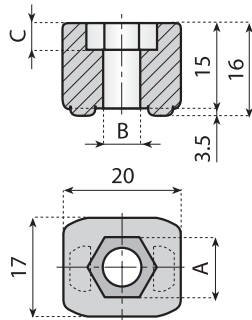
Code	for screws		Material	
<b>14091</b>	M 6	n°50	PA	Black
<b>14091V</b>	M 6	n°50	PA	Green

## APPLICATION EXAMPLE





# Chain guide wear strip (accessories)

 Preferred type, readily available (codes marked in red)

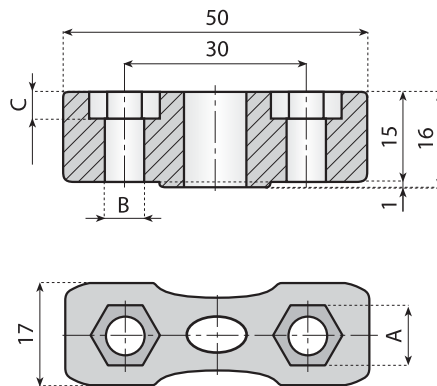
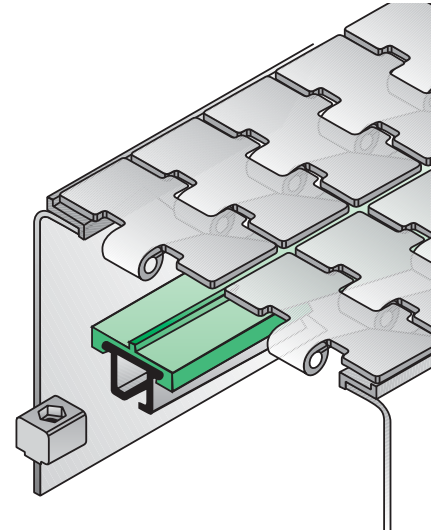


## FIXING CLAMP



**Application:** rapid wear strip assembly with M6 or M8 screws.

Code	A mm	B mm	C mm	for screws		Material	
<b>14108</b>	10	6.2	4.5	M6	n°100	PA-FG	Black
<b>14109</b>	13	8.2	6	M8			

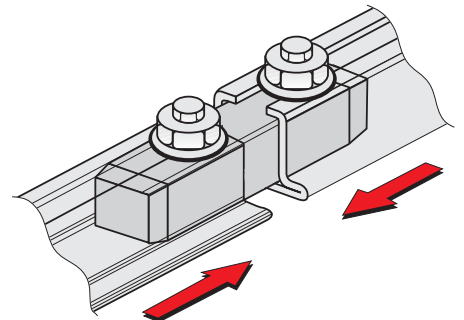
**Notes:** screws are not included.



## CONNECTING ELEMENT

Code	A mm	B mm	C mm	for screws		Material	
<b>14075</b>	10	6.2	4.5	M6	n°100	PA-FG	Black
<b>14111</b>	13	8.2	6	M8			

**Notes:** screws are not included.



# Wear strip shoe for steel profile

Preferred type, readily available (codes marked in red)

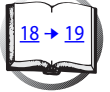


## WEAR STRIP SHOE

**Application:** shoes are used to help chain guide between idler wheels and wear strip and must be fixed with M6 screws.



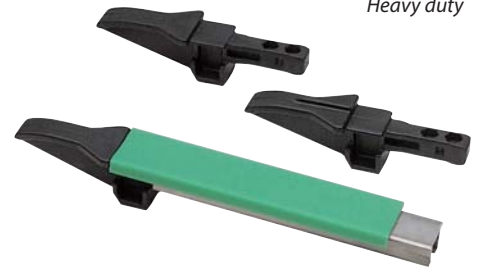
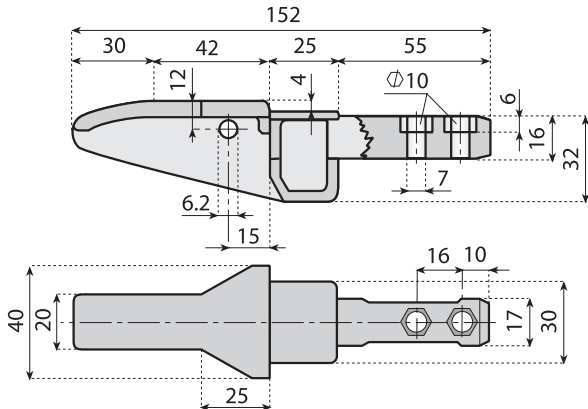
Polyamide



Accessories



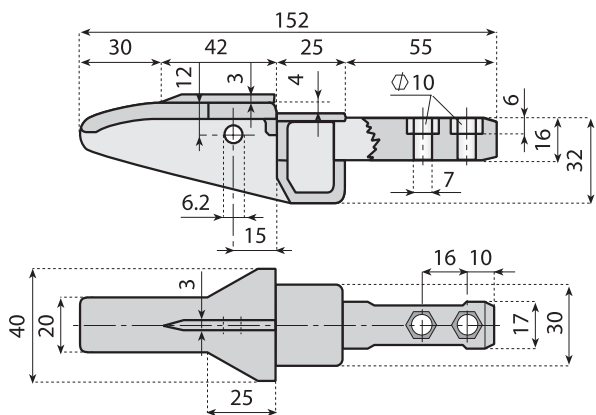
Heavy duty



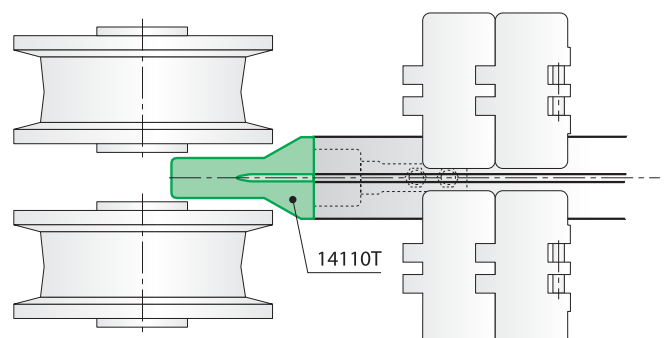
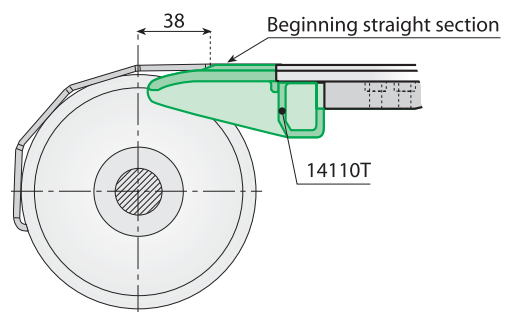
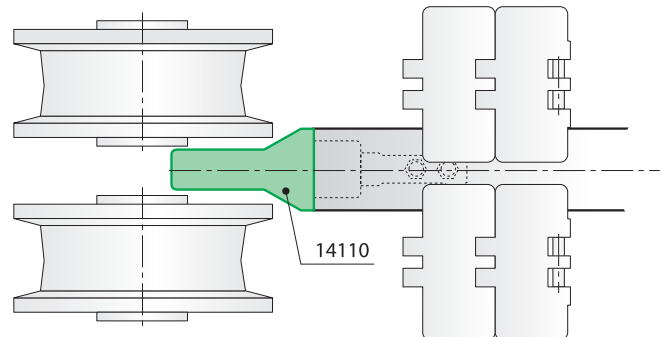
## WEAR STRIP SHOE

**Application:** with chain L 82,5 - K325.

Code	for screws	n°	Material	Color
<b>14110</b>	M 6	n°50	PA	Black
14110V				Green



## APPLICATION EXAMPLE



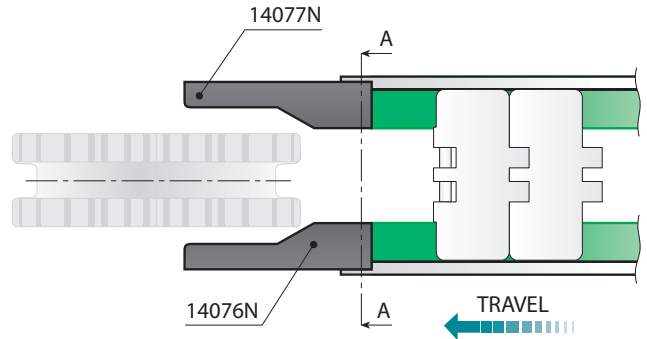
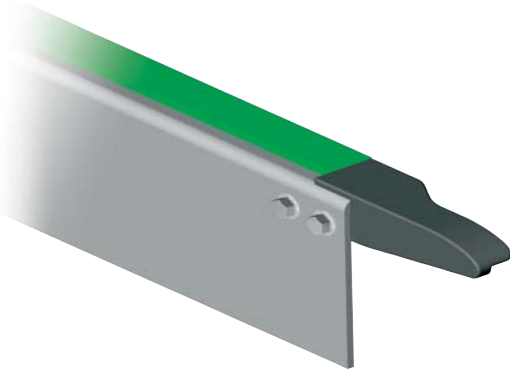
## WEAR STRIP SHOE

**Application:** with chain L 82,5 - K325 pitch P = 88 mm.

Code	for screws	n°	Material	Color
<b>14110T</b>	M 6	n°50	PA	Black
14110TV				Green

# Chain inlet guide shoes

 Preferred type, readily available (codes marked in red)





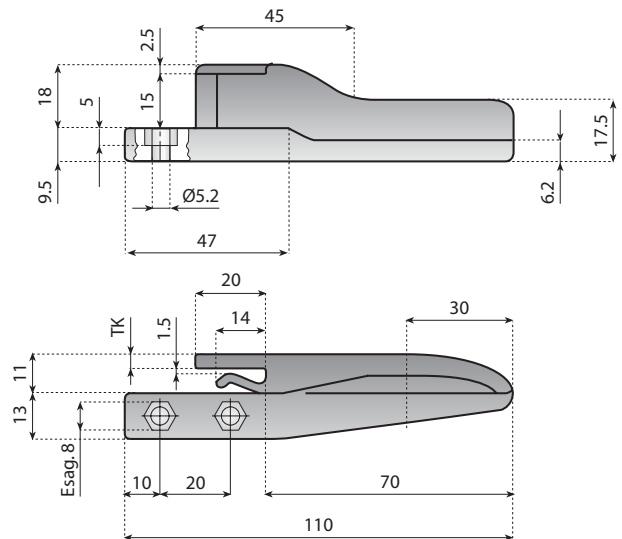
## CHAIN INLET GUIDE SHOES

**Application:** shoes are used to help chain guide between idler wheels and wear strip and must be fixed with M5 screws.





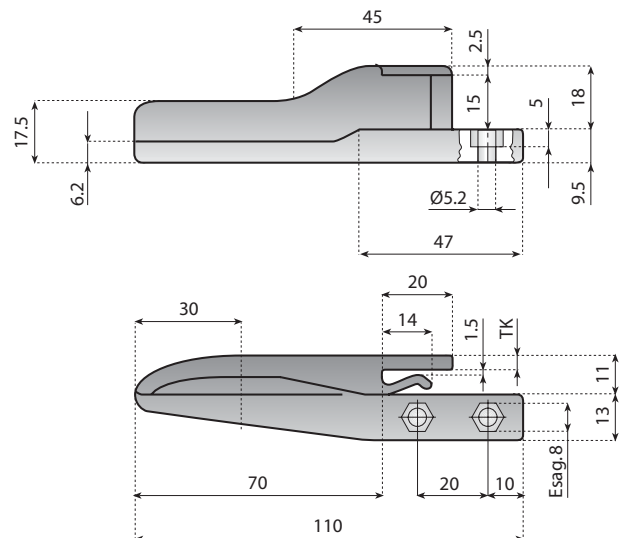
## GUIDE SHOE (right version)

Code	fixing screws	TK		Material	
<b>14076N</b>	M 5	3 mm	n°10	PA	Black
<b>14076V</b>		3 mm			Green
<b>14087N</b>		4 mm			Black
<b>14087V</b>		4 mm			Green



## GUIDE SHOE (left version)

Code	fixing screws	TK		Material	
<b>14077N</b>	M 5	3 mm	n°10	PA	Black
<b>14077V</b>		3 mm			Green
<b>14088N</b>		4 mm			Black
<b>14088V</b>		4 mm			Green

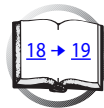


# Side transfer guide shoe

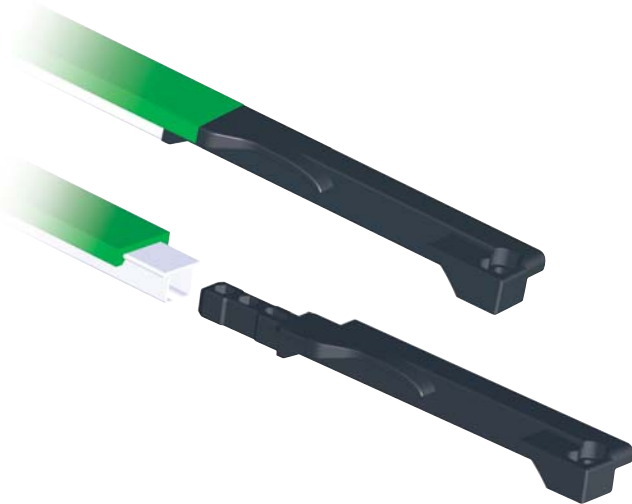
Preferred type, readily available (codes marked in red)



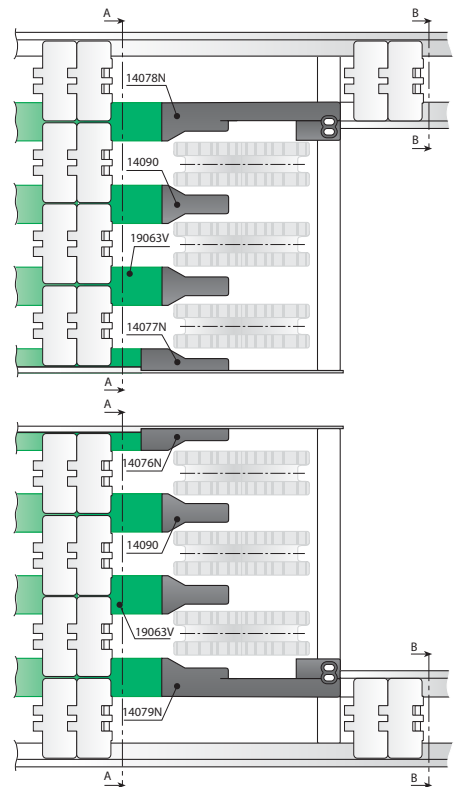
Polyamide



Accessories



**IMPROVED DESIGN**

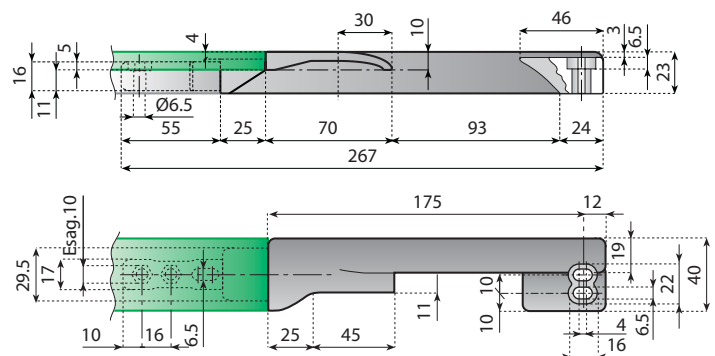


## SIDE TRANSFER GUIDE SHOE

**Application:** shoes are used to help chain guide between idler wheels and wear strip and must be fixed with M6 screws.

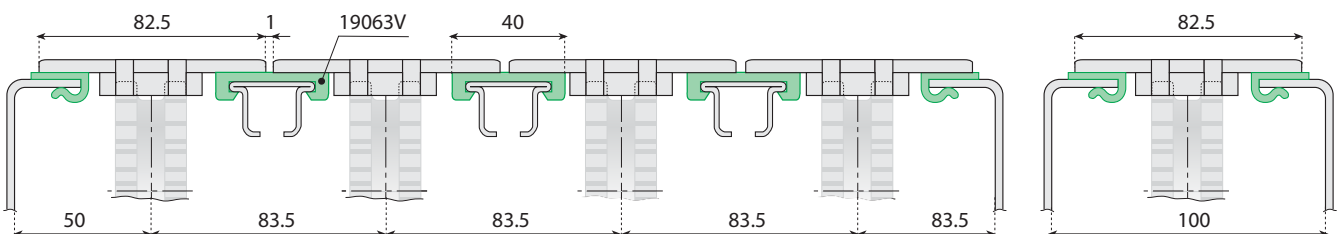
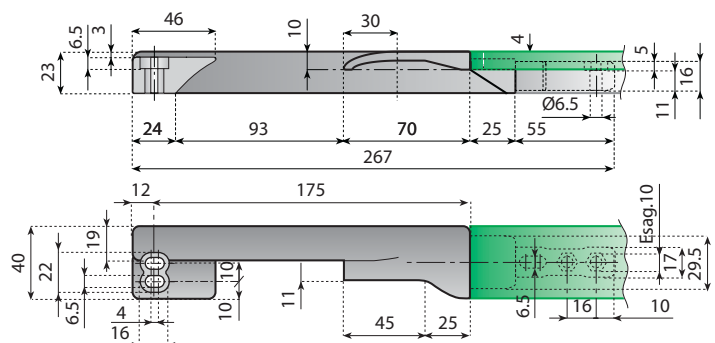
## SIDE TRANSFER GUIDE SHOE - RIGHT VERSION

Code	fixing screws	n°	Material	Color
<b>14078N</b> 14078V	M 6	n°10	PA	Black Green



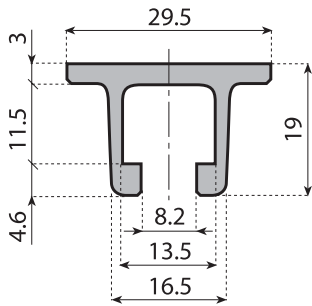
## SIDE TRANSFER GUIDE SHOE - LEFT VERSION

Code	fixing screws	n°	Material	Color
<b>14079N</b> 14079V	M 6	n°10	PA	Black Green

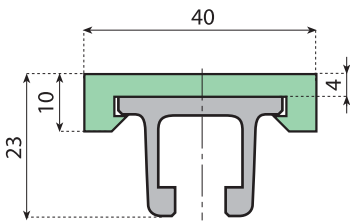


# Chain guide wear strip

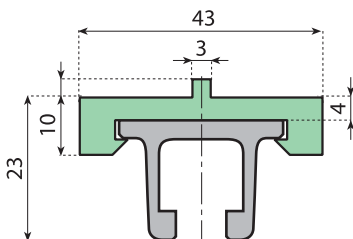
 Preferred type, readily available (codes marked in red)



ALUMINIUM PROFILE



CHAIN GUIDE WEAR STRIP



CHAIN GUIDE WEAR STRIP

## CHAIN GUIDE WEAR STRIPS

### Material:

- Metal profile in anodized aluminium.
- Wear strip in UHMWPE.

### Characteristics:

- Very low friction coefficient.
- Moderate resistance to chemical agents.
- No liquid absorption.

### Supply:

- 3 or 6 meters.
- Metal profile and wear strip are supplied assembled.

### Application:

- As chain guide (carry and return).
- As side guide.



Polyethylene UHMW



Polyethylene antistatic UHMW



Anodized aluminium

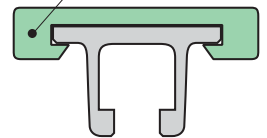


Accessories

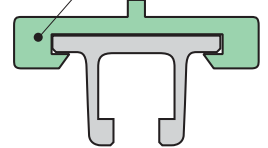
Code	Kg/m	L	Material
<b>19097L</b>	0.50	3 m	AL-a
<b>19097</b>		6 m	

These profiles are applicable to code 19097 - 19097L

cod. **19070 - 19071**

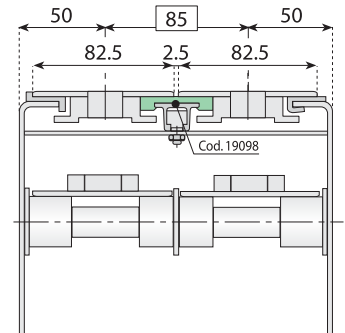


cod. **19072 - 19073**



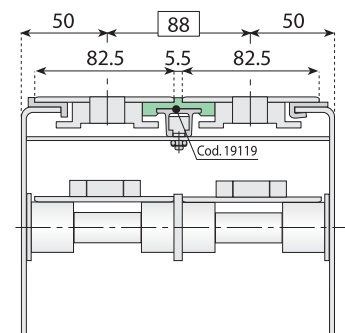
Code	Kg/m	L	Material	Color
<b>19098N</b>		3 m	PE	Black
<b>19098NL</b>		6 m	PE	Black
<b>19098V</b>		3 m	PE	Green
<b>19098VL</b>		6 m	PE	Green
<b>19098B</b>	0.68	3 m	PE	White
<b>19098BL</b>		6 m	PE	White
<b>19098AS</b>		3 m	PE-as	Black
<b>19098ASL</b>		6 m	PE-as	Black

**Notes:** the aluminium profile and wear strip are supplied assembled.



Code	Kg/m	L	Material	Color
<b>19119N</b>		3 m	PE	Black
<b>19119NL</b>		6 m	PE	Black
<b>19119V</b>		3 m	PE	Green
<b>19119VL</b>		6 m	PE	Green
<b>19119B</b>	0.70	3 m	PE	White
<b>19119BL</b>		6 m	PE	White
<b>19119AS</b>		3 m	PE-as	Black
<b>19119ASL</b>		6 m	PE-as	Black

**Notes:** the aluminium profile and wear strip are supplied assembled.



# Chain guide wear strip Accessories for aluminium profile

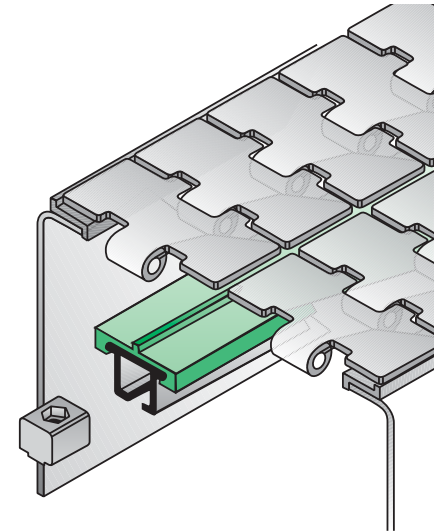
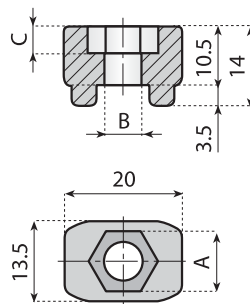
Preferred type, readily available (codes marked in red)

**PA  
FG**  
Reinforced  
polyamide



### FIXING CLAMP

**Application:** rapid wear strip assembly with screws M6 or M5.

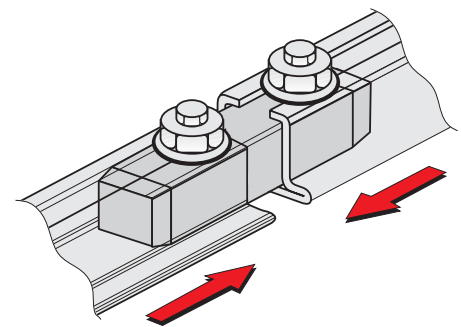
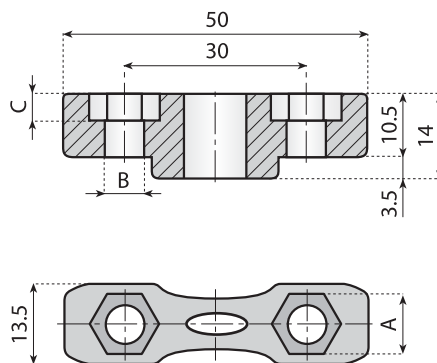


Code	A mm	B mm	C mm	for screws		Material	
<b>14084</b>	10	6.2	4.5	M6	n°100	PA-FG	Black
<b>14085</b>	8	5.2	4	M5			

**Notes:** screws are not included.



### CONNECTING ELEMENT



Code	A mm	B mm	C mm	for screws		Material	
<b>14082</b>	10	6.2	4.5	M6	n°100	PA-FG	Black
<b>14083</b>	8	5.2	4	M5			Black

**Notes:** screws are not included.

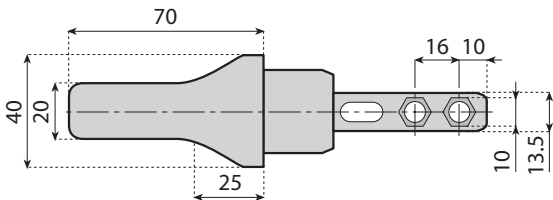
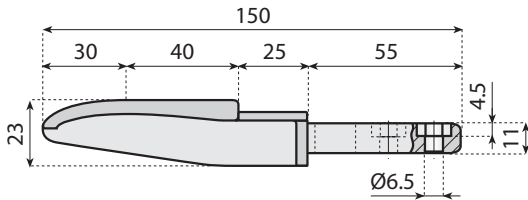
# Chain guide wear strip Accessories for aluminium profile

 Preferred type, readily available (codes marked in red)





## WEAR STRIP SHOE

**Application:** shoes are used to help chain guide between idler wheels and wear strip and must be fixed with M6 screws.

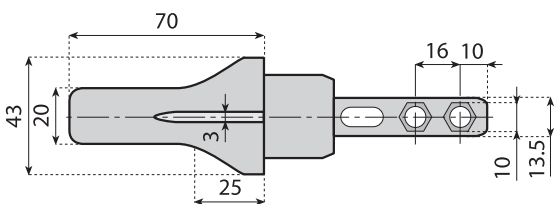
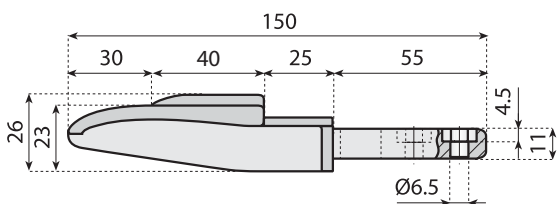
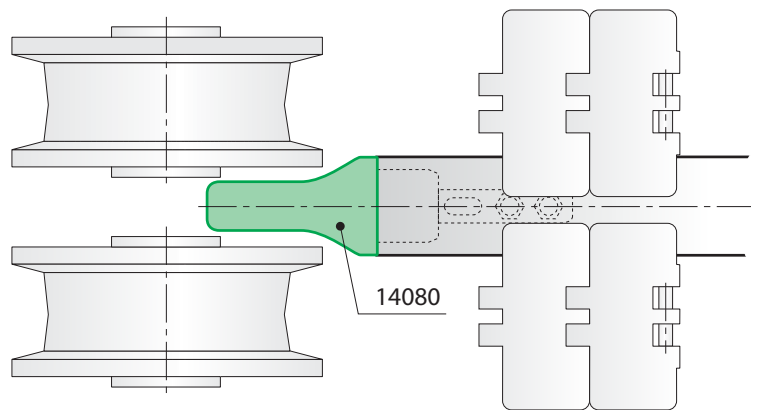


## WEAR STRIP SHOE

**Application:** with chain L 82,5 - K325.



Code	for screws		Material	
<b>14080</b>	M 6	n°50	PA	Black Green
14080V				

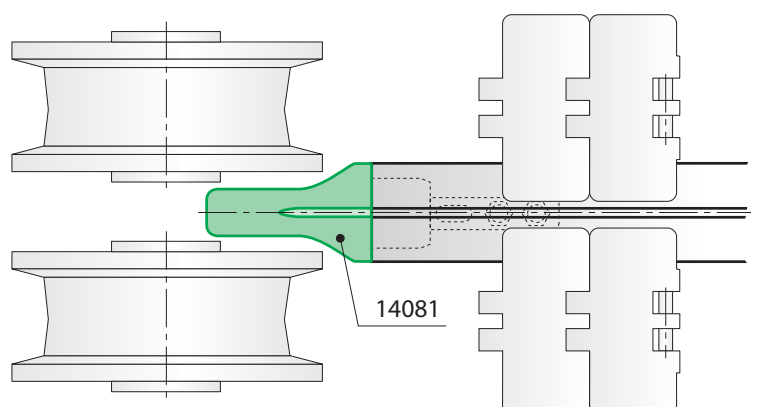
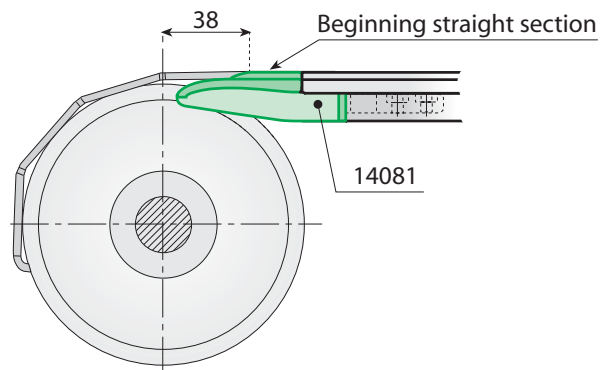
## APPLICATION EXAMPLE



## WEAR STRIP SHOE

**Application:** with chain L 82,5 - K325 distance 88 mm.

Code	for screws		Material	
<b>14081</b>	M 6	n°50	PA	Black Green
14081V				

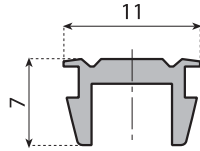


# Chain guide wear strip (accessories)

 Preferred type, readily available (codes marked in red)

**TPR**  
Thermoplastic rubber

**PA FG**  
Reinforced polyamide



## PROTECTION TAPE

**Application:** protection of steel profile against infiltration of liquids and dust.

**Code**  
**19049**

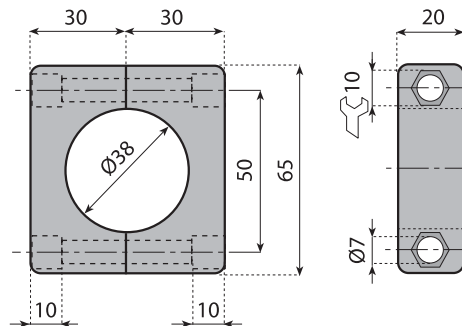
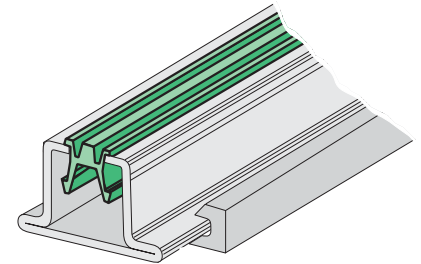


30 m



Material

TPR



**Code**  
**14347**



n°50

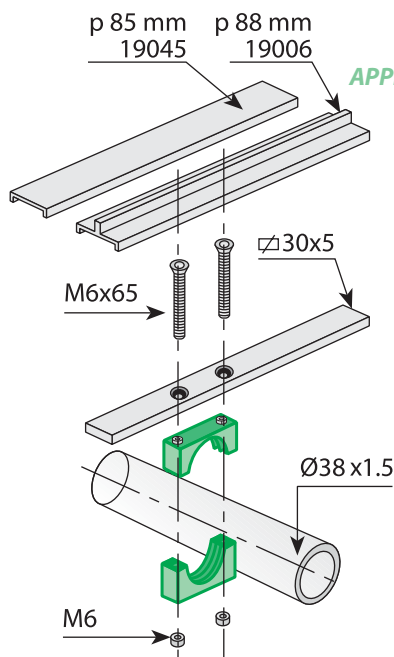


PA-FG

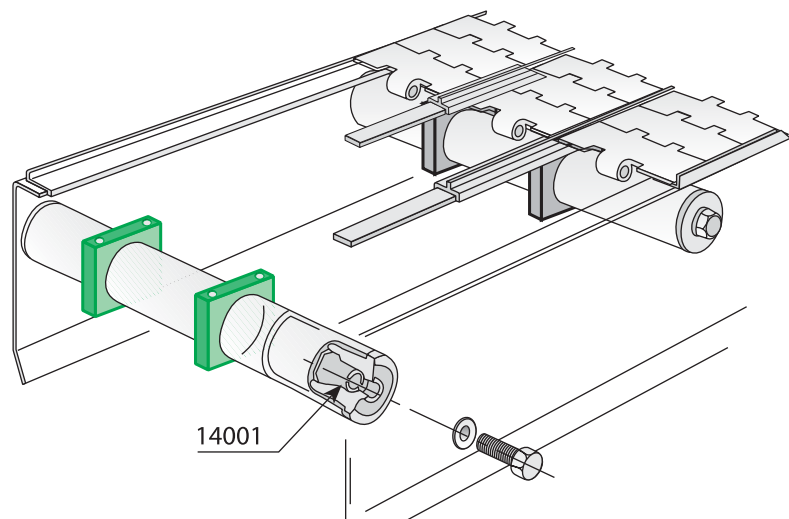
## WEAR STRIP CLAMP

**Application:** support of wear strip.

**Notes:** screws are not included.



## APPLICATION EXAMPLE



# Bar Caps

 Preferred type, readily available (codes marked in red)



Polyethylene  
UHMW



Nolu-S

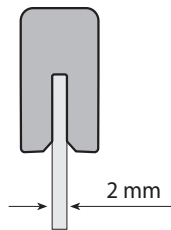
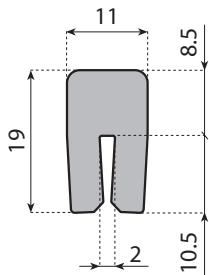
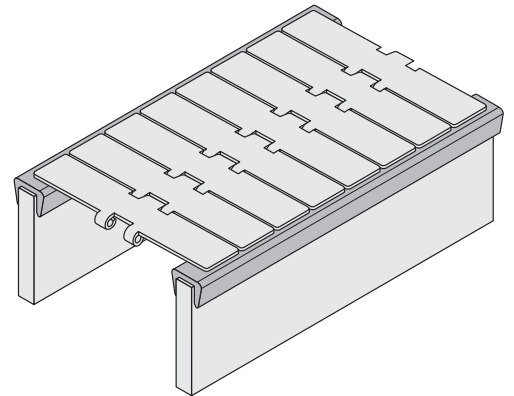
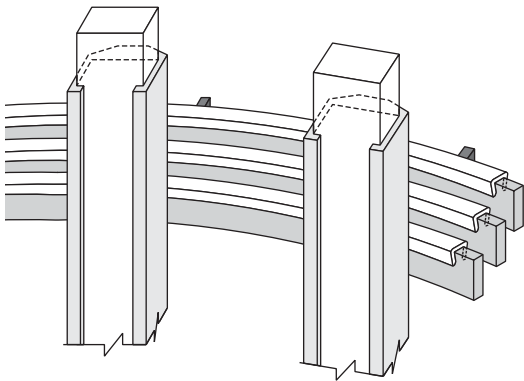


Nolu-SR

## BAR CAPS

### Material:

Extruded ultra high molecular weight polyethylene.  
Max. continuous service temperature in air 90° C.  
Water absorption coefficient = 0.



### Code

### Ref.



**19S00050-3M**  
**19S00050-6M**

VG-P116HD-3M  
VG-P116HD-6M

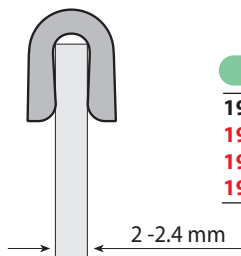
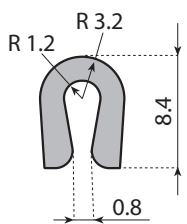
3 m  
6 m

-

30 m  
60 m

PE

White



### Code

### Ref.



**19S00036NS-30M**  
**19S00036NS-75M**  
**19S00036NSR-30M**  
**19S00036NSR-75M**

VG-P105R-30M  
VG-P105R-75M  
VG-P105RCL-30M  
VG-P105RCL-75M

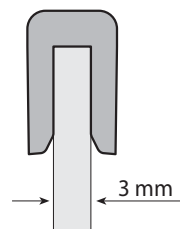
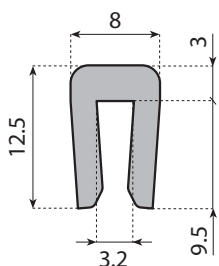
-

30 m  
75 m  
30 m  
75 m

30 m  
75 m  
30 m  
75 m

Nolu-S  
Nolu-S  
Nolu-SR  
Nolu-SR

Light Grey  
Light Grey  
Dark Grey  
Dark Grey



### Code

### Ref.



**19S00056-30M**  
**19S00056NS-30M**

VG-P18BC-30M  
VG-P18BC-NS-30M

-

30 m

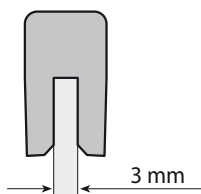
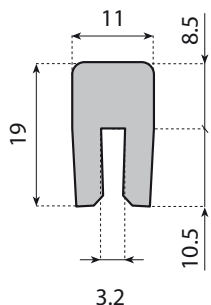
30 m

PE  
Nolu-S

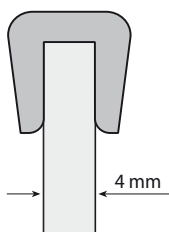
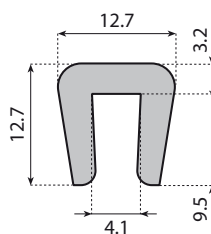
White  
Light Grey

# Bar Caps

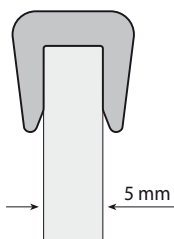
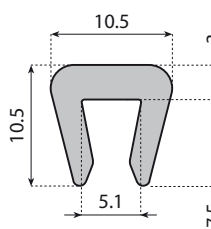
Preferred type, readily available (codes marked in red)



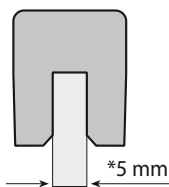
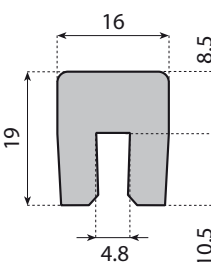
Code	Ref.				Material	
<b>19S00062-3M</b>	VG-P18HD-3M	3 m	-	30 m	PE	White
<b>19S00062-6M</b>	VG-P18HD-6M	6 m	-	60 m	PE	White



Code	Ref.				Material	
<b>19S00082-30M</b>	VG-PM4BC-30M	-	30 m	30 m	PE	White
<b>19S00082-75M</b>	VG-PM4BC-75M	-	75 m	75 m	PE	White

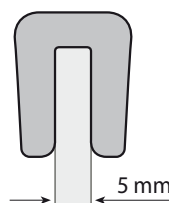
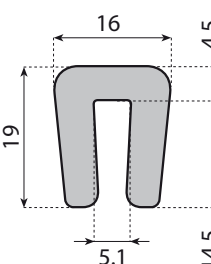


Code	Ref.				Material	
<b>19S00066-3M</b>	VG-P316BC-3M	3 m	-	30 m	PE	White
<b>19S00066-6M</b>	VG-P316BC-6M	6 m	-	60 m	PE	White
<b>19S00066-30M</b>	<b>VG-P316BC-30M</b>	-	30 m	30 m	PE	White



Code	Ref.				Material	
<b>19S00067-3M</b>	VG-P316HD-3M	3 m	-	30 m	PE	White
<b>19S00067-6M</b>	<b>VG-P316HD-6M</b>	6 m	-	60 m	PE	White

\* VERY TIGHT FIT



Code	Ref.				Material	
<b>19S00073-3M</b>	VG-P7GABC-3M	3 m	-	30 m	PE	White
<b>19S00073-6M</b>	VG-P7GABC-6M	6 m	-	60 m	PE	White
<b>19S00073-30M</b>	VG-P7GABC-30M	-	30 m	30 m	PE	White
<b>19S00073NS-3M</b>	VG-P7GABC-NS-3M	3 m	-	30 m	Nolu-S	Light Grey
<b>19S00073NS-6M</b>	VG-P7GABC-NS-6M	6 m	-	60 m	Nolu-S	Light Grey

# Bar Caps

 Preferred type, readily available (codes marked in red)



Polyethylene  
UHMW

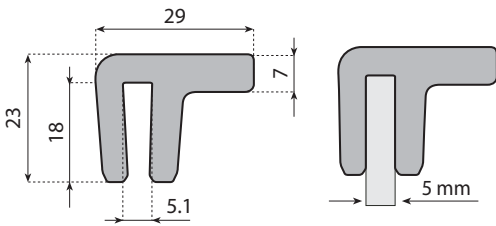
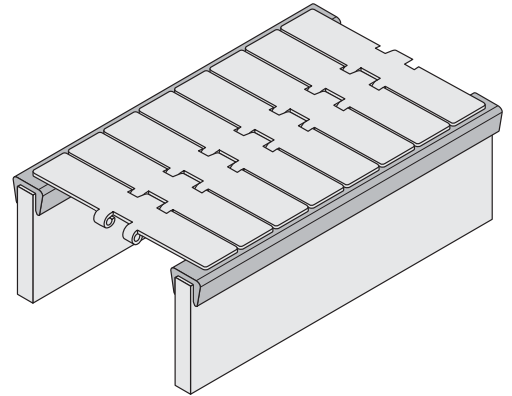
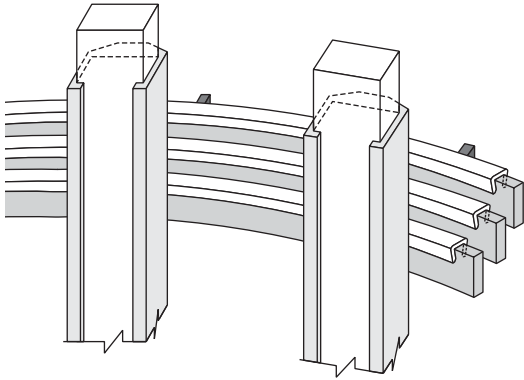


Nolu-S

## BAR CAPS

### Material:

Extruded ultra high molecular weight polyethylene.  
Max. continuous service temperature in air 90° C.  
Water absorption coefficient = 0.



### Code

**19S00076-3M**  
**19S00076-6M**  
**19S00076NS-6M**

### Ref.

VG-P7GAHD-3M  
VG-P7GAHD-6M  
VG-P7GAHD-NS-6M



3 m  
6 m  
6 m



-  
-  
-



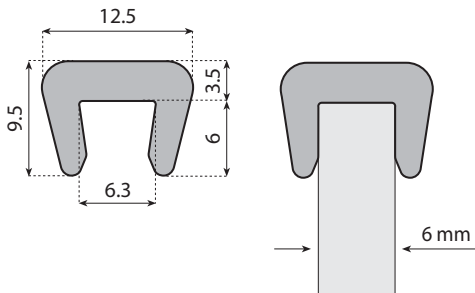
30 m  
60 m  
30 m

### Material

PE  
PE  
Nolu-S



White  
White  
Light Grey



### Code

**19S00055-30M**

### Ref.

VG-P14SBC-30M



-



30 m



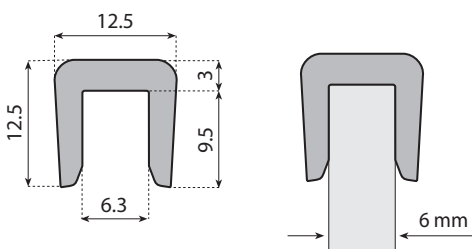
30 m

### Material

PE



White



### Code

**19S00052-30M**  
**19S00052-150M**

### Ref.

VG-P14BC-30M  
VG-P14BC-150M



-



30 m  
150 m



30 m  
150 m

### Material

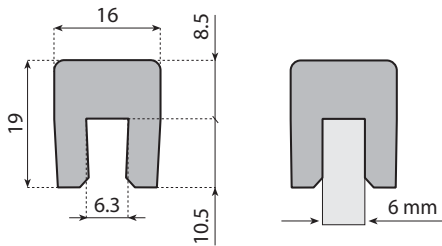
PE



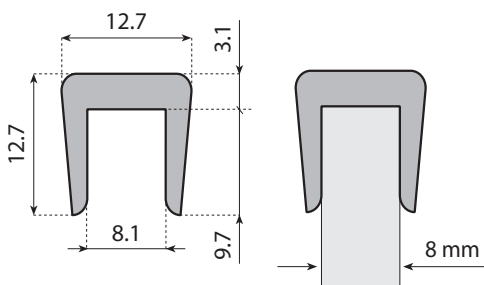
White

# Bar Caps

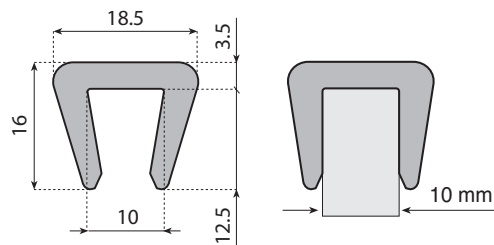
Preferred type, readily available (codes marked in red)



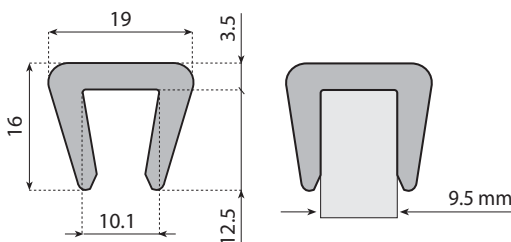
Code	Ref.				Material	
<b>19S00054-3M</b>	VG-P14HD-3M	3 m	-	30 m	PE	White
<b>19S00054-6M</b>	VG-P14HD-6M	6 m	-	60 m	PE	White



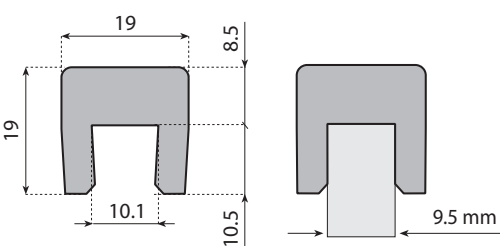
Code	Ref.				Material	
<b>19S00071-6M</b>	VG-P516BC-6M	6 m	-	60 m	PE	White
<b>19S00071-30M</b>	VG-P516BC-30M	-	30 m	30 m	PE	White
<b>19S00071-NS-30M</b>	VG-P516BC-NS-30M	-	30 m	30 m	Nolu-SR	Light Grey



Code	Ref.				Material	
<b>19S00081-75M</b>	VG-PM10BC-75M	-	75 m	75 m	PE	White



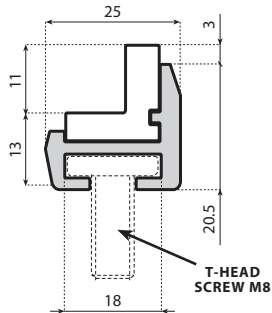
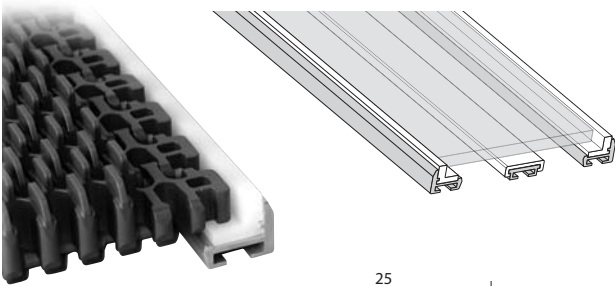
Code	Ref.				Material	
<b>19S00068-30M</b>	VG-P38BC-30M	-	30 m	30 m	PE	White
<b>19S00068-75M</b>	VG-P38BC-75M	-	75 m	75 m	PE	White
<b>19S00068NS-75M</b>	VG-P38BC-NS-75M	-	75 m	75 m	Nolu-S	Light Grey



Code	Ref.				Material	
<b>19S00069-3M</b>	VG-P38HD-3M	3 m	-	30 m	PE	White
<b>19S00069-6M</b>	VG-P38HD-6M	6 m	-	60 m	PE	White

# SBG/BWS -Support for chain and belts

 Preferred type, readily available (codes marked in red)



## SBG/BWS - SUPPORT FOR CHAIN AND BELTS

Aluminum and UHMW guide rail for use in guiding the sides of modular conveyor belts. Ultra-low friction bottom and side support of belt. Easily formed into curves with the Valu Guide Rail Bending Machine. Available in 3M lengths. Minimum radius 457 mm (inside edge). Replaceable UHMW strips.



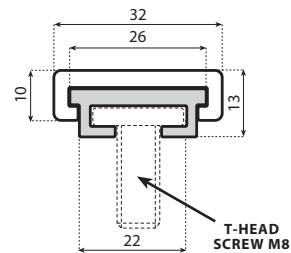
Polyethylene UHMW









Aluminum



[Consult pages 123 → 127 for bending machines](#)

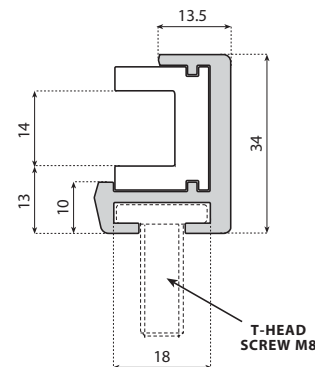
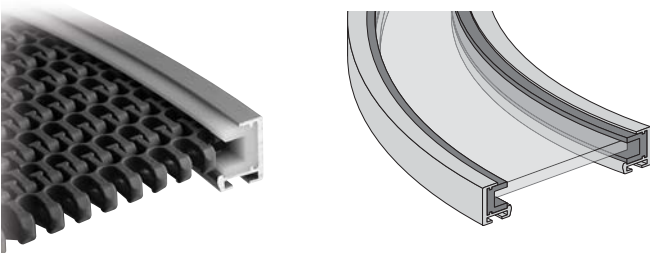





SBG Code	Ref.			Material	
<b>19S00087-3M</b>	VG-SBG-50-3M	3 m	30 m	PE	White
<b>Insert Replacement</b>					
<b>19S00080-3M</b>	VG-PSBG-50-3M	3 m	30 m	PE	White

BWS Code	Ref.			Material	
<b>19S00108-3M</b>	VG-BWS-125-3M	3 m	30 m	PE	White
<b>Insert Replacement</b>					
<b>19S00083-3M</b>	VG-PBWS-125-3M	3 m	30 m	PE	White

## MBG - SUPPORT FOR CHAIN AND BELTS

Aluminum and Nolu-S guide rail for use in guiding the sides of selected plastic modular conveyor belts through turns. Ultra-low friction. Top and bottom capture of belt. Easily formed into curves with the Valu Guide Rail Bending Machine. Available in 3M lengths. Minimum radius 457 mm (inside edge). Replaceable Nolu-S strips.



MBG Code	Ref.			Material	
<b>19S00035-3M</b>	VG-MBG-50-NS-3M	3 m	30 m	Nolu-S	Light grey
<b>Insert Replacement</b>					
<b>19S00077-3M</b>	VG-PMBG-50-NS-3M	3 m	30 m	Nolu-S	Light grey



Stainless steel



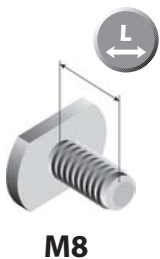
Nolu-S





Aluminum

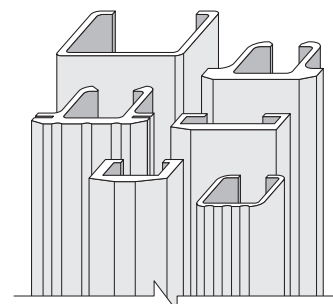


[Consult pages 123 → 127 for bending machines](#)



### T-HEAD SCREW M8

Code	Ref.			Material
<b>13S00255</b>	VG-1568M-01	16 mm	n°10	SS
<b>13S00256</b>	VG-1568M-02	19 mm	n°10	
<b>13S00257</b>	VG-1568M-03	25.5 mm	n°10	
<b>13S00258</b>	VG-1568M-04	32 mm	n°10	



# MBG - Support for chain and belts



AISI 304  
Stainless steel



Polyethylene

Preferred type, readily available (codes marked in red)



## CHAIN GUIDE WEAR STRIP

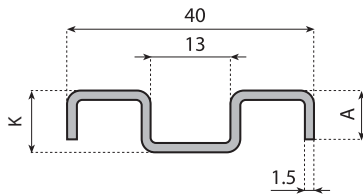
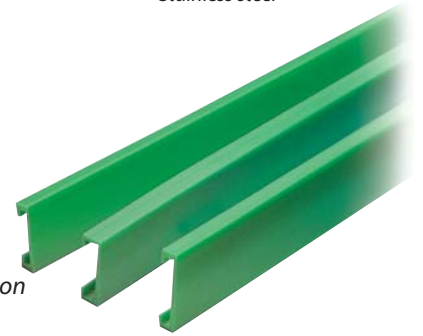
### Material:

- Metal profile in stainless steel AISI 304.
- Wear strip in UHMWPE.

### Supply:

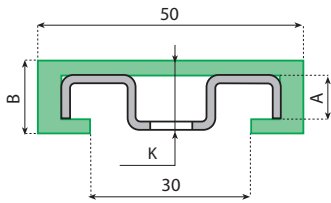
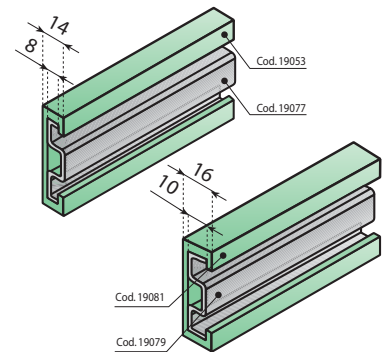
- 3 or 6 meters.
- Steel profile and wear strip are supplied assembled.

**Application:** the profile can be used on several conveyors as a side guide or as a chain support in combination with standard UHMWPE guides or wear strip.

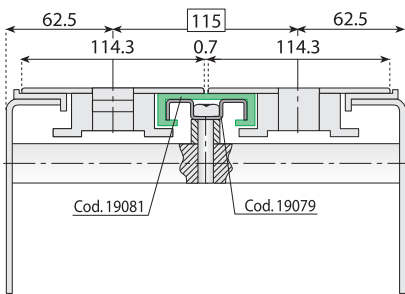


M-PROFILE

Code	A	Kg/m	K	L	Material	
<b>19077</b>	6	0.74	10	3 m	SS 304	30 m
<b>19077L</b>	6	0.74	10	6 m		
<b>190265</b>	8	0.78	8	3 m		
<b>190265L</b>	8	0.78	8	6 m		
<b>19079</b>	10	0.82	10	3 m		
<b>19079L</b>	10	0.82	10	6 m		



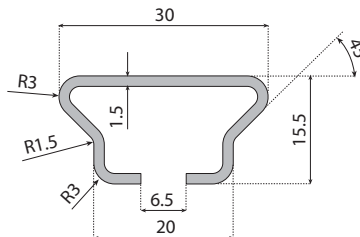
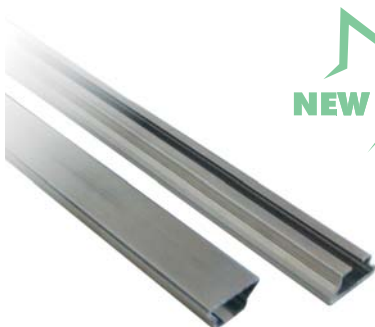
M-PROFILE WEAR STRIP



Code	Kg/m	K	L	A	B		Material	
<b>190240N</b>	0.97	12.75	3 m	6.5	12	30 m	PE	Black
<b>190240NL</b>	0.97	12.75	6 m	6.5	12			Black
<b>190240V</b>	0.97	12.75	3 m	6.5	12			Green
<b>190240VL</b>	0.97	12.75	6 m	6.5	12			Green
<b>190241N</b>	1.03	10.75	3 m	8.5	14			Black
<b>190241NL</b>	1.03	10.75	6 m	8.5	14			Black
<b>190241V</b>	1.03	10.75	3 m	8.5	14			Green
<b>190241VL</b>	1.03	10.75	6 m	8.5	14			Green
<b>190242N</b>	1.09	12.75	3 m	10.5	16			Black
<b>190242NL</b>	1.09	12.75	6 m	10.5	16			Black
<b>190242V</b>	1.09	12.75	3 m	10.5	16			Green
<b>190242VL</b>	1.09	12.75	6 m	10.5	16			Green

Notes: screws are not included.

## CONSTRUCTION PROFILE FOR WEARSTRIPS



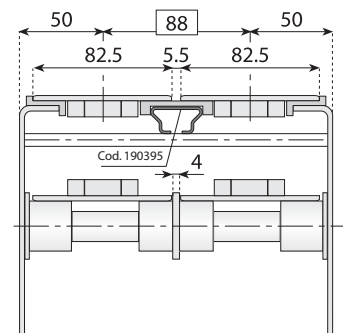
Code	Kg/m	L		Material
<b>190395</b>	0.76	3m	30m	SS 430
<b>190396</b>		6m		



Accessories



AISI 430  
Stainless steel



# Chain mounting block

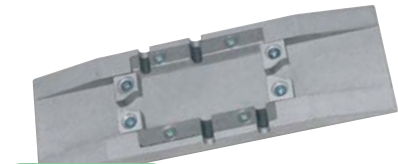
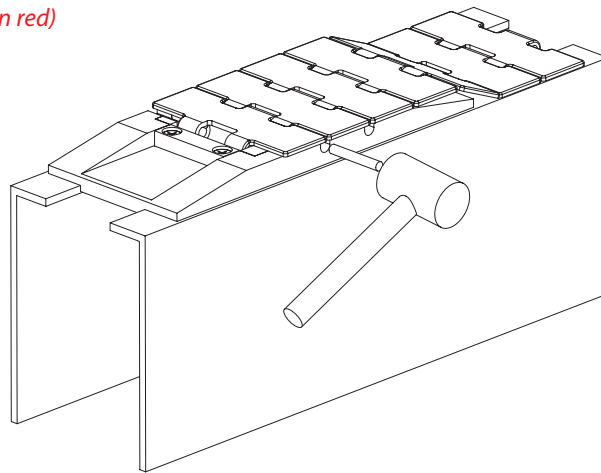
 Preferred type, readily available (codes marked in red)



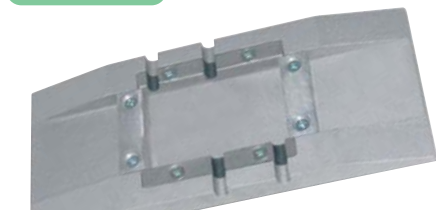
Aluminum



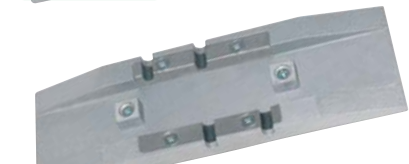
Hardened Steel



Code 19990



Code 19991



Code 19992

## CHAIN MOUNTING BLOCK

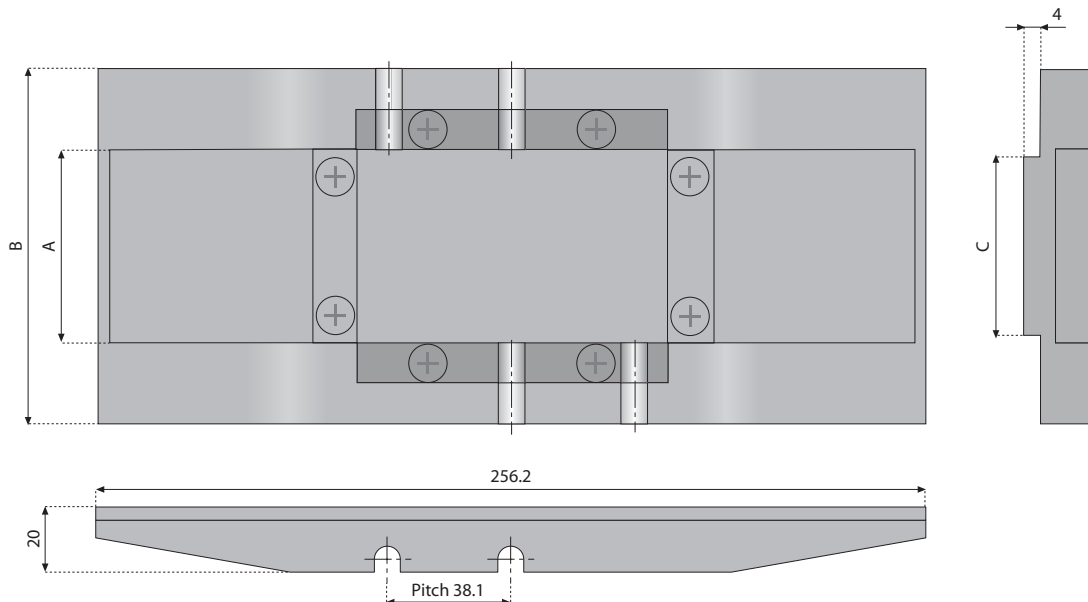
### Technical features:

- The chain mounting block is a tool that makes chain assembly and disassembly easier. It is made for steel and plastic chains with single hinge and with heavy duty hinge. The block fits between the wearstrips of the conveyor.

### Material:

**Base:** Aluminum

**Adapter parts:** hardened steel



Code	A	B	C	FOR CHAIN TYPE
<b>19990</b>	40	80	40	Steel single hinge chains, straight running and side flexing magnetic and plastic chains straight running, 820 series.
<b>19991</b>	60	110	55	Steel chains with Heavy Duty hinge, 8157 (VG) and 8857M.
<b>19992</b>	40	80	40	Plastic chains straight running 828 series and sideflexing 879 and 880 series magnetic.

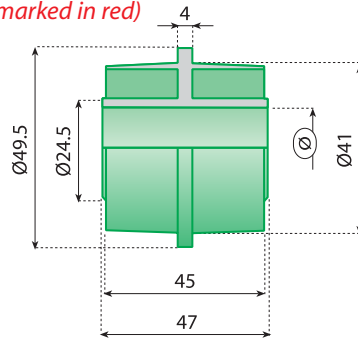
Note: not suitable for TAB or bevel chains



**Chain return components**

# Chain return components

 Preferred type, readily available (codes marked in red)



External diameter

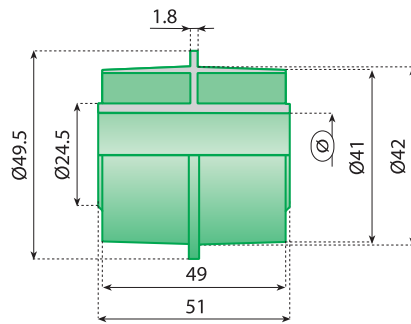
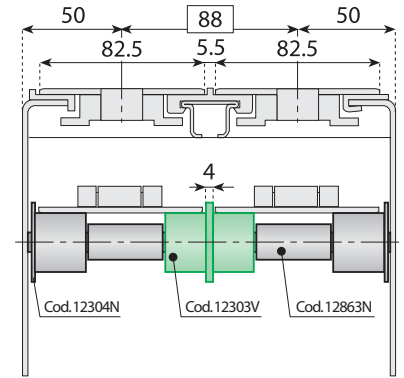


Polyethylene High Density Self-lubricating

## ROLLER

### Code

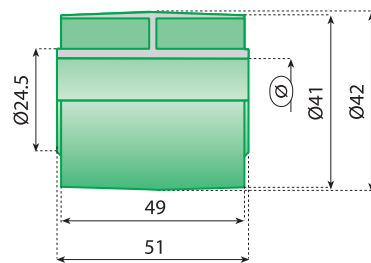
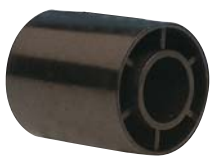
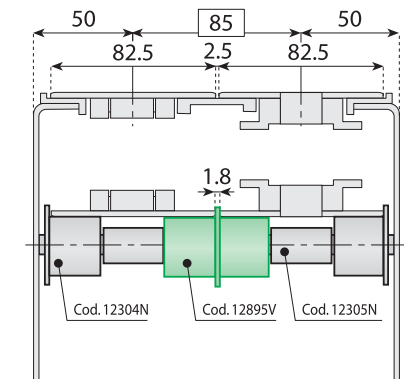
Code	For rod Ø (mm)		Material	
12303V	12		Green	
12303N	12		Black	
12307V	16		Green	
12307N	16	n°100	Black	PE(HD)
12815V	18		Green	
12815N	18		Black	
12820V	20		Green	
12820N	20		Black	



## ROLLER

### Code

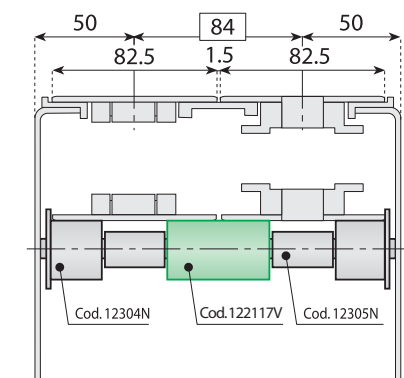
Code	For rod Ø (mm)		Material	
12895V	12		Green	
12895N	12		Black	
12896V	16		Green	
12896N	16	n°100	Black	PE(HD)
12897V	18		Green	
12897N	18		Black	
12862V	20		Green	
12862N	20		Black	



## ROLLER

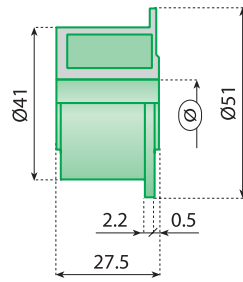
### Code

Code	For rod Ø (mm)		Material	
122117V	12		Green	
122117N	12		Black	
122118V	16		Green	
122118N	16	n°100	Black	PE(HD)
122119V	18		Green	
122119N	18		Black	
122120V	20		Green	
122120N	20		Black	



# Chain return components

Preferred type, readily available (codes marked in red)



## ROLLER

Code	For rod Ø (mm)		Material	
<b>12304V</b>	12	n°100	PE(HD)	Green
<b>12304N</b>	12			Black
<b>12827V</b>	16			Green
<b>12827N</b>	16			Black
<b>12821V</b>	18			Green
<b>12821N</b>	18			Black
<b>12822V</b>	20			Green
<b>12822N</b>	20			Black



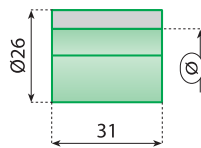
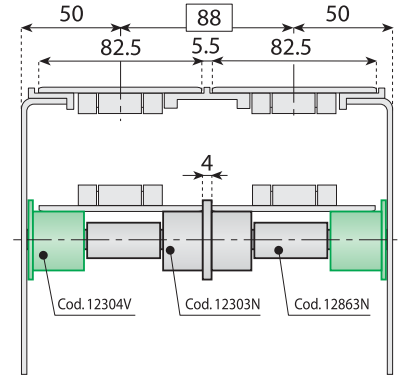
External diameter



Polyethylene High Density Self-lubricating

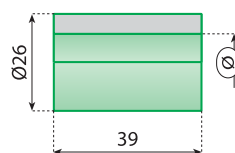
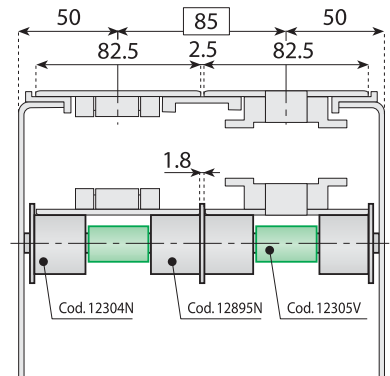


Polyamide Self-lubricating



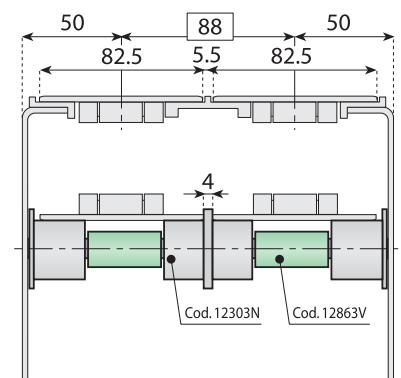
## SPACER

Code	For rod Ø (mm)		Material	
<b>12305V</b>	12	n°100	PA	Green
<b>12305N</b>	12			Black
<b>12828V</b>	16			Green
<b>12828N</b>	16			Black
<b>12823V</b>	18			Green
<b>12823N</b>	18			Black
<b>12824V</b>	20			Green
<b>12824N</b>	20			Black



## SPACER

Code	For rod Ø (mm)		Material	
<b>12863V</b>	12	n°100	PA	Green
<b>12863N</b>	12			Black
<b>12864V</b>	16			Green
<b>12864N</b>	16			Black
<b>12860V</b>	18			Green
<b>12860N</b>	18			Black
<b>12861V</b>	20			Green
<b>12861N</b>	20			Black



# Chain return components

 Preferred type, readily available (codes marked in red)



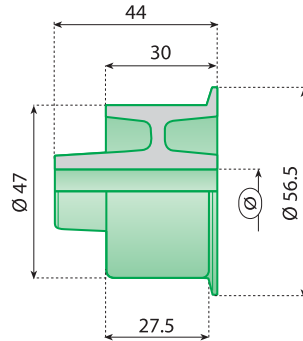
External diameter



External diameter



Polyethylene  
High Density  
Self-lubricating



ROLLER

Code  
**12850**



12



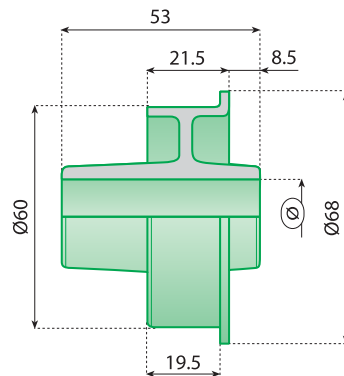
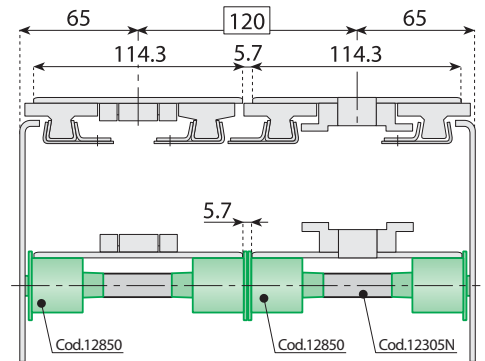
n°100



PE(HD)



Green



ROLLER

Code

122110  
122109  
122108  
**12855**



15  
16  
18  
20



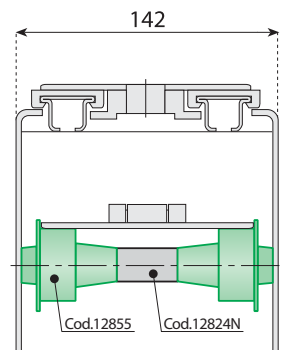
n°100



PE(HD)



Green



# Chain return components

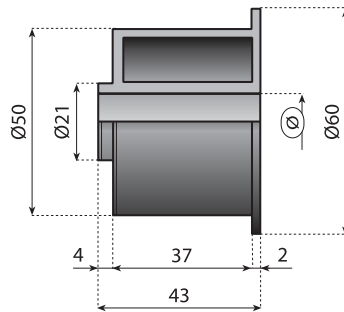
Preferred type, readily available (codes marked in red)



External diameter



Polyethylene High Density Self-lubricating



ROLLER

Code  
**12898**



15



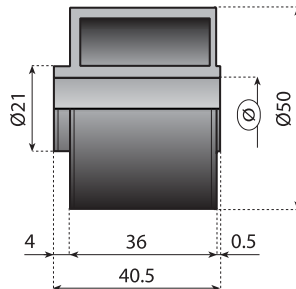
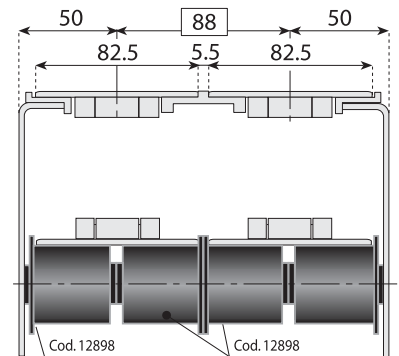
n°100



PE(HD)



Black



ROLLER

Code  
**12899**



15



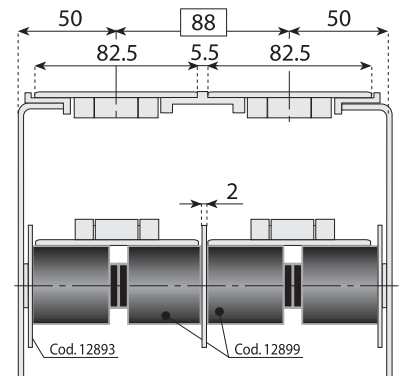
n°100



PE(HD)



Black



# Chain return components

 Preferred type, readily available (codes marked in red)

## WATERTIGHT ROLLER

### Characteristics:

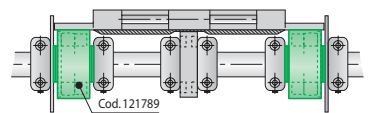
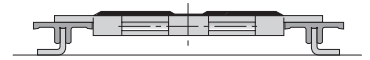
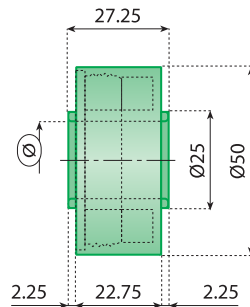
- Very low friction coefficient.
- No liquid absorption.
- Excellent wear and chemical resistance.
- Completely closed structure, easier to clean and disinfect.
- Watertight.



Polyethylene High Density  
Self-lubricating

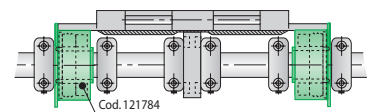
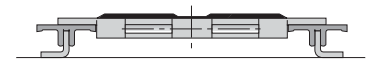
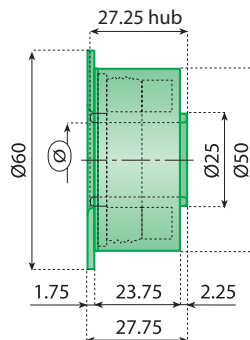


External diameter



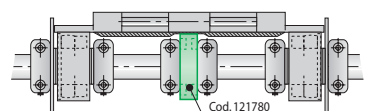
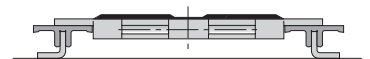
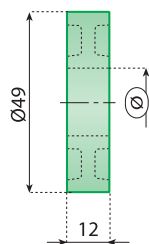
## WATERTIGHT ROLLER

Code	For rod Ø (mm)		Material	
121959	15			
121960	16			
121789	18	n°100	PE(HD)	Green
121787	20			



## WATERTIGHT ROLLER WITH SIDE BORDER

Code	For rod Ø (mm)		Material	
121959F	15			
121960F	16			
121784	18	n°100	PE(HD)	Green
121785	20			



## ROLLER

Code	For rod Ø (mm)		Material	
121780	15			
121781	16			
121782	18	n°100	PE(HD)	Green
121783	20			

# Chain return components

Preferred type, readily available (codes marked in red)

## WATERTIGHT ROLLER WITH RUBBER

### Characteristics:

- Reduced noise level with rubber
- Very low friction coefficient.
- No liquid absorption.
- Excellent wear and chemical resistance.
- Completely closed structure, easier to clean and disinfect.
- Watertight.



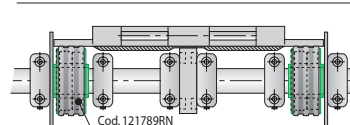
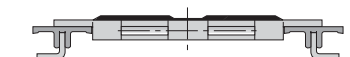
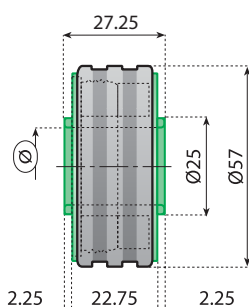
Polyethylene High Density  
Self-lubricating



Thermoplastic rubber

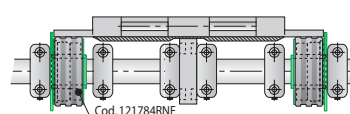
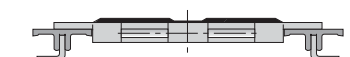
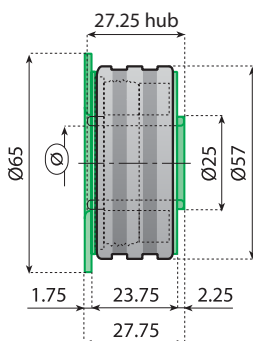


External diameter



### WATERTIGHT ROLLER WITH RUBBER

Code	For rod Ø (mm)		Material	
<b>121959RN</b>	15	n°100	PE(HD)	Green Roller
<b>121960RN</b>	16		TPR	Grey Rubber
<b>121789RN</b>	18			
<b>121787RN</b>	20			



### WATERTIGHT ROLLER WITH SIDE BORDER AND RUBBER

Code	For rod Ø (mm)		Material	
<b>121959RNF</b>	15	n°100	PE(HD)	Green Roller
<b>121960RNF</b>	16		TPR	Grey Rubber
<b>121784RNF</b>	18			
<b>121785RNF</b>	20			

# Chain return components

 Preferred type, readily available (codes marked in red)



Polyethylene High Density  
Self-lubricating

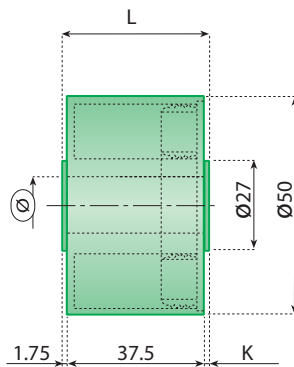


External diameter





## WATERTIGHT ROLLER

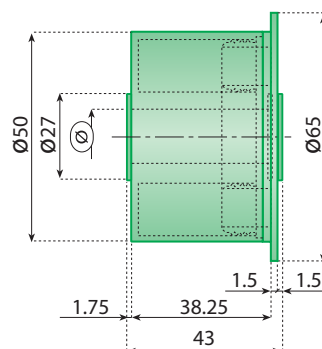
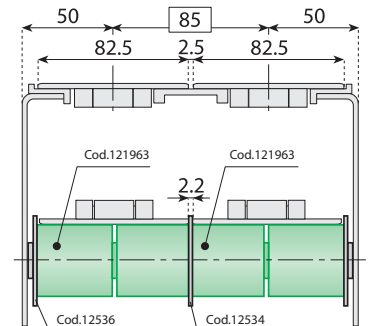
### Characteristics:

- Very low friction coefficient.
- No liquid absorption.
- Excellent wear and chemical resistance.
- Completely closed structure, easier to clean and disinfect.
- Watertight.







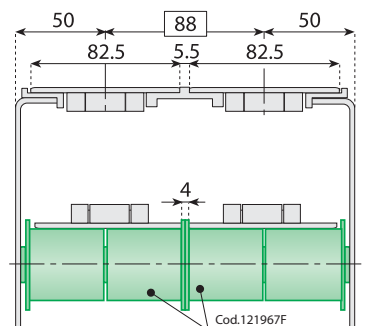
## WATERTIGHT ROLLER

Code	For rod Ø (mm)	L	K		Material	
<b>121963</b>	15	41	1.75		n°100 PE(HD)	
<b>121967</b>	15	43	3.75			
<b>121964</b>	16	41	1.75			
<b>121968</b>	16	43	3.75			
<b>121965</b>	18	41	1.75			
<b>121969</b>	18	43	3.75			
<b>121966</b>	20	41	1.75			
<b>121970</b>	20	43	3.75			



## WATERTIGHT ROLLER WITH SIDE BORDER

Code	For rod Ø (mm)		Material	
<b>121967F</b>	15		n°100 PE(HD)	
<b>121968F</b>	16			
<b>121969F</b>	18			
<b>121970F</b>	20			



# Chain return components

Preferred type, readily available (codes marked in red)

## WATERTIGHT ROLLER WITH RUBBER

### Characteristics:

- Reduced noise level with rubber
- Very low friction coefficient.
- No liquid absorption.
- Excellent wear and chemical resistance.
- Completely closed structure, easier to clean and disinfect.
- Watertight.



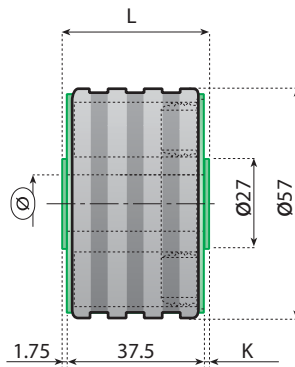
Polyethylene High Density  
Self-lubricating



Thermoplastic rubber

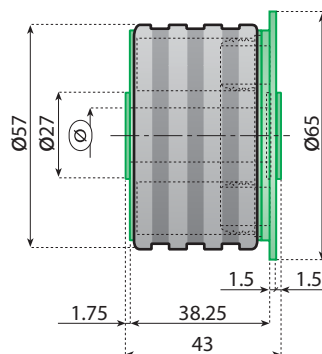
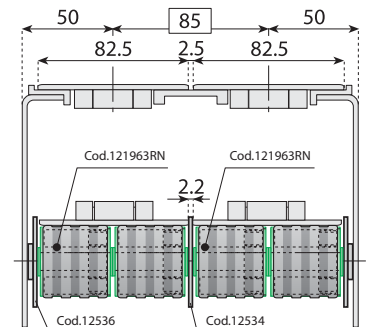


External diameter



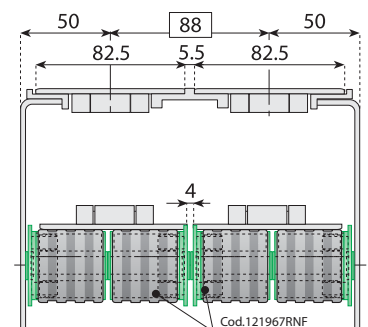
### WATERTIGHT ROLLER WITH RUBBER

Code	For rod Ø (mm)	L	K <sub>i</sub>		Material	
121963RN	15	41	1.75	n°100	PE(HD) TPR	Green Roller Grey Rubber
121967RN	15	43	3.75			
121964RN	16	41	1.75			
121968RN	16	43	3.75			
121965RN	18	41	1.75			
121969RN	18	43	3.75			
121966RN	20	41	1.75			
121970RN	20	43	3.75			



### WATERTIGHT ROLLER WITH SIDE BORDER AND RUBBER

Code	For rod Ø (mm)		Material	
121967RNF	15	n°100	PE(HD) TPR	Green Roller Grey Rubber
121968RNF	16			
121969RNF	18			
121970RNF	20			



# Chain return components

 Preferred type, readily available (codes marked in red)

## WATERTIGHT ROLLER

### Characteristics:

- Very low friction coefficient.
- No liquid absorption.
- Excellent wear and chemical resistance.
- Completely closed structure, easier to clean and disinfect.
- Watertight.



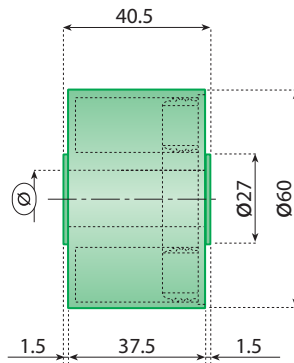
Polyethylene High Density  
Self-lubricating



Thermoplastic rubber



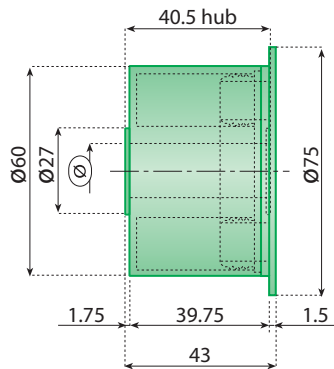
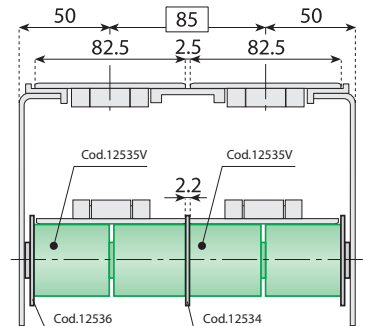
External diameter



## WATERTIGHT ROLLER

### Code

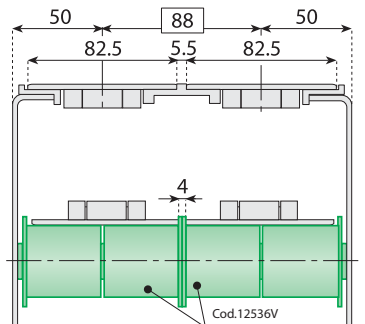
Code	For rod Ø (mm)	Material
122113N	15	Black
122113V	15	Green
122112N	16	Black
122112V	16	Green
122111N	18	n°100 PE(HD) Black
122111V	18	Green
12535N	20	Black
12535V	20	Green



## WATERTIGHT ROLLER WITH SIDE BORDER

### Code

Code	For rod Ø (mm)	Material
122116N	15	Black
122116V	15	Green
122115N	16	Black
122115V	16	Green
122114N	18	n°100 PE(HD) Black
122114V	18	Green
12536N	20	Black
12536V	20	Green



# Chain return components

Preferred type, readily available (codes marked in red)

## WATERTIGHT ROLLER WITH RUBBER

### Characteristics:

- Reduced noise level with rubber
- Very low friction coefficient.
- No liquid absorption.
- Excellent wear and chemical resistance.
- Completely closed structure, easier to clean and disinfect.
- Watertight.



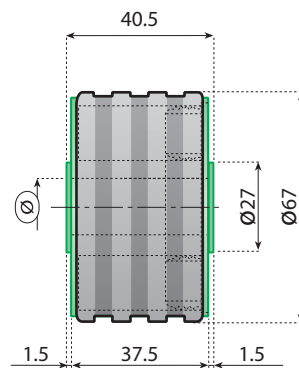
Polyethylene High Density  
Self-lubricating



Thermoplastic rubber

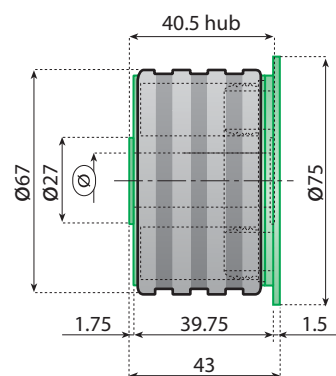
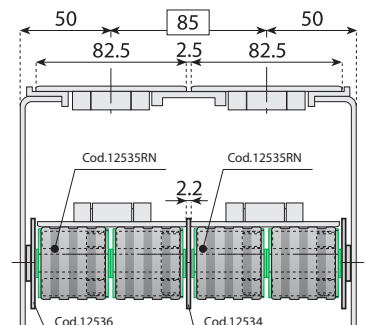


External diameter



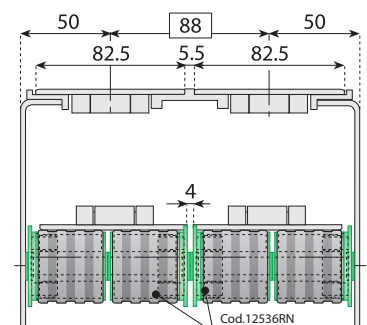
## WATERTIGHT ROLLER WITH RUBBER

Code	For rod Ø (mm)	n°	Material	Color
<b>122113RN</b>	15		PE(HD)	Green Roller
<b>122112RN</b>	16	n°100	TPR	Grey Rubber
<b>122111RN</b>	18			
<b>12535RN</b>	20			



## WATERTIGHT ROLLER WITH SIDE BORDER AND RUBBER

Code	For rod Ø (mm)	n°	Material	Color
<b>122116RN</b>	15		PE(HD)	Green Roller
<b>122115RN</b>	16	n°100	TPR	Grey Rubber
<b>122114RN</b>	18			
<b>12536RN</b>	20			



# Chain return components

 Preferred type, readily available (codes marked in red)

## WATERTIGHT ROLLER

### Characteristics:

- Very low friction coefficient
- No liquid absorption
- Excellent wear and chemical resistance
- Completely closed structure, easier to clean and disinfect
- Watertight



Polyethylene  
High Density  
Self-lubricating



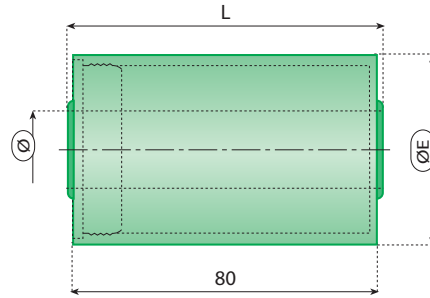
External diameter



External diameter

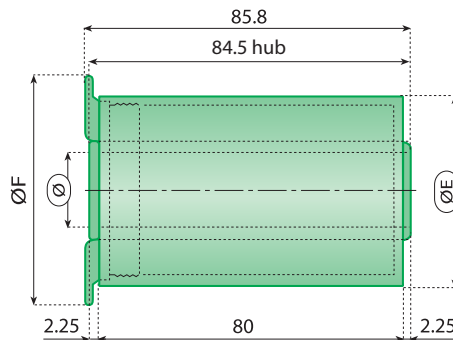
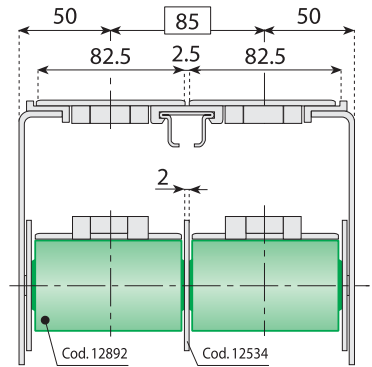


External diameter



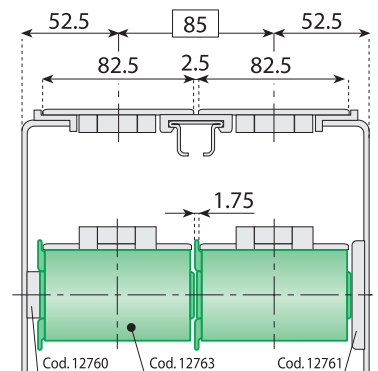
## WATERTIGHT ROLLER

Code	For rod Ø (mm)	L	ØE		Material	
<b>121950</b>	16	82.5	40	n°50	PE(HD)	Green
<b>121953</b>		84.5	40			
<b>121951</b>		82.5	50			
<b>121954</b>		84.5	50			
<b>121952</b>		82.5	60			
<b>121955</b>		84.5	60			
<b>121551</b>	18	82.5	40	n°50	PE(HD)	Green
<b>121547</b>		84.5	40			
<b>12831</b>		82.5	50			
<b>121595</b>		84.5	50			
<b>12835</b>		82.5	60			
<b>121548</b>		84.5	60			
<b>121552</b>	20	82.5	40	n°50	PE(HD)	Green
<b>121549</b>		84.5	40			
<b>12892</b>		82.5	50			
<b>12762</b>		84.5	50			
<b>12836</b>		82.5	60			
<b>121550</b>		84.5	60			



## WATERTIGHT ROLLER WITH SIDE BORDER

Code	For rod Ø (mm)	ØE	ØF		Material	
<b>121956</b>	16	40	55	n°50	PE(HD)	Green
<b>121957</b>		50	65			
<b>121958</b>		60	75			
<b>121553</b>	18	40	55	n°50	PE(HD)	Green
<b>12833</b>		50	65			
<b>12837</b>		60	75			
<b>121554</b>	20	40	55	n°50	PE(HD)	Green
<b>12763</b>		50	65			
<b>12838</b>		60	75			



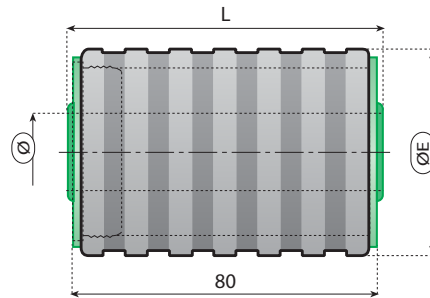
# Chain return components

Preferred type, readily available (codes marked in red)

## WATERTIGHT ROLLER WITH RUBBER

### Characteristics:

- Reduced noise level
- Very low friction coefficient
- No liquid absorption
- Excellent wear and chemical resistance
- Completely closed structure, easier to clean and disinfect
- Watertight



Thermoplastic rubber



External diameter



Polyethylene High Density Self-lubricating



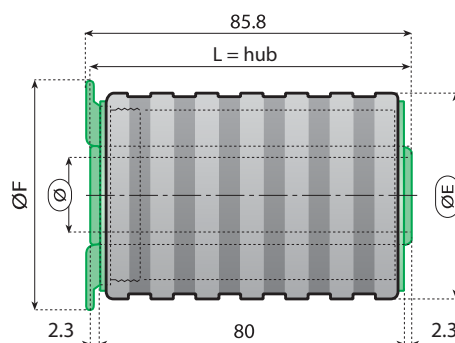
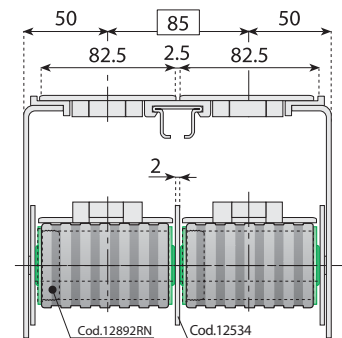
External diameter



External diameter

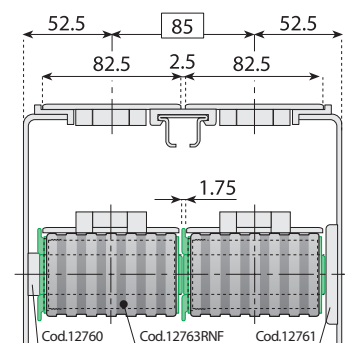
## WATERTIGHT ROLLER WITH RUBBER

Code	For rod Ø (mm)	L	ØE		Material	
121950RN		82.5	47			
121953RN		84.5	47			
121951RN	16	82.5	57	n°50	PE(HD)	Green Roller
121954RN		84.5	57		TPR	Grey Rubber
121952RN		82.5	67			
121955RN		84.5	67			
121551RN		82.5	47			
121547RN		84.5	47			
12831RN	18	82.5	57	n°50	PE(HD)	Green Roller
121595RN		84.5	57		TPR	Grey Rubber
12835RN		82.5	67			
121548RN		84.5	67			
121552RN		82.5	47			
121549RN		84.5	47			
12892RN	20	82.5	57	n°50	PE(HD)	Green Roller
12762RN		84.5	57		TPR	Grey Rubber
12836RN		82.5	67			
121550RN		84.5	67			



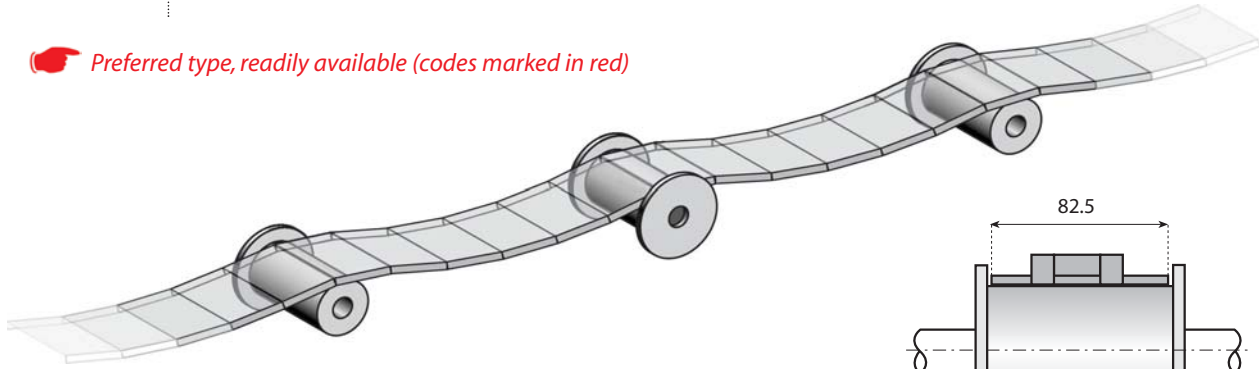
## WATERTIGHT ROLLER WITH SIDE BORDER AND RUBBER

Code	For rod Ø (mm)	ØE	ØF		Material	
121956RNF		47	55			
121957RNF	16	57	65	n°50	PE(HD)	Green Roller
121958RNF		67	75		TPR	Grey Rubber
121553RNF		47	55			
12833RNF	18	57	65	n°50	PE(HD)	Green Roller
12837RNF		67	75		TPR	Grey Rubber
121554RNF		47	55			
12763RNF	20	57	65	n°50	PE(HD)	Green Roller
12838RNF		67	75		TPR	Grey Rubber



# Chain return components

 Preferred type, readily available (codes marked in red)



Polyethylene UHMW



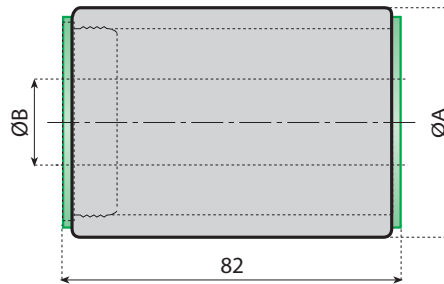
Polyurethane





External diameter

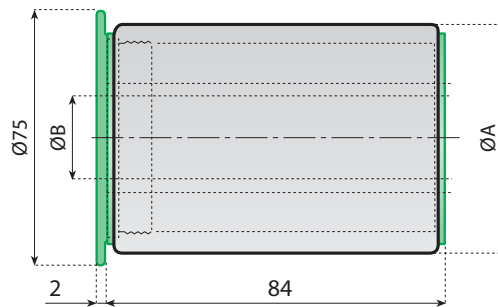


External diameter





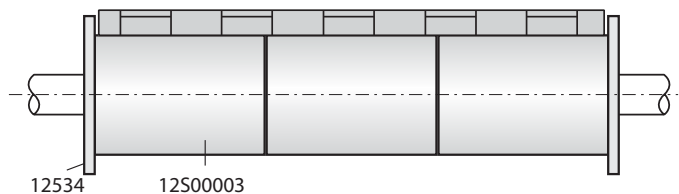
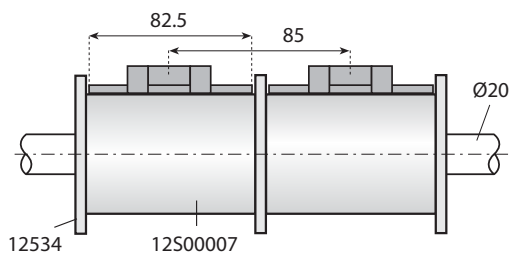
## RETURN ROLLER WITH URETHANE SURFACE

Code	Ref.	ØA	ØB		Material	
<b>12S00001</b>	VG-R3U-185-50-G	56	18.5	n°10	PE	Green
<b>12S00003</b>	VG-R3U-205-50-G	56	20.5			
<b>12S00002</b>	VG-R3U-185-60-G	66	18.5			
<b>12S00004</b>	VG-R3U-205-60-G	66	20.5			



## RETURN ROLLER WITH FLANGE AND URETHANE SURFACE

Code	Ref.	ØA	ØB		Material	
<b>12S00005</b>	VG-RF3U-185-50-G	56	18.5	n°10	PE	Green
<b>12S00007</b>	VG-RF3U-205-50-G	56	20.5			
<b>12S00006</b>	VG-RF3U-185-60-G	66	18.5			
<b>12S00008</b>	VG-RF3U-205-60-G	66	20.5			



# Chain return components

Preferred type, readily available (codes marked in red)



## LOW NOISE ROLLER

### Characteristics:

- Reduced noise level.
- Very low friction coefficient.
- No liquid absorption.
- Excellent wear and chemical resistance.
- Completely closed structure, easier to clean and disinfect.
- Watertight.



External diameter

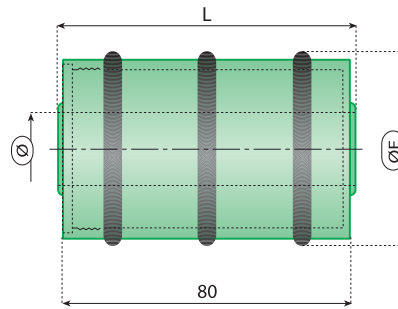


External diameter

Polyethylene  
High Density  
Self-lubricating

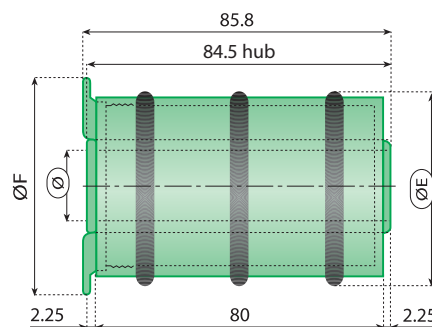
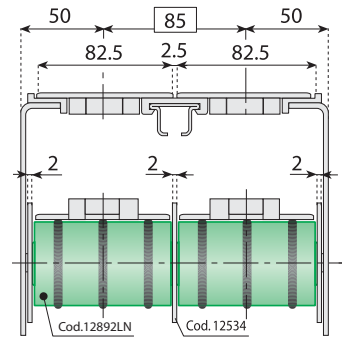


External diameter



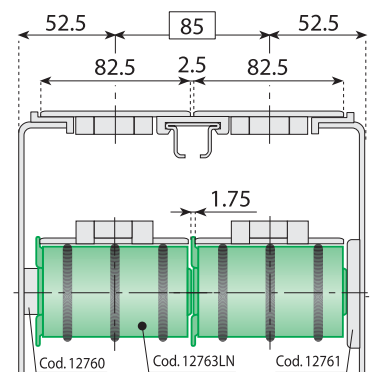
## LOW NOISE ROLLER

Code	For rod Ø (mm)	L	ØE		Material	
121950LN		82.5	44			
121953LN		84.5	44			
121951LN	16	82.5	54	n°50	PE(HD) EPDM	Green Roller Black O-Ring
121954LN		84.5	54			
121952LN		82.5	64			
121955LN		84.5	64			
121551LN		82.5	44			
121547LN		84.5	44			
12831LN	18	82.5	54	n°50	PE(HD) EPDM	Green Roller Black O-Ring
121595LN		84.5	54			
12835LN		82.5	64			
121548LN		84.5	64			
121552LN		82.5	44			
121549LN		84.5	44			
12892LN	20	82.5	54	n°50	PE(HD) EPDM	Green Roller Black O-Ring
12762LN		84.5	54			
12836LN		82.5	64			
121550LN		84.5	64			



## LOW NOISE ROLLER WITH SIDE BORDER

Code	For rod Ø (mm)	ØE	ØF		Material	
121956LN		44	55			
121957LN	16	54	65	n°50	PE(HD) EPDM	Green Roller Black O-Ring
121958LN		64	75			
121553LN		44	55			
12833LN	18	54	65	n°50	PE(HD) EPDM	Green Roller Black O-Ring
12837LN		64	75			
121554LN		44	55			
12763LN	20	54	65	n°50	PE(HD) EPDM	Green Roller Black O-Ring
12838LN		64	75			



# Chain return components

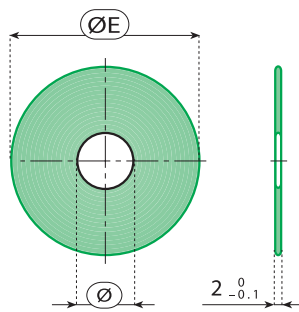
 Preferred type, readily available (codes marked in red)



## GUIDE FLANGE

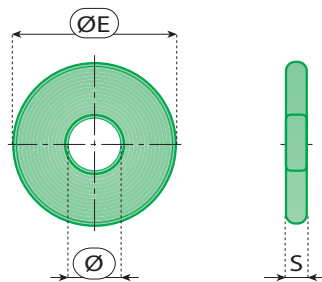
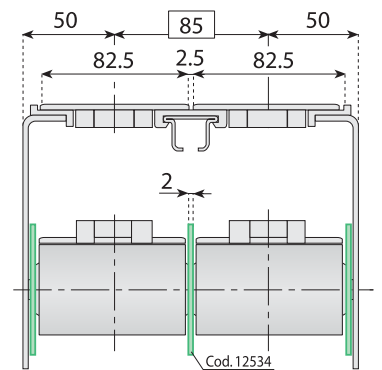
### Characteristics:

- Very low friction coefficient.
- No liquid absorption.
- Excellent wear and chemical resistance.



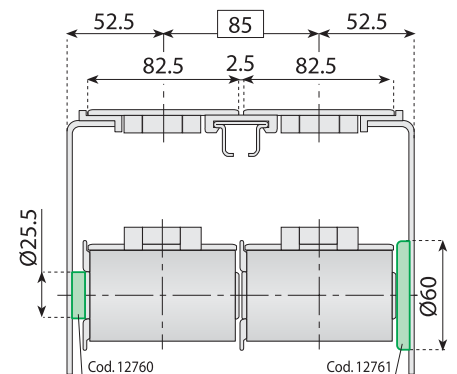
## GUIDE FLANGE

Code	For rod Ø (mm)	ØE		Material	
<b>12919</b>	14	50	n°100	PP	Green
<b>12847</b>		60			
<b>12843</b>		70			
<b>12918</b>	16	50	n°100	PP	Green
<b>12846</b>		60			
<b>12842</b>		70			
<b>12849</b>	18	50	n°100	PP	Green
<b>12845</b>		60			
<b>12841</b>		70			
<b>12826</b>		100			
<b>12848</b>	20	50	n°100	PP	Green
<b>12844</b>		60			
<b>12534</b>		70			
<b>12894</b>		100			



## GUIDE FLANGE

Code	For rod Ø (mm)	ØE	S	Material	
<b>12797</b>	15	90	5	n°100	PP
<b>12798</b>	20	90	5		
<b>12760</b>	20	25.5	7.25		
<b>12761</b>	20	60	7.25		

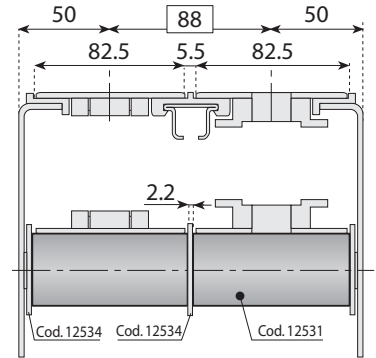
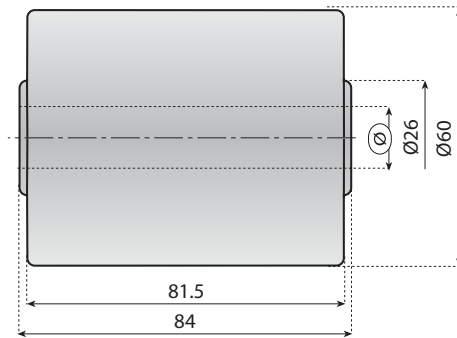


# Chain return components

Preferred type, readily available (codes marked in red)

**PA**  
Polyamide  
self-lubricating

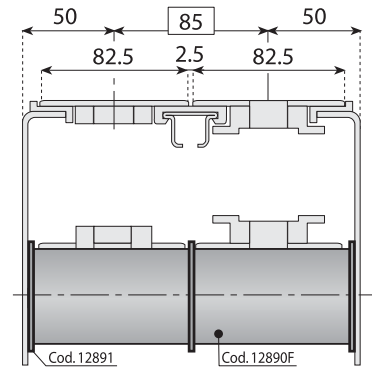
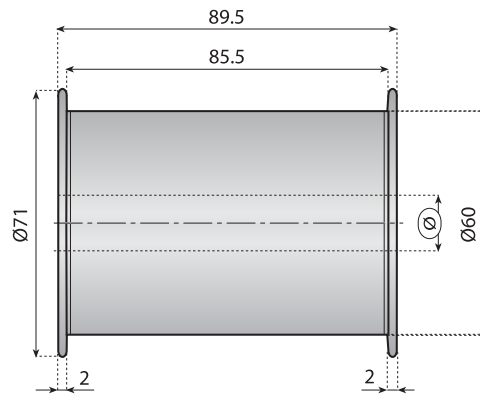
**Ø 60**  
External  
diameter



ROLLER

Code

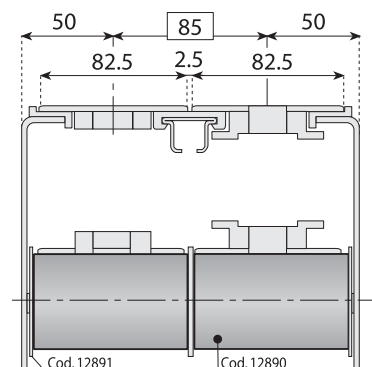
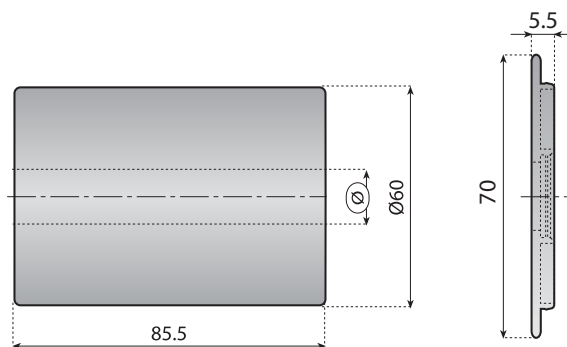
Code	For rod Ø (mm)		Material	
<b>12531</b>	14			
<b>12532</b>	18	n°50	PA	Black
<b>12533</b>	20			



ROLLER

Code

Code	For rod Ø (mm)		Material	
<b>12839F</b>	12			
<b>12890F</b>	14	n°50	PA	Black
<b>12840F</b>	16			



ROLLER

Code

Code	For rod Ø (mm)		Material	
<b>12839</b>	12	n°50		
<b>12890</b>	14	n°50	PA	Black
<b>12840</b>	16	n°50		
<b>12891</b>	Flange for roller		n°100	

# Chain return components solid roller

 Preferred type, readily available (codes marked in red)



Polypropylene



External diameter



External diameter

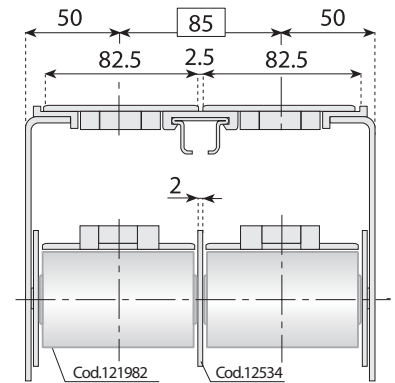
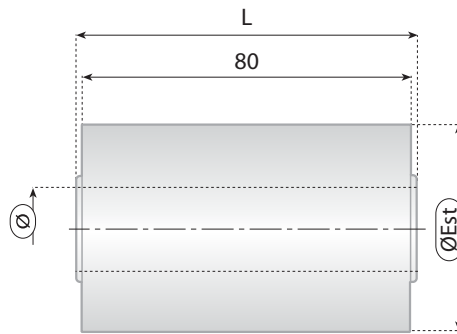


External diameter

## WATERTIGHT ROLLER

### Characteristics:

- Very low friction coefficient.
- No liquid absorption.
- Excellent wear and chemical resistance.
- Completely closed structure.
- Watertight.



## WATERTIGHT ROLLER

Code	For rod Ø (mm)	Ø Est	L		Material	
121971		40	82.5			
121972		40	84.5			
121973	15	50	82.5	n°50	PP	Black
121974		50	84.5			
121975		60	82.5			
121976		60	84.5			
121977		40	82.5			
121978		40	84.5			
121979	16	50	82.5	n°50	PP	Black
121980		50	84.5			
121981		60	82.5			
121982		60	84.5			
121983		40	82.5			
121984		40	84.5			
121985	18	50	82.5	n°50	PP	Black
121986		50	84.5			
121987		60	82.5			
121988		60	84.5			
121989		40	82.5			
121990		40	84.5			
121991	20	50	82.5	n°50	PP	Black
121992		50	84.5			
121993		60	82.5			
121994		60	84.5			

*Chemical resistant roller*

# Chain return components solid roller with rubber

Preferred type, readily available (codes marked in red)

**PP**  
Polypropylene  
External diameter **47**

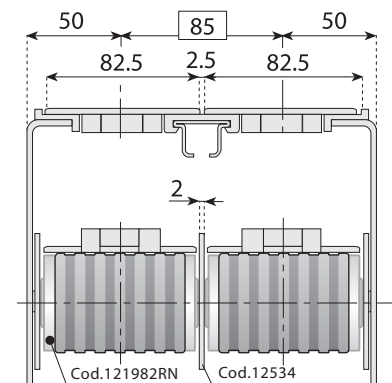
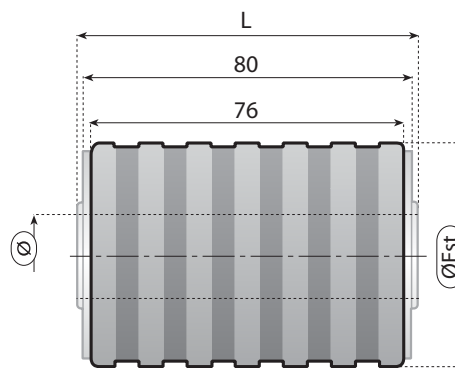
**TPR**  
Thermoplastic rubber  
External diameter **57**

External diameter **67**

## WATERTIGHT ROLLER WITH RUBBER

### Characteristics:

- Reduced noise level.
- Very low friction coefficient.
- No liquid absorption.
- Excellent wear and chemical resistance.
- Completely closed structure.
- Watertight.

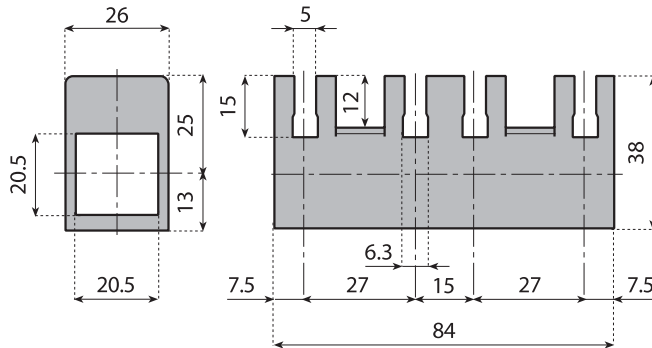
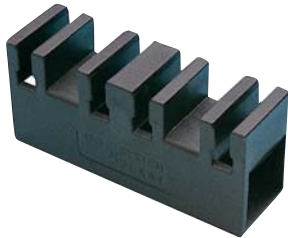


## WATERTIGHT ROLLER WITH RUBBER




Code	For rod Ø (mm)	Ø Est	L		Material	
121971RN		47	82.5			
121972RN		47	84.5			
121973RN	15	57	82.5	n°50	PP	Black Roller
121974RN		57	84.5		TPR	Grey Rubber
121975RN		67	82.5			
121976RN		67	84.5			
121977RN		47	82.5			
121978RN		47	84.5			
121979RN	16	57	82.5	n°50	PP	Black Roller
121980RN		57	84.5		TPR	Grey Rubber
121981RN		67	82.5			
121982RN		67	84.5			
121983RN		47	82.5			
121984RN		47	84.5			
121985RN	18	57	82.5	n°50	PP	Black Roller
121986RN		57	84.5		TPR	Grey Rubber
121987RN		67	82.5			
121988RN		67	84.5			
121989RN		47	82.5			
121990RN		47	84.5			
121991RN	20	57	82.5	n°50	PP	Black Roller
121992RN		57	84.5		TPR	Grey Rubber
121993RN		67	82.5			
121994RN		67	84.5			

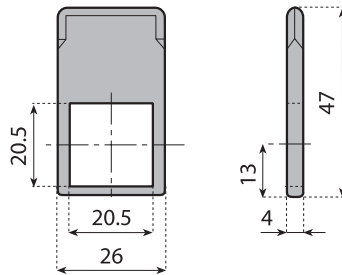
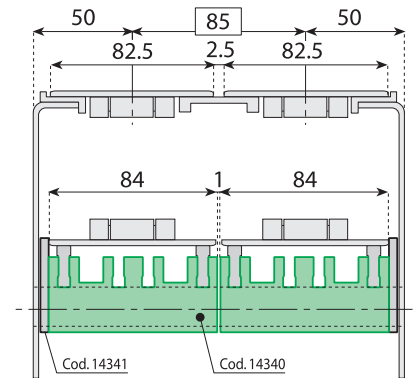
# Chain return components

 Preferred type, readily available (codes marked in red)






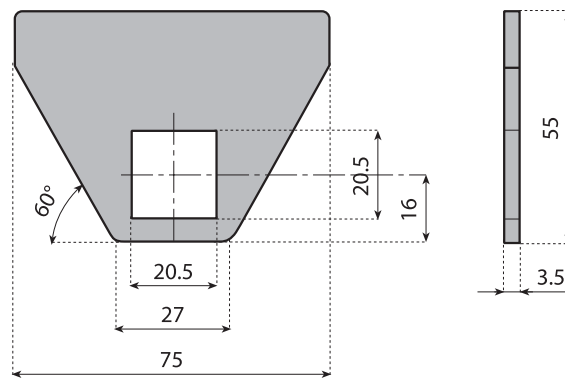
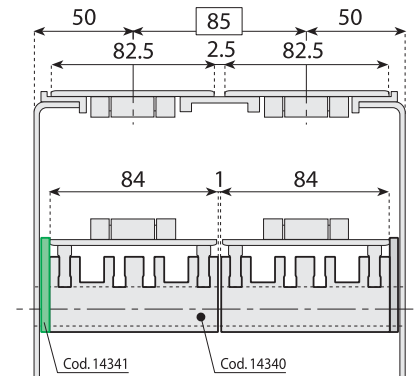
**SPACER  
FOR SERPENTINE**

<b>Code</b>	For square shaft			
<b>14340</b>	20 x 20	n°100	PA	Black






**LITTLE WASHER**

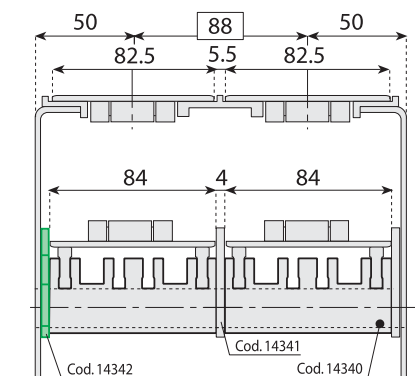
<b>Code</b>	For square shaft			
<b>14341</b>	20 x 20	n°100	PA	Black



**BIG WASHER**

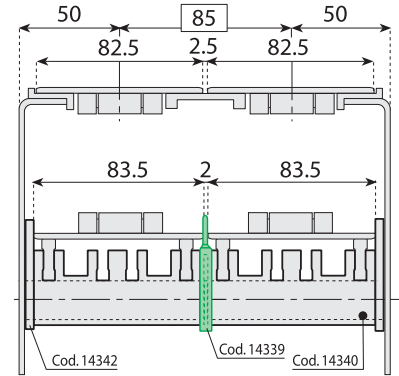
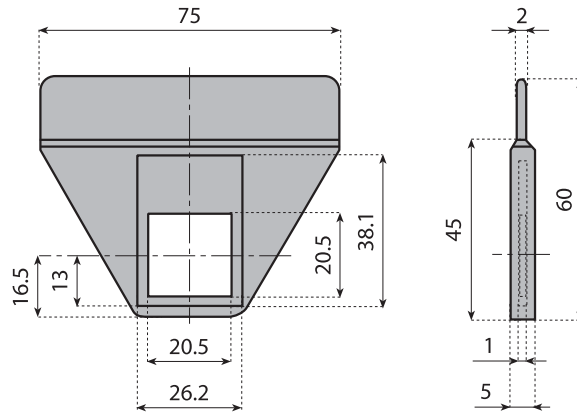
<b>Code</b>	For square shaft			
<b>14342</b>	20 x 20	n°100	PA	Black

**Use:** 88 mm pitch.



# Chain return components

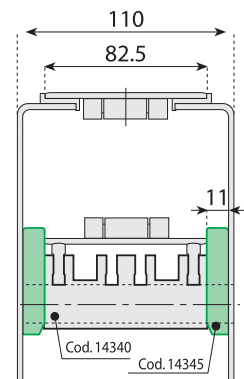
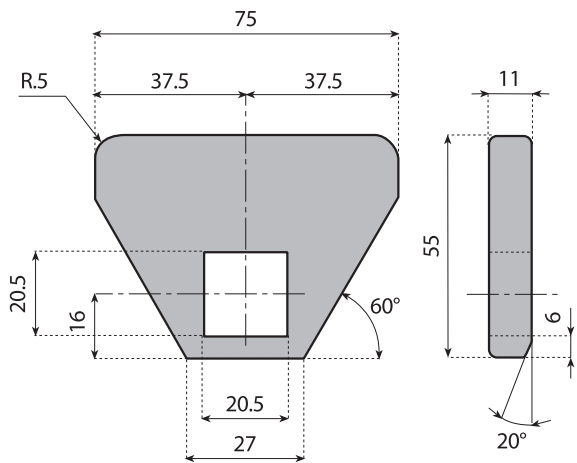
Preferred type, readily available (codes marked in red)



**BIG WASHER**

<b>Code</b>	For square shaft	n°100	PA	Black
<b>14339</b>	20 x 20			

**Use:** 85 mm pitch.

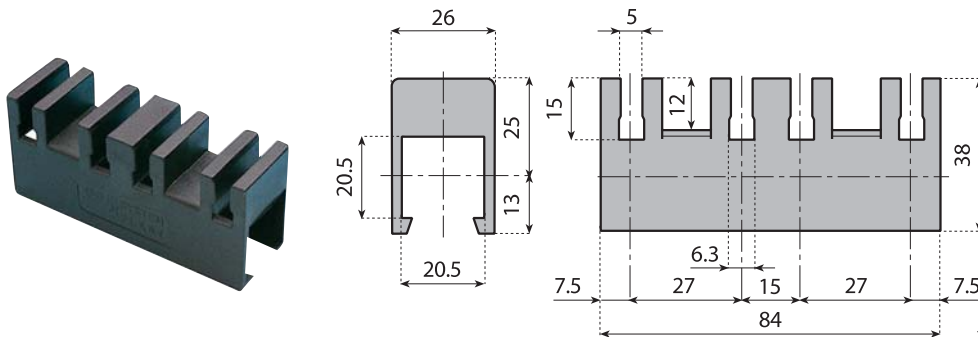


**EXTRA WASHER**




<b>Code</b>	For square shaft	n°100	PA	Black
<b>14345</b>	20 x 20			

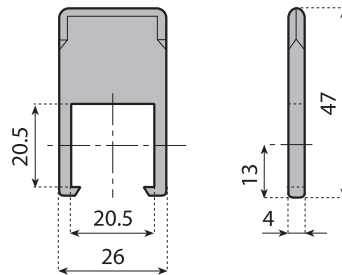
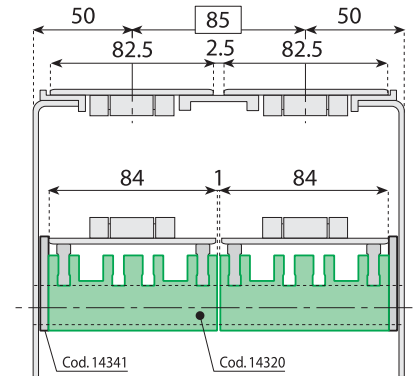
# Chain return components

 Preferred type, readily available (codes marked in red)






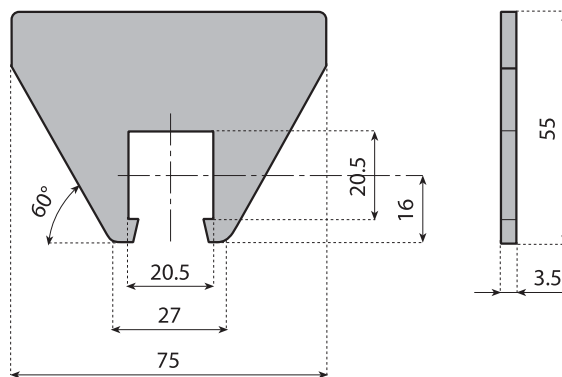
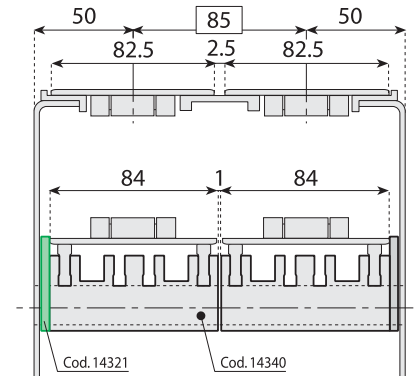
**SPACER**  
FOR SERPENTINE  
Snap-on assembly

<b>Code</b>	For square shaft			
<b>14320</b>	20 x 20	n°100	PA	Black






**LITTLE WASHER**  
Snap-on assembly

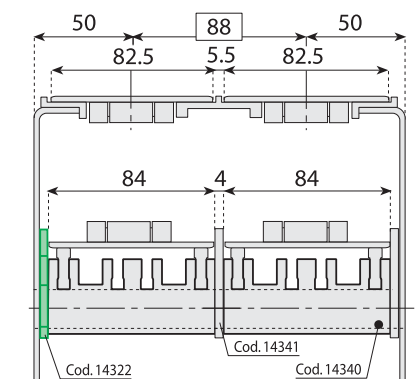
<b>Code</b>	For square shaft			
<b>14321</b>	20 x 20	n°100	PA	Black



**BIG WASHER**  
Snap-on assembly

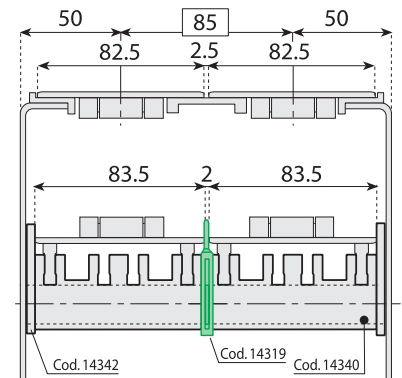
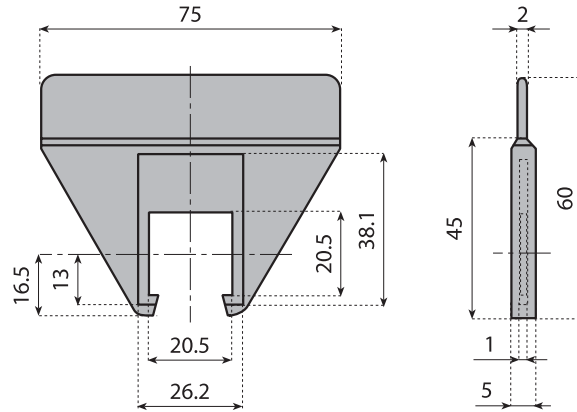
<b>Code</b>	For square shaft			
<b>14322</b>	20 x 20	n°100	PA	Black

Use: 88 mm pitch.





# Chain return components

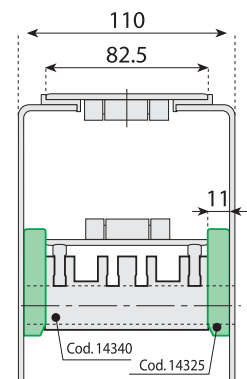
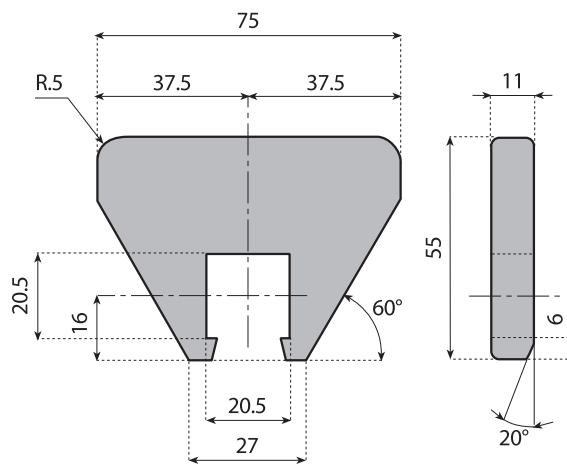
 Preferred type, readily available (codes marked in red)





**BIG WASHER**  
Snap-on assembly

Code	For square shaft		Material	
<b>14319</b>	20 x 20	n°100	PA	Black

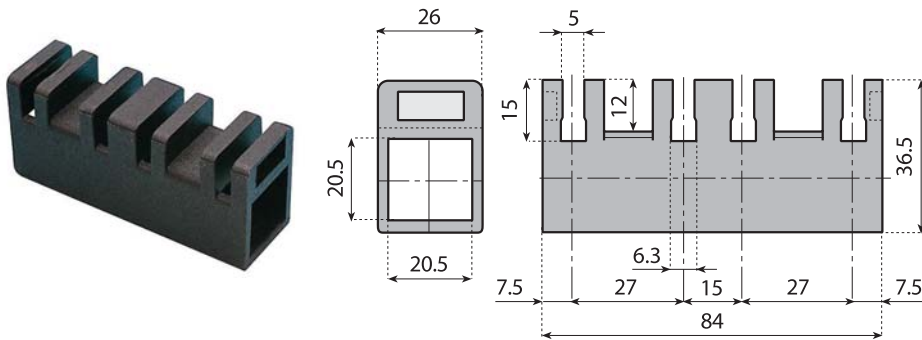
**Use:** 85 mm pitch.



**EXTRA WASHER**  
Snap-on assembly

Code	For square shaft		Material	
<b>14325</b>	20 x 20	n°100	PA	Black

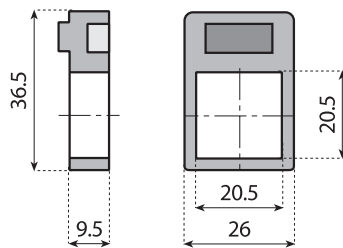
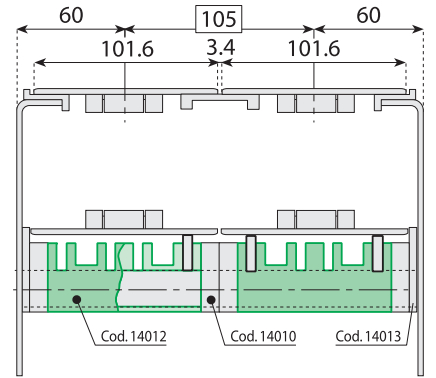
# Chain return components



## SPACER FOR SERPENTINE

Code	For square shaft	n°	Material	Color
14012	20 x 20	n°100	PA	Black

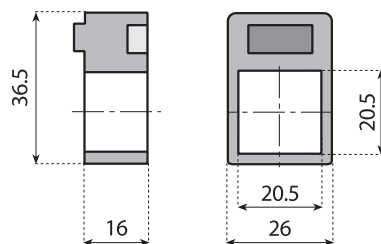
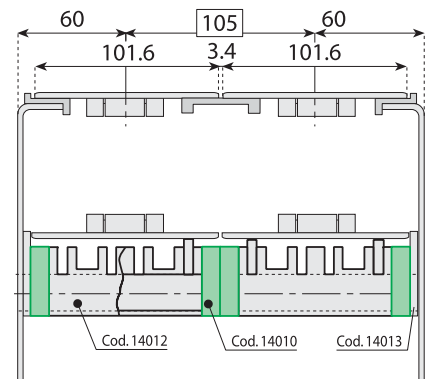
Use: in combination with codes 14010 - 14011 - 14013 - 14014.



## WASHER

Code	For square shaft	n°	Material	Color
14010	20 x 20	n°100	PA	Black

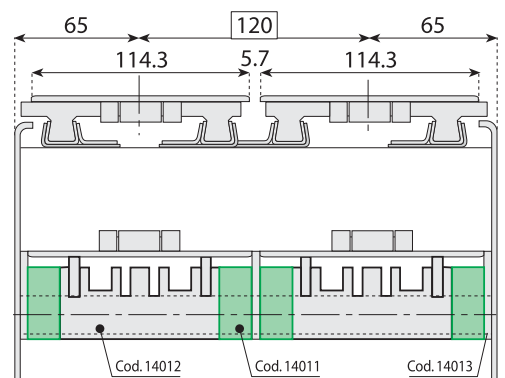
Use: chain return width K 400 (101,6 mm).



## BIG WASHER

Code	For square shaft	n°	Material	Color
14011	20 x 20	n°100	PA	Black

Use: chain return width K 450 (114,3 mm).



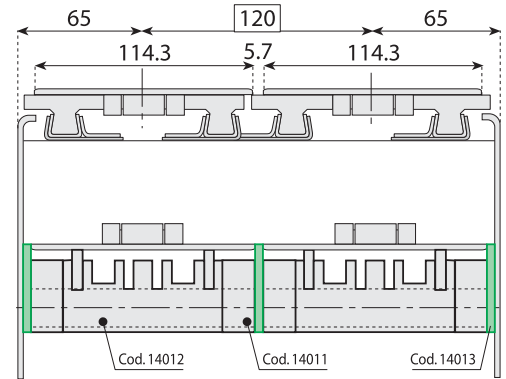
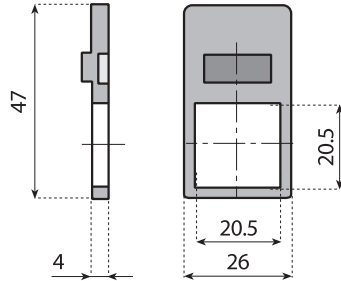
# Chain return components



Polyamide

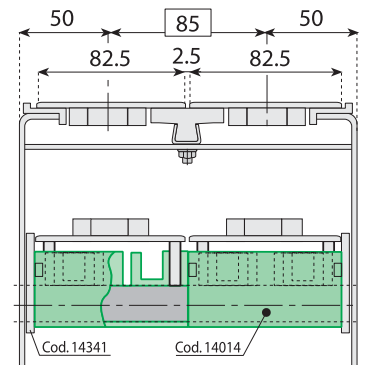
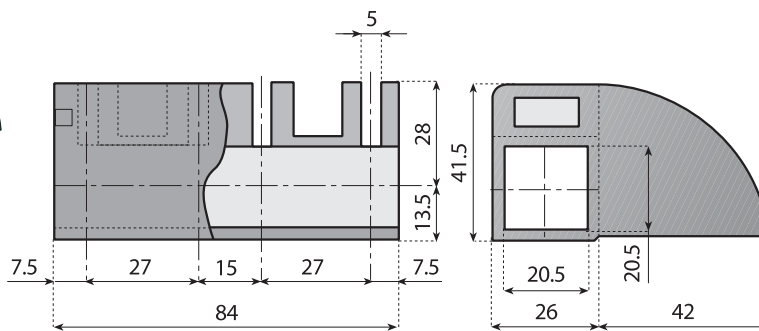


Polyethylene UHMW



## SIDE SPACER

Code	For square shaft	n°100	Material	Color
14013	20 x 20	n°100	PA	Black



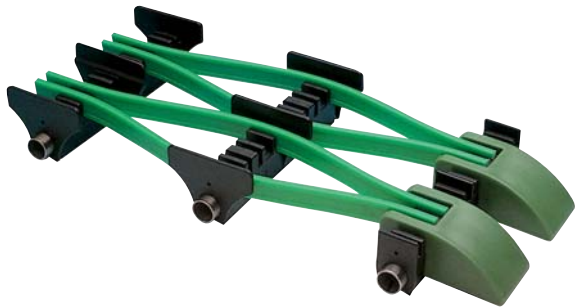
## SLIDING SHOE

Code	For square shaft	n°100	Material	Color
14014	20 x 20	n°100	PE	Black

Notes: this part can be installed with codes 14010 - 14011 - 14012 - 14013.

# Chain return components

 Preferred type, readily available (codes marked in red)



The new design is reliable, economic and easily installed. It reduces the installation time, assures a uniform alignment, a smooth level surface, increases chain life by reducing wear and chain pulsation.

**Notes:** use with rod  $\varnothing$  20 mm.

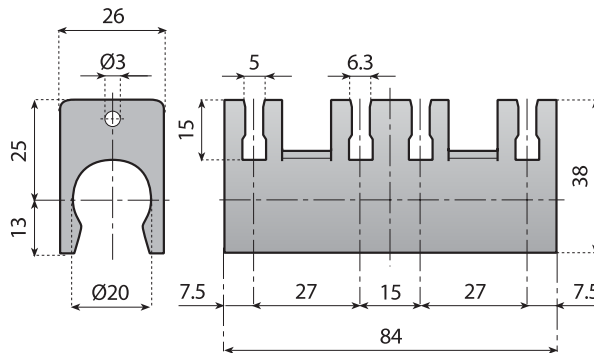
**Features:** use with steel or plastic chains and with modular belts.  
No length limitations.  
Rapid installation.  
No maintenance required.



Polyamide



Accessories



**SPACER FOR SERPENTINE**  
Snap-on assembly

Code

**14349**



20



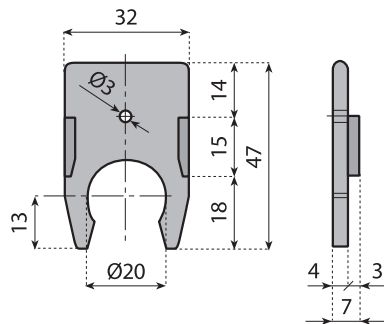
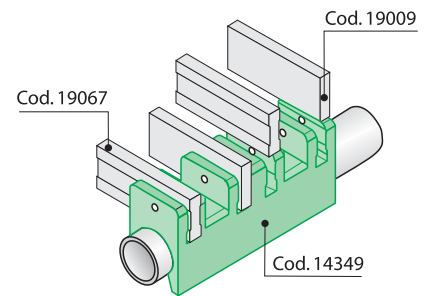
n°100



PA  
(Reinforced)



Black



**SIDE SPACER**  
Snap-on assembly

Code

**14351**



20



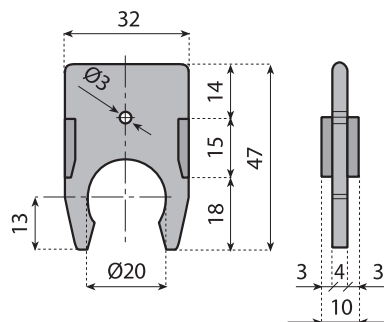
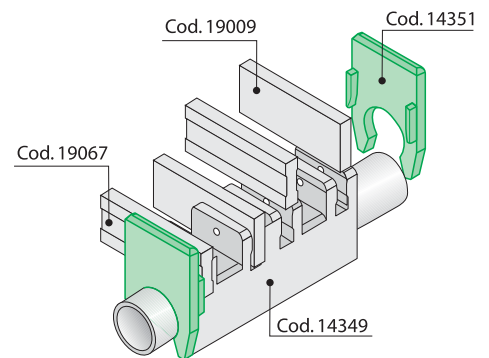
n°100



PA



Black



**MIDDLE SPACER**  
Snap-on assembly

Code

**14350**



20



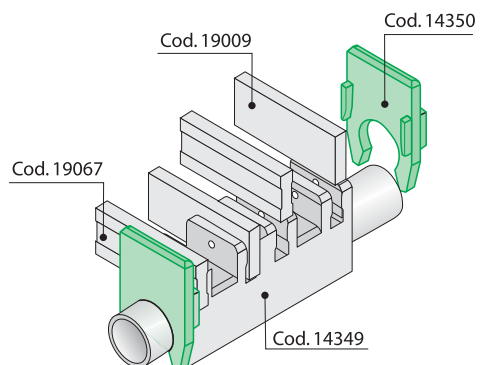
n°100



PA

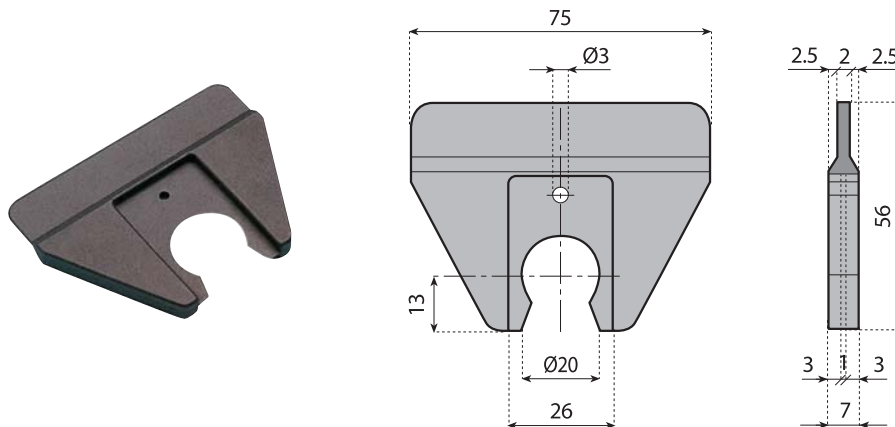


Black



# Chain return components

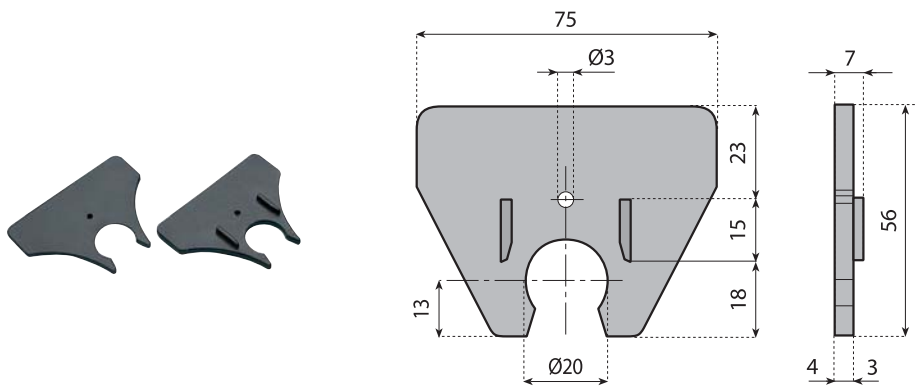
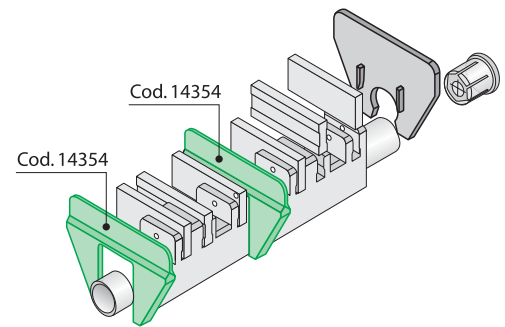
 Preferred type, readily available (codes marked in red)



**MIDDLE SPACER Pitch 85 mm**  
Snap-on assembly

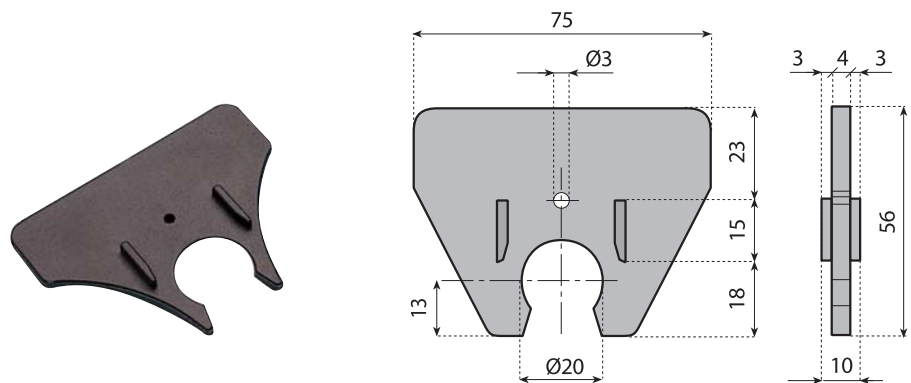
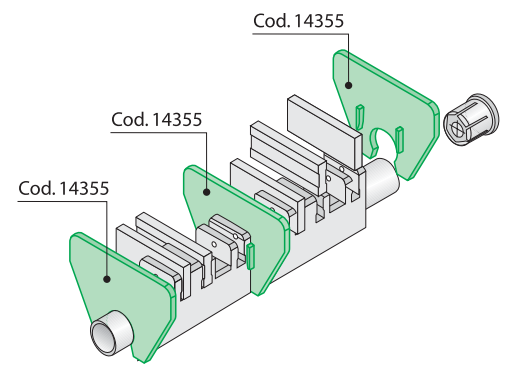
Code	For rod Ø (mm)	n°	Material	Color
<b>14354</b>	20	n°100	PA	Black

Use: in connection with code 14349.



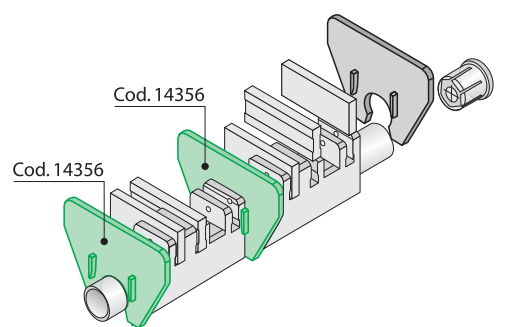
**SIDE SPACER Pitch 88 mm**  
Snap-on assembly

Code	For rod Ø (mm)	n°	Material	Color
<b>14355</b>	20	n°100	PA	Black



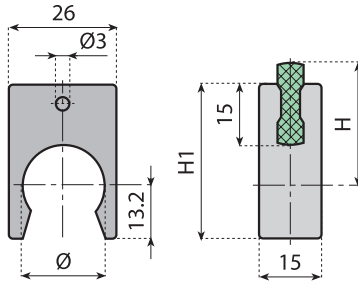
**MIDDLE SPACER Pitch 88 mm**  
Snap-on assembly

Code	For rod Ø (mm)	n°	Material	Color
<b>14356</b>	20	n°100	PA	Black



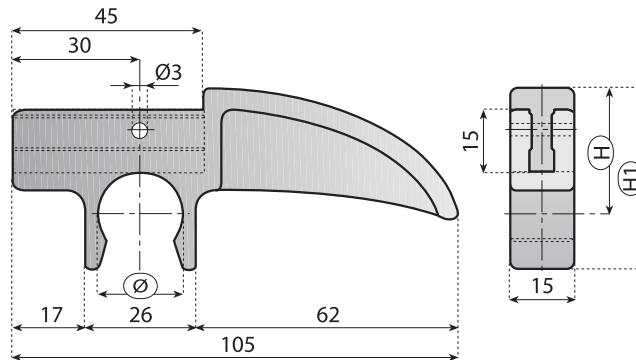
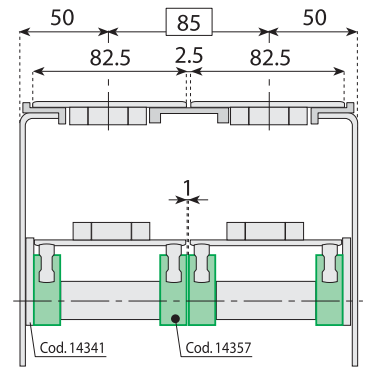
# Chain return components

 Preferred type, readily available (codes marked in red)



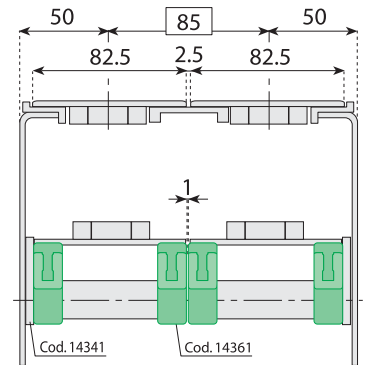
**SINGLE SPACER**  
Snap-on assembly

Code	For rod Ø (mm)	H	H1		Material	
<b>14357</b>	18	34	42.5	n°100	PA	Black
<b>14358</b>	20	30	38			

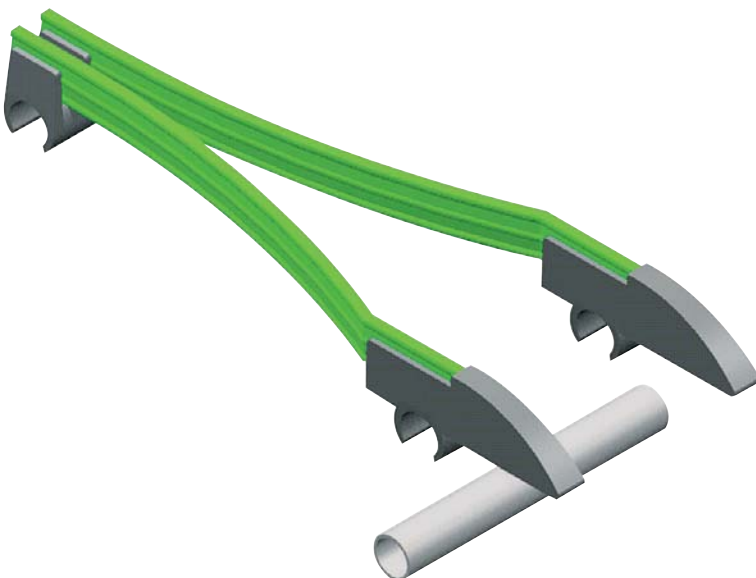


**SHOE WEAR STRIP**  
Snap-on assembly

Code	For rod Ø (mm)	H	H1		Material	
<b>14361</b>	18	34	42.5	n°50	PE	Black
<b>14362</b>	20	30	38			



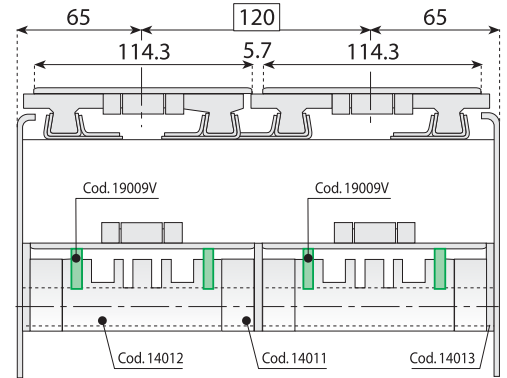
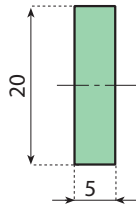
**Use:** wear strip code 19067N - 19067V.



# Chain return components

 Preferred type, readily available (codes marked in red)

**PE**  
Polyethylene  
UHMW



**WEAR STRIP**

Code

**19009N**  
**19009V**



60 m



60 m

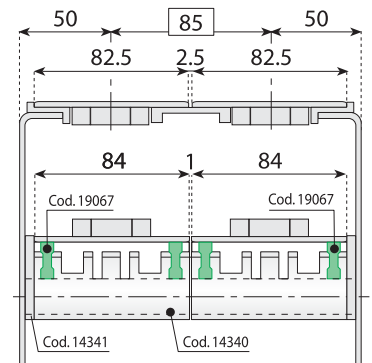
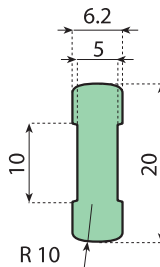
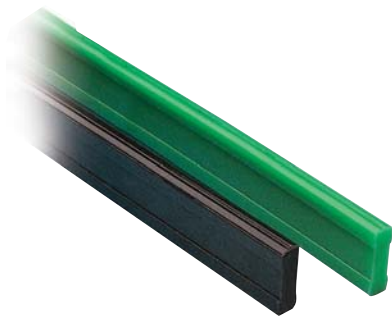


PE



Black  
Green

**Use:** spacers code 14340 - 14012 - 14349.



**WEAR STRIP**

Code

**19067N**  
**19067V**



60 m



60 m



PE



Black  
Green

**Use:** spacers code 14340 - 14349.

# Chain return components

 Preferred type, readily available (codes marked in red)



Save time and money

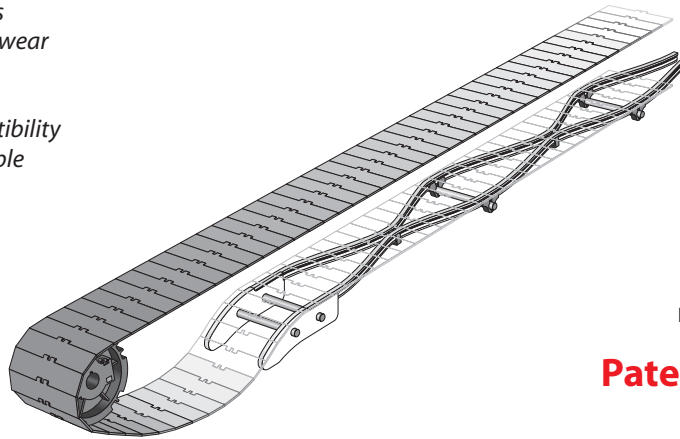


Polyethylene UHMW

## SERPENTINE RETURN SYSTEM FOR CHAINS AND MODULAR BELTS

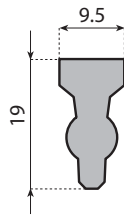
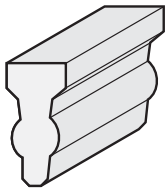
### Characteristics:

- cost-effective/labor saving
- flexible design/standard parts
- trouble free/secure
- guaranteed materials
- long life/lower chain wear
- low/no maintenance
- stable at high speeds
- universal belt compatibility
- industry proven reliable



USA #5,190,145  
D.G.M. #G9215240.6

**Patented Simplicity!**



Code

Ref.



**19S00002-30M**

VF-CR-3834-30M

30 m

30 m

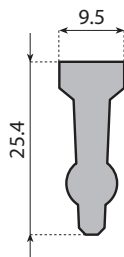
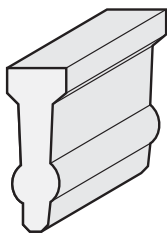
PE

White

### STANDARD VALUFLEX PROFILE

PATENTED

PATENT FEATURE



Code

Ref.



**19S00001-30M**

VF-CR-38100-30M

30 m

30 m

PE

White

### REINFORCED VALUFLEX PROFILE

#### Spreads out wear across chain!

The ValuFlex system uses standardized parts that help reduce design and fabrication time. ValuFlex can be easily installed, new or retrofitted, without the use of special tools. The absence of moving parts means less noise, less wear, and significantly lower maintenance and replacement cost. The serpentine pattern distributes wear evenly across the belt surface. This extends the useful life of chains or belts and provides increased stability at higher speeds.

ValuFlex is also used as a light duty support grid for lightly loaded modular style belts, and can be used with other Valu Guide components as a hold down system for packaging tops, lids, or flaps.

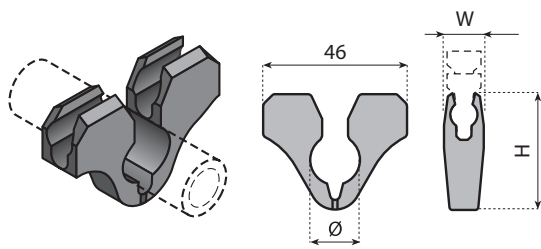
Low friction ValuFlex UHMW serpentine profiles last for years without the need for lubrication or maintenance, and operate equally well in dry or wet environments.

# Chain return components

Preferred type, readily available (codes marked in red)

Save time and money

**POM**  
Acetal resin

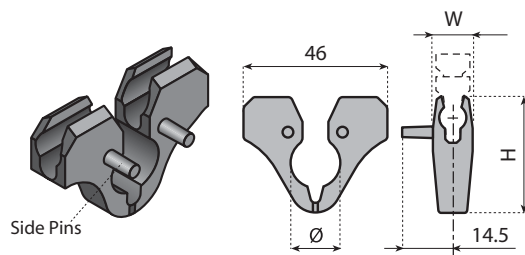


Code	Ref.	For rod Ø (mm)	H	W		Material	
<b>14S00002</b>	VF-CRC-14M	14	33	11.5	n°10	POM	Black
<b>14S00003</b>	VF-CRC-16M	16	36	12.5			
<b>14S00004</b>	VF-CRC-18M	18	36	12.5			

E.U. Patent Pending

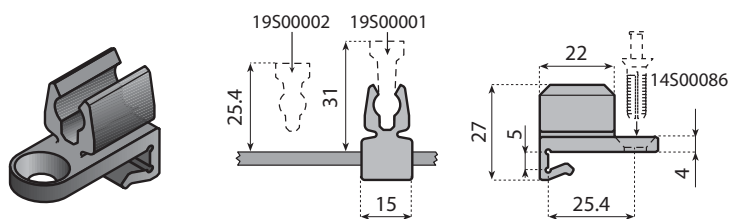
Patented Feature

## SNAPLOCK CLIPS



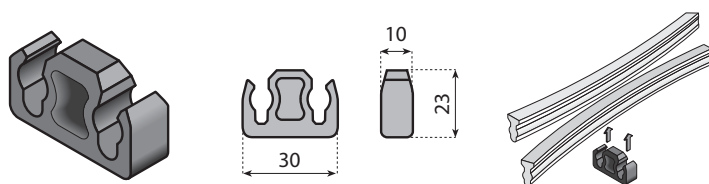
Code	Ref.	For rod Ø (mm)	H	W		Material	
<b>14S00089</b>	VF-CRCP-12M	12	33	11.5	n°10	POM	Black
<b>14S00005</b>	VF-CRCP-14M	14	33	11.5			
<b>14S00006</b>	VF-CRCP-16M	16	36	12.5			
<b>14S00007</b>	VF-CRCP-18M	18	36	12.5			

## SNAPLOCK CLIPS



Code	Ref.		Material	
<b>14S00001</b>	VF-CRA-M	n°10	POM	Black

## SNAPLOCK CLIPS



Code	Ref.		Material	
<b>14S00008</b>	VF-CRC-T	n°10	POM	Black

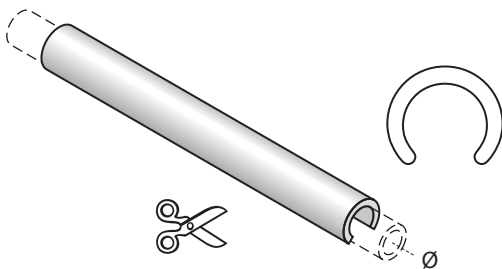
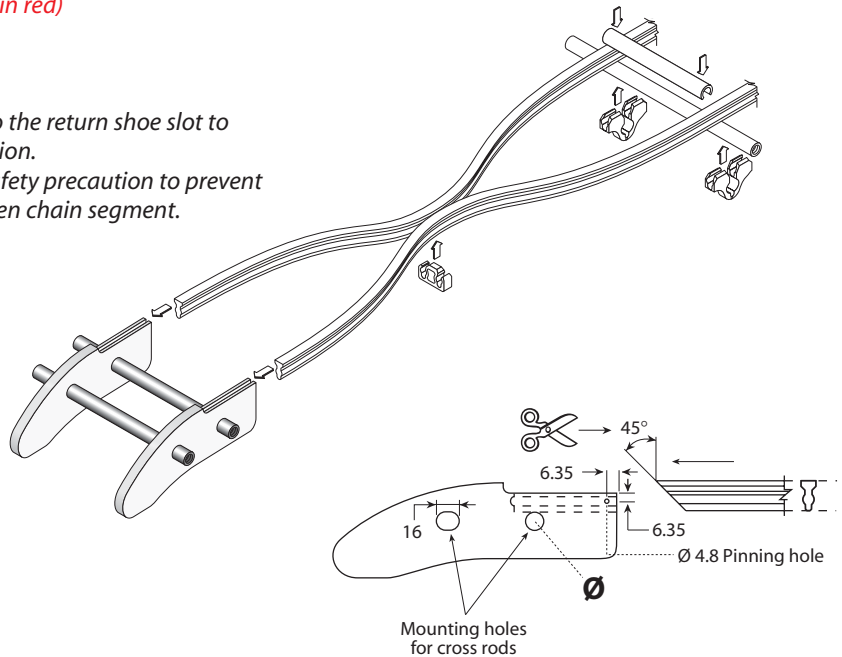
## PINCH LOCK CLIPS



# Chain return components

 Preferred type, readily available (codes marked in red)

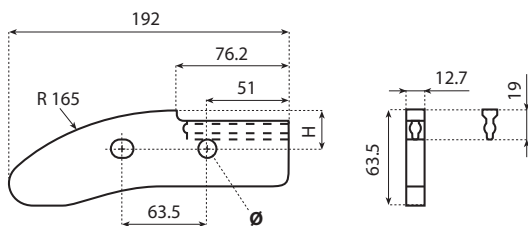
## VALUFLEX



ValuFlex serpentine profiles slide into the return shoe slot to ensure a smooth, trouble-free transition. Pinning the profile to the shoe is a safety precaution to prevent separation caused by a snag or broken chain segment.



Code	Ref.	For rod Ø (mm)	L		Material	
<b>19S00003-3M</b>	VF-CRP-3M-14M	14				
<b>19S00004-3M</b>	VF-CRP-3M-16M	16	3 m	30 m	PE	White
<b>19S00005-3M</b>	VF-CRP-3M-18M	18				

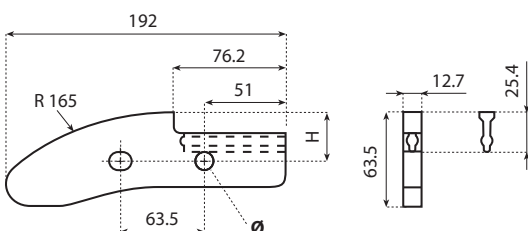
## SPACER





Code	Ref.	For rod Ø (mm)	H		Material	
<b>14S00012</b>	VF-CRS-34-14M	14	26			
<b>14S00013</b>	VF-CRS-34-16M	16	27	2	PE	White
<b>14S00014</b>	VF-CRS-34-18M	18	28			

## RETURN SHOES

for use with VF-CR-3834



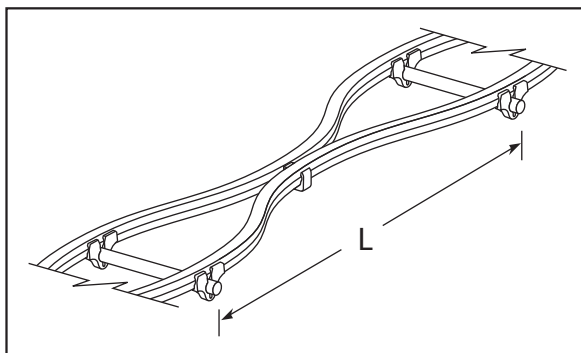
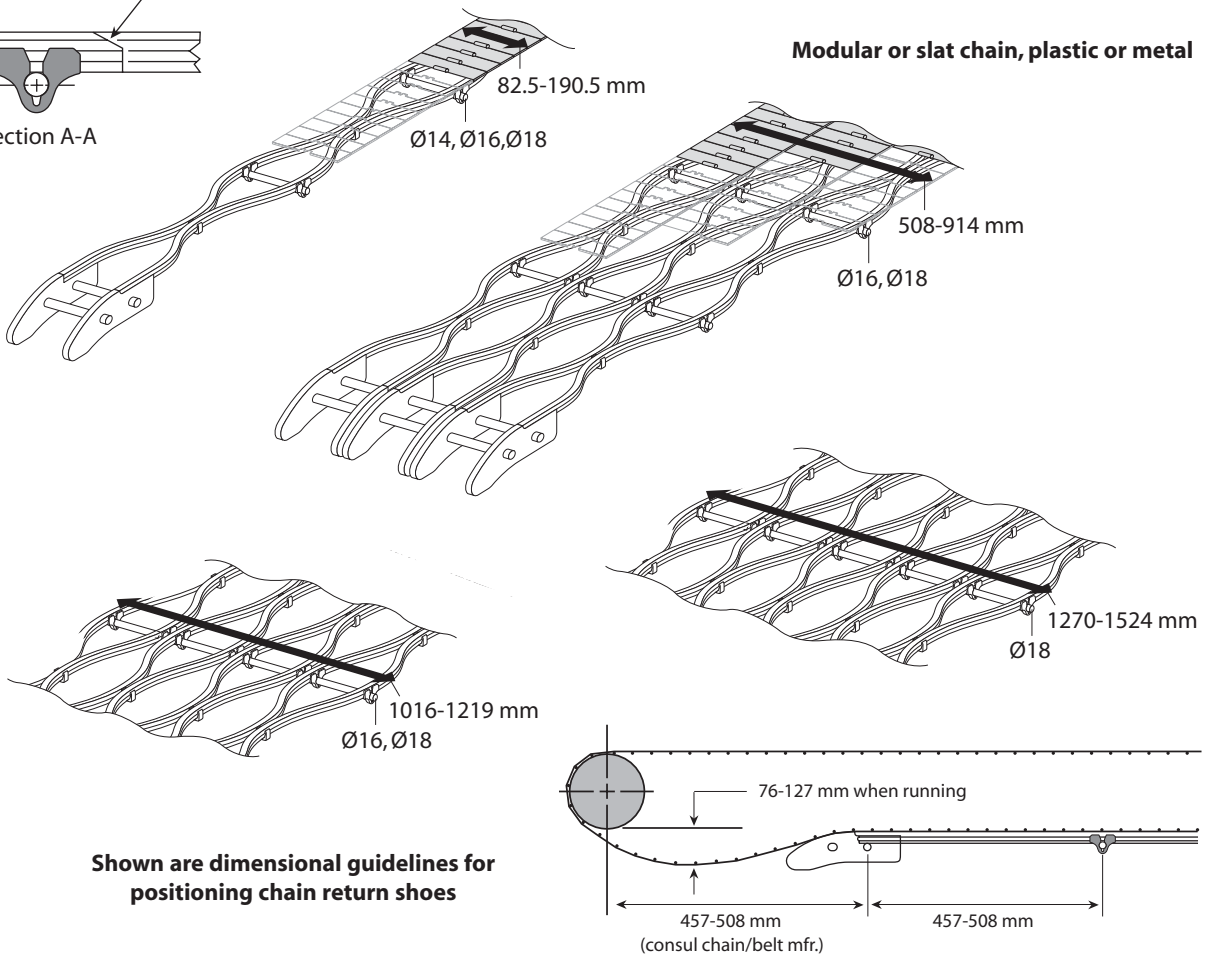
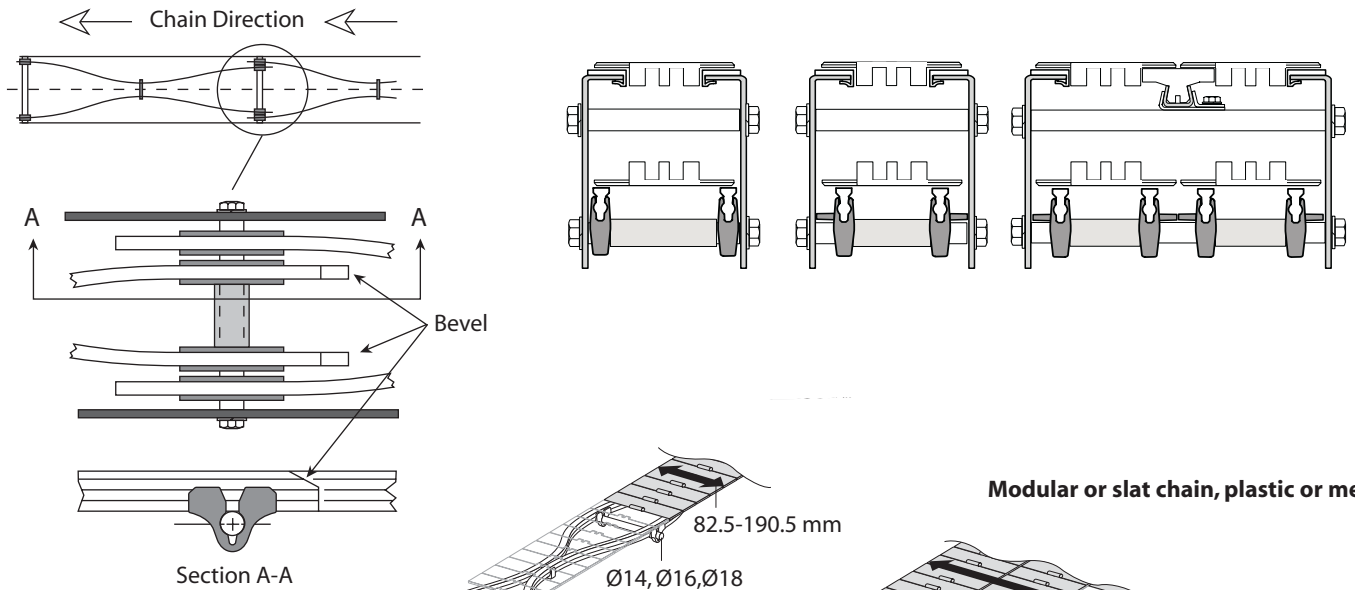
Code	Ref.	For rod Ø (mm)	H		Material	
<b>14S00009</b>	VF-CRS-100-14M	14	32.5			
<b>14S00010</b>	VF-CRS-100-16M	16	33.5	2	PE	White
<b>14S00011</b>	VF-CRS-100-18M	18	34.5			

## RETURN SHOES

for use with VF-CR-38100

# Chain return components

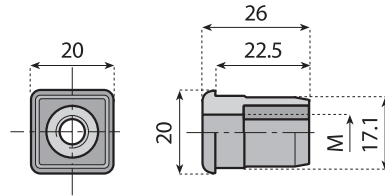
Splicing with the overlap method is quick and easy with ValuFlex.



Single Pair Max. Load			
L (mm)	VF-34-30M	L (mm)	VF-100-30M
300	18.89 Kg/m	300	36.21 Kg/m
450	6.24 Kg/m	450	11.08 Kg/m
600	3.59 Kg/m	600	5.77 Kg/m



# Chain return components

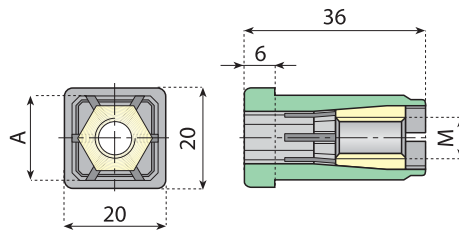
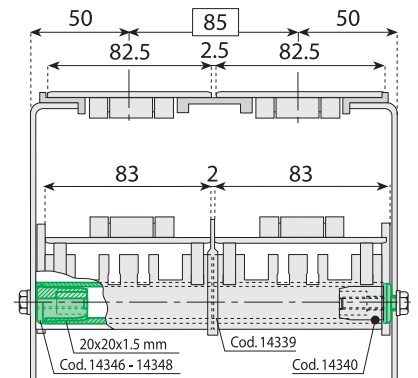
 Preferred type, readily available (codes marked in red)



## SQUARE PLUG for square tube

**Material:** reinforced polyamide, threaded bushing in nickel plated brass.



Code	M	For square tube		
<b>14348</b>	6	20 x 20	n°100	Black
<b>14346</b>	8	20 x 20		

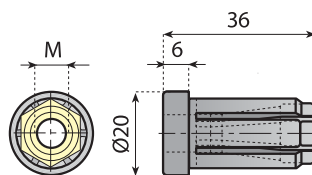
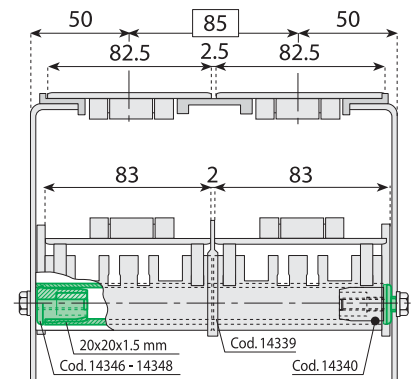


## EXPANSION PLUG for square tubes

**Components:**  
External part in reinforced polyamide.  
Conical insert in nickel plated brass.

**Technical information:**  
Max. load for removal Kgf 300  
(static conditions).



Code	A	M	For square tube		
<b>14019</b>	17	8	20 x 20 x 1.5	n°100	Black
<b>14020</b>	17	10	20 x 20 x 1.5		
<b>14021</b>	16	8	20 x 20 x 2		
<b>14022</b>	16	10	20 x 20 x 2		

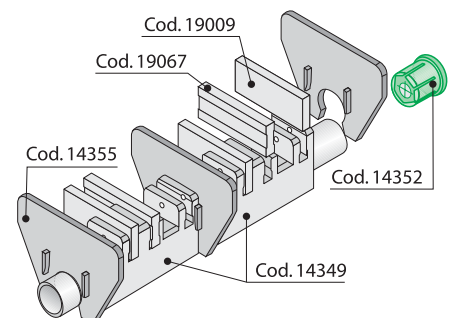


## EXPANSION PLUG for round tubes

**Components:**  
External part in reinforced polyamide.  
Conical insert in nickel plated brass.

**Technical information:**  
Max. load for removal Kgf 300  
(static conditions).

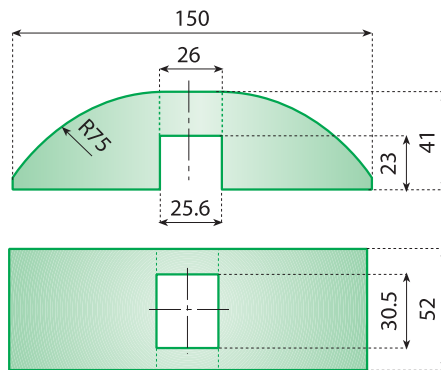
Code	M	For round tube		
<b>14352</b>	8	Ø 20 x 1.5	n°100	Black
<b>14353</b>	10	Ø 20 x 1.5		



# Chain return components

Preferred type, readily available (codes marked in red)

**PE**  
Polyethylene UHMW



SLIDING SHOE

Code

**14300**



n°100

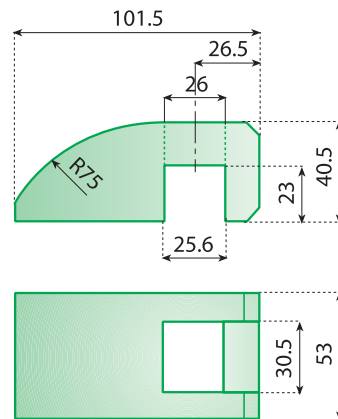
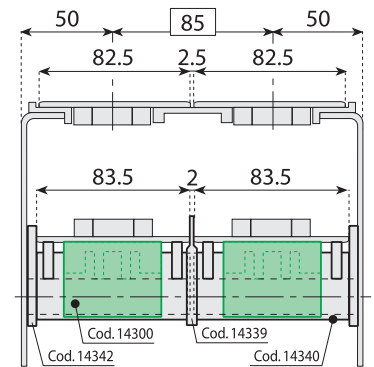


PE



Green

Use: with spacers 14340 - 14349.



SLIDING SHOE

Code

**14343**



n°100

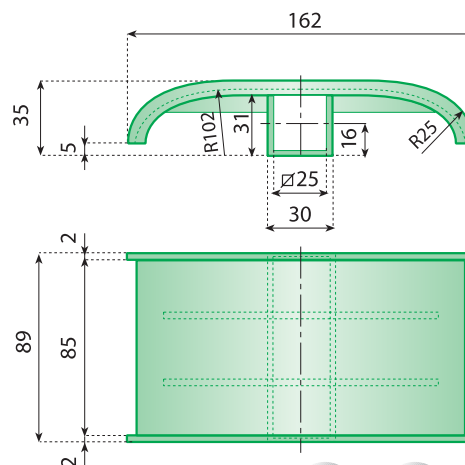
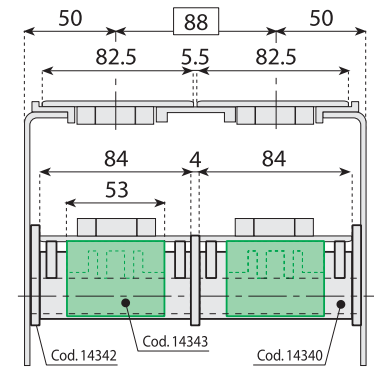


PE



Green

Use: with spacers 14340 - 14349.



SLIDING SHOE

Code

**14344**



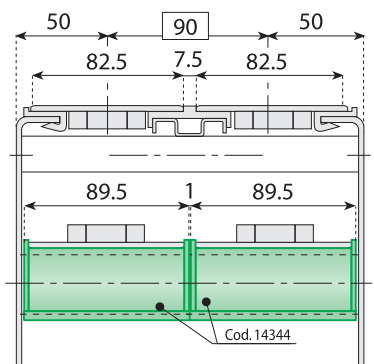
n°100



PE

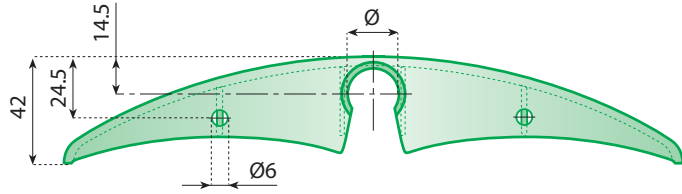


Green

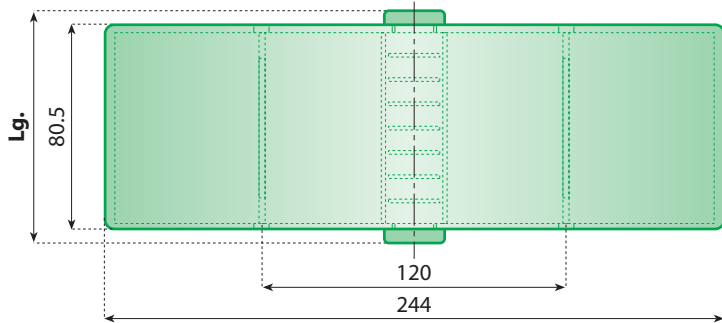


# Chain return components

 Preferred type, readily available (codes marked in red)

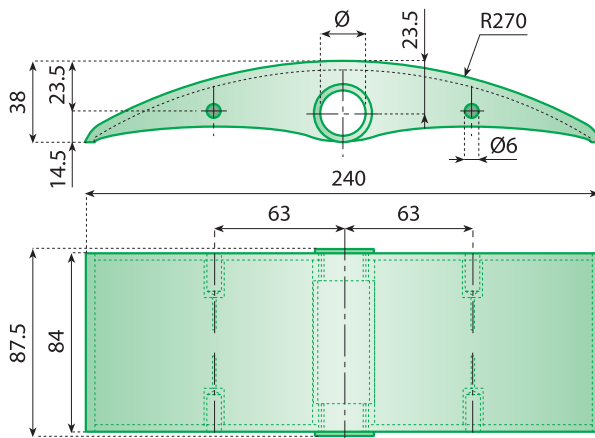


## SNAP-ON SELF-ADJUSTING SLIDING SHOE



Code	Lg.	For rod Ø (mm)		Material	
14858	80.5	30	n° 50	PE	Green
14858B					Black
14841	83	20	n° 50	PE	Green
14841B					Black
14842					Green
14842B					Black
14834	84	20	n°50	PE	Green
14834B					Black
14838					Green
14838B					Black

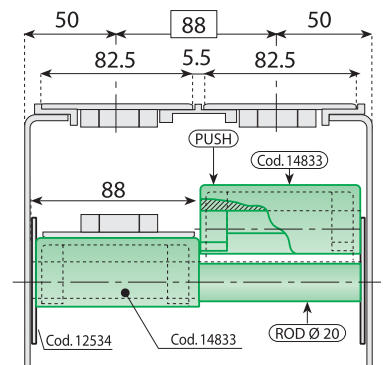
Code	Lg.	For rod Ø (mm)		Material	
14843	85	18	n°50	PE	Green
14843B					Black
14844	20	20	n°50	PE	Green
14844B					Black
14845	88	18	n°50	PE	Green
14845B					Black
14833					Green
14833B					Black



## SELF-ADJUSTING SLIDING SHOE

Application: pitch 88 mm.

Code	For rod Ø (mm)		Material	
14820	20	n°100	PE	Green
14820B				Black



# CORNER TRACKS

Pages

*For steel chains and plastic chains*

[76 → 84](#)

# STRAIGHT TRACKS

Pages

*For steel chains and plastic chains*

[85 → 92](#)

## FOR OUR CORNER TRACKS AND STRAIGHT TRACKS WE USE FOLLOWING MATERIALS:

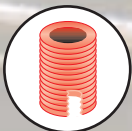
**Material: UHMW- PE (Ultra High Molecular Weight)** is our standard track material. It is a proprietary blend of resins and reground UHMW that minimizes wear and friction. It is suitable for most applications.

**Colour: black.**

**Material: Nolu-S** is a patented alloy of UHMW and dry lubricants that maintains good wear characteristics while significantly reducing the coefficient of friction.

**Recommended for dry running applications with plastic chains.**

**Colour: light grey.**



### **Inserts:**

The corner tracks can be supplied with M8 or M10 brass inserts to your detailed drawing



### **Corner tracks**

#### **Special Dimensions**

On request corner tracks with special dimensions can be produced.



**For further information contact our Engineering Department.**

## Straight and corner tracks



Straight and corner modules are designed to guide side flexing steel and plastic conveyor chains. They are manufactured with state of the art computer controlled machinery, assuring parallel module sides and a smooth uniform chain guiding surface.

### Selection of Materials

Our standard series is precision machined from a proprietary blend of Nolu-S, a grey, self lubricating UHMW blend. This material maintains excellent chemical and corrosion resistance, while providing low friction, superior rigidity, and resistance to wear.

	PE1000	Nolu-S
<b>Stainless steel chain static friction</b>	0.24 ( $\pm$ 0.03)	0.22 ( $\pm$ 0.01)
<b>Stainless steel chain dynamic friction</b>	0.18 ( $\pm$ 0.01)	0.15 ( $\pm$ 0.01)
<b>Acetal chain static friction</b>	0.18 ( $\pm$ 0.01)	0.15 ( $\pm$ 0.01)
<b>Acetal chain dynamic friction</b>	0.17 ( $\pm$ 0.01)	0.14 ( $\pm$ 0.01)
<b>Maximum, continuous operating temperature</b>	82°C	82°C

# NOLU-S - Material with built-in lubrication

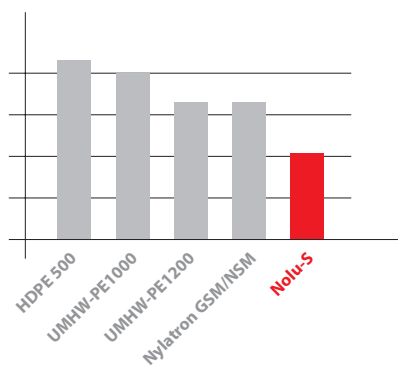
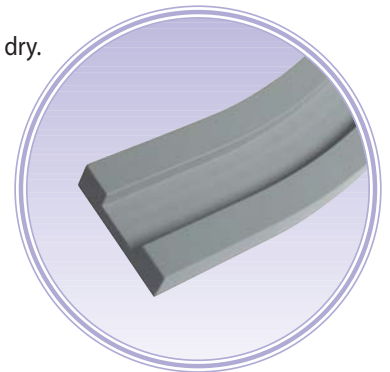
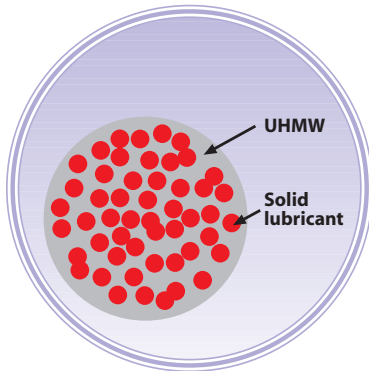
## WHAT IS NOLU-S ?

Nolu-S material is a unique compound of UHMW and a solid lubricant. Reduces drastically the coefficient of friction, maintaining the characteristics of UHMW. Nolu-S has a better thermal conductivity compared with UHMW.

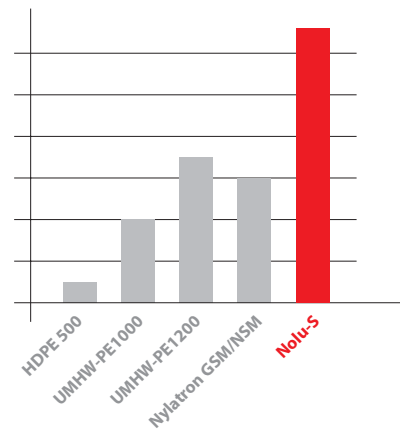
## WHY USE NOLU-S ?

### BENEFITS AND FEATURES

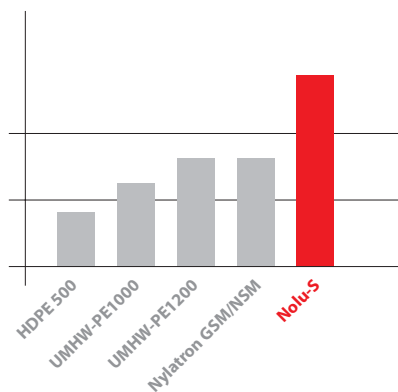
- **Nolu-S** makes very high speeds possible, especially when running dry.
- **Nolu-S** has an extremely low coefficient of friction.
- **Nolu-S** reduces noise and squeaking.
- **Nolu-S** reduces chain pull.
- **Nolu-S** extends the life of the chain.
- **Nolu-S** does not damage and scratch the surface of PET.
- **Nolu-S** reduces the consumption of energy.
- **Nolu-S** is a UHMW-PE1000 with a solid lubricant, FDA approved.



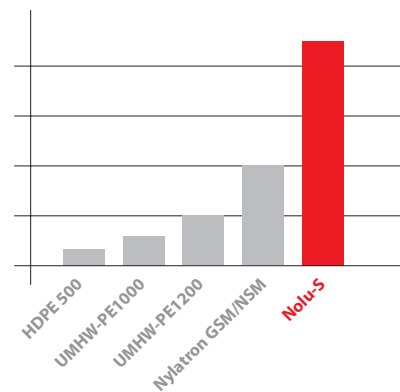
**COEFFICIENT OF FRICTION**  
AVERAGE COEFFICIENT OF FRICTION



**RELATIVE WEARLIFE**



**MAX. SPEED**  
MAX. RECOMMENDED SURFACE SPEED (DRY - ACETAL LF CHAIN)



**PV - LIMIT**

## NOLU-S CHARACTERISTICS

# CORNER TRACKS for TAB chains series

## 878 TAB - 879 TAB - 880 TAB - 881 TAB - 8810 TAB

## 2250 TAB - 2251 TAB



For chains type see  
Conveyor Chains - Belts  
catalogue



For steel chains, type:  
**881 TAB**  
**8810 TAB**



For plastic chains, type:  
**878 TAB • 879 TAB**  
**880 TAB**  
**2250 TAB • 2251 TAB**



**FOR CORNER TRACKS IN NOLU-S MATERIAL,  
JUST ADD "NS" TO PART NUMBER. EXAMPLE CODE "19017NS"**

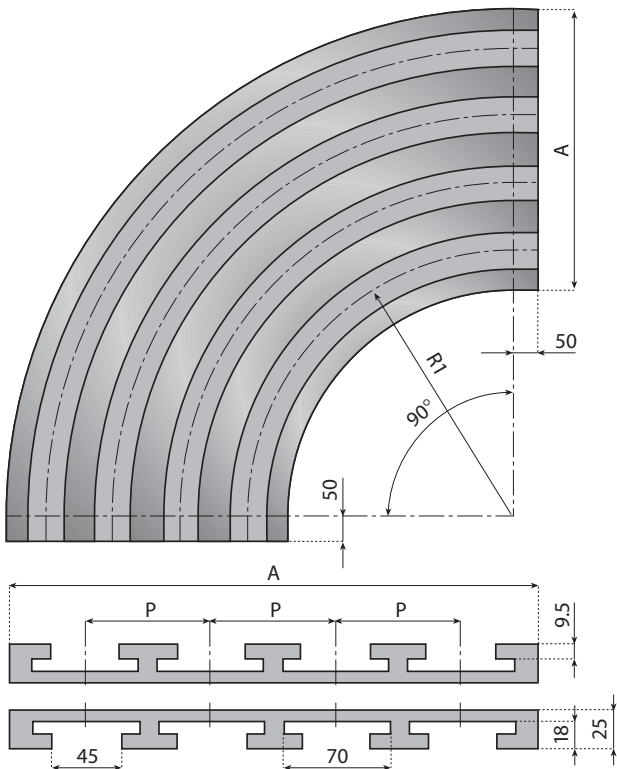
Tab chains K325 pitch 85 mm						
Tracks	Total Width A mm	Radius R1 = 500	Radius R1 = 610	Radius R1 = 650	Radius R1 = 800	Radius R1 = 1000
1	100	19017*	19125	19131	19137	19143
2	185	19149	19154	19159	19164	19169
3	270	19150	19155	19160	19165	19170
4	355	19151	19156	19161	19166	19171
5	440	19152	19157	19162	19167	19172
6	525	19153	19158	19163	19168	19173

Tab chains K325 pitch 88 mm						
Tracks	Total Width A mm	Radius R1 = 500	Radius R1 = 610	Radius R1 = 650	Radius R1 = 800	Radius R1 = 1000
1	100	19017*	19125	19131	19137	19143
2	188	19120	19126	19132	19138	19144
3	276	19121	19127	19133	19139	19145
4	364	19122	19128	19134	19140	19146
5	452	19123	19129	19135	19141	19147
6	540	19124	19130	19136	19142	19148

Tab chains K325 - K350 pitch 90 mm						
Tracks	Total Width A mm	Radius R1 = 500	Radius R1 = 610	Radius R1 = 650	Radius R1 = 800	Radius R1 = 1000
1	100	19017*	19125	19131	19137	19143
2	190	19465	19470	19475	19480	19485
3	280	19466	19471	19476	19481	19486
4	370	19467	19472	19477	19482	19487
5	460	19468	19473	19478	19483	19488
6	550	19469	19474	19479	19484	19489

Tab chains K450 pitch 120 mm						
Tracks	Total Width A mm	Radius R1 = 500	Radius R1 = 610	Radius R1 = 650	Radius R1 = 800	Radius R1 = 1000
1	130	-	19018*	19175	19177	19179
2	250	-	19174	19176	19178	19180
3	370	-	19445	19449	19453	19457
4	490	-	19446	19450T	19454	19458
5	610	-	19447	19451T	19455	19459
6	730	-	19448	19452T	19456	19460T

Tab chains K750 pitch 195 mm						
Tracks	Total Width A mm	Radius R1 = 500	Radius R1 = 610	Radius R1 = 650	Radius R1 = 800	Radius R1 = 1000
1	200	-	19181	19183	19185	19187
2	395	-	19182	19184	19186	19188
3	590	-	19490	19492	19494	19496
4	785	-	19491	19493	19495	19497



**Now AVAILABLE IN**  
**"NOLU-S"**  
**MATERIAL !**

For further  
information  
see page 74 - 75

- More tracks available on request.
- Material: UHMW- PE**, colour: black.
- Material: Nolu-S**, colour: light grey.
- Supply:** corner tracks are supplied complete with carry and return plates.

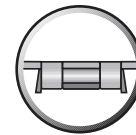
\* These curves are now available ex stock in Nolu-S material, part number 19017-NS and 19018-NS

# CORNER TRACKS for BEVEL chains

## 879 - 880 - 881 - 8810



For chains type see  
Conveyor Chains - Belts  
catalogue



For steel chains,  
type:  
881 • 8810



For plastic chains,  
type:  
879 • 880

**FOR CORNER TRACKS IN NOLU-S MATERIAL,  
JUST ADD "NS" TO PART NUMBER. EXAMPLE CODE "19015NS"**

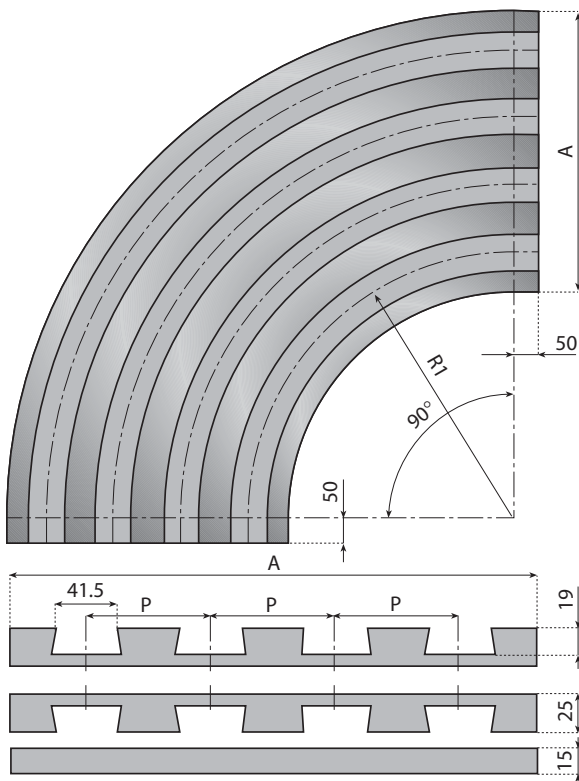
Bevel chains K325 pitch 85 mm						
Tracks	Total Width A mm	Radius R1 = 500	Radius R1 = 610	Radius R1 = 650	Radius R1 = 800	Radius R1 = 1000
1	100	19015	19279	19285	19291	19297
2	185	19303	19308	19313	19318	19323
3	270	19304	19309	19314	19319	19324
4	355	19305	19310	19315	19320	19325
5	440	19306	19311	19316	19321	19326
6	525	19307	19312	19317	19322	19327

Bevel chains K325 pitch 88 mm						
Tracks	Total Width A mm	Radius R1 = 500	Radius R1 = 610	Radius R1 = 650	Radius R1 = 800	Radius R1 = 1000
1	100	19015	19279	19285	19291	19297
2	188	19274	19280	19286	19292	19298
3	276	19275	19281	19287	19293	19299
4	364	19276	19282	19288	19294	19300
5	452	19277	19283	19289	19295	19301
6	540	19278	19284	19290	19296	19302

Bevel chains K325 - K350 pitch 90 mm						
Tracks	Total Width A mm	Radius R1 = 500	Radius R1 = 610	Radius R1 = 650	Radius R1 = 800	Radius R1 = 1000
1	100	19015	19279	19285	19291	19297
2	190	19914	19919	19924	19929	19934
3	280	19915	19920	19925	19930	19935
4	370	19916	19921	19926	19931	19936
5	460	19917	19922	19927	19932	19937
6	550	19918	19923	19928	19933	19938

Bevel chains K450 pitch 120 mm						
Tracks	Total Width A mm	Radius R1 = 500	Radius R1 = 610	Radius R1 = 650	Radius R1 = 800	Radius R1 = 1000
1	130	-	19016	19330	19332	19334
2	250	-	19329	19331	19333	19335
3	370	-	19896	19897	19898	19899
4	490	-	19901	19904	19907	19910
5	610	-	19902	19905	19908	19911
6	730	-	19903	19906	19909	19912

Bevel chains K750 pitch 195 mm						
Tracks	Total Width A mm	Radius R1 = 500	Radius R1 = 610	Radius R1 = 650	Radius R1 = 800	Radius R1 = 1000
1	200	-	19336	19338	19340	19342
2	395	-	19337	19339	19341	19343
3	590	-	19939	19941	19943	19945
4	785	-	19940	19942	19944	19946



**NOW AVAILABLE IN**

**"NOLU-S"**

**MATERIAL !**

For further  
information  
[see page 74 - 75](#)

• More tracks available on request.

**Material: UHMW- PE**, colour: black.

**Material: Nolu-S**, colour: light grey.

**Supply:** corner tracks are supplied complete with carry and return plates.

# CORNER TRACKS for TAB chains series

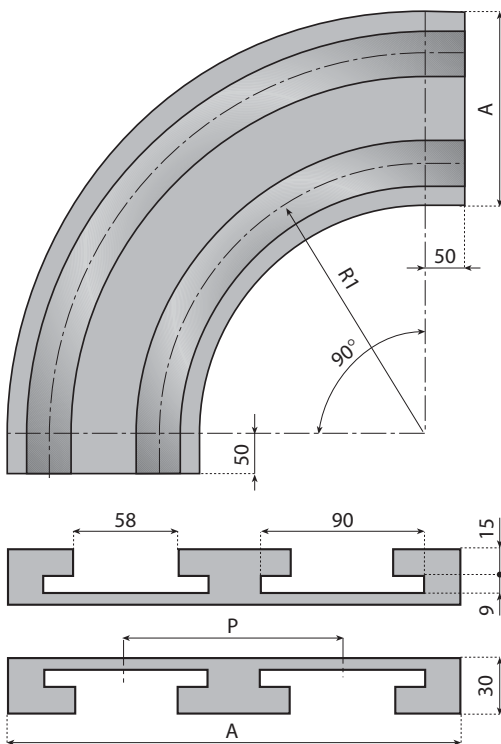
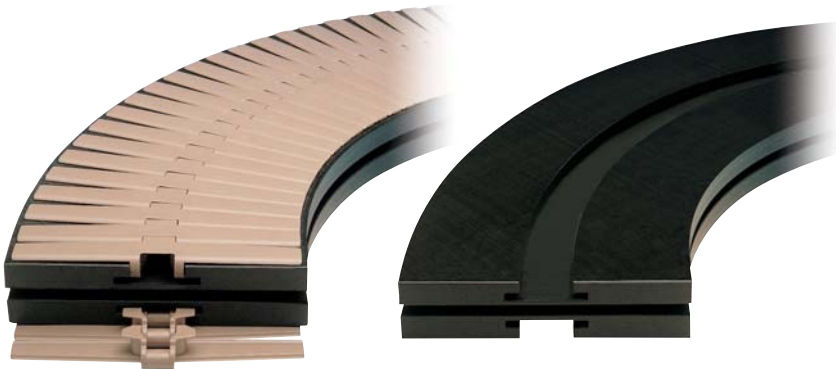
## 882 TAB - LBP 882 TAB - 882 TAB VG



For chains type see  
Conveyor Chains - Belts  
catalogue



For plastic chains, type:  
**882 TAB**



**FOR CORNER TRACKS IN NOLU-S MATERIAL,  
JUST ADD "NS" TO PART NUMBER. EXAMPLE CODE "19102NS"**

Tab chains **K450** pitch **120 mm**

Tracks	Total Width A mm	Radius R1 = 610	Radius R1 = 650	Radius R1 = 800	Radius R1 = 1000
1	130	19102	19190	19192	19194
2	250	19189	19191	19193	19195
3	370	19950	19954	19958	19962
4	490	19951	19955	19959	19963
5	610	19952	19956	19960	19964
6	730	19953	19957	19961	19965

Tab chains **K750** pitch **195 mm**

Tracks	Total Width A mm	Radius R1 = 610	Radius R1 = 650	Radius R1 = 800	Radius R1 = 1000
1	200	19103	19197	19199	19201
2	395	19196	19198	19200	19202
3	590	19966	19968	19970	19972
4	785	19967	19969	19971	19973

Tab chains **K1000** pitch **230 mm**

Tracks	Total Width A mm	Radius R1 = 610	Radius R1 = 650	Radius R1 = 800	Radius R1 = 1000
1	270	19104	19204	19206	19208
2	530	19203	19205	19207	19209
3	790	19974	19976	19978	19980
4	1050	19975	19977	19979	19981

Tab chains **K1200** pitch **310 mm**

Tracks	Total Width A mm	Radius R1 = 610	Radius R1 = 650	Radius R1 = 800	Radius R1 = 1000
1	320	19105	19211	19213	19215
2	630	19210	19212	19214	19216
3	940	19982	19984	19986	19988
4	1250	19983	19985	19987	19989

**NOW AVAILABLE IN**

**"NOLU-S"**

**MATERIAL !**

For further  
information  
see page 74 - 75

• More tracks available on request.

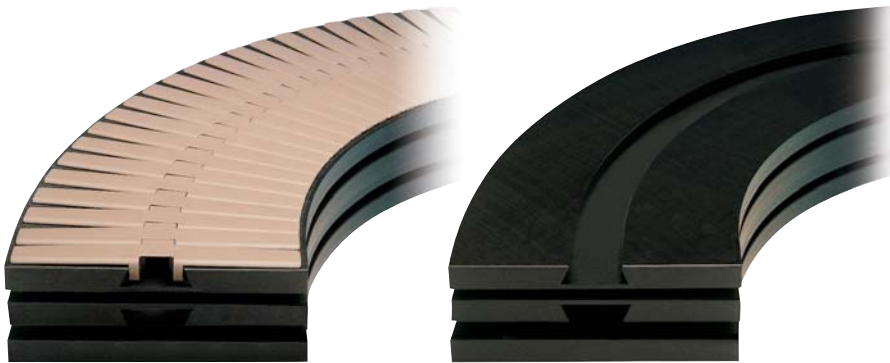
**Material: UHMW- PE**, colour: black.

**Material: Nolu-S**, colour: light grey.

**Supply:** corner tracks are supplied complete with carry and return plates.

# CORNER TRACKS for BEVEL chains serie

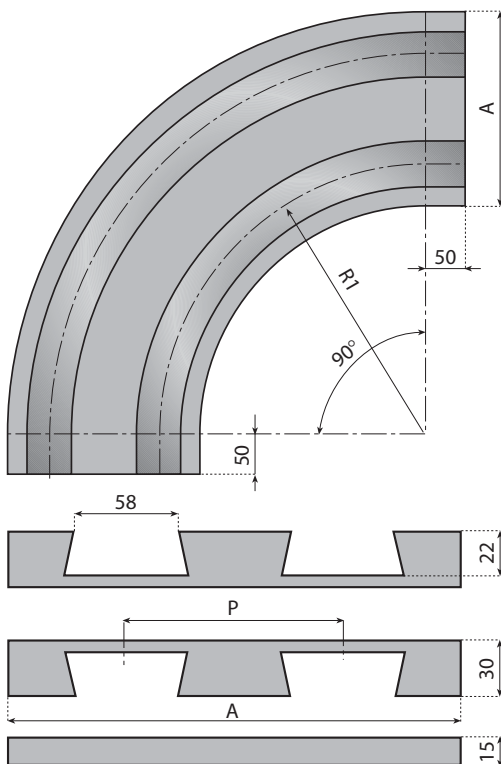
## 882



For chains type see  
Conveyor Chains - Belts  
catalogue



For plastic chains, type:  
**882 BEVEL**



**FOR CORNER TRACKS IN NOLU-S MATERIAL,  
JUST ADD "NS" TO PART NUMBER. EXAMPLE CODE "190001NS"**

Bevel chains K450 pitch 120 mm					
Tracks	Total Width A mm	Radius R1 = 610	Radius R1 = 650	Radius R1 = 800	Radius R1 = 1000
1	130	190001	190007	190013	190019
2	250	190002	190008	190014	190020
3	370	190003	190009	190015	190021
4	490	190004	190010	190016	190022
5	610	190005	190011	190017	190023
6	730	190006	190012	190018	190024

Bevel chains K750 pitch 195 mm					
Tracks	Total Width A mm	Radius R1 = 610	Radius R1 = 650	Radius R1 = 800	Radius R1 = 1000
1	200	190025	190029	190033	190037
2	395	190026	190030	190034	190038
3	590	190027	190031	190035	190039
4	785	190028	190032	190036	190040

Bevel chains K1000 pitch 260 mm					
Tracks	Total Width A mm	Radius R1 = 610	Radius R1 = 650	Radius R1 = 800	Radius R1 = 1000
1	270	190041	190045	190049	190053
2	530	190042	190046	190050	190054
3	790	190043	190047	190051	190055
4	1050	190044	190048	190052	190056

**NOW AVAILABLE IN**  
**"NOLU-S"**  
**MATERIAL !**

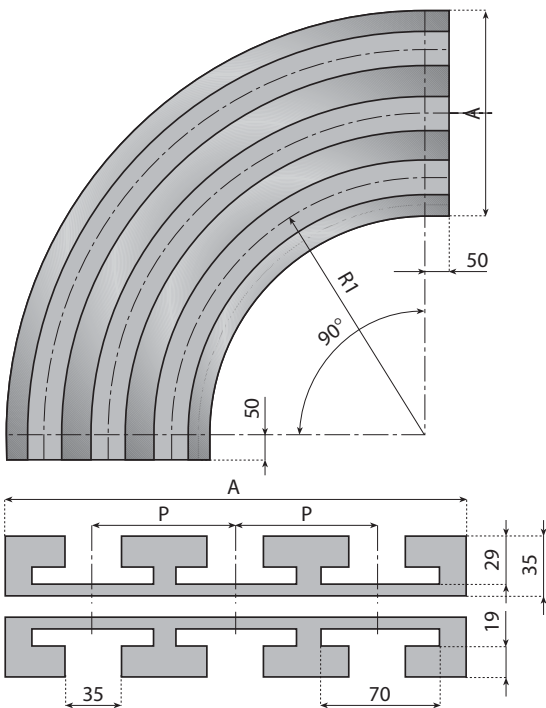
For further  
information  
see page 74 - 75

- More tracks available on request.
- Material: UHMW- PE**, colour: black.
- Material: Nolu-S**, colour: light grey.
- Supply:** corner tracks are supplied complete with carry and return plates.

# CORNER TRACKS for TAB chains series

## 1863 - 1873 - 1874

FOR CORNER TRACKS IN **NOLU-S** MATERIAL,  
JUST ADD "NS" TO PART NUMBER. EXAMPLE CODE "190060NS"



For chains type see  
Conveyor Chains - Belts  
catalogue



For steel chains,  
type:  
1874



For plastic chains,  
type:  
1863 • 1873

**NOW AVAILABLE IN**

**"NOLU-S"**

**MATERIAL !**

For further  
information  
see page 74 - 75

Chains K225 pitch 70 mm						
Tracks	Total Width A mm	Radius R1 = 380	Radius R1 = 500	Radius R1 = 610	Radius R1 = 800	Radius R1 = 1000
1	75	190060	190064	190068	190072	190076
2	145	190061	190065	190069	190073	190077
3	215	190062	190066	190070	190074	190078
4	285	190063	190067	190071	190075	190079

Chains K325 pitch 85 mm						
Tracks	Total Width A mm	Radius R1 = 380	Radius R1 = 500	Radius R1 = 610	Radius R1 = 800	Radius R1 = 1000
1	100	190080	19217	19221	19225	19229
2	185	190081	19218	19222	19226	19230
3	270	190082	19219	19223	19227	19231
4	355	190083	19220	19224	19228	19232

Chains K325 pitch 90 mm						
Tracks	Total Width A mm	Radius R1 = 500	Radius R1 = 610	Radius R1 = 650	Radius R1 = 800	Radius R1 = 1000
1	100	19217	19221	190092	19225	19229
2	190	190085	190089	190093	190097	190101
3	280	190086	190090	190094	190098	190102
4	370	190087	190091	190095	190099	190103

Chains K450 pitch 120 mm						
Tracks	Total Width A mm	Radius R1 = 380	Radius R1 = 500	Radius R1 = 610	Radius R1 = 800	Radius R1 = 1000
1	130	190104	19233	19235	19237	19239
2	250	190105	19234	19236	19238	19240
3	370	190106	190108	190110	190112	190114
4	490	190107	190109	190111	190113	190115

Chains K600 pitch 160 mm						
Tracks	Total Width A mm	Radius R1 = 500	Radius R1 = 610	Radius R1 = 650	Radius R1 = 800	Radius R1 = 1000
1	170	19241	19243	190116	19245	19247
2	330	19242	19244	190117	19246	19248
3	490	190118	190120	190122	190124	190126
4	650	190119	190121	190123	190125	190127

Chains K750 pitch 195 mm						
Tracks	Total Width A mm	Radius R1 = 500	Radius R1 = 610	Radius R1 = 650	Radius R1 = 800	Radius R1 = 1000
1	200	19249	19251	190128	19253	19255
2	395	19250	19252	190129	19254	19256
3	590	190130	190132	190134	190136	190138
4	785	190131	190133	190135	190137	190139

Chains K1000 pitch 260 mm						
Tracks	Total Width A mm	Radius R1 = 500	Radius R1 = 610	Radius R1 = 650	Radius R1 = 800	Radius R1 = 1000
1	270	19257	19259	190140	19261	19263
2	530	19258	19260	190141	19262	19264

Chains K1200 pitch 310 mm						
Tracks	Total Width A mm	Radius R1 = 610	Radius R1 = 650	Radius R1 = 750	Radius R1 = 800	Radius R1 = 1000
1	320	19267	19265	190142	19269	19271
2	630	19268	19266	190143	19270	19272

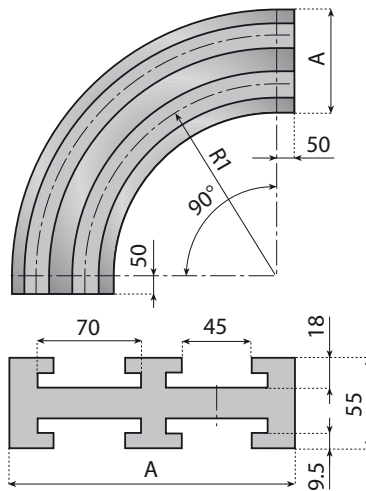
• More tracks available on request.

**Material: UHMW- PE**, colour: black.

**Material: Nolu-S**, colour: light grey.

**Supply:** corner tracks are supplied complete with carry and return plates.

## COMPACT CORNER TRACKS for TAB chains **878 TAB - 879 TAB** **880 TAB - 881 TAB - 8810 TAB - 2250TAB - 2251 TAB**



For chains type see  
Conveyor Chains - Belts  
catalogue



For chains type see  
Conveyor Chains  
catalogue



For plastic chains, type:  
**878 TAB • 879 TAB**  
**880 TAB**  
**2250 TAB • 2251 TAB**

**NOW AVAILABLE IN**

**"NOLU-S"**

**MATERIAL !**

[For further information see page 74 - 75](#)

**FOR CORNER TRACKS IN NOLU-S MATERIAL, JUST ADD "NS" TO PART NUMBER. EXAMPLE CODE "19106NS"**

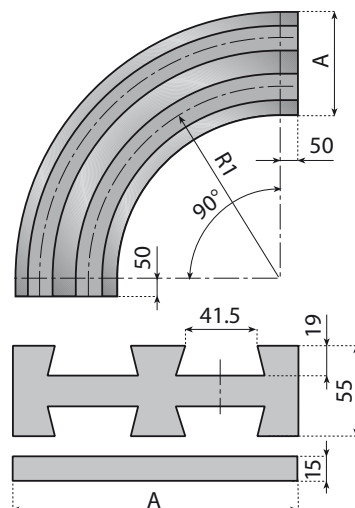
Chains ref.	Tracks	CODE	A	Radius R1	Pitch
K325	1	19106	100	500	90
	2	19107	190		
K450	1	19108	130	610	120
	2	19109	250		

**Material: UHMW- PE**, colour: black.

**Material: Nolu-S**, colour: light grey.

**Supply:** 1 piece.

## COMPACT CORNER TRACKS for chains BEVEL chains series **879 - 880 - 881 - 8810**



For chains type see  
Conveyor Chains - Belts  
catalogue



For steel chains,  
type:  
**881 • 8810**



For plastic chains,  
type:  
**879 • 880**

**NOW AVAILABLE IN**

**"NOLU-S"**

**MATERIAL !**

[For further information see page 74 - 75](#)

**FOR CORNER TRACKS IN NOLU-S MATERIAL, JUST ADD "NS" TO PART NUMBER. EXAMPLE CODE "19106BNS"**

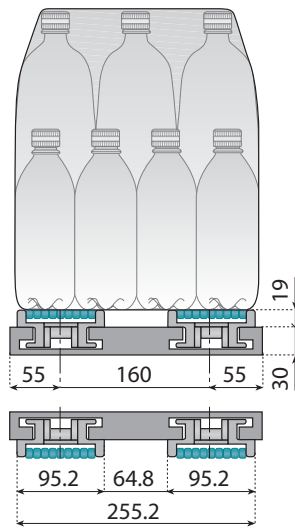
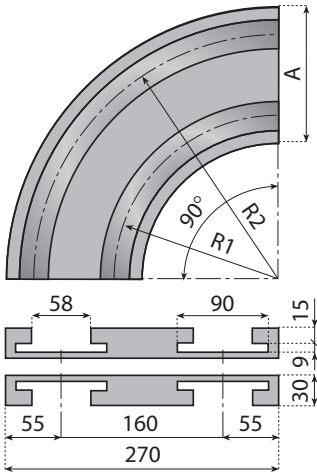
Chains ref.	Tracks	CODE	A	Radius R1	Pitch
K325	1	19106B	100	500	90
	2	19107B	190		
K450	1	19108B	130	610	120
	2	19109B	250		

**Material: UHMW- PE**, colour: black.

**Material: Nolu-S**, colour: light grey.

**Supply:** 2 pieces.

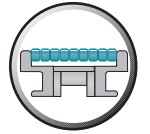
## CORNER TRACKS for chains series **LBP 882 k375**



NOW AVAILABLE IN  
"NOLU-S"  
MATERIAL !



For chains type see  
Conveyor Chains - Belts  
catalogue



For plastic chains,  
type:  
**LBP 882 K375**

For further  
information  
see page 74 - 75

**Material: UHMW- PE**, colour: black.

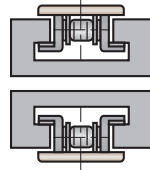
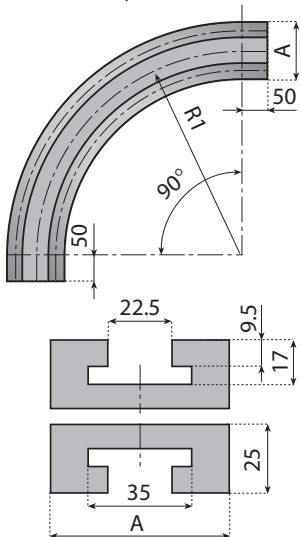
**Material: Nolu-S**, colour: light grey.

**Supply:** corner tracks are supplied complete with carry and return plates.

FOR CORNER TRACKS IN NOLU-S MATERIAL,  
JUST ADD "NS" TO PART NUMBER. EXAMPLE CODE "19101NS"

FOR CHAINS WIDTH	CODE	A	TRACKS	R1	R2
K375	19101	270	2	700	860

## COMPACT CORNER TRACKS for chains **1843**



NOW AVAILABLE IN  
"NOLU-S"  
MATERIAL !



For chains type see  
Conveyor Chains - Belts  
catalogue



For plastic chains,  
type:  
**1843**

For further  
information  
see page 74 - 75

FOR CORNER TRACKS IN NOLU-S MATERIAL,  
JUST ADD "NS" TO PART NUMBER. EXAMPLE CODE "19396NS"

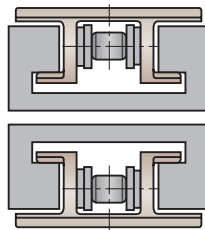
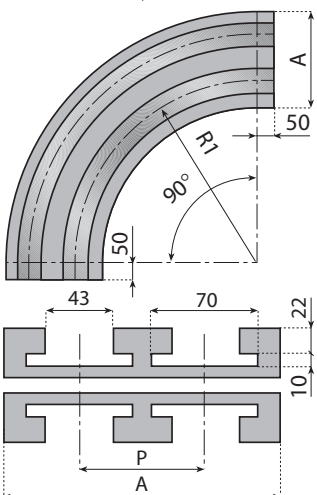
FOR CHAINS WIDTH	CODE	A	Radius R1
K125	19396	50	300
	19397		500
K200	19396L	70	300
	19397L		500

**Material: UHMW- PE**, colour: black.

**Material: Nolu-S**, colour: light grey.

**Supply:** corner tracks are supplied complete with carry and return plates.

## COMPACT CORNER TRACKS for chains **1883**



NOW AVAILABLE IN  
"NOLU-S"  
MATERIAL !



For chains type see  
Conveyor Chains - Belts  
catalogue



For plastic chains,  
type:  
**1883**

For further  
information  
see page 74 - 75

FOR CORNER TRACKS IN NOLU-S MATERIAL,  
JUST ADD "NS" TO PART NUMBER. EXAMPLE CODE "19110NS"

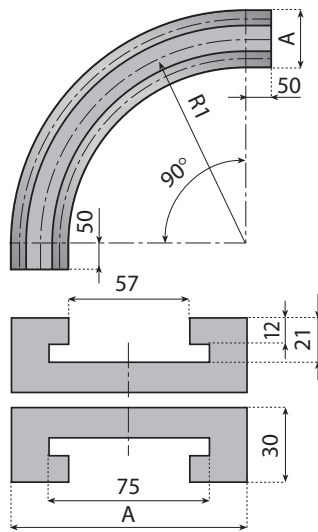
Chains ref.	CODE	A	Radius R1	Pitch
K325	19110	100	750	90
	19111	190		

**Material: UHMW- PE**, colour: black.

**Material: Nolu-S**, colour: light grey.

**Supply:** corner tracks are supplied complete with carry and return plates.

## For multiflex chains **1701 TAB - 1701 TAB OP** **7000 TAB - 7001 TAB - 7005 TAB**



Now available in  
**"NOLU-S"**  
MATERIAL !

[For further information see page 74 - 75](#)



For chains type see  
Conveyor Chains - Belts  
catalogue



For plastic chains,  
type:  
1701 TAB - 1701 TAB OP  
7000 TAB - 7001 TAB  
7005 TAB

**Material: UHMW-PE**, colour: black.

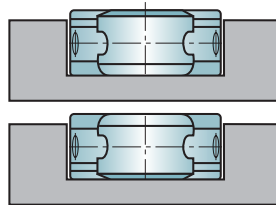
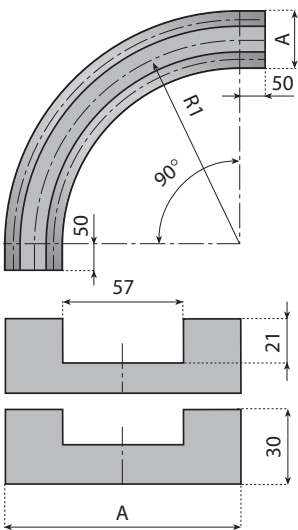
**Material: Nolu-S**, colour: light grey.

**Supply:** corner tracks are supplied complete with carry and return plates.

**FOR CORNER TRACKS IN NOLU-S MATERIAL,  
JUST ADD "NS" TO PART NUMBER. EXAMPLE CODE "19390NS"**

CHAINS REF.	CODE	A	Radius R1
K55	19390	100	250
	19391	100	500

## For multiflex chains **1700 - 1702 (M)** **HMGK (FN-MS-P-M) - 7000 - 7001 - 7005**

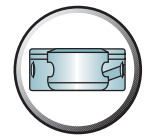


Now available in  
**"NOLU-S"**  
MATERIAL !

[For further information see page 74 - 75](#)



For chains type see  
Conveyor Chains - Belts  
catalogue



For plastic chains,  
type:  
1700 - 1702(M)  
HMGK (FN-MS-P-M)  
7000 - 7001 - 7005

**Material: UHMW-PE**, colour: black.

**Material: Nolu-S**, colour: light grey.

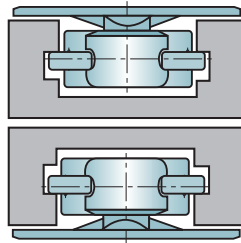
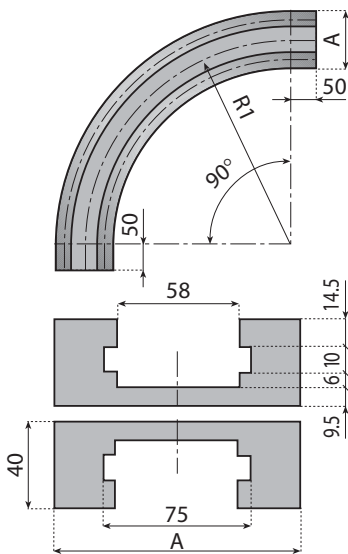
**Supply:** corner tracks are supplied complete with carry and return plates.

**FOR CORNER TRACKS IN NOLU-S MATERIAL,  
JUST ADD "NS" TO PART NUMBER. EXAMPLE CODE "19113NS"**

CHAINS REF.	CODE	A	Radius R1
K55	19113	100	250
	19114		500

# CORNER TRACKS for crescent multiflex chains

## HMGK 50 TAB H1 - HMGK 50 TAB H2



For chains type see  
Conveyor Chains - Belts  
catalogue



For plastic chains,  
type:  
HMGK 50 TAB H1  
HMGK 50 TAB H2

**NOW AVAILABLE IN**  
**"NOLU-S"**  
**MATERIAL !**

For further  
information  
[see page 74 - 75](#)

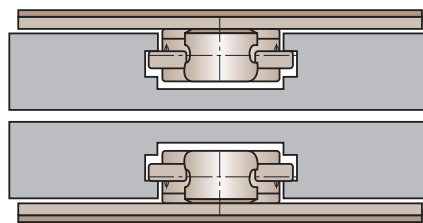
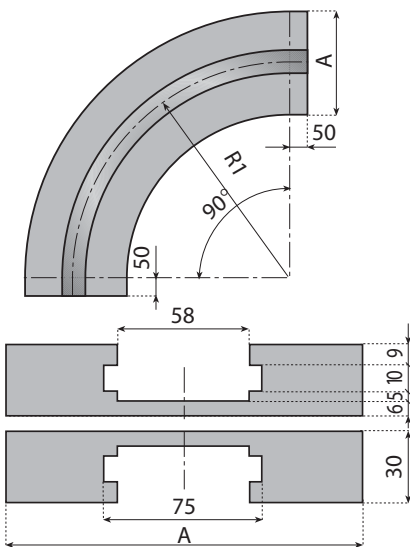
**Material: UHMW-PE**, colour: black.  
**Material: Nolu-S**, colour: light grey.  
**Supply:** corner tracks are supplied complete with carry and return plates.

**FOR CORNER TRACKS IN NOLU-S MATERIAL,  
JUST ADD "NS" TO PART NUMBER. EXAMPLE CODE "19115NS"**

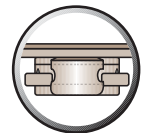
FOR CHAINS WIDTH	CODE	A	Radius R1
HMGK 50 TAB H1	19115	110	250
HMGK 50 TAB H2	19116	200	500

# For overlapping top plate multiflex chain

## HMGK 50 TAB P1 - HMGK 50 TAB P2



For chains type see  
Conveyor Chains - Belts  
catalogue



For plastic chains, type:  
HMGK 50 TAB P1  
HMGK 50 TAB P2

**NOW AVAILABLE IN**  
**"NOLU-S"**  
**MATERIAL !**

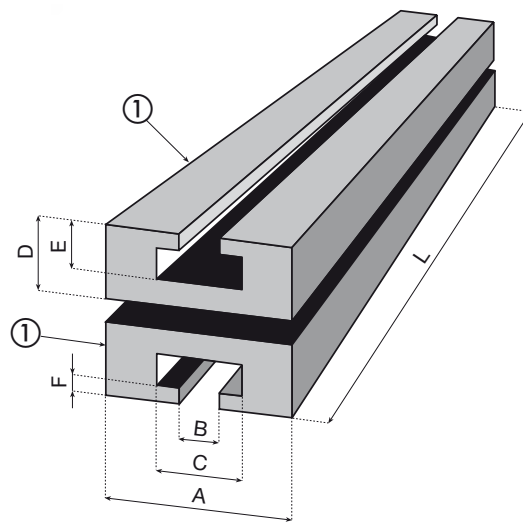
For further  
information  
[see page 74 - 75](#)

**Material: UHMW-PE**, colour: black.  
**Material: Nolu-S**, colour: light grey.  
**Supply:** 2 piece.

**FOR CORNER TRACKS IN NOLU-S MATERIAL,  
JUST ADD "NS" TO PART NUMBER. EXAMPLE CODE "19117NS"**

FOR CHAINS WIDTH	CODE	A	Radius R1
HMGK 50 TAB P1	19117	200	550
HMGK 50 TAB P2	19118	270	

# STRAIGHT TRACK SECTION for TAB chains 878 TAB - 879 TAB 880 TAB - 881 TAB - 881OTAB - 2250TAB - 2251 TAB



For chains type see  
Conveyor Chains - Belts  
catalogue



For steel chains, type:  
815 TAB  
881 TAB • 8810 TAB

**NOW AVAILABLE IN**  
"NOLU-S"  
MATERIAL !

For further  
information  
see page 74 - 75



For plastic chains, type:  
878 TAB • 879 TAB  
880 TAB  
2250 TAB • 2251 TAB

**FOR STRAIGHT TRACKS IN NOLU-S MATERIAL, JUST ADD "NS" TO PART NUMBER. EXAMPLE CODE**

① STRAIGHT TRACK SECTION - 1 PIECE

CHAINS REF.	CODE	A	B	C	D	E	F	L
K325	19350	100						
K450	19351	130	45	67	25	18	9.5	2000
K750	19352	200						

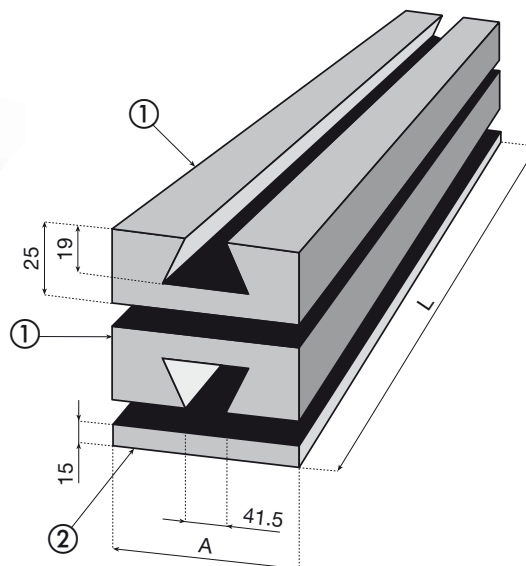
• More tracks available on request.

**Material:** UHMW- PE, colour: black.

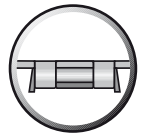
**Material:** Nolu-S, colour: light grey.

**Supply:** 1 piece; straight tracks can be used as carry or return track.

# STRAIGHT TRACK SECTION for BEVEL chains 879 - 880 - 881 - 8810



For chains type see  
Conveyor Chains - Belts  
catalogue



For steel chains,  
type:  
881 • 8810

**NOW AVAILABLE IN**  
"NOLU-S"  
MATERIAL !

For further  
information  
see page 74 - 75



For plastic chains, type:  
879 • 880

**FOR STRAIGHT TRACKS IN NOLU-S MATERIAL, JUST ADD "NS" TO PART NUMBER. EXAMPLE CODE "19370NS"**

① CARRY/RETURN TRACK SECTION - 1 PIECE

CHAINS REF.	CODE	A	L
K325	19370	100	
K450	19372	130	2000
K750	19374	200	

② RETURN PLATE - 1 PIECE

CHAINS REF.	CODE	A	L
K325	19371	100	
K450	19373	130	2000
K750	19375	200	

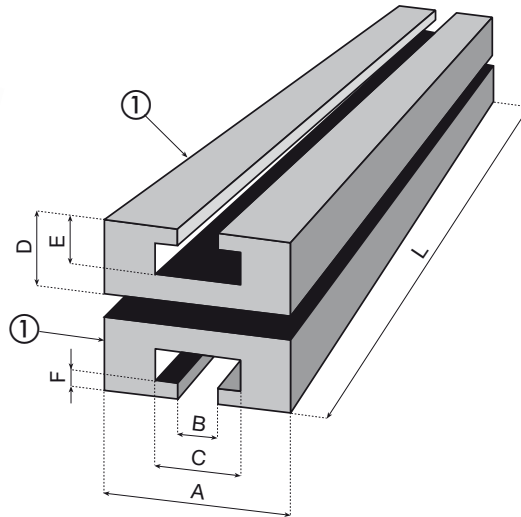
• More tracks available on request.

**Material:** UHMW- PE, colour: black.

**Material:** Nolu-S, colour: light grey.

**Supply:** 1 piece; straight tracks can be used as carry or return track.  
Support plate to be ordered separately.

## STRAIGHT TRACK SECTION for TAB chains series 882 TAB - LBP 882 TAB - 882 TAB VG



For chains type see  
Conveyor Chains - Belts  
catalogue



For steel chains, type:  
882 TAB

**NOW AVAILABLE IN  
"NOLU-S"  
MATERIAL !**

[For further  
information  
see page 74 - 75](#)

**FOR STRAIGHT TRACKS IN NOLU-S MATERIAL, JUST ADD "NS" TO PART NUMBER. EXAMPLE CODE "19359NS"**

① STRAIGHT TRACK SECTION - 1 PIECE								
CHAINS REF.	CODE	A	B	C	D	E	F	L
K375	19359	110	60	84	30	24	15	2000
K450	19360	130						
K750	19361	200						
K1000	19362	270						
K1200	19363	320						

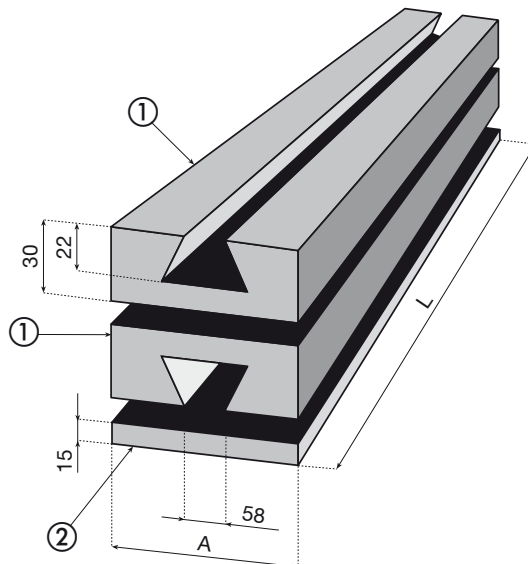
• More tracks available on request.

**Material:** UHMW- PE, colour: black.

**Material:** Nolu-S, colour: light grey.

**Supply:** 1 piece; straight tracks can be used as carry or return track.

## STRAIGHT TRACK SECTION for BEVEL chains 882 BEVEL



For chains type see  
Conveyor Chains - Belts  
catalogue



For steel chains,  
type:  
882 BEVEL

**NOW AVAILABLE IN  
"NOLU-S"  
MATERIAL !**

[For further  
information  
see page 74 - 75](#)

**FOR STRAIGHT TRACKS IN NOLU-S MATERIAL, JUST ADD "NS" TO PART NUMBER. EXAMPLE CODE "19353NS"**

① CARRY/RETURN TRACK SECTION - 1 PIECE			
CHAINS REF.	CODE	A	L
K450	19353	130	2000
K750	19354	200	
K1000	19355	270	

② RETURN PLATE - 1 PIECE			
CHAINS REF.	CODE	A	L
K450	19373	130	2000
K750	19375	200	
K1000	19358	270	

• More tracks available on request.

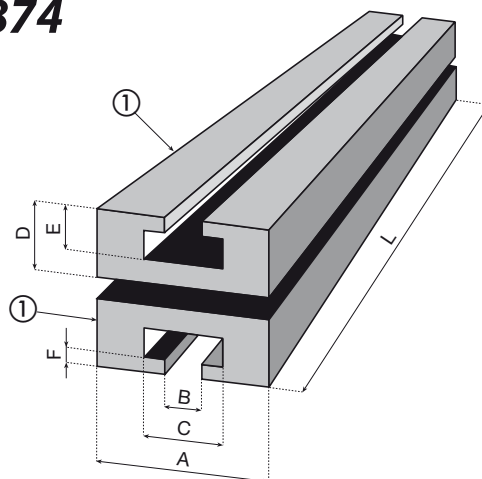
**Material:** UHMW- PE, colour: black.

**Material:** Nolu-S, colour: light grey.

**Supply:** 1 piece; straight tracks can be used as carry or return track.

Support plate to be ordered separately.

# STRAIGHT TRACK SECTION for chains series 1863 - 1873 - 1874



For chains type see  
Conveyor Chains - Belts  
catalogue



For steel chains, type:  
1874

Now AVAILABLE IN  
"NOLU-S"  
MATERIAL !



For plastic  
chains, type:  
1863 • 1873

For further  
information  
see page 74 - 75

FOR STRAIGHT TRACKS IN NOLU-S MATERIAL, JUST ADD "NS" TO PART NUMBER. EXAMPLE CODE "19406NS"

① STRAIGHT TRACK SECTION - 1 PIECE								
CHAINS REF.	CODE	A	B	C	D	E	F	L
K225	19406	75	35	67	35	29	19	2000
K325	19400	100		70				
K450	19401	130						
K600	19402	170						
K750	19403	200						
K1000	19404	270						
K1200	19405	320						

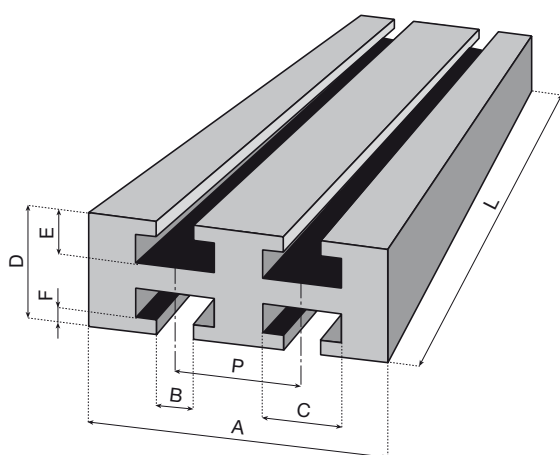
• More tracks available on request.

**Material:** UHMW- PE, colour: black.

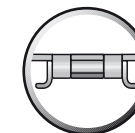
**Material:** Nolu-S, colour: light grey.

**Supply:** 1 piece; straight tracks can be used as carry or return track.

# COMPACT STRAIGHT TRACK SECTION for TAB chains series 878 TAB - 879 TAB 880 TAB - 881 TAB - 8810 TAB - 2250 TAB - 2251 TAB

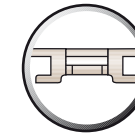


For chains type see  
Conveyor Chains - Belts  
catalogue



For steel chains, type:  
881 TAB  
8810 TAB

Now AVAILABLE IN  
"NOLU-S"  
MATERIAL !



For plastic chains,  
type:  
878 TAB • 879 TAB  
880 TAB  
2250 TAB • 2251 TAB

For further  
information  
see page 74 - 75

FOR STRAIGHT TRACKS IN NOLU-S MATERIAL, JUST ADD "NS" TO PART NUMBER. EXAMPLE CODE "19424NS"

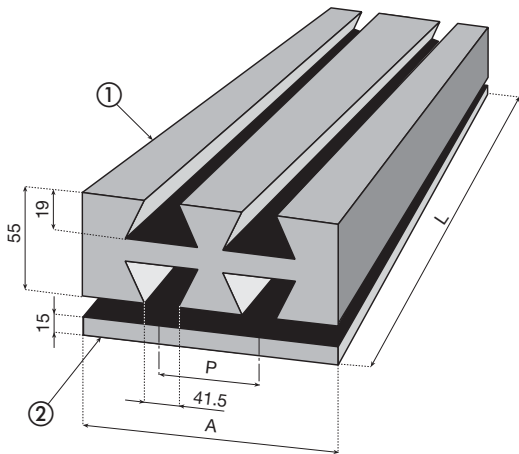
CHAIN REF.	CODE	TRACKS	A	B	C	D	E	F	P	L
K325	19424	1	100	45	67	55	18	9.5	90	2000
	19425		190							
K450	19426	2	130							
	19427		250						120	

**Material:** UHMW- PE, colour: black.

**Material:** Nolu-S, colour: light grey.

**Supply:** 1 piece.

# COMPACT STRAIGHT TRACK SECTION for chains series 879 - 880 - 881 - 8810



For chains type see  
Conveyor Chains - Belts  
catalogue



For steel chains, type:  
881 • 8810

**NOW AVAILABLE IN**  
"NOLU-S"  
MATERIAL !

For further  
information  
[see page 74 - 75](#)



For plastic  
chains, type:  
879 • 880

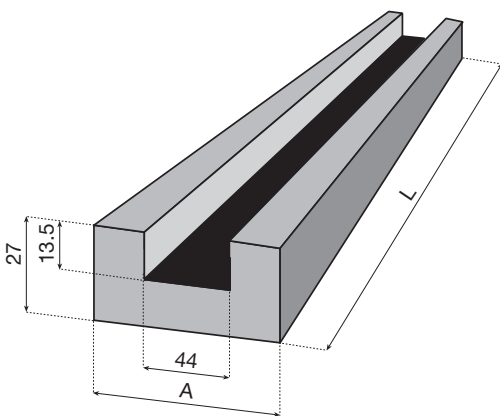
**FOR STRAIGHT TRACKS IN NOLU-S MATERIAL, JUST ADD "NS" TO PART NUMBER. EXAMPLE CODE "19428NS"**

**Material:** UHMW- PE, colour: black.  
**Material:** Nolu-S, colour: light grey.  
**Supply:** 1 piece; carry return sections and  
return plates are supplied separately.

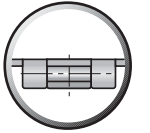
① CARRY RETURN - 1 PIECE				
CHAIN REF.	CODE	A	P	L
K325	19428	100	90	2000
	19429	190		
K450	19430	130	120	2000
	19431	250		

② RETURN PLATE 1 PIECE				
CHAIN REF.	CODE	A	P	L
K325	19371	100	90	2000
	19433	190		
K450	19373	130	120	2000
	19435	250		

# STRAIGHT TRACK SECTION for MAGNETIC chains series 879 M - 879 M VG - 880 M - 881 M



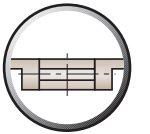
For chains type see  
Conveyor Chains - Belts  
catalogue



For steel chains, type:  
881 M

**NOW AVAILABLE IN**  
"NOLU-S"  
MATERIAL !

For further  
information  
[see page 74 - 75](#)



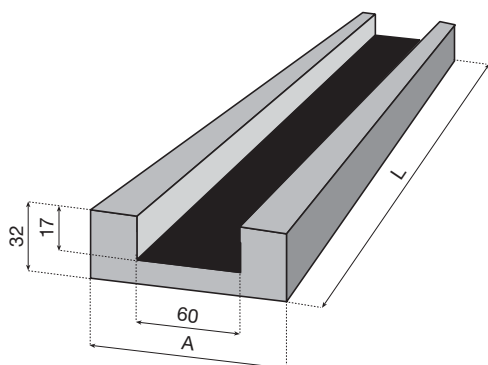
For plastic chains,  
type:  
879 M • 880 M

**FOR STRAIGHT TRACKS IN NOLU-S MATERIAL, JUST ADD "NS" TO PART NUMBER. EXAMPLE CODE "19436NS"**

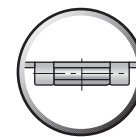
**Material:** UHMW- PE, colour: black.  
**Material:** Nolu-S, colour: light grey.  
**Supply:** 1 piece.

CHAIN REF.	CODE	A	L
K325	19436	100	2000
	19437	111	
K450	19438	129	
K750	19439	214	

## STRAIGHT TRACK SECTION for MAGNETIC chains series 8857 M - 8857 M VG - 882 M - LBP 882 M - 882 M VG



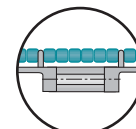
For chains type see  
Conveyor Chains - Belts  
catalogue



For steel chains, type:  
8857 M

**NOW AVAILABLE IN**  
"NOLU-S"  
**MATERIAL !**

For further  
information  
[see page 74 - 75](#)



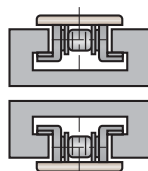
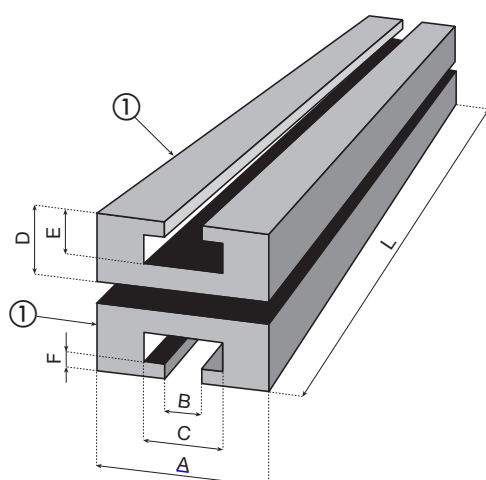
For plastic  
chains, type:  
882 M

FOR STRAIGHT TRACKS IN NOLU-S MATERIAL, JUST ADD "NS" TO PART NUMBER. EXAMPLE CODE "19440NS"

CHAIN REF.	CODE	A	L
K750	19440	200	2000
K1000	19441	270	
K1200	19442	320	

**Material:** UHMW- PE, colour: black.  
**Material:** Nolu-S, colour: light grey.  
**Supply:** 1 piece; carry return sections and  
return plates are supplied separately.

## STRAIGHT TRACK SECTION for TAB chains series 1843



For chains type see  
Conveyor Chains - Belts  
catalogue



For plastic chains, type:  
1843

**NOW AVAILABLE IN**  
"NOLU-S"  
**MATERIAL !**

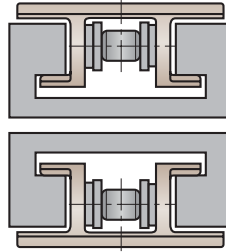
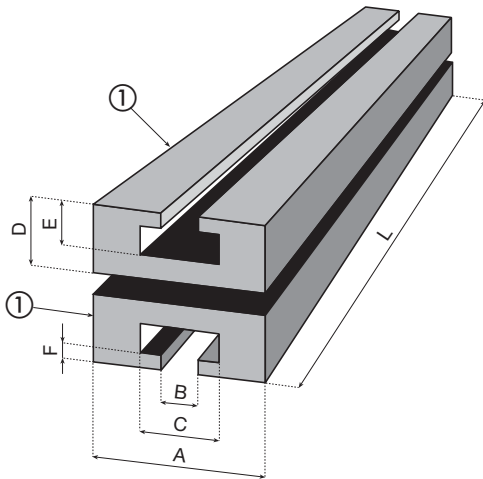
For further  
information  
[see page 74 - 75](#)

FOR STRAIGHT TRACKS IN NOLU-S MATERIAL, JUST ADD "NS" TO PART NUMBER. EXAMPLE CODE "19410NS"

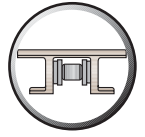
① STRAIGHT TRACK SECTION - 1 PIECE								
CHAIN REF.	CODE	A	B	C	D	E	F	L
K125	19410	50	22.5	35	25	17	9.5	2000
K200	19411	70	22.3					

**Material:** UHMW- PE, colour: black.  
**Material:** Nolu-S, colour: light grey.  
**Supply:** 1 piece.

# STRAIGHT TRACK SECTION for chains series 1883



For chains type see  
Conveyor Chains - Belts  
catalogue



For plastic chains,  
type:  
1883

**NOW AVAILABLE IN  
"NOLU-S"  
MATERIAL !**

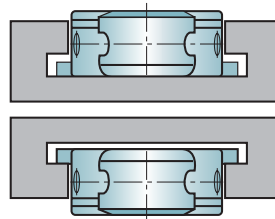
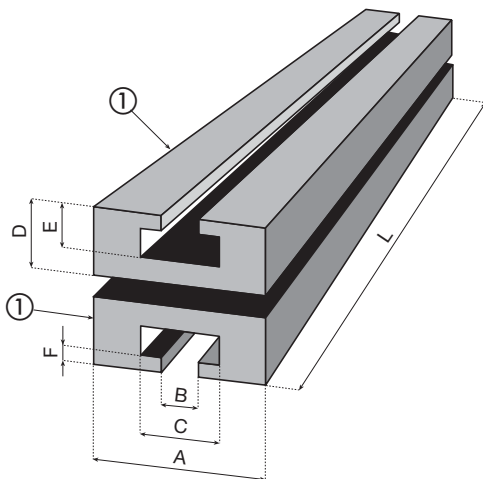
[For further  
information  
see page 74 - 75](#)

**FOR STRAIGHT TRACKS IN NOLU-S MATERIAL, JUST ADD "NS" TO PART NUMBER. EXAMPLE CODE "19412NS"**

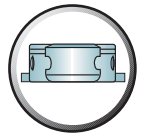
① STRAIGHT TRACK SECTION - 1 PIECE								
CHAIN REF.	CODE	A	B	C	D	E	F	L
K325	<b>19412</b>	100	44	70	40	32	22	2000

**Material:** UHMW- PE, colour: black.  
**Material:** Nolu-S, colour: light grey.  
**Supply:** 1 piece.

# STRAIGHT TRACK SECTION for chains series 1701 TAB - 1701 TAB OP - 7000 TAB - 7001 TAB - 7005 TAB



For chains type see  
Conveyor Chains - Belts  
catalogue



For steel chains, type:  
1701 TAB • 1701 TAB OP  
7000 TAB • 7001 TAB  
7005 TAB

**NOW AVAILABLE IN  
"NOLU-S"  
MATERIAL !**

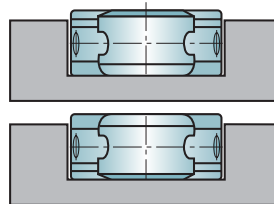
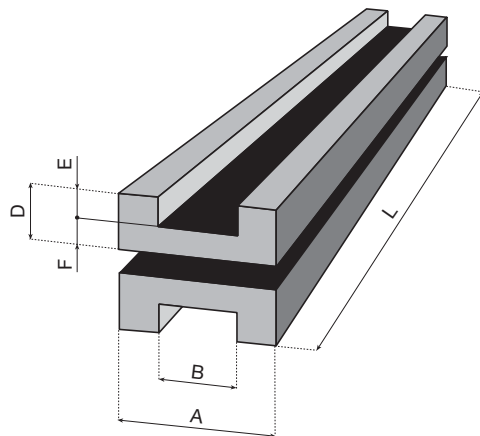
[For further  
information  
see page 74 - 75](#)

**FOR STRAIGHT TRACKS IN NOLU-S MATERIAL, JUST ADD "NS" TO PART NUMBER. EXAMPLE CODE "19386NS"**

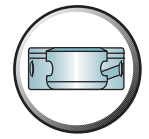
① STRAIGHT TRACK SECTION - 1 PIECE								
CHAIN REF.	CODE	A	B	C	D	E	F	L
K55	<b>19386</b>	100	58	75	30	21	12	2000

**Material:** UHMW- PE, colour: black.  
**Material:** Nolu-S, colour: light grey.  
**Supply:** 1 piece.

## STRAIGHT TRACK SECTION for chains series 1700 - 1702 (M) - HMGK 50 (FN-MS-P-M) - 7000 - 7001 - 7005



For chains type see  
Conveyor Chains - Belts  
catalogue



For steel chains, type:  
1700 • 1702 (M)  
HMGK 50 (FN-MS-P-M)  
7000 • 7001 • 7005

**NOW AVAILABLE IN**  
**"NOLU-S"**  
**MATERIAL !**

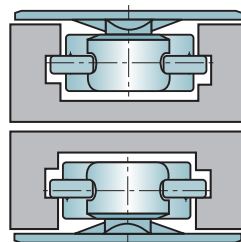
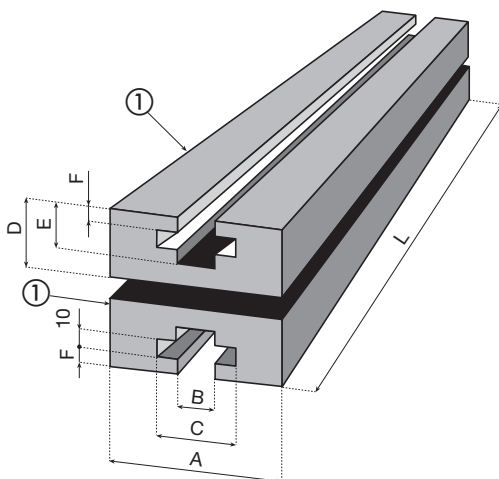
For further  
information  
see page 74 - 75

FOR STRAIGHT TRACKS IN NOLU-S MATERIAL, JUST ADD "NS" TO PART NUMBER. EXAMPLE CODE "19381NS"

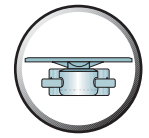
① STRAIGHT TRACK SECTION - 1 PIECE							
CHAIN REF.	CODE	A	B	D	E	F	L
K55	19381	100	58	30	21	9	2000

**Material:** UHMW- PE, colour: black.  
**Material:** Nolu-S, colour: light grey.  
**Supply:** 1 piece.

## STRAIGHT TRACK SECTION for chains series HMGK 50 TAB H1 - HMGK 50 TAB H2



For chains type see  
Conveyor Chains - Belts  
catalogue



For steel chains, type:  
HMGK 50 TAB H1  
HMGK 50 TAB H2

**NOW AVAILABLE IN**  
**"NOLU-S"**  
**MATERIAL !**

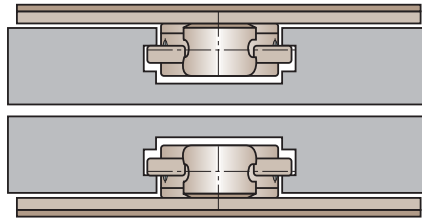
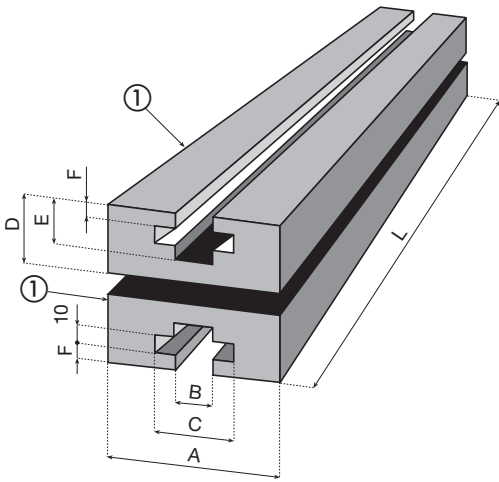
For further  
information  
see page 74 - 75

FOR STRAIGHT TRACKS IN NOLU-S MATERIAL, JUST ADD "NS" TO PART NUMBER. EXAMPLE CODE "19420NS"

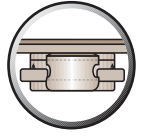
① STRAIGHT TRACK SECTION - 1 PIECE								
CHAIN REF.	CODE	A	B	C	D	E	F	L
HMGK 50 TAB H1	19420	110	58	75	40	30.5	14.5	2000
HMGK 50 TAB H2	19421	200						

**Material:** UHMW- PE, colour: black.  
**Material:** Nolu-S, colour: light grey.  
**Supply:** 1 piece.

# STRAIGHT TRACK SECTION for overlapping top plate multiflex chains series **HMGK 50 TAB P1 - HMGK 50 TAB P2**



For chains type see  
Conveyor Chains - Belts  
catalogue



For steel chains, type:  
**HMGK 50 TAB P1**  
**HMGK 50 TAB P2**

**NOW AVAILABLE IN**  
**"NOLU-S"**  
**MATERIAL !**

[For further information see page 74 - 75](#)

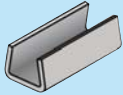
**Material: UHMW- PE**, colour: black.  
**Material: Nolu-S**, colour: light grey.  
**Supply: 1 piece.**

**FOR STRAIGHT TRACKS IN NOLU-S MATERIAL, JUST ADD "NS" TO PART NUMBER. EXAMPLE CODE "19422NS"**

① STRAIGHT TRACK SECTION - 1 PIECE								
CHAIN REF.	CODE	A	B	C	D	E	F	L
HMGK 50 TAB P1	<b>19422</b>	200	58	75	30	24	9	2000
HMGK 50 TAB P2	<b>19423</b>	270						

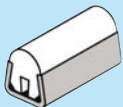
# Conical side guides

The conical guide rail incorporates two outstanding materials: stainless steel and UHMW. The stainless steel sheath provides rigid streamlined support for heavy loads at any speed, plus a solid connecting point for holding the rail in place with clamps and brackets. The UHMW guiding surface is available in a wide selection of shapes. The very low friction characteristics of UHMW allow containers to move at high speed with a minimum of drag, container damage, and noise. Materials are approved by the FDA and accepted for use in USDA inspected facilities.



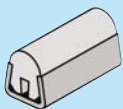
## METAL PROFILE

Metal profile is typically in stainless steel AISI 304 ( AISI 316 on the request), used for its excellent resistance to corrosion and long lasting attractive appearance. Galvanized steel can be ordered as an economical alternative to stainless steel.



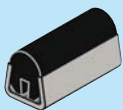
## STANDARD VERSION

**Natural UHMW** - The manufacturing process allows the use of UHMW without additives or other processing chemicals. The result is a material that resists abrasion better, is more color stable (less prone to yellowing) and of uniform consistency. Available in two colors black and white.



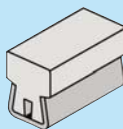
## SELF LUBRICATED VERSION

**Nolu-S UHMW** - Battleship grey color. A lubricant system is added to our standard UHMW during processing to give it reduced friction while maintaining all other physical properties. The coefficient of friction Nolu-S material is ca 35% lower as standard. The PV-limit for chain is at least 2 times the standard value for UHMW.



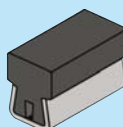
## VERSION WITH IMPROVED ELECTROSTATIC CONDUCTIVITY

**Static Dissipating UHMW** - Special formulation retains the low friction and wear characteristics of UHMW while effectively reducing problems caused by static. Color: black.



## VERSION FOR HIGH TEMPERATURE

High temperature. Special developed material to operate under high temperatures. The HT profiles are designed to operate under a continuous temperature of maximum 270°C. Typical applications for HT profiles are: Ovens, cookers, hot fill area, steam chambers, furnace discharge, retorts, fryers, shrink tunnels, pasturizers and steam boxes.



## VERSION WITH NYLATRON INSERT

For applications such as high conveyor speeds, heavy loads or abrasive conditions. Nylatron can be used at continuous temperatures up to 93°C.



Zinc plated steel



AISI 304  
Stainless steel



Polyethylene  
UHMW



Nolu-S



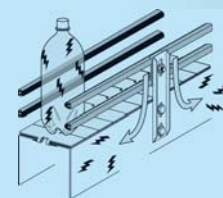
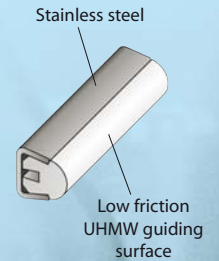
Polyethylene  
UHMW  
Antistatic



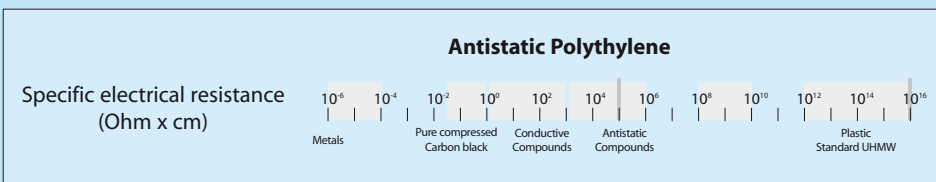
For use in  
high temperatures



Nylatron



Static dissipating UHMW rail provides a conductive pathway to disperse the buildup of static electricity.



SPECIFICATIONS	HI-TEMP MATERIAL	MATERIAL PROFILE
<b>Tensile Strength</b> - ASTM D-1457 (N/mm <sup>2</sup> )	12.6	500
<b>Deformation under load</b> - ASTM D-621 (%)	3.8	-
<b>Coefficient of thermal expansion</b> - ASTM D-696 mm/mm/°Cx10 <sup>-5</sup> )	7.47 ( 37°-120°C ) 12.62 ( 120°-150°C ) 7.47 ( 150°-270°C )	-
<b>Coefficient of friction</b> - ASTM D-1894	0.04	-
<b>Continuous service temperature</b>	270°C	-

# Conical side guides



## CONICAL SIDE GUIDES

### Material:

Extruded ultra high molecular weight polyethylene.  
Max. continuous service temperature in air 90° C.  
Water absorption coefficient = 0.  
Sheath material see the table.

### Notes:

These USDA-approved designs eliminate the chance of contamination by sealing out liquids and debris. As a result, they make it easy to maintain a clean, sanitary surface.

Preferred type, readily available (codes marked in red)



Nolu-S



AISI 304  
Stainless steel



Accessories



Zinc plated steel



Polyethylene  
UHMW



Polyethylene  
antistatic  
UHMW

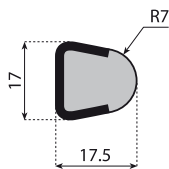
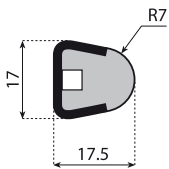


Teflon alloy



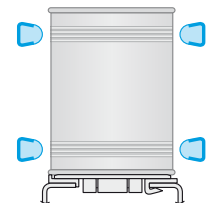
Consult pages  
133 → 137 for  
bending machines

## STANDARD VERSIONS



## SOLID VERSIONS

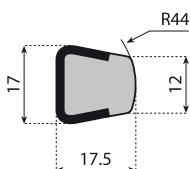
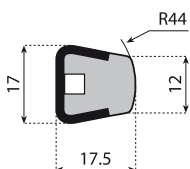
Code			L	Material	Metal profile material	
<b>Standard version</b>	<b>Ref.</b>					
<b>19019</b>	-		3 m	PE		White
<b>19019L</b>	-		6 m	PE		White
<b>19019V</b>	-		3 m	PE		Green
<b>19019VL</b>	-		6 m	PE		Green
<b>19020</b>	-		3 m	PE	SS 304	Black
<b>19020L</b>	-		6 m	PE	SS 304	Black
<b>19020AS</b>	VG-SSR-SD-3M		3 m	PE-as		Black
<b>19020ASL</b>	VG-SSR-SD-6M		6 m	PE-as		Black
<b>19S00145NS-3M</b>	VG-SSR-NS-3M		3 m	Nolu-S		Light Grey
<b>19S00145NS-6M</b>	VG-SSR-NS-6M		6 m	Nolu-S		Light Grey
<b>19021</b>	-		3 m	PE		White
<b>19021L</b>	-		6 m	PE		White
<b>19021V</b>	-		3 m	PE	ZN	Green
<b>19021VL</b>	-		6 m	PE	ZN	Green
<b>19022</b>	-		3 m	PE		Black
<b>19022L</b>	-		6 m	PE		Black
<b>Solid version</b>						
<b>19S00146-3M</b>	VG-SSRS-3M		3 m	PE	SS 304	White
<b>19S00146-6M</b>	VG-SSRS-6M		6 m	PE	SS 304	White



## CONICAL SIDE GUIDES

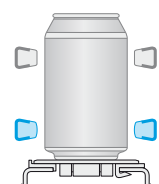
**Weight:** 0.60 Kg/m  
**Packaging:** 30 meters

## STANDARD VERSIONS



## SOLID VERSIONS

Code			L	Material	Metal profile material	
<b>Standard version</b>	<b>Ref.</b>					
<b>19023</b>	-		3 m	PE		White
<b>19023L</b>	-		6 m	PE		White
<b>19024</b>	-		3 m	PE		Black
<b>19024L</b>	-		6 m	PE	SS 304	Black
<b>19024AS</b>	VG-SSM-SD-3M		3 m	PE-as		Black
<b>19024ASL</b>	VG-SSM-SD-6M		6 m	PE-as		Black
<b>19S00129NS-3M</b>	VG-SSM-NS-3M		3 m	Nolu-S		Light Grey
<b>19S00129NS-6M</b>	VG-SSM-NS-6M		6 m	Nolu-S		Light Grey
<b>19025</b>	-		3 m	PE		White
<b>19025L</b>	-		6 m	PE	ZN	White
<b>19026</b>	-		3 m	PE		Black
<b>19026L</b>	-		6 m	PE		Black
<b>Solid version</b>						
<b>19S00130-3M</b>	VG-SSMS-3M		3 m	PE	SS 304	White
<b>19S00130-6M</b>	VG-SSMS-6M		6 m	PE	SS 304	White



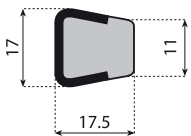
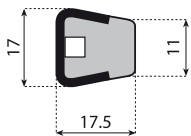
## CONICAL SIDE GUIDES

**Weight:** 0.60 Kg/m  
**Packaging:** 30 meters

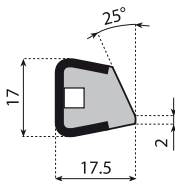
# Conical side guides

Preferred type, readily available (codes marked in red)

## STANDARD VERSIONS



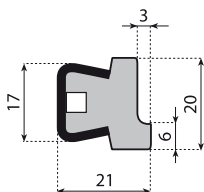
## SOLID VERSIONS



## STANDARD VERSIONS

Weight: 0.55 Kg/m

Packaging: 30 meters



## STANDARD VERSIONS

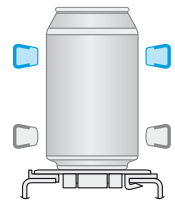
Weight: 0.62 Kg/m

Packaging: 30 meters

Code		Ref.	L	Material	Metal profile material	Paint
Standard version						
<b>19027</b>	-	-	3 m	PE	-	White
<b>19027L</b>	-	-	6 m	PE	-	White
<b>19028</b>	-	-	3 m	PE	-	Black
<b>19028L</b>	-	-	6 m	PE	-	Black
<b>19028AS</b>	VG-SSF-SD-3M	-	3 m	PE-as	SS 304	Black
<b>19028ASL</b>	VG-SSF-SD-6M	-	6 m	PE-as	SS 304	Black
<b>19S00115NS-3M</b>	VG-SSF-NS-3M	-	3 m	Nolu-S	-	Light Grey
<b>19S00115NS-6M</b>	VG-SSF-NS-6M	-	6 m	Nolu-S	-	Light Grey
<b>19S00115HT-3M</b>	VG-SSF-HT-3M	-	3 m	HT	-	-
<b>19029</b>	-	-	3 m	PE	-	White
<b>19029L</b>	-	-	6 m	PE	ZN	White
<b>19030</b>	-	-	3 m	PE	-	Black
<b>19030L</b>	-	-	6 m	PE	-	Black

## Solid version

<b>19S00116-3M</b>	VG-SSFS-3M	-	3 m	PE	SS 304	White
<b>19S00116-6M</b>	VG-SSFS-6M	-	6 m	PE	SS 304	White

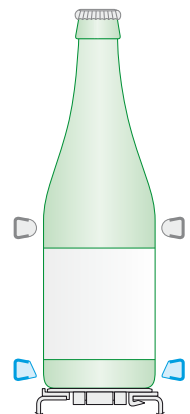


## CONICAL SIDE GUIDES

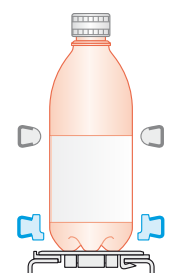
Weight: 0.60 Kg/m

Packaging: 30 meters

Code		Ref.	L	Material	Metal profile material	Paint
Standard version						
<b>19065</b>	-	-	3 m	-	-	White
<b>19065L</b>	-	-	6 m	-	-	White
<b>19066</b>	-	-	3 m	PE	SS 304	Black
<b>19066L</b>	-	-	6 m	PE	SS 304	Black
<b>190249</b>	-	-	3 m	-	-	White
<b>190249L</b>	-	-	6 m	-	-	White
<b>190250</b>	-	-	3 m	PE	ZN	Black
<b>190250L</b>	-	-	6 m	PE	ZN	Black

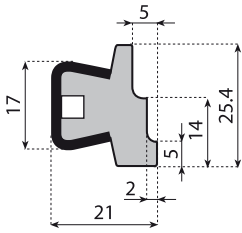


Code		Ref.	L	Material	Metal profile material	Paint
Standard version						
<b>19063W</b>	-	-	3 m	-	-	White
<b>19063WL</b>	-	-	6 m	-	-	White
<b>19063</b>	-	-	3 m	PE	SS 304	Black
<b>19063L</b>	-	-	6 m	PE	SS 304	Black
<b>190251</b>	-	-	3 m	-	-	White
<b>190251L</b>	-	-	6 m	-	-	White
<b>190252</b>	-	-	3 m	PE	ZN	Black
<b>190252L</b>	-	-	6 m	PE	ZN	Black



# Conical side guides

 Preferred type, readily available (codes marked in red)

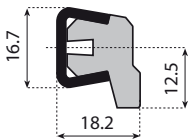
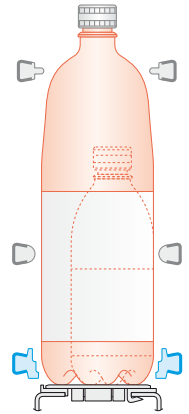


## STANDARD VERSIONS

Weight: 0.72 Kg/m

Packaging: 30 meters

Code		L	Material	Metal profile material	
Standard version	Ref.				
<b>190253</b>	-	3 m			White
<b>190253L</b>	-	6 m	PE	SS 304	White
<b>190254</b>	-	3 m			Black
<b>190254L</b>	-	6 m			Black
<b>190255</b>	-	3 m			White
<b>190255L</b>	-	6 m	PE	ZN	White
<b>190256</b>	-	3 m			Black
<b>190256L</b>	-	6 m			Black

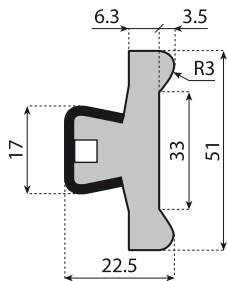
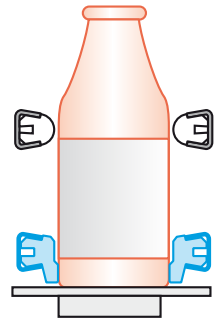


## STANDARD VERSIONS

Weight: 0.65 Kg/m

Packaging: 30 meters

Code		L	Material	Metal profile material	
Standard version	Ref.				
<b>19S00138-3M</b>	VG-SSMT-3M	3 m	PE		White
<b>19S00138-6M</b>	VG-SSMT-6M	6 m	PE	SS 304	White
<b>19S00138SD-3M</b>	VG-SSMT-SD-3M	3 m	PE-as		Black
<b>19S00138SD-6M</b>	VG-SSMT-SD-6M	6 m	PE-as		Black

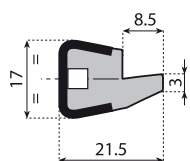
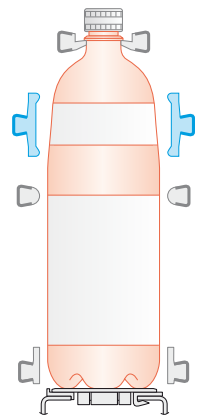


## STANDARD VERSIONS

Weight: 1.05 Kg/m

Packaging: 30 meters

Code		L	Material	Metal profile material	
Standard version	Ref.				
<b>19062</b>	-	3 m			White
<b>19062L</b>	-	6 m	PE	SS 304	White
<b>190257</b>	-	3 m			Black
<b>190257L</b>	-	6 m			Black
<b>190258</b>	-	3 m			White
<b>190258L</b>	-	6 m	PE	ZN	White
<b>190259</b>	-	3 m			Black
<b>190259L</b>	-	6 m			Black

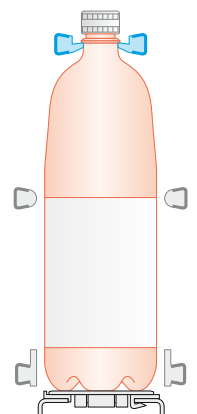


## STANDARD VERSIONS

Weight: 0.62 Kg/m

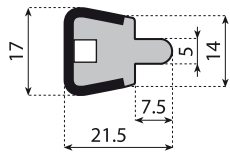
Packaging: 30 meters

Code		L	Material	Metal profile material	
Standard version	Ref.				
<b>19042</b>	-	3 m			White
<b>19042L</b>	-	6 m	PE	SS 304	White
<b>19043</b>	-	3 m			Black
<b>19043L</b>	-	6 m			Black
<b>190260</b>	-	3 m			White
<b>190260L</b>	-	6 m	PE	ZN	White
<b>190261</b>	-	3 m			Black
<b>190261L</b>	-	6 m			Black



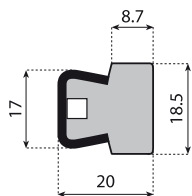
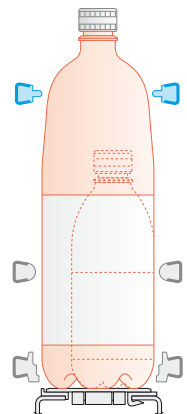
# Conical side guides

Preferred type, readily available (codes marked in red)



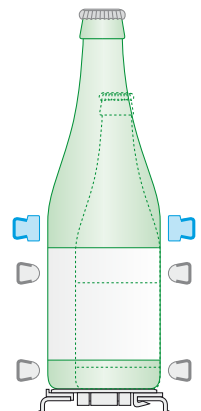
**STANDARD VERSIONS**  
**Weight:** 0.62 Kg/m  
**Packaging:** 30 meters

Code		L	Material	Metal profile material	Paint
Standard version	Ref.				
<b>19099</b>	-	3 m			White
<b>19099L</b>	-	6 m	PE	SS 304	White
<b>190262</b>	-	3 m			Black
<b>190262L</b>	-	6 m			Black
<b>190263</b>	-	3 m			White
<b>190263L</b>	-	6 m	PE	ZN	White
<b>190264</b>	-	3 m			Black
<b>190264L</b>	-	6 m			Black

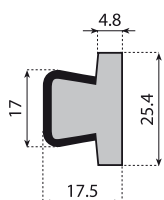
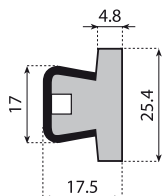


**STANDARD VERSIONS**  
**Weight:** 0.68 Kg/m  
**Packaging:** 30 meters

Code		L	Material	Metal profile material	Paint
Standard version	Ref.				
<b>19057</b>	-	3 m	PE		White
<b>19057L</b>	-	6 m	PE		White
<b>19058</b>	-	3 m	PE		Black
<b>19058L</b>	-	6 m	PE	SS 304	Black
<b>19058AS</b>	VG-SST-.75-SD-3M	3 m	PE-as		Black
<b>19058ASL</b>	VG-SST-.75-SD-6M	6 m	PE-as		Black
<b>19S00153N-3M</b>	VG-SST-N-.75-3M	3 m	Nylatron		Black
<b>190200</b>	-	3 m	PE		White
<b>190200L</b>	-	6 m	PE	ZN	White
<b>190201</b>	-	3 m	PE		Black
<b>190201L</b>	-	6 m	PE		Black

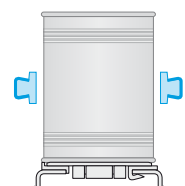


## STANDARD VERSIONS



**SOLID VERSIONS**

Code		L	Material	Metal profile material	Paint
Standard version	Ref.				
<b>190212</b>	-	3 m	PE		White
<b>190212L</b>	-	6 m	PE		White
<b>190213</b>	-	3 m	PE		Black
<b>190213L</b>	-	6 m	PE	SS 304	Black
<b>190213AS</b>	VG-SSWF-SD-3M	3 m	PE-as		Black
<b>190213ASL</b>	VG-SSWF-SD-6M	6 m	PE-as		Black
<b>19S00187NS-3M</b>	VG-SSWF-NS-3M	3 m	Nolu-S		Light Grey
<b>19S00187NS-6M</b>	VG-SSWF-NS-6M	6 m	Nolu-S		Light Grey
<b>190214</b>	-	3 m	PE		White
<b>190214L</b>	-	6 m	PE	ZN	White
<b>190215</b>	-	3 m	PE		Black
<b>190215L</b>	-	6 m	PE		Black



Solid version		L	Material	Metal profile material	Paint
Standard version	Ref.				
<b>19S00174-3M</b>	VG-SSWFS-3M	3 m	PE		White
<b>19S00174-6M</b>	VG-SSWFS-6M	6 m	PE	SS 304	White

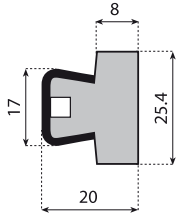
## CONICAL SIDE GUIDES

**Weight:** 0.72 Kg/m  
**Packaging:** 30 meters

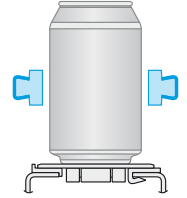
# Conical side guides

 Preferred type, readily available (codes marked in red)

## STANDARD VERSIONS



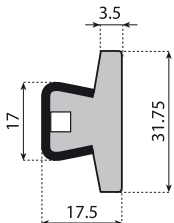
Code		L	Material	Metal profile material	Paint
Standard version	Ref.				
<b>19031</b>	-	3 m	PE	SS 304	White
<b>19031L</b>	-	6 m	PE		White
<b>19032</b>	-	3 m	PE		Black
<b>19032L</b>	-	6 m	PE		Black
<b>19032AS</b>	VG-SST-1.00-SD-3M	3 m	PE-as		Black
<b>19032ASL</b>	VG-SST-1.00-SD-6M	6 m	PE-as		Black
<b>19S00154N-3M</b>	VG-SST-N-1.00-3M	3 m	Nylatron	Black	
<b>190202</b>	-	3 m	PE	ZN	White
<b>190202L</b>	-	6 m	PE		White
<b>190203</b>	-	3 m	PE		Black
<b>190203L</b>	-	6 m	PE		Black



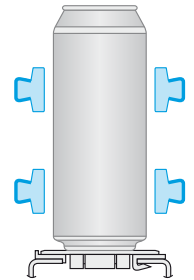
## CONICAL SIDE GUIDES

**Weight:** 0.78 Kg/m  
**Packaging:** 30 meters

## STANDARD VERSIONS

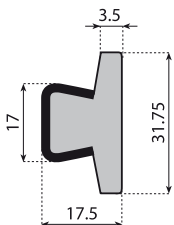


Code		L	Material	Metal profile material	Paint
Standard version	Ref.				
<b>190232</b>	-	3 m	PE	SS 304	White
<b>190232L</b>	-	6 m	PE		White
<b>190233</b>	-	3 m	PE		Black
<b>190233L</b>	-	6 m	PE	Black	
<b>190234</b>	-	3 m	PE	ZN	White
<b>190234L</b>	-	6 m	PE		White
<b>190235</b>	-	3 m	PE		Black
<b>190235L</b>	-	6 m	PE		Black



## CONICAL SIDE GUIDES

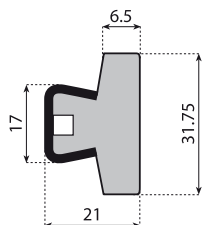
**Weight:** 0.76 Kg/m  
**Packaging:** 30 meters



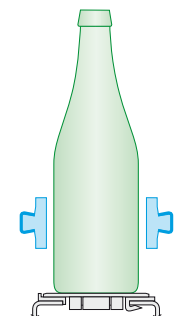
Solid version					
Standard version	Ref.	L	Material	Metal profile material	Paint
<b>19S00175-3M</b>	VG-SSWFS-1.25-3M	3 m	PE	SS 304	White
<b>19S00175-6M</b>	VG-SSWFS-1.25-6M	6 m	PE	SS 304	White

## SOLID VERSIONS

## STANDARD VERSIONS

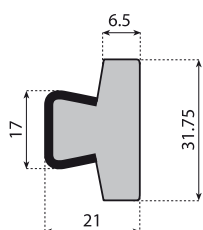


Code		L	Material	Metal profile material	Paint
Standard version	Ref.				
<b>19033</b>	-	3 m	PE	SS 304	White
<b>19033L</b>	-	6 m	PE		White
<b>19034</b>	-	3 m	PE		Black
<b>19034L</b>	-	6 m	PE		Black
<b>19034AS</b>	VG-SST-1.25-SD-3M	3 m	PE-as		Black
<b>19034ASL</b>	VG-SST-1.25-SD-6M	6 m	PE-as		Black
<b>19S00164NS-3M</b>	VG-SST-1.25-NS-3M	3 m	Nolu-S	Light Grey	
<b>19S00164NS-6M</b>	VG-SST-1.25-NS-6M	6 m	Nolu-S	Light Grey	
<b>19S00164N-3M</b>	VG-SST-N-1.25-3M	3 m	Nylatron	Black	
<b>19S00164HT-3M</b>	VG-SST-HT-1.25-3M	3 m	HT	-	
<b>190204</b>	-	3 m	PE	ZN	White
<b>190204L</b>	-	6 m	PE		White
<b>190205</b>	-	3 m	PE		Black
<b>190205L</b>	-	6 m	PE		Black



## CONICAL SIDE GUIDES

**Weight:** 0.86 Kg/m  
**Packaging:** 30 meters

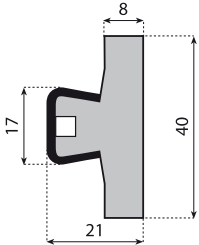


Solid version					
Standard version	Ref.	L	Material	Metal profile material	Paint
<b>19S00165-3M</b>	VG-SSTS-1.25-3M	3 m	PE	SS 304	White
<b>19S00165-6M</b>	VG-SSTS-1.25-6M	6 m	PE	SS 304	White

## SOLID VERSIONS

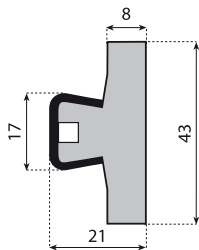
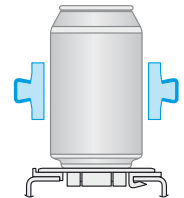
# Conical side guides

Preferred type, readily available (codes marked in red)



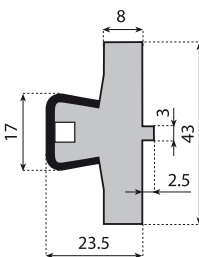
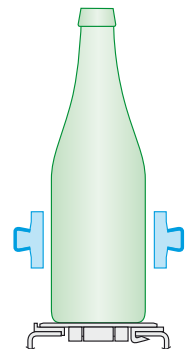
**CONICAL SIDE GUIDES**  
**Weight:** 0.90 Kg/m  
**Packaging:** 30 meters

Code		L	Material	Metal profile material	Paint
Standard version	Ref.				
<b>19059</b>	-	3 m	PE		White
<b>19059L</b>	-	6 m	PE		White
<b>19060</b>	-	3 m	PE		Black
<b>19060L</b>	-	6 m	PE		Black
<b>19060AS</b>	VG-SST-1.60-SD-3M	3 m	PE-as	SS 304	Black
<b>19060ASL</b>	VG-SST-1.60-SD-6M	6 m	PE-as		Black
<b>19S00166NS-3M</b>	VG-SST-1.60-NS-3M	3 m	Nolu-S		Light Grey
<b>19S00166NS-6M</b>	VG-SST-1.60-NS-6M	6 m	Nolu-S		Light Grey
<b>19S00166N-3M</b>	VG-SST-N-1.60-3M	3 m	Nylatron		Black
<b>190206</b>	-	3 m	PE		White
<b>190206L</b>	-	6 m	PE	ZN	White
<b>190207</b>	-	3 m	PE		Black
<b>190207L</b>	-	6 m	PE		Black



**STANDARD VERSIONS**  
**Weight:** 0.94 Kg/m  
**Packaging:** 30 meters

Code		L	Material	Metal profile material	Paint
Standard version	Ref.				
<b>190216</b>	-	3 m			White
<b>190216L</b>	-	6 m	PE	SS 304	White
<b>190217</b>	-	3 m			Black
<b>190217L</b>	-	6 m			Black
<b>190218</b>	-	3 m			White
<b>190218L</b>	-	6 m	PE	ZN	White
<b>190219</b>	-	3 m			Black
<b>190219L</b>	-	6 m			Black



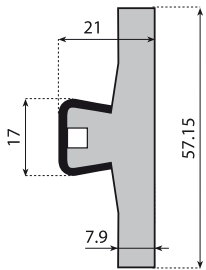
**STANDARD VERSIONS**  
**Weight:** 0.95 Kg/m  
**Packaging:** 30 meters

Code		L	Material	Metal profile material	Paint
Standard version	Ref.				
<b>19038</b>	-	3 m	PE		White
<b>19038L</b>	-	6 m	PE		White
<b>19039</b>	-	3 m	PE	SS 304	Black
<b>19039L</b>	-	6 m	PE		Black
<b>19039AS</b>	VG-SST-1.70-SD-3M	3 m	PE-as		Black
<b>19039ASL</b>	VG-SST-1.70-SD-6M	6 m	PE-as		Black
<b>190208</b>	-	3 m	PE		White
<b>190208L</b>	-	6 m	PE	ZN	White
<b>190209</b>	-	3 m	PE		Black
<b>190209L</b>	-	6 m	PE		Black



# Conical side guides

 Preferred type, readily available (codes marked in red)

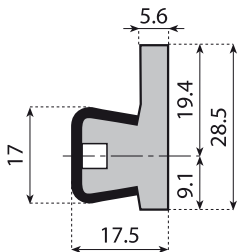
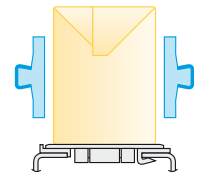


## STANDARD VERSIONS

Weight: 1.1 Kg/m

Packaging: 30 meters

Code		Ref.	L	Material	Metal profile material	Paint
Standard version						
<b>190220</b>	-	-	3 m	PE	-	White
<b>190220L</b>	-	-	6 m	PE	-	White
<b>190221</b>	-	-	3 m	PE	-	Black
<b>190221L</b>	-	-	6 m	PE	SS 304	Black
<b>190221AS</b>	VG-SST-2.25-SD-3M	-	3 m	PE-as	-	Black
<b>190221ASL</b>	VG-SST-2.25-SD-6M	-	6 m	PE-as	-	Black
<b>19S00167NS-3M</b>	VG-SST-2.25-NS-3M	-	3 m	Nolu-S	-	Light Grey
<b>19S00167NS-6M</b>	VG-SST-2.25-NS-6M	-	6 m	Nolu-S	-	Light Grey
<b>190222</b>	-	-	3 m	PE	-	White
<b>190222L</b>	-	-	6 m	PE	ZN	White
<b>190223</b>	-	-	3 m	PE	-	Black
<b>190223L</b>	-	-	6 m	PE	-	Black

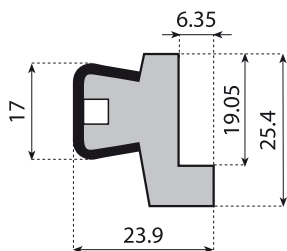
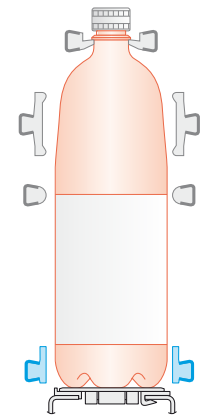


## STANDARD VERSIONS

Weight: 0.72 Kg/m

Packaging: 30 meters

Code		Ref.	L	Material	Metal profile material	Paint
Standard version						
<b>190236</b>	-	-	3 m	-	-	White
<b>190236L</b>	-	-	6 m	PE	SS 304	White
<b>190237</b>	-	-	3 m	-	-	Black
<b>190237L</b>	-	-	6 m	-	-	Black
<b>190238</b>	-	-	3 m	-	-	White
<b>190238L</b>	-	-	6 m	PE	ZN	White
<b>190239</b>	-	-	3 m	PE	-	Black
<b>190239L</b>	-	-	6 m	PE	-	Black



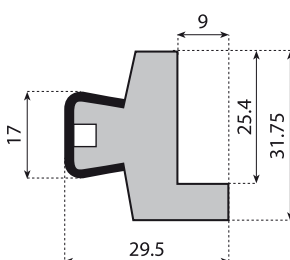
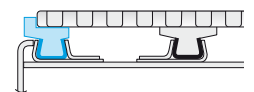
## STANDARD VERSIONS

Weight: 0.15 Kg/m

Packaging: 30 meters

Code		Ref.	L	Material	Metal profile material	Paint
Standard version						
<b>190228</b>	-	-	3 m	-	-	White
<b>190228L</b>	-	-	6 m	PE	SS 304	White
<b>190229</b>	-	-	3 m	-	-	Black
<b>190229L</b>	-	-	6 m	-	-	Black
<b>190230</b>	-	-	3 m	-	-	White
<b>190230L</b>	-	-	6 m	PE	ZN	White
<b>190231</b>	-	-	3 m	PE	-	Black
<b>190231L</b>	-	-	6 m	PE	-	Black

Use: wear strip and side guide for modular wide belts



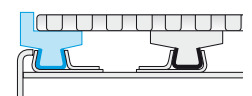
## STANDARD VERSIONS

Weight: 1.15 Kg/m

Packaging: 30 meters

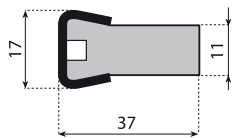
Code		Ref.	L	Material	Metal profile material	Paint
Standard version						
<b>190224</b>	-	-	3 m	PE	-	White
<b>190224L</b>	-	-	6 m	PE	-	White
<b>190225</b>	-	-	3 m	PE	SS 304	Black
<b>190225L</b>	-	-	6 m	PE	-	Black
<b>19S00123NS-3M</b>	VG-SSLT-1.0X38-NS-3M	-	3 m	Nolu-S	-	Light Grey
<b>19S00123NS-6M</b>	VG-SSLT-1.0X38-NS-6M	-	6 m	Nolu-S	-	Light Grey
<b>190226</b>	-	-	3 m	PE	-	White
<b>190226L</b>	-	-	6 m	PE	ZN	White
<b>190227</b>	-	-	3 m	PE	-	Black
<b>190227L</b>	-	-	6 m	PE	-	Black

Use: wear strip and side guide for modular wide belts



# Conical side guides

Preferred type, readily available (codes marked in red)



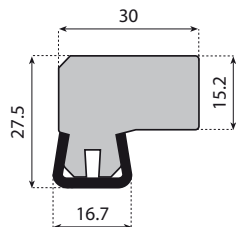
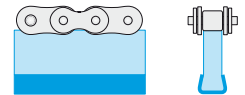
### STANDARD VERSIONS

Weight: 0.80 Kg/m

Packaging: 30 meters

Code		L	Material	Metal profile material	Paint
Standard version	Ref.				
<b>19040</b>	-	3 m			White
<b>19040L</b>	-	6 m	PE	SS 304	White
<b>19041</b>	-	3 m			Black
<b>19041L</b>	-	6 m			Black
<b>190210</b>	-	3 m			White
<b>190210L</b>	-	6 m	PE	ZN	White
<b>190211</b>	-	3 m			Black
<b>190211L</b>	-	6 m			Black

Use: ISO 12B1 European series roller chains

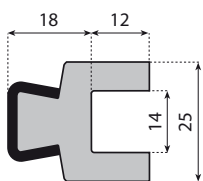
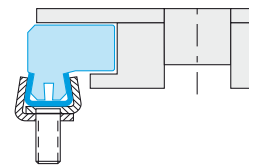


### STANDARD VERSIONS

Weight: 1.2 Kg/m

Packaging: 30 meters

Code		L	Material	Metal profile material	Paint
Standard version	Ref.				
<b>19500181-3M</b>	VG-SSTG-02-3M	3 m			White
<b>19500181-6M</b>	VG-SSTG-02-6M	6 m			White
<b>19500181B-3M</b>	VG-SSTG-02-B-3M	3 m	PE	SS 304	Black
<b>19500181B-6M</b>	VG-SSTG-02-B-6M	6 m			Black

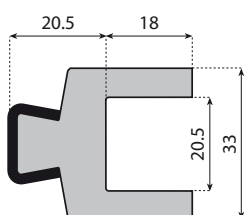
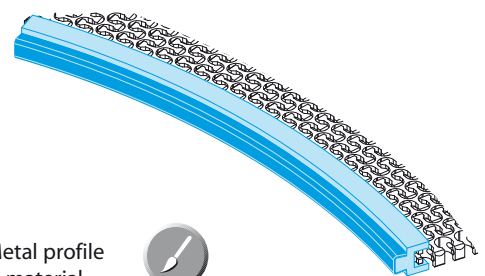


### STANDARD VERSIONS

Weight: 1.3 Kg/m

Packaging: 30 meters

Code		L	Material	Metal profile material	Paint
Standard version	Ref.				
<b>19500182NS-3M</b>	VG-SSUT-1.00-S-3M	3 m	Nolu-S	SS 304	Light Grey



### STANDARD VERSIONS

Weight: 1.5 Kg/m

Packaging: 30 meters

Code		L	Material	Metal profile material	Paint
Standard version	Ref.				
<b>19500183NS-3M</b>	VG-SSUT-1.30-S-3M	3 m	Nolu-S	SS 304	Light Grey

# PolyGlide™

 Preferred type, readily available (codes marked in red)

## POLYGLIDE™

### Guide rail for use with plastics such as PET and polypropylene.

PolyGlide™ rail is designed to be an economical solution to guiding plastic containers, cartons, and conveyor belting. PolyGlide™ is constructed using 304 stainless steel as the guide contact surface and can be used with all standard Valu Guide rail clips and clamps.

### PolyGlide reduces static buildup.

Plastic packaging and PET bottles can generate high levels of static buildup as they travel along a conveyor. PolyGlide provides static buildup with a pathway to the surrounding conveyor frame where it can dissipate. Conveyor frame may need to be grounded.

### PolyGlide can be used in higher operating temperatures.

PolyGlide can withstand harsh environments such as: Steam chambers, furnace discharge, steam boxes, shrink tunnels, pasteurizers, hot fill area, ovens, cookers, fryers.



AISI 304  
Stainless steel



Saves time  
and money



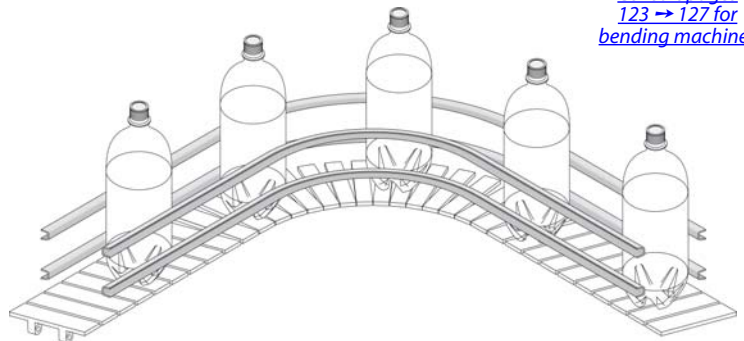
For use in high  
temperatures





Static charge  
reducing  
capability

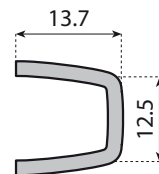


[Consult pages  
123 → 127 for  
bending machines](#)

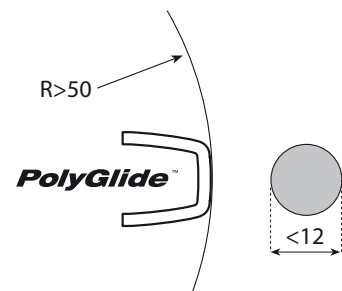
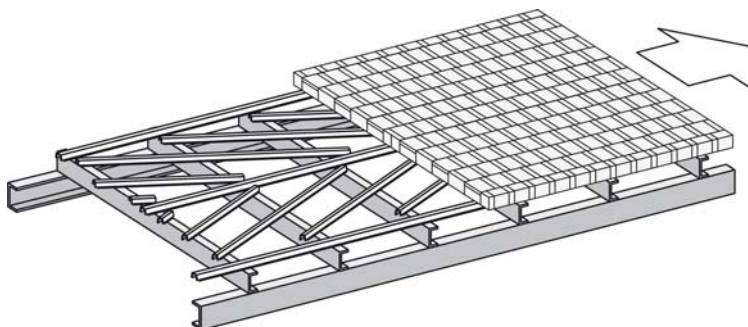


POLYGLIDE PROFILE

Code	Ref.			Material
<b>19S00008-3M</b>	VG-SPM-3M	3 m	30 m	SS 304
<b>19S00008-6M</b>	VG-SPM-6M	6 m	60 m	

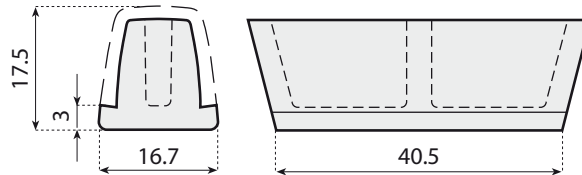
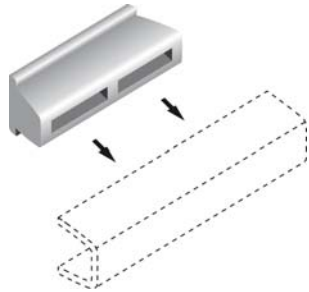


The design of the stainless steel profile, used in the Valu Guide combines the strength of a round solid bar with a diameter of more than 12mm with a smoothly curved sliding surface with a radius of over 50mm.



# PolyGlide™

Preferred type, readily available (codes marked in red)



Code	Ref.		Material
<b>13S00092</b>	VG-PMI-25	n° 20	TPE

POLYGLIDE PROFILE



AISI 304  
Stainless steel



Saves time  
and money



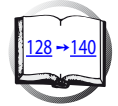
For use in high  
temperatures



Static charge  
reducing  
capability



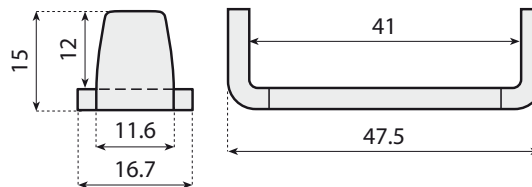
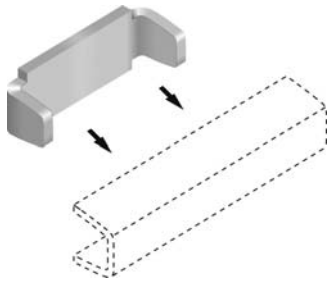
Thermoplastic  
elastomers



[Accessories](#)



Par. # 6,105,757  
(USA)

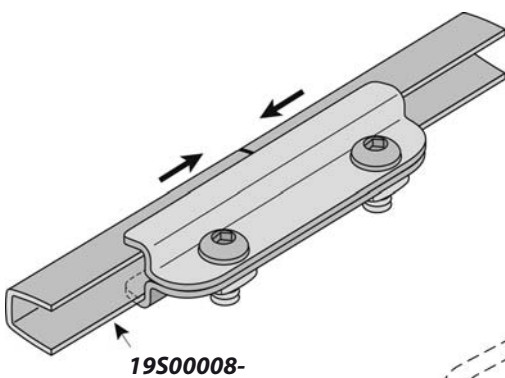


Code	Ref.		Material
<b>13S00093</b>	VG-PMI-30	n° 20	SS 304

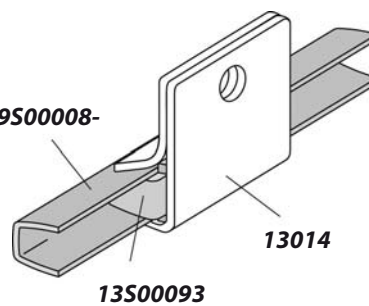
POLYGLIDE PROFILE



Par. # 6,053,654  
(USA)

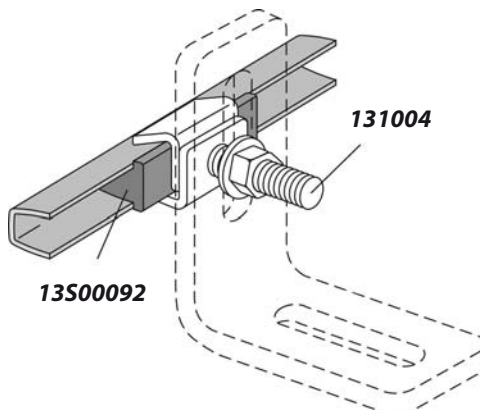


19S00008-



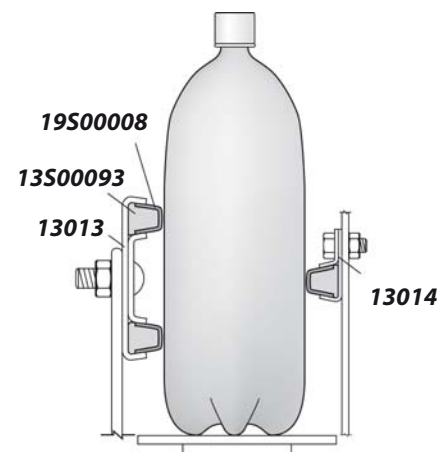
13014

13S00093



131004

13S00092



19S00008

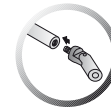
13S00093

13013

13014

# Adjustable guide rail clamp

 Preferred type, readily available (codes marked in red)



[See page 160](#)

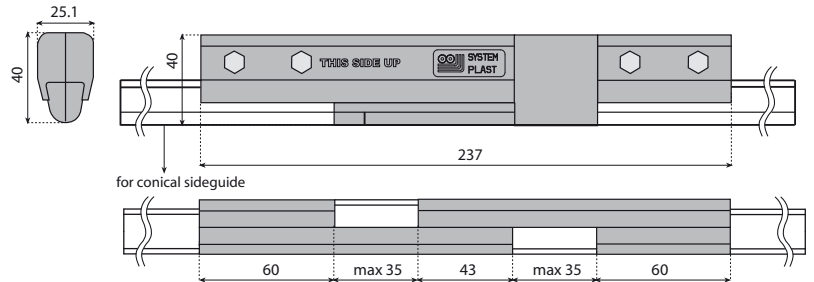


Polyamide

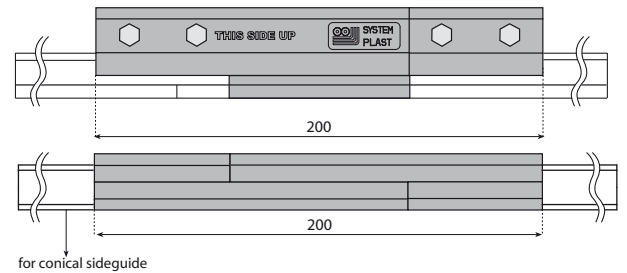


[See page 94](#)

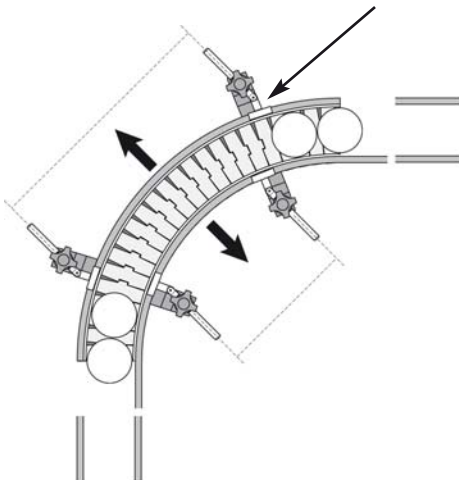
“Open” position



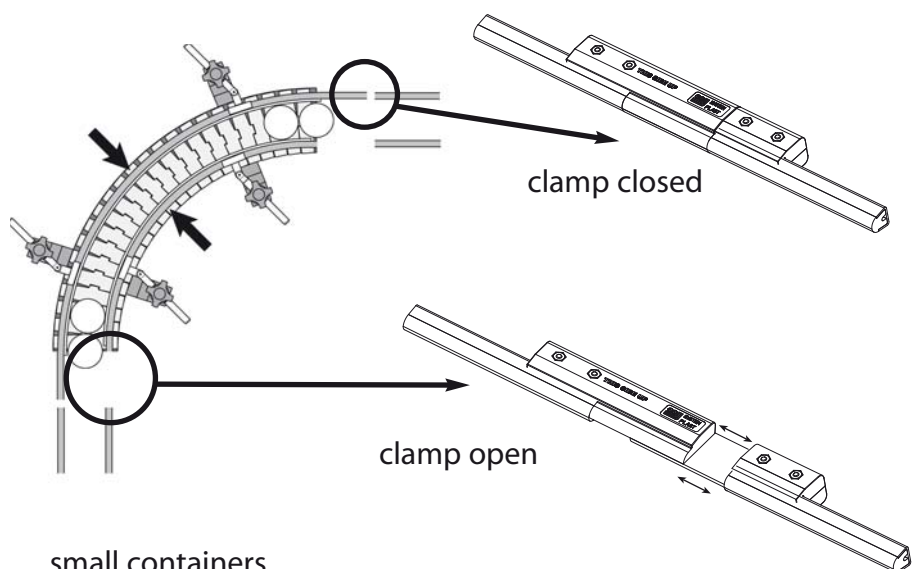
“Closed” position




**JOINT ROD ADAPTER** (page 160)



large containers



small containers

Code	For profiles	
<b>131170</b>	19019	n° 50
	19020	
	19021	
	19022	
	19S00145NS	
	19S00146	

**Material:** clamp in PA,  
bolts in stainless steel  
nuts in nickel plated brass.  
**Supply:** assembled.

# Straight neck guide rails

Preferred type, readily available (codes marked in red)



Polyethylene UHMW



On request straight neck guide rails with special dimensions can be produced.



For further information contact our Engineering Department

## STRAIGHT NECK GUIDE RAILS

**Material:** Ultra High Molecular Weight Polyethylene to provide minimum friction and reliable long term performance.

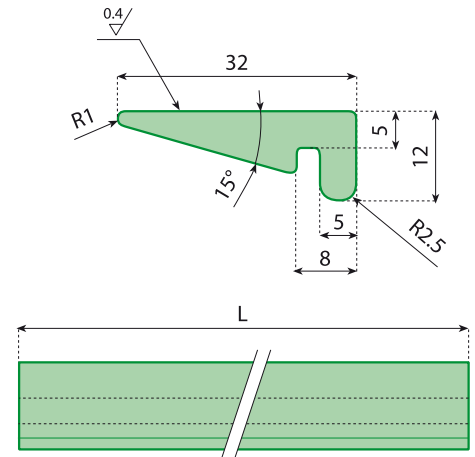
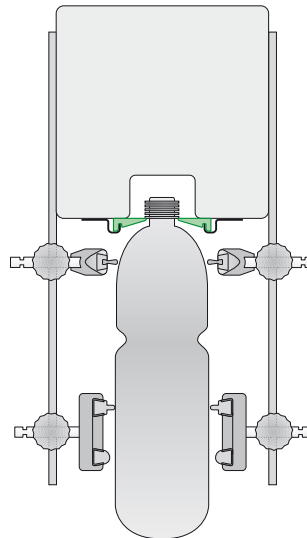
**Note:** max. continuous service temperature in air 90°C. Water absorption coefficient = 0.

**Colour:** green.

**Supply:** 2,52 or 3 meters.

**Packaging:** 10 pieces (25.2 or 30 meters).

**Use:** overhead transport of PET bottles.



Code			
19460	2.52 m	25 m	Green
19460L	3 m	30 m	

# Corner neck guide rails

## CORNER NECK GUIDES RAILS

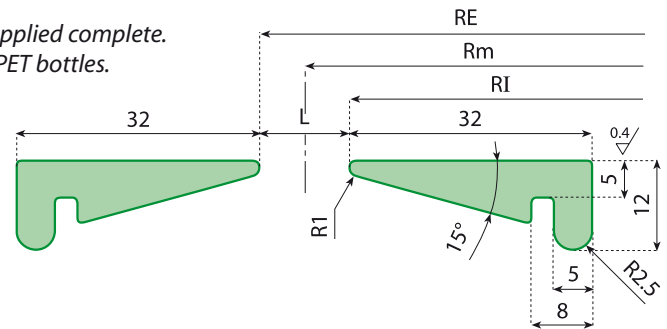
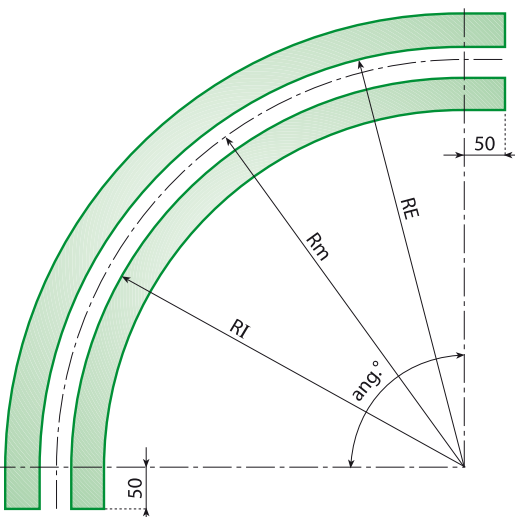
**Material:** Ultra High Molecular Weight Polyethylene to provide minimum friction and reliable long term performance.

**Note:** max. continuous service temperature in air 90°C. Water absorption coefficient = 0.

**Colour:** green.

**Supply:** corner tracks are supplied complete.

**Use:** overhead transport of PET bottles.



Corner neck guide rails L = 28.5									
Rm	RE	RI	L	15°	30°	45°	60°	75°	90°
500	514.25	486.7	28.5	190300	190301	190302	190303	190304	19450
750	764.25	735.75	28.5	190305	190306	190307	190308	190309	19451
1000	1014.25	985.75	28.5	190310	190311	190312	190313	190314	19452

Corner neck guide rails L = 36									
Rm	RE	RI	L	15°	30°	45°	60°	75°	90°
750	768	732	36	190315	190316	190317	190318	190319	190320
1000	1018	982	36	190321	190322	190323	190324	190325	190326

Corner neck guide rails L = 42									
Rm	RE	RI	L	15°	30°	45°	60°	75°	90°
750	771	729	42	190327	190328	190329	190330	190331	190332
1000	1021	979	42	190333	190334	190335	190336	190337	190338

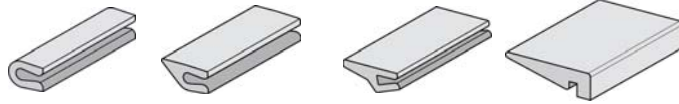
# Neck guides for PET containers



## NECK GUIDES

Helps guide PET and HDPE containers in high speed, air conveying applications. Nolu-SR is a proprietary alloy of reinforced UHMW and other USDA accepted lubricants, resulting in a harder, lower friction material that is ideal in these applications. Though design differ, the material of choice is Nolu-SR, proven to increase throughput, reduce jams and wear longer.

**Material:** Nolu-SR is a special UHMW with modified molecular structure helps guide PET containers in high speed applications.



Nolu-S

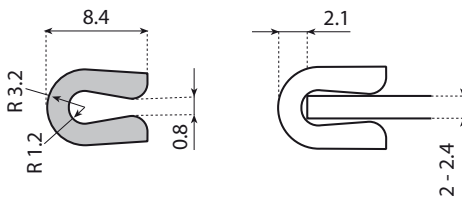


Nolu-SR

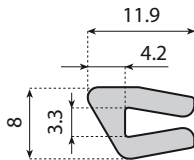


Also available in anti-static!

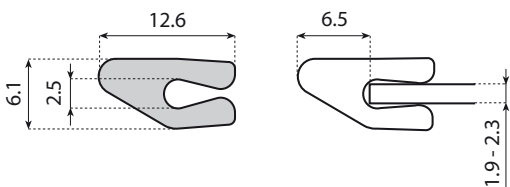
Preferred type, readily available (codes marked in red)



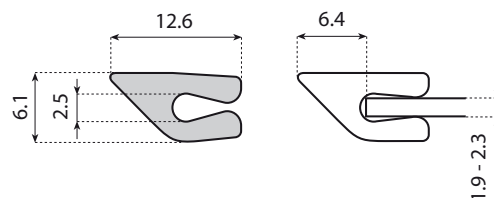
Code	Ref.			Material	
<b>19S00036NS-30M</b>	VG-P105R-30M	30 m	30 m	Nolu-S	Light Grey
<b>19S00036NS-75M</b>	VG-P105R-75M	75 m	75 m	Nolu-S	Light Grey
<b>19S00036NSR-30M</b>	VG-P105RCL-30M	30 m	30 m	Nolu-SR	Dark Grey
<b>19S00036NSR-75M</b>	VG-P105RCL-75M	75 m	75 m	Nolu-SR	Dark Grey



Code	Ref.			Material	
<b>19S00040NSR-30M</b>	VG-NG47-SR-30M	30 m	30 m	Nolu-SR	Dark Grey
<b>19S00040NSR-75M</b>	VG-NG47-SR-75M	75 m	75 m	Nolu-SR	Dark Grey



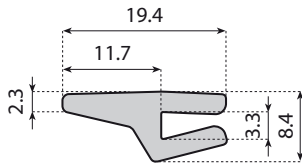
Code	Ref.			Material	
<b>19S00041NSR-30M</b>	VG-NG49-SR-30M	30 m	30 m	Nolu-SR	Dark Grey
<b>19S00041NSR-75M</b>	VG-NG49-SR-75M	75 m	75 m	Nolu-SR	Dark Grey



Code	Ref.			Material	
<b>19S00042NSR-30M</b>	VG-NG50-SR-30M	30 m	30 m	Nolu-SR	Dark Grey
<b>19S00042NSR-75M</b>	VG-NG50-SR-75M	75 m	75 m	Nolu-SR	Dark Grey

# Neck guides for PET containers

Preferred type, readily available (codes marked in red)



**Code**

**Ref.**



**19S00043NSR-75M**

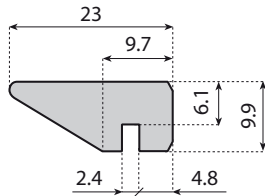
VG-NG81-SR-75M

75 m

75 m

Nolu-SR

Dark Grey



**Code**

**Ref.**



**19S00038NSR-30M**

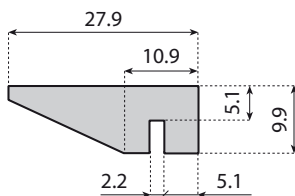
VG-NG91-SR-30M

30 m

30 m

Nolu-SR

Dark Grey



**Code**

**Ref.**



**19S00039NSR-30M**

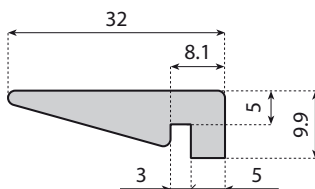
VG-NG110-SR-30M

30 m

30 m

Nolu-SR

Dark Grey



**Code**

**Ref.**



**19S00037NSR-30M**

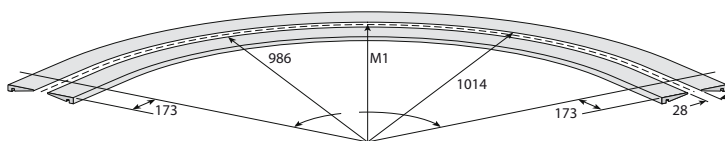
VG-NG125-SR-30M

30 m

30 m

Nolu-SR

Dark Grey



**Code**

**Ref.**



**19S00044NSR**

VG-NG125-SR-1M28

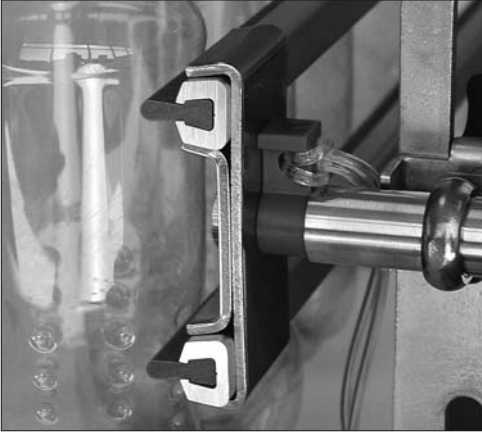
n°1+1


Nolu-SR

Dark Grey

NECK GUIDE CURVE

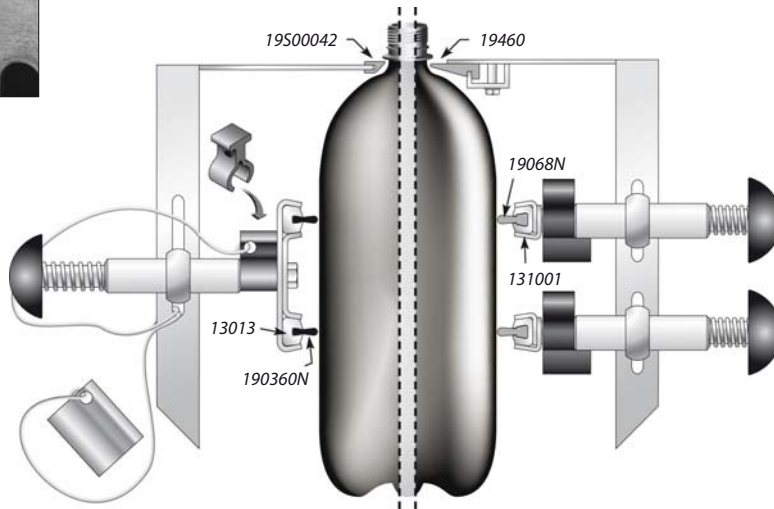
# Guides for PET bottles



 Preferred type, readily available (codes marked in red)

## GUIDES FOR PET BOTTLES

Aluminum guide rail with Nolu-s insert is used to guide containers, especially PET and HDPE, in application such as air conveying. Many air conveyor users and manufacturers have found that brush guides tend to get contaminated with debris, which causes increased friction and marking of PET bottles. Nolu-S is the perfect combination of extremely low friction in a tough UHMW based material. Nolu-S will not mark bottles while allowing faster speeds and greater throughput.



*Low friction,  
non-marking!  
More sanitary*



Nolu-S



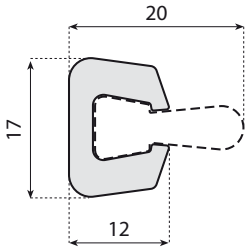
Aluminium





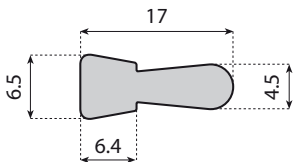
[Consult pages 123 → 127 for bending machines](#)






[Accessories](#)

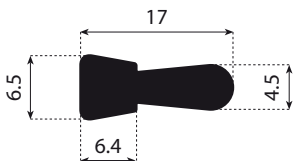





Code	Ref.			Material
<b>19S00009-3M</b>	VG-ABG-3M	3 m	30 m	AL
<b>19S00009-6M</b>	VG-ABG-6M	6 m	60 m	AL



Code	Ref.			Material	
<b>19S00079NS-30M</b>	VG-PBG7-NS-30M	30 m	30 m	Nolu-S	Light Grey

*Reduced Splices!*



Code	Ref.			Material	
<b>19S00079NSD-30M</b>	VG-PBG7-NSD-30M	30 m	30 m	Nolu-S antistatic	Black



Nolu-S antistatic

# Guides for PET bottles

 Preferred type, readily available (codes marked in red)



Nolu-S antistatic



Nolu-S



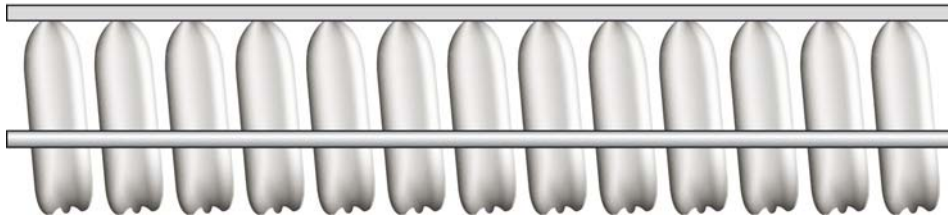
Aluminium



[Consult pages 123 → 127 for bending machines](#)

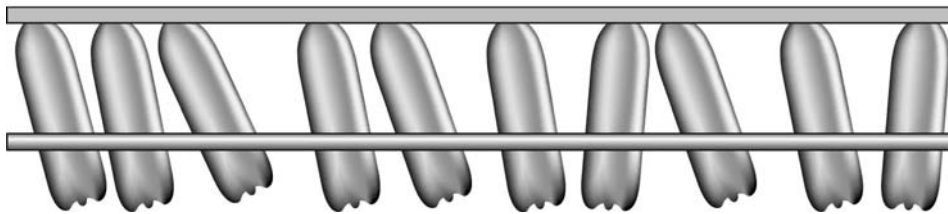


[Accessories](#)



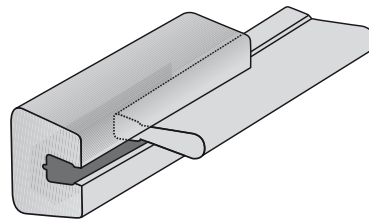
## NOLU-S

**Nolu-SR** neck guides and **Nolu-S** body guides, with an ultra low coefficient of friction, reduces the degree of bottle tilt and the corresponding wear problems.

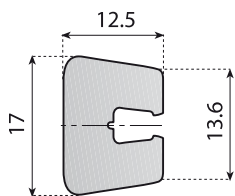


## OTHER GUIDES

Other guides (especially brushes), when contaminated, can cause irregular tilt and orientation of the bottles, resulting in blockage at curves or inclines.



*Low friction,  
non-marking!  
More sanitary*



### Code

**19094**  
**19094L**



0.50



3 m

6 m



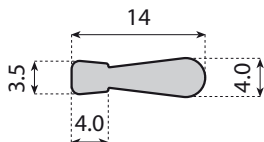
30 m

60 m

Material

Aluminium

*Reduced  
Splices!*



### Code

**19S00078NS-30M**

Ref.

VG-PBG5-NS-30M



30 m



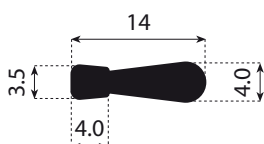
30 m

Material

Nolu-S



Light Grey



### Code

**19S00078NSD-30M**

Ref.

VG-PBG5-NSD-30M



30 m



30 m

Material

Nolu-S antistatic



Black



Nolu-S antistatic

# Product guides

 Preferred type, readily available (codes marked in red)



Polyethylene  
UHMW



Anodized  
aluminium



[Accessories](#)



[Consult pages](#)  
[123 → 127 for](#)  
[bending machines](#)

## GUIDE RAILS

### Material:

- Metal profile in anodized aluminium.
- Extruded profile in UHMWPE.

### Characteristics:




- Very low friction coefficient.
- High resistance to chemical agents.

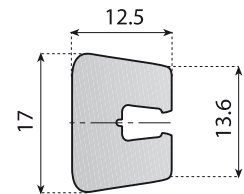
**Notes:** Aluminium profile and plastic profile are supplied assembled.

**Application:** as side guides for air conveyor and standard conveyor.







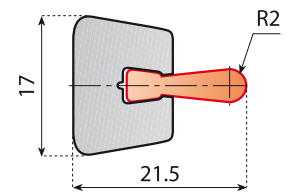
## ALUMINIUM PROFILE

Code			
<b>19094</b>	0.50	3 m	30 m
<b>19094L</b>		6 m	60 m







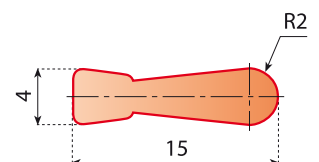
## GUIDE RAILS

Code				
<b>190360N</b>	0.59	3 m	30 m	Black
<b>190360NL</b>		6 m		Black
<b>190360NA</b>		3 m		Antistatic Black
<b>190360NAL</b>		6 m		Antistatic Black
<b>190360P</b>		3 m		Yellow
<b>190360PL</b>		6 m		Yellow
<b>190360</b>		3 m		Orange
<b>190360L</b>		6 m		Orange
<b>190360W</b>		3 m		White
<b>190360WL</b>		6 m		White



## EXTRUDED PROFILE

Code				
<b>19068N</b>	0.09	60 m	60 m	Black
<b>19068NA</b>				Antistatic Black
<b>19068P</b>				Yellow
<b>19068</b>				Orange
<b>19068W</b>				White



# Product guides

Preferred type, readily available (codes marked in red)



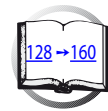
Polyethylene  
UHMW



Brushes



Anodized  
aluminium



[Accessories](#)  
[128 → 160](#)



[Consult pages](#)  
[123 → 127 for](#)  
[bending machines](#)

## GUIDE RAIL

### Material:

- Metal profile in anodized aluminium.
- Brushes profile in natural fibres.

### Characteristics:

- Very low friction coefficient.

### Supply:

- 3 meter.
- Aluminium profile and brushes profile are supplied assembled.

**Application:** as side guides for air conveyor.



## ALUMINIUM PROFILE

Code

**19094**



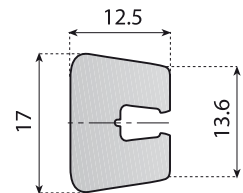
0.50



3 m



30 m



## BRUSHES PROFILE

Code

**190365**



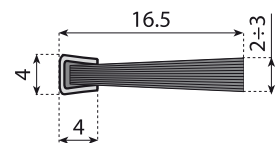
0.09



3 m



30 m



## GUIDE RAILS

Code

**190366**



0.59

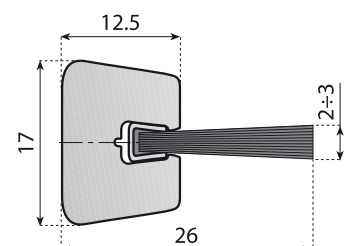


3 m



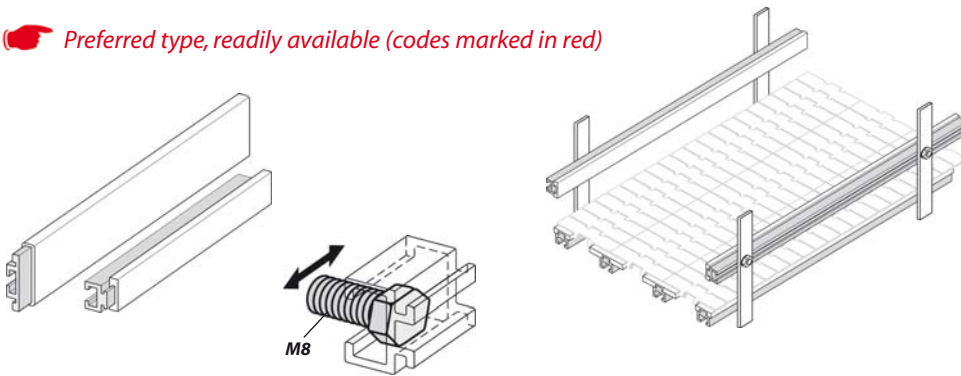
30 m

**Notes:** aluminium profile and brushes are supplied assembled.



# Aluminium guide rail

 Preferred type, readily available (codes marked in red)



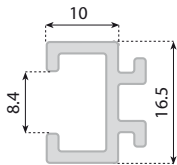
**Al-a**  
Anodized  
Aluminium



**Al**  
Aluminium

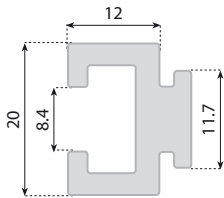
**PE**  
Polyethylene  
UHMW






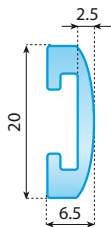
[Consult pages  
123 → 127 for  
bending machines](#)




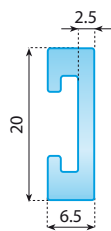
Code	Ref.			Material	
<b>19S00210-3M</b>	VG-A225-3M	3 m	30 m	Al	-
<b>19S00210-6M</b>	VG-A225-6M				



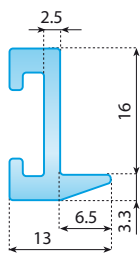
Code	Ref.			Material	
<b>19S00216-3M</b>	VG-A600-3M	3 m	30 m	Al	
<b>19S00216-6M</b>	VG-A600-6M	6 m	60 m	Al	-
<b>19S00212-3M</b>	VG-A600A-3M	3 m	30 m	Al-a	
<b>19S00212-6M</b>	VG-A600A-6M	6 m	60 m	Al-a	



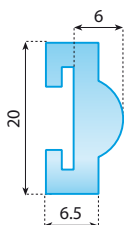
Code	Ref.				Material	
<b>19S00025-3M</b>	VG-P813-3M	3 m	-	30 m		
<b>19S00025-6M</b>	VG-P813-6M	6 m	-	60 m	PE	White
<b>19S00025-30M</b>	VG-P813-30M	-	30 m	30 m		



Code	Ref.				Material	
<b>19S00026-3M</b>	VG-P813F-3M	3 m	-	30 m		
<b>19S00026-6M</b>	VG-P813F-6M	6 m	-	60 m	PE	White
<b>19S00026-30M</b>	VG-P813F-30M	-	30 m	30 m		



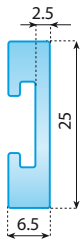
Code	Ref.			Material	
<b>19S00032-3M</b>	VG-P0808-3M	3 m	30 m	PE	White



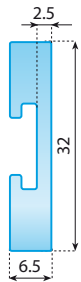
Code	Ref.			Material	
<b>19S00033-3M</b>	VG-P611-3M	3 m	30 m	PE	White

# Aluminium guide rail

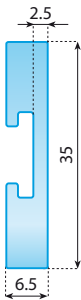
Preferred type, readily available (codes marked in red)



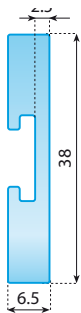
Code	Ref.			Material	
<b>19S00034-3M</b>	VG-P816F-3M	3 m	30 m	PE	White
<b>19S00034-6M</b>	VG-P816F-6M	6 m	60 m		



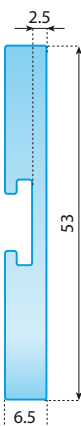
Code	Ref.			Material	
<b>19S00031-3M</b>	VG-P820F-3M	3 m	30 m	PE	White
<b>19S00031-6M</b>	VG-P820F-6M	6 m	60 m		



Code	Ref.			Material	
<b>19S00027-3M</b>	VG-P822F-3M	3 m	30 m	PE	White
<b>19S00027-6M</b>	VG-P822F-6M	6 m	60 m		



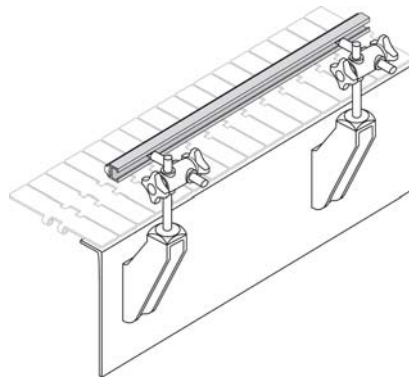
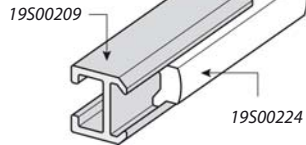
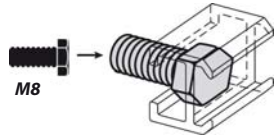
Code	Ref.			Material	
<b>19S00022-3M</b>	VG-P824F-3M	3 m	30 m	PE	White
<b>19S00022-6M</b>	VG-P824F-6M	6 m	60 m		



Code	Ref.			Material	
<b>19S00028-3M</b>	VG-P834F-3M	3 m	30 m	PE	White
<b>19S00028-6M</b>	VG-P834F-6M	6 m	60 m		

# Aluminium guide rail

 Preferred type, readily available (codes marked in red)



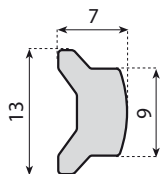
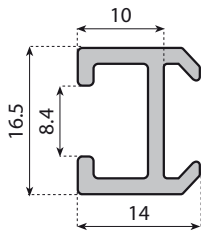
Aluminium









Polyethylene UHMW

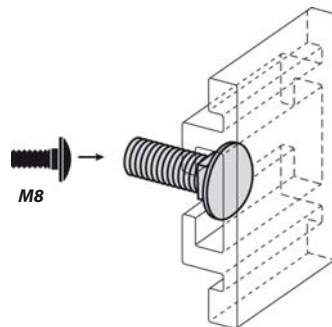
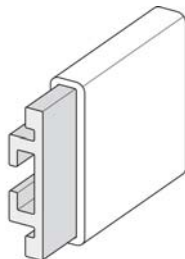


[Consult pages 123 → 127 for bending machines](#)



Code	Ref.			Material	
<b>19S00209-3M</b>	VG-A350-3M	3 m	30 m	AL	-
<b>19S00209-6M</b>	VG-A350-6M	6 m	60 m	AL	-

Code	Ref.			Material	
<b>19S00224-3M</b>	VG-P350-3M	3 m	30 m	PE	White
<b>19S00224-6M</b>	VG-P350-6M	6 m	60 m	PE	White



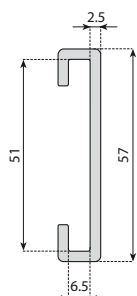
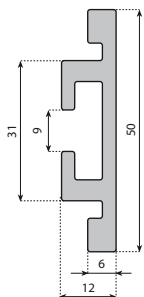
Aluminium








Polyethylene UHMW



[Consult pages 133 → 137 for bending machines](#)



Code	Ref.			Material	
<b>19S00211-3M</b>	VG-A2520-3M	3 m	30 m	AL	-
<b>19S00211-6M</b>	VG-A2520-6M	6 m	60 m	AL	-

Code	Ref.			Material	
<b>19S00226-3M</b>	VG-P2520BC-3M	3 m	30 m	PE	White
<b>19S00226-6M</b>	VG-P2520BC-6M	6 m	60 m	PE	White

# Product guides

Preferred type, readily available (codes marked in red)



AISI 304  
Stainless steel



Polyethylene  
UHMW



Accessories



Zinc plated steel

## STANDARD GUIDE RAILS

### Material:

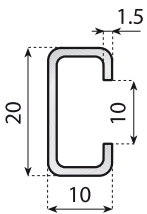
- Metal profile, see the table.
- Plastic profile in UHMWPE.

### Characteristics:

- Very low friction coefficient.
- Moderate resistance to chemical agents.
- No liquid absorption.

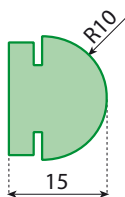
### Supply:

- 3 or 6 meters.



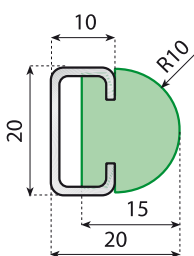
### METAL PROFILE

Code	Kg/m	L		Material
<b>16450</b>	0.40	3 m	30 m	S/S AISI 304
<b>16450L</b>		6 m		
<b>16449</b>	0.40	3 m	30 m	Zinc plated steel
<b>16449L</b>		6 m		



### EXTRUDED PROFILE

Code	Kg/m	L		
<b>19083</b>	0.28	3 m	30 m	Green
<b>19083L</b>		6 m		
<b>19084</b>	0.28	3 m	30 m	Black
<b>19084L</b>		6 m		



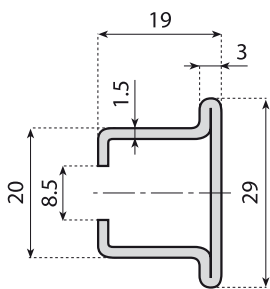
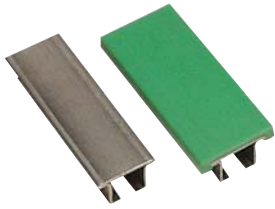
### STANDARD GUIDE RAILS

**Notes:** the metal profile and plastic profile are supplied assembled.

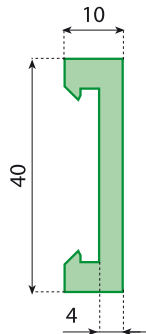
Code	L		Metal profile material	Guide
<b>19035</b>	3 m	30 m	S/S 304	Green
<b>19035L</b>	6 m			Green
<b>19036</b>	3 m	30 m	Zinc plated steel	Black
<b>19036L</b>	6 m			Black
<b>19046</b>	3 m	30 m	Zinc plated steel	Green
<b>19046L</b>	6 m			Green
<b>19047</b>	3 m	30 m	Zinc plated steel	Black
<b>19047L</b>	6 m			Black

# Product guides

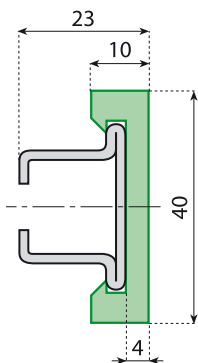
 Preferred type, readily available (codes marked in red)



METAL PROFILE



EXTRUDED PROFILE



GUIDE RAILS

**Notes:** the steel profile and wear strip are supplied assembled.

## GUIDE RAILS

### Material:




- Metal profile, see the table.
- Plastic profile in UHMWPE.




### Characteristics:





- Very low friction coefficient.
- High resistance to chemical agents.
- No liquid absorption.

### Supply:

- 3 or 6 meters.
- Steel profile and plastic profile are supplied assembled.

Code	 Kg/m	 L		Material
<b>19048C</b>	0.90	3 m	30 m	S/S 304
<b>19048</b>		6 m		
<b>19048KC</b>	0.90	3 m	30 m	S/S 430
<b>19048K</b>		6 m		

Code	 Kg/m	 L		Material	
<b>19071C</b>	0.20	3 m	30 m	PE	Black
<b>19071</b>		6 m		PE	Black
<b>19071NS</b>		6 m		Nolu-S	Grey
<b>19070C</b>		3 m		PE	Green
<b>19070</b>		6 m		PE	Green
<b>19070BC</b>		3 m		PE	White
<b>19070B</b>		6 m		PE	White
<b>19071ASC</b>		3 m		PE-a	Black
<b>19071AS</b>		6 m		PE-a	Black

Code	 Kg/m	 L		Plastic profile material	Metal profile material	
<b>19063NC</b>	1.10	3 m	30 m	PE	S/S 304	Black
<b>19063N</b>		6 m		PE		Black
<b>19063VC</b>		3 m		PE		Green
<b>19063V</b>		6 m		PE		Green
<b>19063BC</b>		3 m		PE		White
<b>19063B</b>		6 m		PE		White
<b>19063ASC</b>		3 m		PE-a		Black
<b>19063AS</b>		6 m		PE-a		Black
<b>19063KNC</b>		3 m		PE		Black
<b>19063KN</b>		6 m		PE		Black
<b>19063KVC</b>	3 m	PE	Green			
<b>19063KV</b>	6 m	PE	Green			
<b>19063KBC</b>	3 m	PE	White			
<b>19063KB</b>	6 m	PE	White			
<b>19063KASC</b>	3 m	PE-a	Black			
<b>19063KAS</b>	6 m	PE-a	Black			



Polyethylene UHMW



Polyethylene antistatic UHMW



AISI 304 Stainless steel



AISI 430 Stainless steel

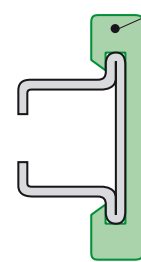


Accessories



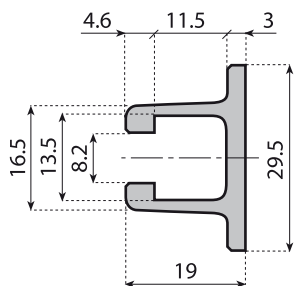
Consult pages 123 → 127 for bending machines

These profiles are applicable to code 19048 - 19048C cod. 19070 - 19071

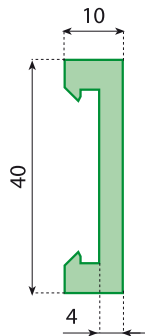


# Product guides

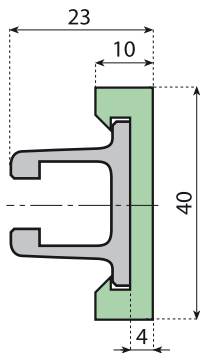
Preferred type, readily available (codes marked in red)



ALUMINIUM PROFILE



EXTRUDED PROFILE



## GUIDE RAILS

**Supply:** 3 or 6 meters.  
**Packaging:** 30 meters.  
**Notes:** the aluminium profile and guide rails are supplied assembled.

## GUIDE RAILS

### Material:

- Metal profile in anodized aluminium.
- Plastic profile in UHMWPE.

### Characteristics:

- Very low friction coefficient.
- High resistance to chemical agents.
- No liquid absorption.

### Supply:

- 3 or 6 meters.
- Metal profile and guide rails are supplied assembled.

Code	Kg/m	L		Material
<b>19097L</b>	0.50	3 m	30 m	Al-a
<b>19097</b>		6 m		



Polyethylene UHMW



Polyethylene antistatic UHMW



Anodized aluminium

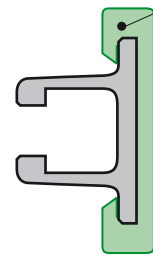


Accessories



Consult pages 123 → 127 for bending machines

These profiles are applicable to code 19097 - 19097L cod. 19070 - 19071



Code	Kg/m	L		Material	
<b>19071C</b>		3 m		PE	Black
<b>19071</b>		6 m		PE	Black
<b>19071NS</b>		6 m		Nolu-S	Grey
<b>19070C</b>		3 m		PE	Green
<b>19070</b>	0.20	6 m	30 m	PE	Green
<b>19070BC</b>		3 m		PE	White
<b>19070B</b>		6 m		PE	White
<b>19071ASC</b>		3 m		PE-a	Black
<b>19071AS</b>		6 m		PE-a	Black

Code	Kg/m	L		Plastic profile material	Metal profile material	
<b>19098N</b>		3 m		PE		Black
<b>19098NL</b>		6 m		PE		Black
<b>19098V</b>		3 m		PE		Green
<b>19098VL</b>		6 m	30 m	PE		Green
<b>19098B</b>	0.70	3 m		PE	AL-a	White
<b>19098BL</b>		6 m		PE		White
<b>19098AS</b>		3 m		PE-a		Black
<b>19098ASL</b>		6 m		PE-a		Black

# Product guides

 Preferred type, readily available (codes marked in red)



Consult pages  
123 → 127 for  
bending machines

## GUIDE RAILS (Flat type)

### Material:

- Polyethylene PE 500.000.

### Characteristics:

- They can be bent or calendered by means of usual systems or using bending machines code 19037 or 19044.
- Coefficient of linear expansion:  $2.5 \times 10^{-4}$ .
- Temperature range for continuous use in air:  $-35^{\circ}\text{C} \div +70^{\circ}\text{C}$ .
- Min. bending radius: 200 mm.

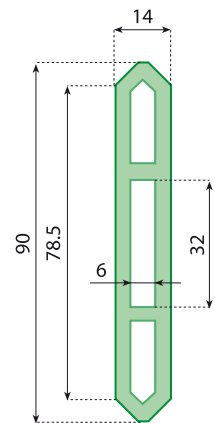
**Notes:** when sealing the ends a 2 mm space must be left between the silicone and the end of the bar to compensate for linear contraction of the guide rail at low temperatures.



### FLAT GUIDE

**Characteristics:** To use this guide, a 30x5 mm steel bar should be inserted

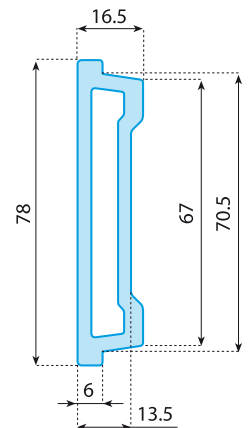
Code	Kg/m	L		Material	
<b>19098L</b>	0.60	3 m	30 m	PE	Green
<b>19098</b>		6 m		500.000	



### SIDE GUIDE

**Characteristics:** To use this guide, a 60x6 mm steel bar or double M-Profile should be inserted.

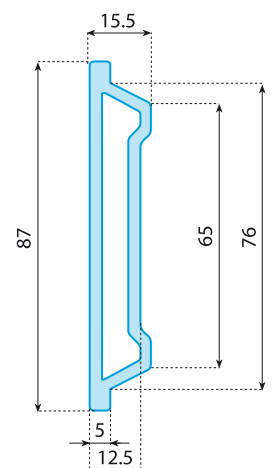
Code	Kg/m	L		Material	
<b>19082L</b>		3 m			Black
<b>19082</b>		6 m			Black
<b>19082BL</b>	0.60	3 m	30 m	PE	Light blue
<b>19082B</b>		6 m		500.000	Light blue
<b>19082VL</b>		3 m			Green
<b>19082V</b>		6 m			Green



### SIDE GUIDE

**Characteristics:** To use this guide, a 60x6 mm steel bar or double M-Profile should be inserted.

Code	Kg/m	L		Material	
<b>19050L</b>		3 m			Black
<b>19050</b>		6 m			Black
<b>19050AL</b>	0.60	3 m	30 m	PE	Light blue
<b>19050A</b>		6 m		500.000	Light blue
<b>19050VL</b>		3 m			Green
<b>19050V</b>		6 m			Green



# Product guides

Preferred type, readily available (codes marked in red)



[Consult pages 123 → 127 for bending machines](#)

Polyethylene UHMW



[Accessories](#)

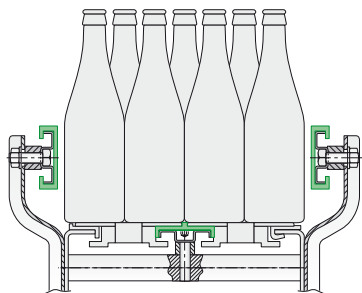
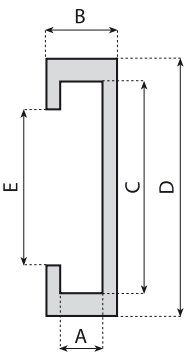
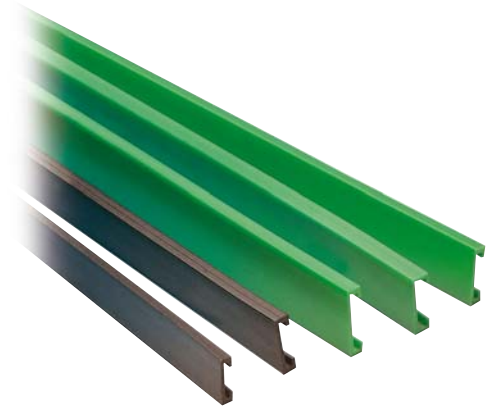


Nolu-S

## GUIDE RAILS

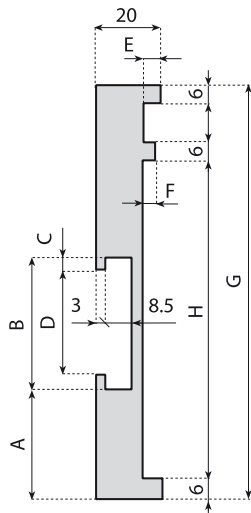
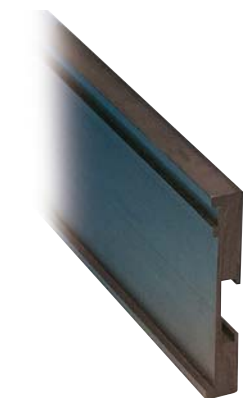
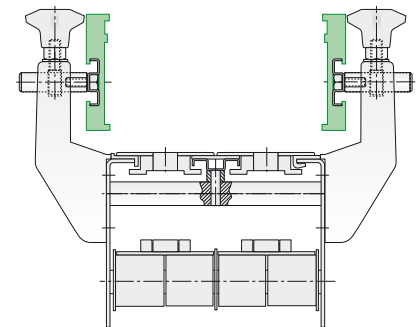
### Material:

Extruded ultra high molecular weight polyethylene.  
Max. continuous service temperature in air 90° C.  
Water absorption coefficient = 0.



Code	A	B	C	D	E	Kg/m	L	Material	Color
<b>19054N</b>							3 m	PE	Black
<b>19054NL</b>	3.5	10	30.5	40	20	0.20	6 m	PE	Black
<b>19054V</b>							3 m	PE	Green
<b>19054VL</b>							6 m	PE	Green
<b>19080N</b>							3 m	PE	Black
<b>19080NL</b>	6.5	12	41	50	30	0.23	6 m	PE	Black
<b>19080V</b>							3 m	PE	Green
<b>19080VL</b>							6 m	PE	Green
<b>19053N</b>							3 m	PE	Black
<b>19053NL</b>	8.5	14	41	50	27.5	0.25	6 m	PE	Black
<b>19053V</b>							3 m	PE	Green
<b>19053VL</b>							6 m	PE	Green
<b>19081N</b>							3 m	PE	Black
<b>19081NL</b>	10.5	16	41	50	35	0.27	6 m	PE	Black
<b>19081V</b>							3 m	PE	Green
<b>19081VL</b>							6 m	PE	Green
<b>19052N</b>							3 m	PE	Black
<b>19052NL</b>	6.5	12	51	60	36	0.27	6 m	PE	Black
<b>19052V</b>							3 m	PE	Green
<b>19052VL</b>							6 m	PE	Green
<b>19052NS</b>							6 m	Nolu-S	Grey
<b>19092N</b>							3 m	PE	Black
<b>19092NL</b>	6	14	82	90	61.5	0.33	6 m	PE	Black
<b>19092V</b>							3 m	PE	Green
<b>19092VL</b>							6 m	PE	Green

SIDE GUIDES



SIDE GUIDE FOR LABELLING BOTTLE

Code	A	B	C	D	E	F	G	H	L	Material	Color
<b>19085N</b>									2 m	PE	Black
<b>19085V</b>	35	41	5.5	30	4	2	105	68	30 m	PE	Green
<b>19086N</b>									2 m	PE	Black
<b>19086V</b>	35	41	5.5	30	4	2	110	73	30 m	PE	Green
<b>19087N</b>									2 m	PE	Black
<b>19087V</b>	35	41	5.5	30	4	2	115	80	30 m	PE	Green
<b>19088N</b>									2 m	PE	Black
<b>19088V</b>	35	41	5.5	30	4	2	117	75	30 m	PE	Green
<b>19089N</b>									2 m	PE	Black
<b>19089V</b>	35	41	4.5	32	5	3.5	130	100	30 m	PE	Green

# Product guides

 Preferred type, readily available (codes marked in red)



Polyethylene  
UHMW

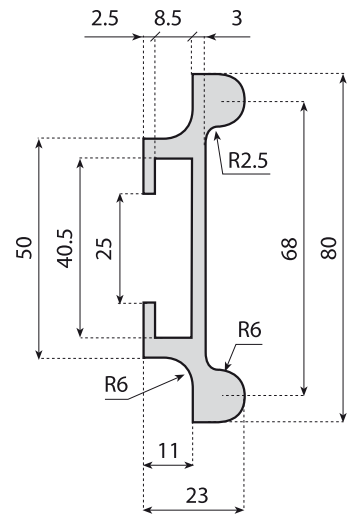
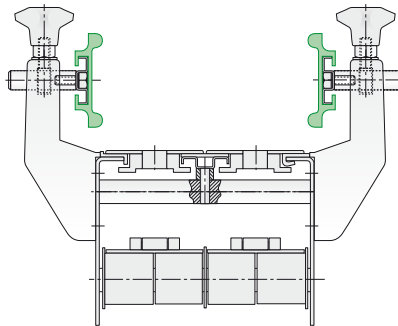
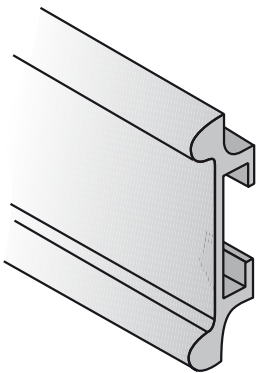


Accessories

## GUIDE RAILS

### Material:

Extruded ultra high molecular weight polyethylene.  
Max. continuous service temperature in air 90° C.  
Water absorption coefficient = 0.



### SIDE GUIDE

#### Code

**19090**  
**19090V**



0.55



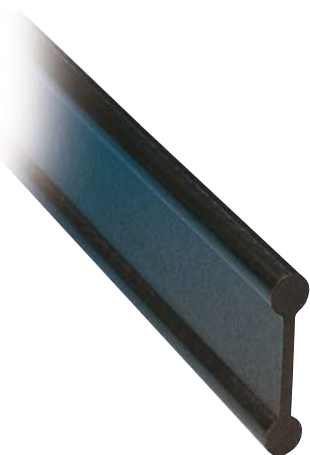
3 m



30 m



Black  
Green



### SIDE GUIDE

#### Code

**19051**  
**19051V**



0.72



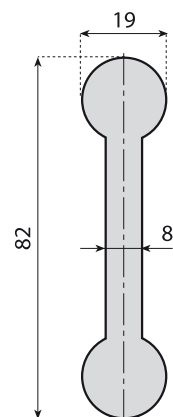
3 m



30 m



Black  
Green



# Product guides

Preferred type, readily available (codes marked in red)



Polyethylene UHMW



303 Stainless steel



[Accessories](#)

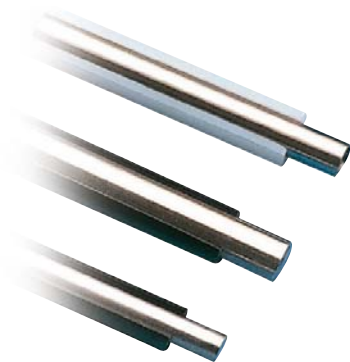


[Consult pages 123 → 127 for bending machines](#)

## GUIDE RAILS

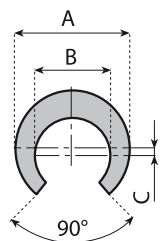
### Material:

- Round profile in stainless steel AISI 303.
- Plastic profile in UHMWPE.

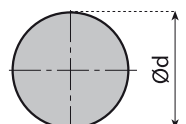


SIDE GUIDE

Code	A	B	C	For rod Ø (mm)	Kg/m			
<b>19055</b>	12	9	0.3	8	0.05			Black
<b>19055B</b>	12	9	0.3	8	0.05			White
<b>19061</b>	15	11	0.5	10	0.06			Black
<b>19061B</b>	15	11	0.5	10	0.06	30 m	30 m	White
<b>19056</b>	17	13	1	12	0.07			Black
<b>19056B</b>	17	13	1	12	0.07			White



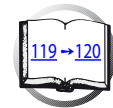
Code	Ø d	L		Material
<b>190390</b>	8			
<b>190391</b>	10			
<b>190392</b>	12	3 m	30 m	SS 303
<b>190393</b>	14			
<b>190394</b>	16			



ROUND PROFILE

# Accessories for guide rails

 Preferred type, readily available (codes marked in red)



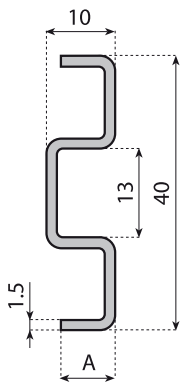
[Accessories](#)






AISI 304  
Stainless steel

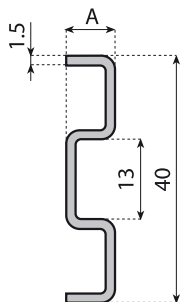


[Consult pages  
123 → 127 for  
bending machines](#)






**M-PROFILE**

Code	A	 Kg/m	 L		Material
<b>19077</b>	6	0.74	3 m		
<b>19077L</b>	6	0.74	6 m		
<b>19078</b>	8	0.78	3 m	30 m	SS 304
<b>19078L</b>	8	0.78	6 m		
<b>19079</b>	10	0.82	3 m		
<b>19079L</b>	10	0.82	6 m		

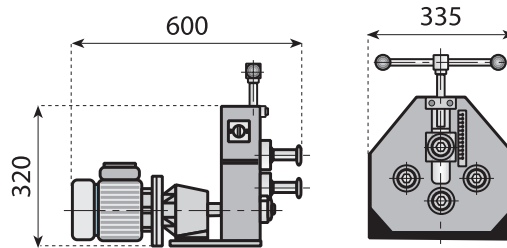
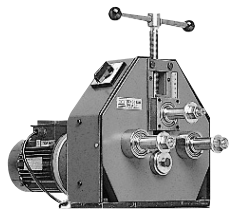


**M-PROFILE**

Code	A	 Kg/m	 L		Material
<b>190265</b>	8	0.74	3 m	30 m	SS 304
<b>190265L</b>			6 m		

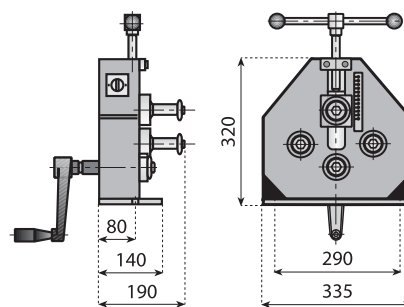
# Bending machines and bending rollers

Preferred type, readily available (codes marked in red)



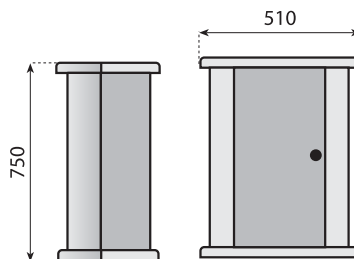
Code

**19044**



Code

**19037**



Code

**19044SB**

## MOTORIZED BENDING MACHINE

### Technical features:

- Millimeter and decimal reading for pressing roller adjustment.
- Tempered shafts mounted on double supports and rotating on opposing tapered roller bearings.
- Hardened and tempered sliding blocks located on the machine casing.
- Shaft diameter 25 mm.
- Main motor V. 380-50 Hz.
- Approximate weight 100 Kg.

## MANUAL BENDING MACHINE

### Technical features:

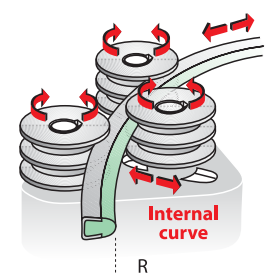
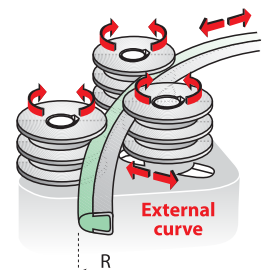
- Millimeter and decimal reading for pressing roller adjustment.
- Tempered shafts mounted on double supports and rotating on opposing tapered roller bearings.
- Hardened and tempered sliding blocks located on the machine casing.
- Shaft diameter 25 mm.
- Approximate weight 35 Kg.

**IMPORTANT:** the bending machines are supplied without rollers, these must be ordered separately according to the guide rail type (see table).


## Series of bending rollers

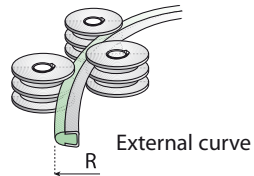
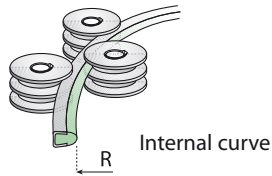
### METHOD OF BENDING

- 1 - Select the rollers designed specifically to bend the style rail desired and assemble to the machine.
- 2 - Determine the radial length of the desired curve and mark the rail to show the beginning and end of the curve.
- 3 - Center the portion of the rail in the machine and snug up the center wheel. Turn the crank 1 to 2 turns and rotate the gear box handle until the mark at one end is slightly past the contact point of the center wheel.  
Repeat this at the other end.
- 4 - Repeat Step 3.
- 5 - Center the turn section in the machine again and turn the center wheel crank inward a maximum of 2 turns.  
Rotate the gear box handle, this time until each mark reaches the contact of the center wheel.
- 6 - Repeat Step 5 until the desired curve is completed.



# Rollers for bending machine

 Preferred type, readily available (codes marked in red)

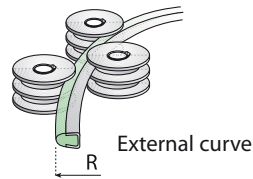
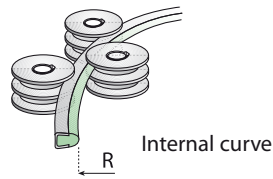


Types of guides to be bent

<p><b>Code</b> <b>19500</b></p> <p>No. of rollers 2 + 2</p>	<p>R. min = 145</p>	<p>R. min = 145</p>	
<p><b>Code</b> <b>19507</b></p> <p>No. of rollers 3</p>	<p>R. min = 160</p>	<p>R. min = 160</p>	
<p><b>Code</b> <b>19499</b></p> <p>No. of rollers 3</p>	<p>R. min = 450</p>	<p>R. min = 450</p>	
<p><b>Code</b> <b>19503</b></p> <p>No. of rollers 2 + 2</p>	<p>R. min = 200</p>	<p>R. min = 200</p>	
<p><b>Code</b> <b>19498</b></p> <p>No. of rollers 3</p>	<p>R. min = 160</p>	<p>R. min = 160</p>	
<p><b>Code</b> <b>19504</b></p> <p>No. of rollers 3</p>	<p>R. min = 200</p>	<p>R. min = 200</p>	

# Rollers for bending machine


Preferred type, readily available (codes marked in red)

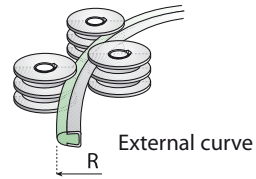
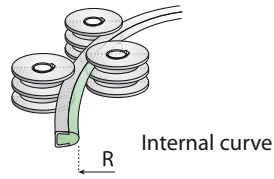


Types of guides to be bent


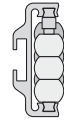
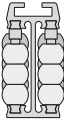


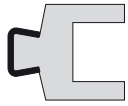
<p><b>Code</b> <b>19502</b></p> <p>No. of rollers 3</p>	<p>R.min = 150</p>	<p>R.min = 150</p>	
<p><b>Code</b> <b>19501</b></p> <p>No. of rollers 2 + 2</p>	<p>R.min = 150</p>	<p>R.min = 150</p>	<p>19035</p>
<p><b>Code</b> <b>19508</b></p> <p>No. of rollers 2 + 2</p>	<p>R.min = 300</p>	<p>R.min = 300</p>	<p>19098</p>
<p><b>Code</b> <b>19506</b></p> <p>No. of rollers 2 + 2</p>	<p>R.min = 450</p>	<p>R.min = 450</p>	<p>19077</p>
<p><b>Code</b> <b>19509</b></p> <p>No. of rollers 3</p>	<p>R.min = 500</p>	<p>R.min = 500</p>	<p>16450</p>
<p><b>Code</b> <b>19505</b></p> <p>No. of rollers 2 + 2</p>	<p>R.min = 500</p>	<p>R.min = 500</p>	<p>16456</p>

# Rollers for bending machine

 Preferred type, readily available (codes marked in red)

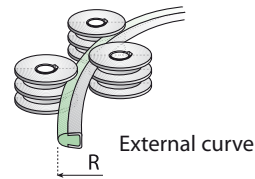
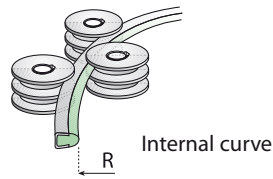


Types of guides to be bent

<p><b>Code</b> <b>19511</b></p> <p>No. of rollers 2 + 2</p>	<p>R.min=305</p>	<p>R.min=305</p>	 <p>16S00001</p>
<p><b>Code</b> <b>19512</b></p> <p>No. of rollers 2+2</p>	<p>R.min=305</p>	<p>R.min=305</p>	 <p>16S00100</p>
<p><b>Code</b> <b>19513</b></p> <p>No. of rollers 3</p>	<p>R.min=305</p>	<p>R.min=305</p>	 <p>16S00200 16S00050</p>
<p><b>Code</b> <b>19514</b></p> <p>No. of rollers 2 + 2</p>	<p>R.min=762</p>	<p>R.min=762</p>	 <p>19S00009</p>
<p><b>Code</b> <b>19515</b></p> <p>No. of rollers 2+2</p>	<p>R.min=762</p>	<p>R.min=762</p>	 <p>19S00007</p>
<p><b>Code</b> <b>19516</b></p> <p>No. of rollers 2+2</p>	<p>R.min=457</p>	<p>R.min=457</p>	 <p>19S00183</p>

# Rollers for bending machine

Preferred type, readily available (codes marked in red)



Types of guides to be bent

<p><b>Code</b> <b>19517</b></p> <p>No. of rollers 2+2</p>	<p>R.min=457</p>	<p>R.min=457</p>	<p>19500182</p>
<p><b>Code</b> <b>19519</b></p> <p>No. of rollers 2 + 2</p>	<p>R.min=457</p>	<p>R.min=457</p>	<p>19500035</p>
<p><b>Code</b> <b>19520</b></p> <p>No. of rollers 3</p>	<p>R.min=559</p>	<p>R.min=559</p>	<p>19500083</p>
<p><b>Code</b> <b>19521</b></p> <p>No. of rollers 2 + 2</p>	<p>R.min=102</p>	<p>R.min=102</p>	<p>19500008</p>
<p><b>Code</b> <b>19522</b></p> <p>No. of rollers 2+2</p>	<p>R.min=152</p>	<p>R.min=152</p>	<p>19500210 19500212 19500209</p>
<p><b>Code</b> <b>19523</b></p> <p>No. of rollers 2 + 2</p>	<p>R.min=203</p>	<p>R.min=203</p>	<p>19500211</p>

# Clamps for conical side guides

 Preferred type, readily available (codes marked in red)



Nickel plated brass



AISI 303 Stainless steel



Reinforced polyamide



See pages 94 → 103



See pages 108 → 111



See page 200



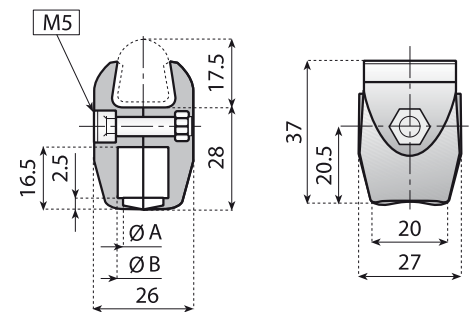
Consult pages 156 → 160 for rod design



## SINGLE CLAMP


**Material:** clamp in reinforced polyamide, bolt in stainless steel, nut in nickel plated brass.  
**Supply:** assembled.

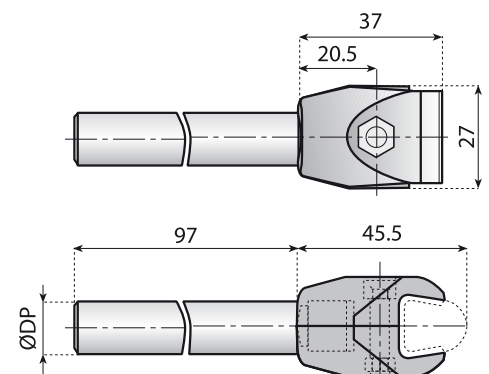
Code	Ø A	Ø B	Type	
<b>13788</b>	10	12	1	n° 50
<b>13006NV</b>	12	13.5	2	



## SINGLE CLAMP WITH ROD

**Material:** clamp in reinforced polyamide, bolt in stainless steel, nut in nickel plated brass, rod in stainless steel AISI 303.  
**Supply:** assembled.

Code	Clamp type	DP	
<b>13789</b>	1	12	n° 50
<b>13190</b>	2	14	
<b>13191</b>	2	16	



# Clamps for conical side guides

Preferred type, readily available (codes marked in red)



Nickel plated brass



AISI 303 Stainless steel



Reinforced polyamide



[See pages 94 → 103](#)



[See pages 108 → 111](#)



[See page 200](#)



[Consult pages 156 → 160 for rod design](#)



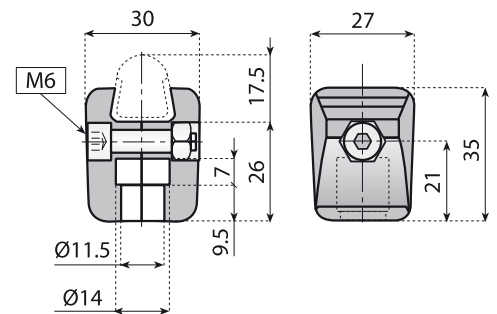
## SINGLE CLAMP

**Material:** clamp in reinforced polyamide, bolt in stainless steel, nut in nickel plated brass.  
**Supply:** assembled.

**Code**  
**13006**



n° 50



## SINGLE CLAMP WITH ROD

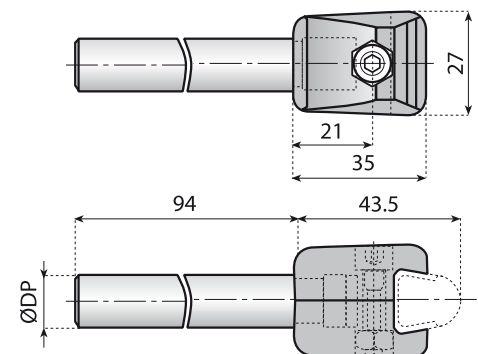
**Material:** clamp in reinforced polyamide, bolt in stainless steel, nut in nickel plated brass, rod in stainless steel AISI 303.  
**Supply:** assembled.

**Code**  
**13192**  
**13193**  
**13194**

DP  
12  
14  
16



n° 50



# Guide rail clamps



## SINGLE CLAMP WITH ROD

**Material:** clamp in reinforced polyamide, bolt in stainless steel, nut in nickel plated brass, rod in stainless steel AISI 303.  
**Supply:** assembled.

Preferred type, readily available (codes marked in red)



Nickel plated brass



AISI 303 Stainless steel



Reinforced polyamide



See pages 94 → 103



See pages 108 → 111



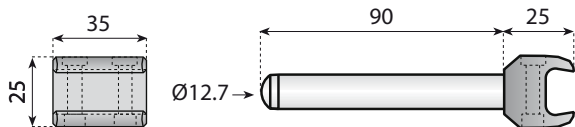
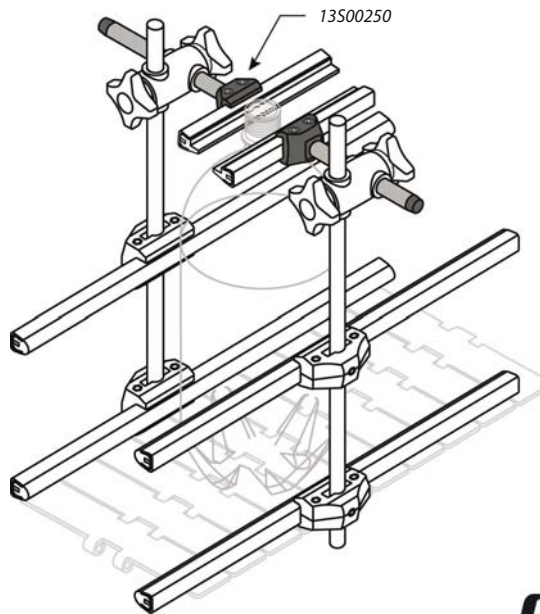
See page 200



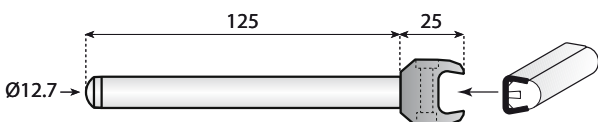
Consult pages 156 → 160 for rod design



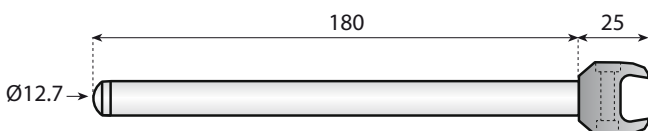
Par. # 5,626,221 (USA)



Code	Ref.		
<b>13S00250</b>	VG-031-12-35	90 mm	n°10



Code	Ref.		
<b>13S00251</b>	VG-031-12-50	125 mm	n°10



Code	Ref.		
<b>13S00252</b>	VG-031-12-70	180 mm	n°10

# Clamps for conical side guides

Preferred type, readily available (codes marked in red)



Nickel plated brass



AISI 303 Stainless steel



Reinforced polyamide



See pages 94 → 103



See pages 108 → 111



See page 200



Consult pages 156 → 160 for rod design



## SINGLE CLAMP WITH BOLT

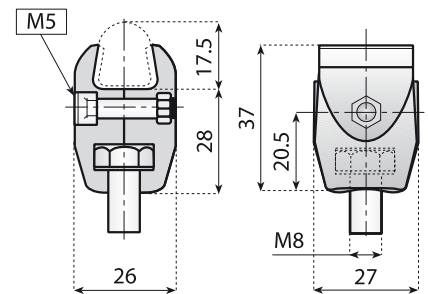
**Material:** clamp in reinforced polyamide, bolt in stainless steel, nut in nickel plated brass.  
**Supply:** assembled.

Code

**13792**



n° 50



## SINGLE CLAMP WITH ROD

**Material:** clamp in reinforced polyamide, bolt in stainless steel, nut in nickel plated brass, rod in stainless steel AISI 303.  
**Supply:** assembled.

Code

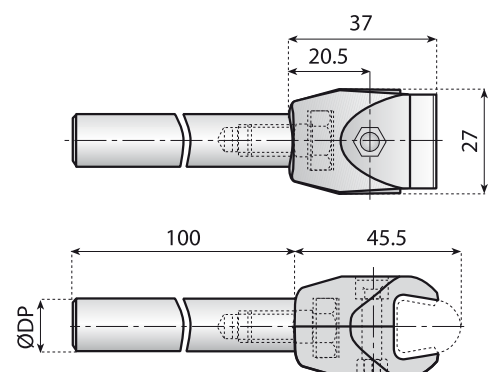
**13793**  
**13794**  
**13795**

DP

12  
14  
16



n° 50



# Clamps for conical side guides

 Preferred type, readily available (codes marked in red)



Nickel plated brass



AISI 303 Stainless steel



Reinforced polyamide



See pages 94 → 103



See pages 108 → 111



See page 200



Consult pages 156 → 160 for rod design



## ADJUSTABLE GUIDE RAIL CLAMP

**Material:** clamp in reinforced polyamide, bolts in stainless steel, nut in nickel plated brass.

**Supply:** assembled.

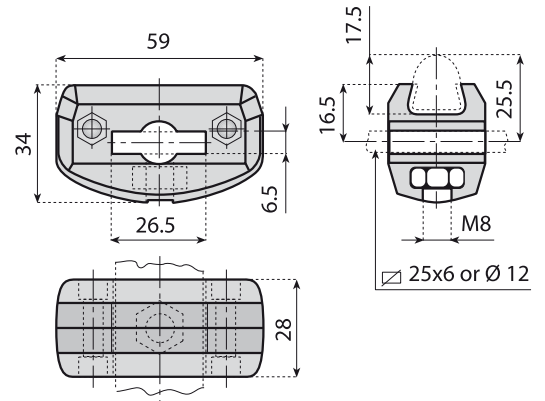
**Use:** mount on 25x6 flat bar or Ø 12 diameter rod.

Code

**13195**



n° 50



  
**Quick Claw**

PATENT FEATURE

Par. # 6,685,385 (USA)

with special threaded insert

## ADJUSTABLE GUIDE RAIL CLAMP

**Material:** clamp in reinforced polyamide, bolts in stainless steel, nut in nickel plated brass.

**Supply:** assembled.

**Use:** mount on 25x6 flat bar or Ø 12 diameter rod.

Code

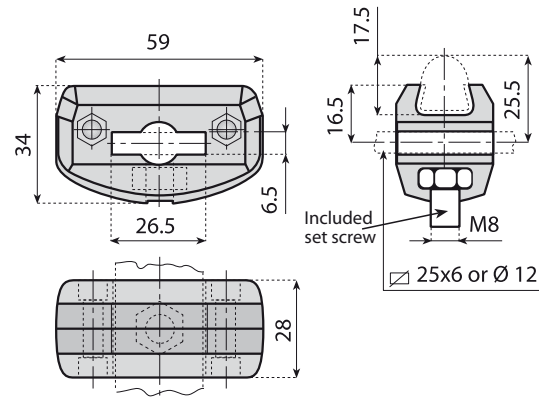
**13S00346**

Ref.

VG-022-01M



n° 50



## ADJUSTABLE GUIDE RAIL CLAMP

**Material:** clamp in reinforced polyamide, bolts in stainless steel, nut in nickel plated brass.

**Supply:** assembled.

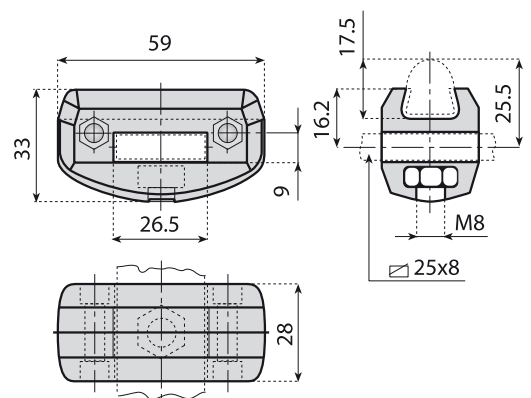
**Use:** mount on 25x8 flat bar.

Code

**13007**



n° 50



# Clamps for conical side guides

Preferred type, readily available (codes marked in red)

	<b>NPB</b> Nickel plated brass		<b>SS 303</b> AISI 303 Stainless steel		<b>PA FG</b> Reinforced polyamide
See pages 94 → 103	See pages 108 → 111	See page 200	Consult pages 156 → 160 for rod design		



## ADJUSTABLE GUIDE RAIL CLAMP

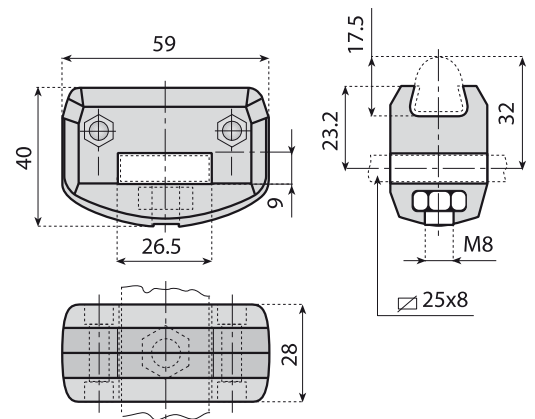
**Material:** clamp in reinforced polyamide, bolts in stainless steel, nut in nickel plated brass.  
**Supply:** assembled.  
**Use:** mount on 25x8 flat bar.

Code

**13196**



n° 50



## ADJUSTABLE GUIDE RAIL CLAMP

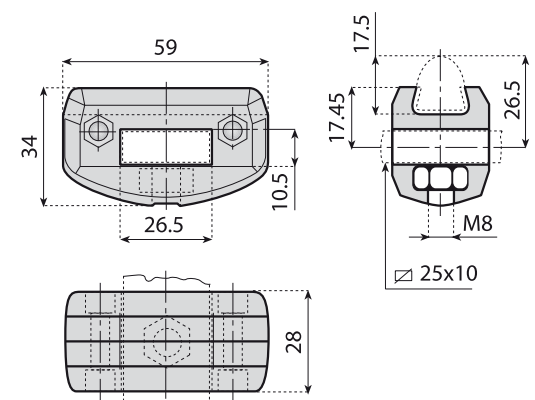
**Material:** clamp in reinforced polyamide, bolts in stainless steel, nut in nickel plated brass.  
**Supply:** assembled.  
**Use:** mount on 25x10 flat bar.

Code

**13197**



n° 50



# Clamps for conical side guides

 Preferred type, readily available (codes marked in red)



Nickel plated brass



AISI 303 Stainless steel



Reinforced polyamide



[See pages 94 → 103](#)



[See pages 108 → 111](#)



[See page 200](#)



[Consult pages 156 → 160 for rod design](#)



## SINGLE CLAMP

**Use:** it connects guide rail to bracket or rod using a standard M8 cap screw.

Code

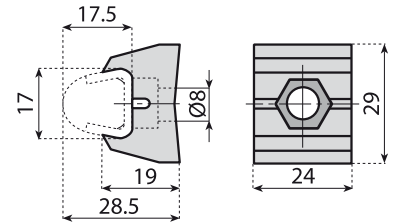
**13012**



n° 50



PA-FG

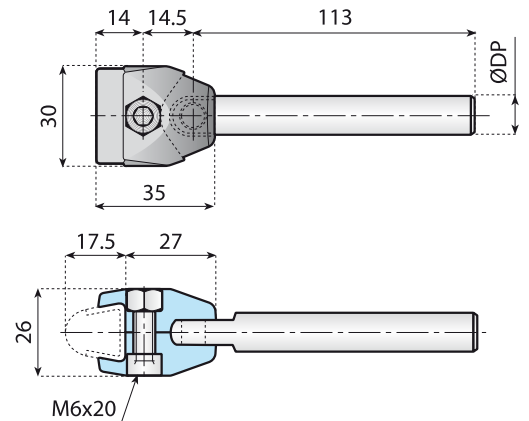


## SWIVEL CLAMP

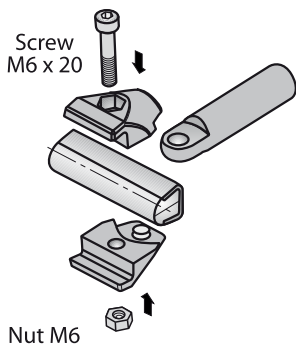
**Material:** reinforced polyamide, nut, washer and rod in stainless steel.

**Supply:** assembled.

**Note:** code 13167 is supplied without rod.



## APPLICATION EXAMPLE



This design allows a max. swivel angle of 120°

Code

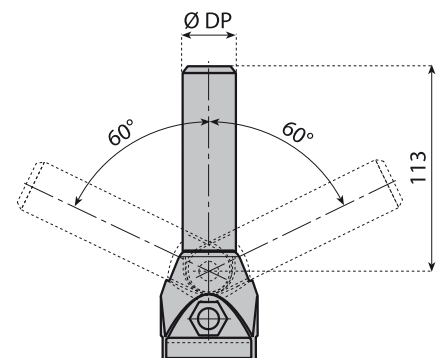
**13167**  
**13168**  
**13169**  
**13170**

DP


-  
12  
14  
16

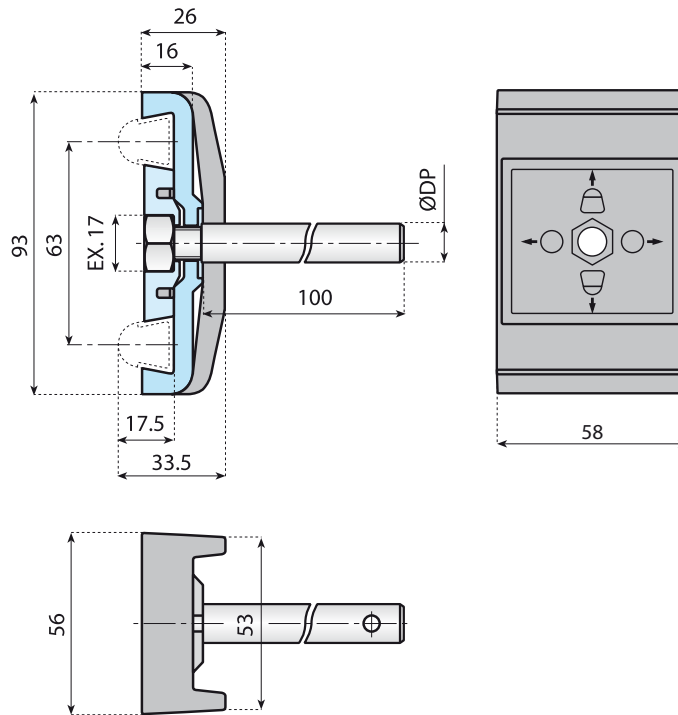


n° 50



# Clamps for conical side guides

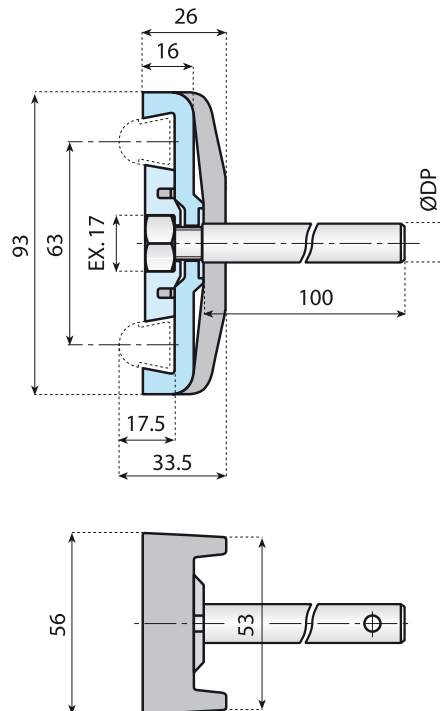
 Preferred type, readily available  
(codes marked in red)



## DOUBLE CLAMP WITH ROD

**Material:** reinforced polyamide, nut, washer rod in stainless steel.  
**Supply:** assembled.

Code	Ref.	DP	
<b>13S00500</b>	VG-011-01-P-M10	-	n° 10
<b>13S00502</b>	VG-011-01-P222-100	12	
<b>13S00505</b>	VG-011-01-P224-100	14	
<b>13S00503</b>	VG-011-01-P242-100	10	



## DOUBLE CLAMP WITH ROD

**Material:** reinforced polyamide, nut, washer rod in stainless steel.  
**Supply:** assembled.  
**Note:** code 13008NV is supplied without rod.

Code	DP	
<b>13008NV</b>	-	n° 50
<b>13009NV</b>	12	
<b>13010NV</b>	14	
<b>13011NV</b>	16	



Nickel plated brass



AISI 303 Stainless steel



Reinforced polyamide



[See pages 108 → 111](#)



[See page 200](#)

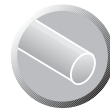


[See pages 94 → 103](#)



[Consult pages 156 → 160 for rod design](#)

# Clamps for conical side guides and for round guide rails



See page 121



Nickel plated brass



SS 303  
AISI 303  
Stainless steel



Reinforced polyamide



See pages 94 → 103



See pages 108 → 111



See pages 200



Consult pages 156 → 161 for rod design

## DOUBLE CLAMP

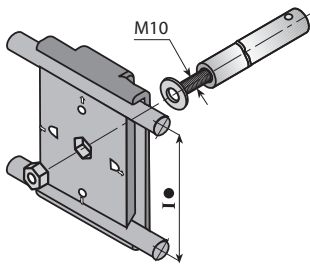
**Material:** reinforced polyamide, nut, washer and rod in stainless steel. Codes 13175-13351-13163 are supplied without rod and nut.

**Application:** the clamp is designed to be used with either the conical or  $\varnothing 12$  mm round guide rails, simply by turning the internal flange plate.

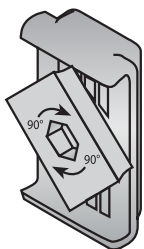
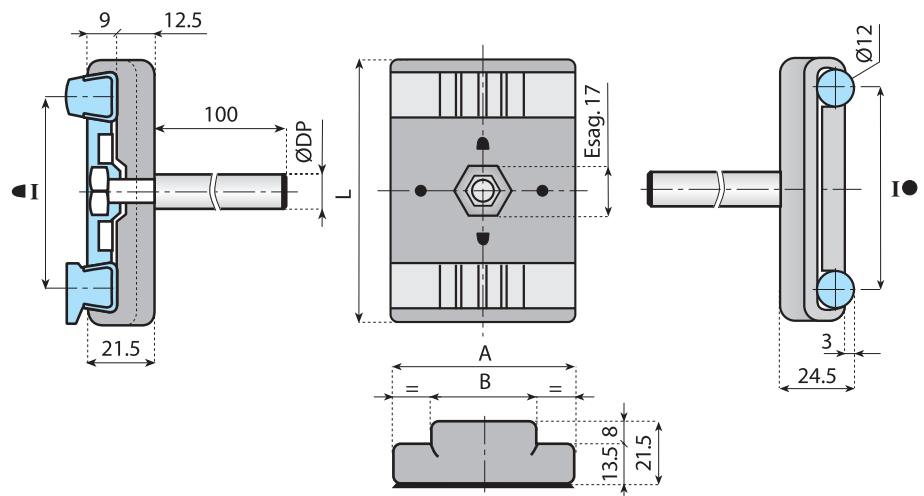
**Use:** to support rods or conical guide rails with increased centers.

**Supply:** assembled.

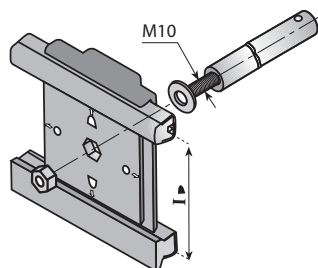
Preferred type, readily available (codes marked in red)



Flange position for assembling conical side guide



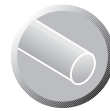
Rotate center piece 90°



Flange position for assembling  $\varnothing 12$  mm rod

Code	I ●	I ◻	L	A	B	Ø DP	
<b>13175</b>						-	
<b>13176</b>	51	47	70	43	30	12	n° 50
<b>13177</b>						14	
<b>13178</b>						16	
<b>13351</b>						-	
<b>13352</b>	69	65	90	61	35	12	n° 50
<b>13353</b>						14	
<b>13354</b>						16	
<b>13163</b>						-	
<b>13164</b>	89	85	110	80	40	12	n° 50
<b>13165</b>						14	
<b>13166</b>						16	

# Clamps for conical side guides and for round guide rails



See page 121



Nickel plated brass



AISI 303 Stainless steel



Reinforced polyamide



See pages 94 → 103



See pages 108 → 111



See page 200



Consult pages 156 → 161 for rod design

## DOUBLE CLAMP

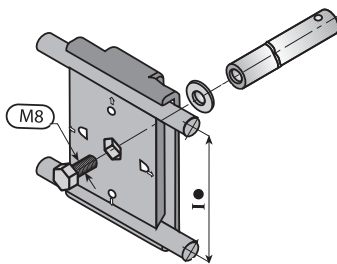
**Material:** reinforced polyamide, screw, washer and rod in stainless steel. Codes 13175F - 13351F - 13163F are supplied without rod and screw.

**Application:** the clamp is designed to be used with either the conical or Ø 12 mm round guide rails, simply by turning the internal flange plate.

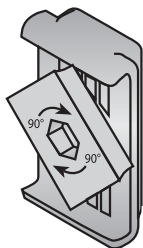
**Use:** to support rods or conical guide rails with increased centers.

**Supply:** assembled.

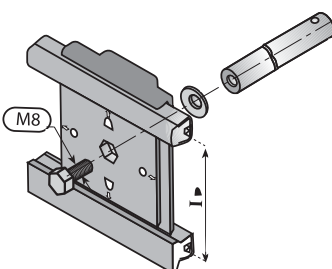
Preferred type, readily available (codes marked in red)



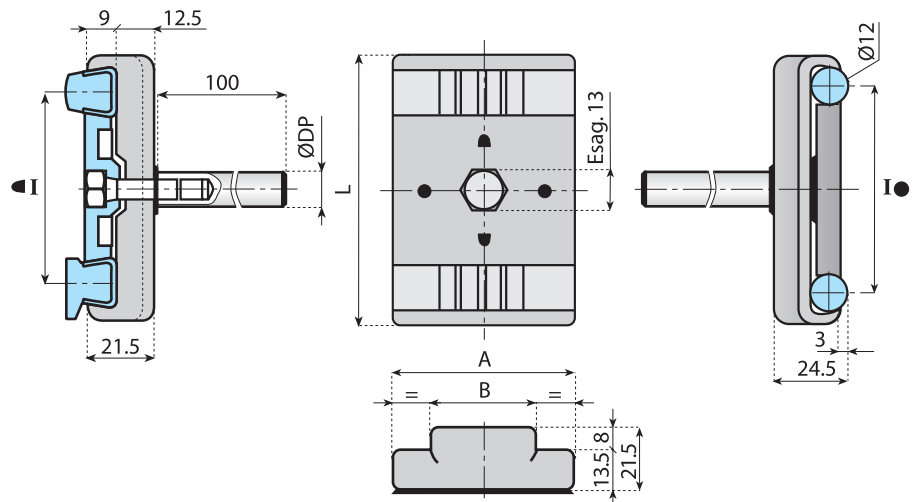
Flange position for assembling conical side guide



Rotate center piece 90°



Flange position for assembling Ø 12 mm rod



Code	I ●	I ▸	L	A	B	Ø DP	
<b>13175F</b>						-	
<b>13176F</b>	51	47	70	43	30	12	n° 50
<b>13177F</b>						14	
<b>13178F</b>						16	
<b>13351F</b>						-	
<b>13352F</b>	69	65	90	61	35	12	n° 50
<b>13353F</b>						14	
<b>13354F</b>						16	
<b>13163F</b>						-	
<b>13164F</b>	89	85	110	80	40	12	n° 50
<b>13165F</b>						14	
<b>13166F</b>						16	

# Clamps for conical side guides

 Preferred type, readily available (codes marked in red)



See pages  
94 → 103



AISI 304  
Stainless steel



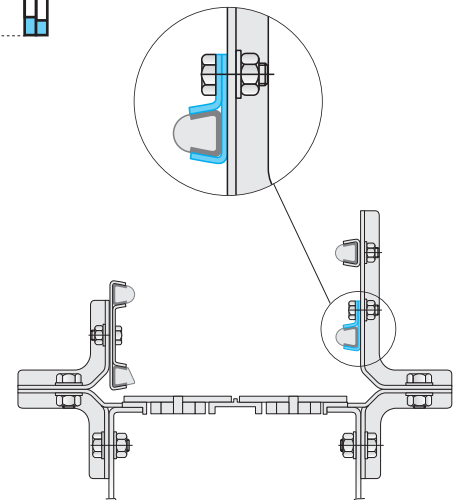
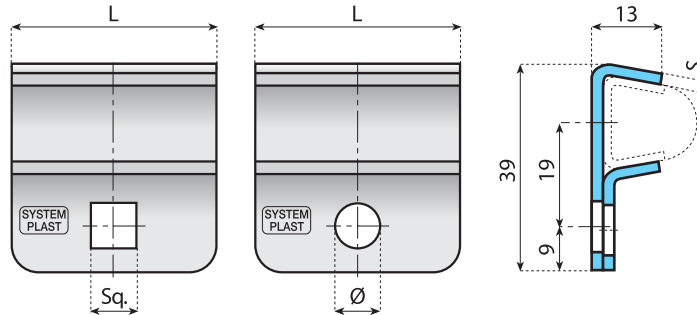
## SINGLE RAIL CLAMP


**Thickness:**  $S = 2 \text{ mm}$ .

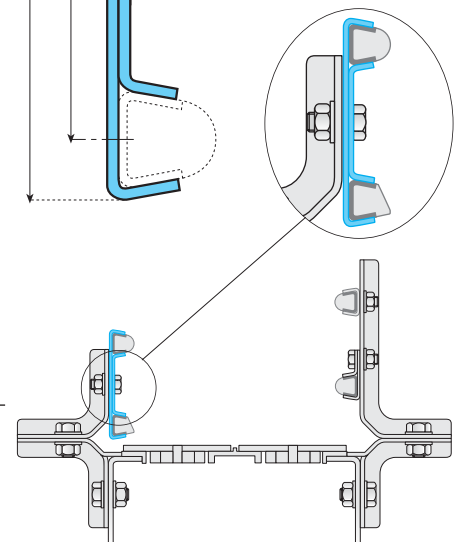
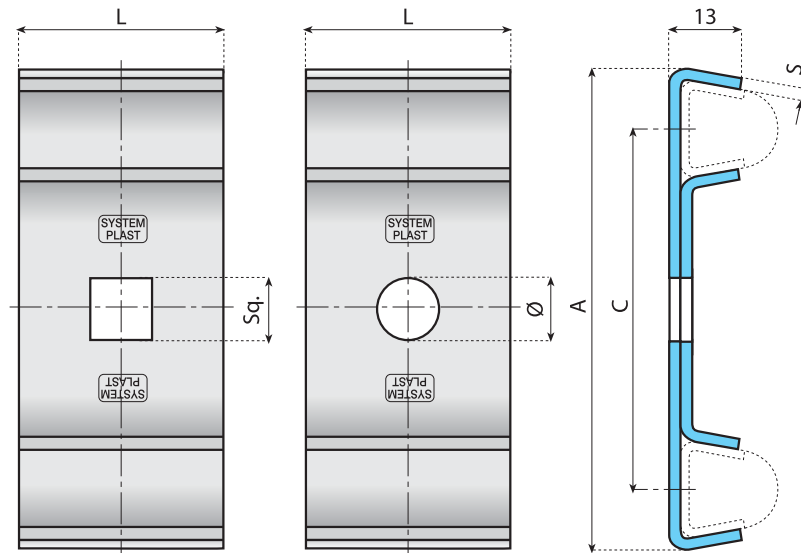
**Use:** to support conical guide.

**Note:** round hole version accepts a M8 bolt and square hole version accepts a M8 carriage bolt.

Available in two lengths 38.1 mm wide and 76.2 mm wide for splicing. Tightening bolt not included.



Code	Ref.	L mm	Ø ●	Sq. ■		Material
<b>13014</b>	VG-012-01	38.1	8.1	-		
<b>13014S</b>	VG-012-SH	38.1	-	9	n° 50	SS 304
<b>13014L</b>	VG-012-03	76.2	8.1	-		
<b>13014SL</b>	VG-012-03-SH	76.2	-	9		




## DOUBLE RAIL CLAMP

**Thickness:**  $S = 2.5 \text{ mm}$ .

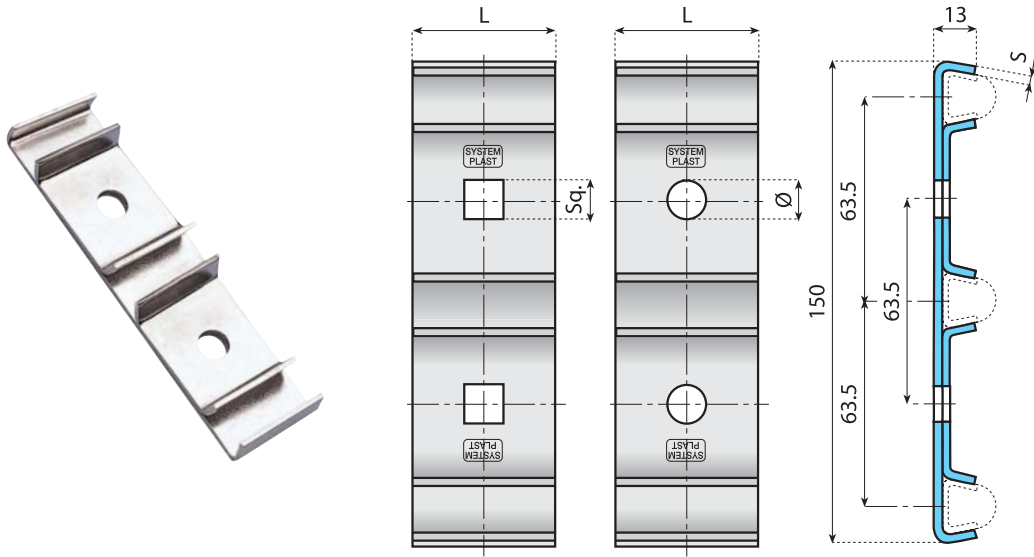
**Use:** to support conical guide.

**Note:** round hole version accepts a M8 bolt and square hole version accepts a M8 carriage bolt.

Available in two lengths 38.1 mm wide and 76.2 mm wide for splicing. Tightening bolt not included.

Code	L mm	A mm	C mm	Ø ●	Sq. ■		Material
<b>13013</b>		86	63.5	10.5	-		
<b>13013S</b>		86	63.5	-	9		
<b>131001</b>	38.1	106.5	84	10.5	-		
<b>131001S</b>		106.5	84	-	9	n° 50	SS 304
<b>131002</b>		117.7	95.2	10.5	-		
<b>131002S</b>		117.7	95.2	-	9		

# Clamps for conical side guides



See pages  
94 → 103



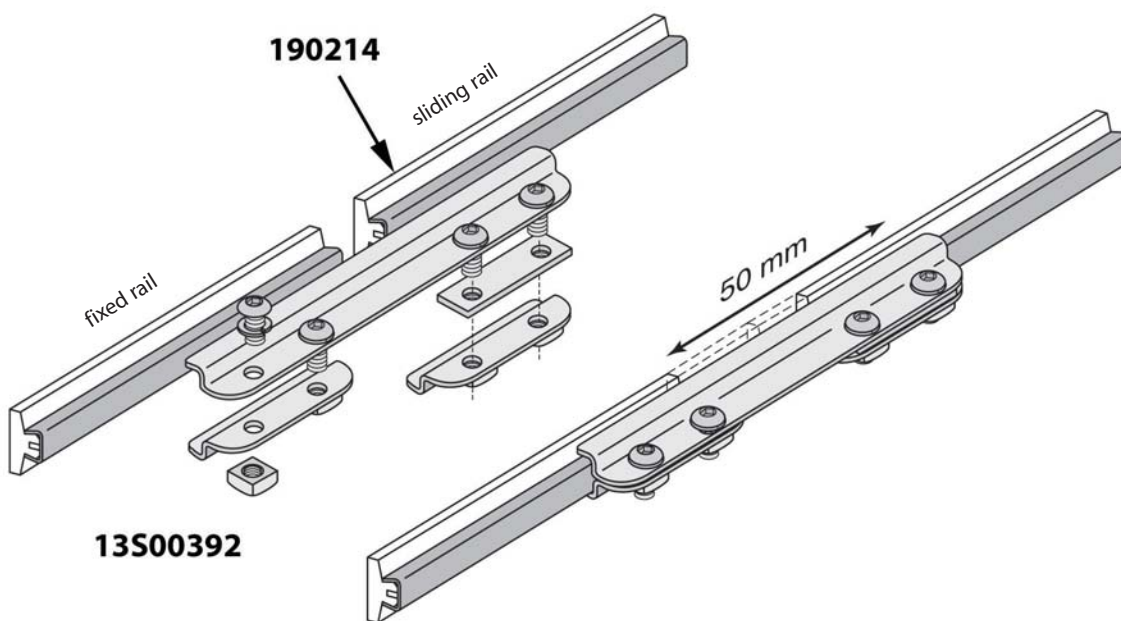
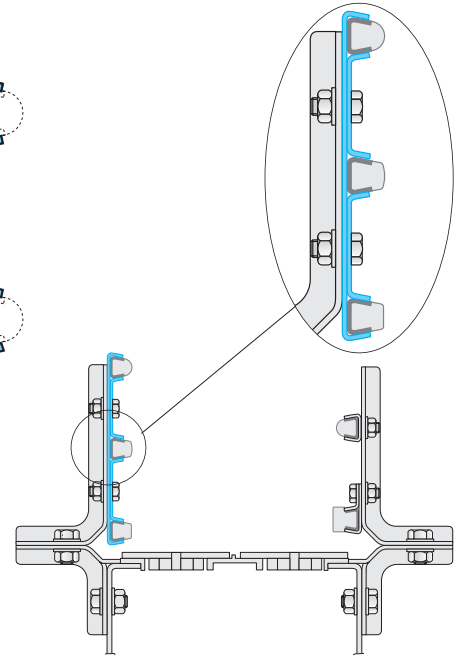
AISI 304  
Stainless steel

## TRIPLE RAIL CLAMP

**Material:** stainless steel AISI 304,  
**Thickness:**  $S = 2.5$  mm.

**Note:** used with toll containers or when large and small containers run on the same production line. Tightening bolt not included.

Code	L mm	Ø ●	Sq. ■	Material
131003	38.1	10.5	-	n° 50 SS 304
131003S	38.1	-	9	



304 Stainless steel



Par. # 6,053,654  
(USA)



## ADJUSTABLE SPLICING CLAMP

Allows one rail to slide within the clamp while the other remains fixed.

Code	Ref.	L	Material
13S00392	VG-113SM-08G	203 mm	n° 2

# Clamp for conical side guides

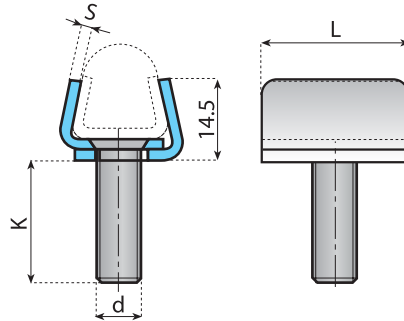
 Preferred type, readily available (codes marked in red)



AISI 304  
Stainless steel



[See pages  
94 → 103](#)




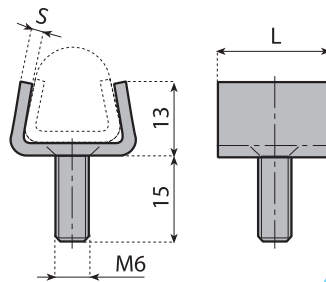
## HEAVY DUTY CLIP

**Material:** stainless steel AISI 304, thickness  $S = 2.5$  mm.

**Use:** two piece compression style for easy assembly and adjustment. Nut and washer not included.

**Note:** max recommended tightening torque 2.0 Kgm.

Code	Ref.	L mm	K mm	d thread size	
<b>131004</b>	VG-018M-01		15.2		
<b>131005</b>	VG-018M-02		20		
<b>131006</b>	VG-018M-03	26	25.5	M8	n° 100
<b>131007</b>	VG-018M-04		30		



*Light  
duty*




AISI 304  
Stainless steel

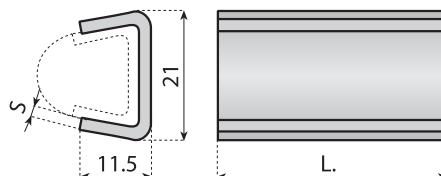
## SINGLE CLAMP

**Material:** stainless steel AISI 304, thickness  $S = 2.5$  mm.

**Use:** easy assembly of guide profiles.

**Note:** max recommended tightening torque 1.8 Kgm.

Code	L	
<b>13796</b>	20 mm	n° 100




AISI 304  
Stainless steel

## CONNECTING ELEMENT

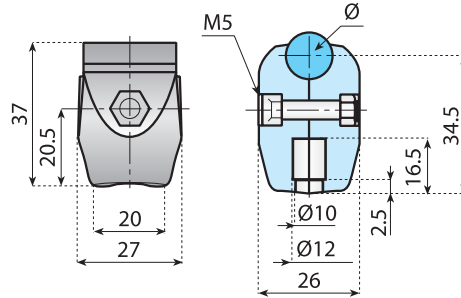
**Material:** stainless steel AISI 304, thickness  $S = 2.5$  mm.

**Use:** to connect two guide rails. The part can be tapped on with a hammer.

Code	L	
<b>13015</b>	38 mm	n° 50
<b>13120</b>	50 mm	

# Clamps for round profile guides

Preferred type, readily available (codes marked in red)



AISI 303  
Stainless steel



Reinforced  
polyamide



[Consult see page 121 for roud profile](#)

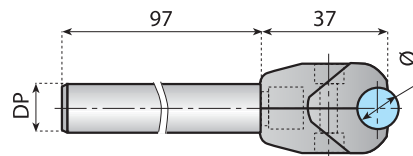


[Consult pages 156 → 160 for rod design](#)

## SINGLE CLAMP

**Material:** clamp in reinforced polyamide, bolt in stainless steel nut in nickel plated brass.  
**Supply:** assembled.

Code	For guide Ø	
<b>13960</b>	8	n° 50
<b>13961</b>	10	
<b>13721</b>	12	
<b>13725</b>	14	



AISI 303  
Stainless steel



Reinforced  
polyamide



[Consult see page 121 for roud profile](#)



[Consult pages 156 → 160 for rod design](#)

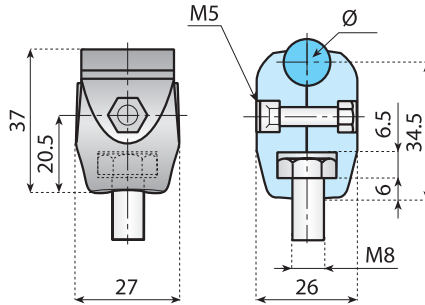
## SINGLE CLAMP WITH ROD

**Material:** clamp in reinforced polyamide, bolt in stainless steel nut in nickel plated brass, rod in stainless steel AISI 303.  
**Supply:** assembled.

Code	DP	For guide Ø	
<b>13962</b>	12	8	n° 50
<b>13963</b>	14		
<b>13964</b>	16		
<b>13965</b>	12	10	n° 50
<b>13966</b>	14		
<b>13967</b>	16		
<b>13722</b>	12	12	n° 50
<b>13723</b>	14		
<b>13724</b>	16		
<b>13726</b>	12	14	n° 50
<b>13727</b>	14		
<b>13728</b>	16		

# Clamps for round profile guides

 Preferred type, readily available (codes marked in red)



AISI 303  
Stainless steel



Reinforced  
polyamide



Consult see page  
121  
for roud profile



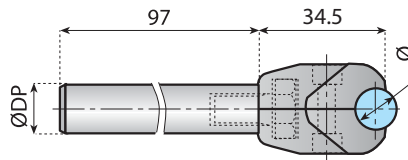
Consult pages  
156 → 160  
for rod design

## SINGLE CLAMP

**Material:** clamp in reinforced polyamide, bolt in stainless steel nut in nickel plated brass.

**Supply:** assembled.

Code	For guide Ø	
<b>13968</b>	8	n° 50
<b>13969</b>	10	
<b>13729</b>	12	
<b>13733</b>	14	



AISI 303  
Stainless steel



Reinforced  
polyamide



Consult see page  
121  
for roud profile



Consult pages  
156 → 160  
for rod design

## SINGLE CLAMP WITH ROD

**Material:** clamp in reinforced polyamide, bolt in stainless steel nut in nickel plated brass, rod in stainless steel AISI 303.

**Supply:** assembled.

Code	DP	For guide Ø	
<b>13970</b>	12	8	n° 50
<b>13971</b>	14		
<b>13972</b>	16		
<b>13973</b>	12	10	n° 50
<b>13974</b>	14		
<b>13975</b>	16		
<b>13730</b>	12	12	n° 50
<b>13731</b>	14		
<b>13732</b>	16		
<b>13734</b>	12	14	n° 50
<b>13735</b>	14		
<b>13736</b>	16		

# Clamps for round profile guides

Preferred type, readily available (codes marked in red)



AISI 304  
Stainless steel



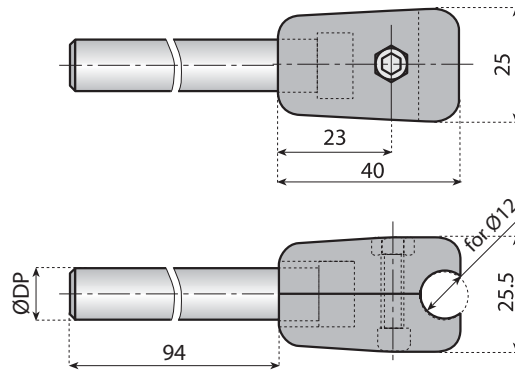
Reinforced  
polyamide



Consult see page  
121  
for roud profile



Consult pages  
156 → 160  
for rod design



## SINGLE CLAMP

**Material:** clamp in reinforced polyamide, bolt and rod in stainless steel nut in nickel plated brass.

**Supply:** assembled.

**Note:** code 13745 is supplied without rod.

Code	DP	
13745	-	
13977	12	n° 50
13978	14	
13979	16	



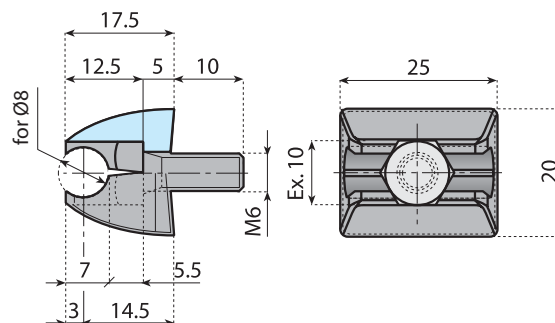
AISI 304  
Stainless steel



Reinforced  
polyamide



Consult see page  
121  
for roud profile



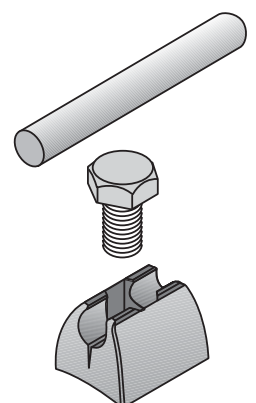
## CLIP-ON SINGLE CLAMP

**Material:** clamp in polyamide, bolt stainless steel

**Use:** with round profile guide Ø8 mm.

**Supply:** assembled.

Code	
13980	n° 100



# Clamps for round profile guides

 Preferred type, readily available (codes marked in red)



AISI 304  
Stainless steel



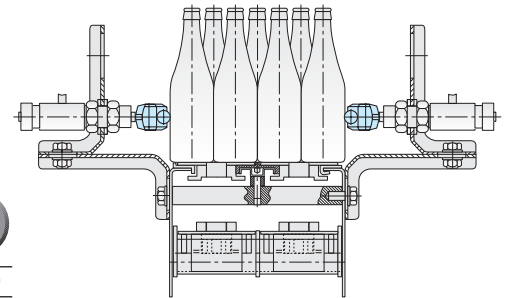
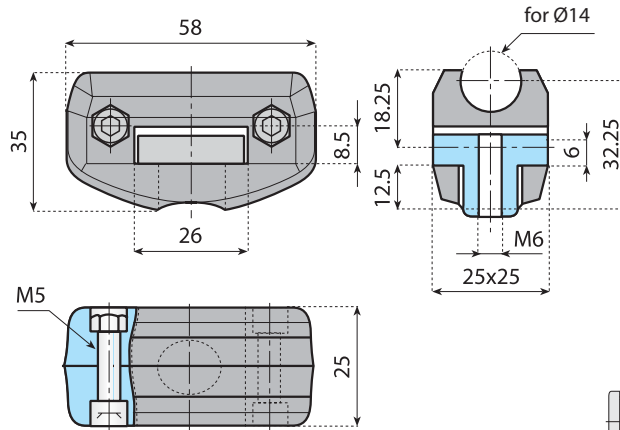
Reinforced  
polyamide



[Consult see page 121 for roud profile](#)



[Consult pages 156 → 160 for rod design](#)



## SINGLE CLAMP

**Material:** clamp in reinforced polyamide, bolt in stainless steel, nut and threaded bushing in nickel plated brass.

**Use:** with round profile guide Ø14 mm.

**Supply:** assembled.

Code  
**13742**



n° 50



AISI 304  
Stainless steel



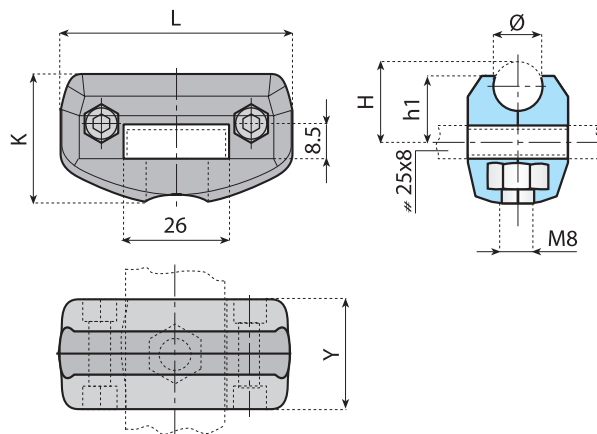
Reinforced  
polyamide



[Consult see page 121 for roud profile](#)



[Accessories](#)



Range  
extension

## ADJUSTABLE CLAMP

**Material:** clamp in reinforced polyamide, bolt in stainless steel, nut in nickel plated brass.

**Supply:** assembled.

Code	Ø	L	K	Y	H	h1	
<b>13743</b>	8	58	33	21	18	16	n° 50
<b>13741</b>	10	58	33	21	18.5	16	
<b>13744NV</b>	12	59	34.5	24	21	19	
<b>13740</b>	14	58	34	25	22	17.5	



# Clamps for round profile guides

Preferred type, readily available (codes marked in red)



AISI 304  
Stainless steel



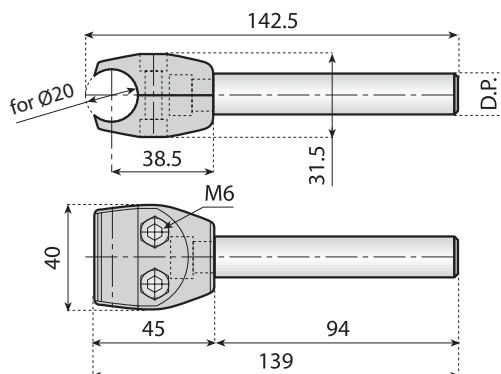
Reinforced  
polyamide



[Consult see page 121 for roud profile](#)



[Consult pages 156 → 160 for rod design](#)



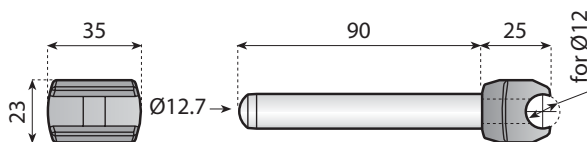
## DOUBLE CLAMP WITH ROD

**Material:** clamp in reinforced polyamide, bolt nut and rod in stainless steel.

**Supply:** assembled.

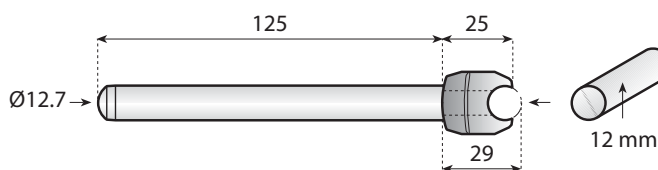
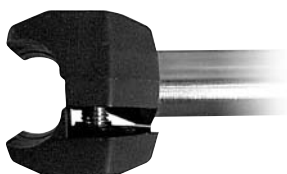
**Note:** code 13771 is supplied without rod.

Code	DP	
<b>13771</b>	—	
<b>13772</b>	12	n° 50
<b>13773</b>	14	
<b>13774</b>	16	



Par.  
# 5,626,221  
(USA)

Code	Ref.		
<b>13500253</b>	VG-032-12-35	90 mm	n°10



## SINGLE CLAMP WITH ROD

**Material:** clamp in reinforced polyamide, bolt in stainless steel, nut in nickel plated brass, rod in stainless steel AISI 303.

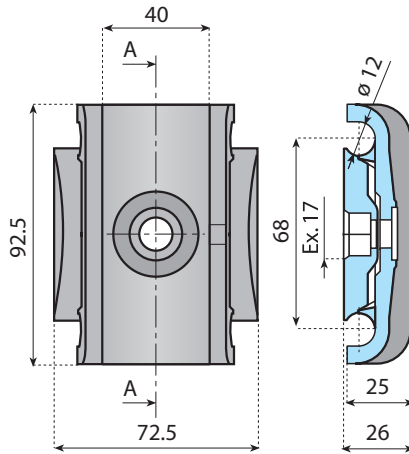
**Supply:** assembled.

Code	Ref.		
<b>13500254</b>	VG-032-12-50	125 mm	n°10

# Clamps for round profile guides

 Preferred type, readily available (codes marked in red)

**IMPROVED DESIGN**



**SS 304**

AISI 304  
Stainless steel

**PA FG**

Reinforced polyamide



[Consult see page 121 for round profile](#)



[Consult pages 156 → 160 for rod design](#)

Code

**13761XP**



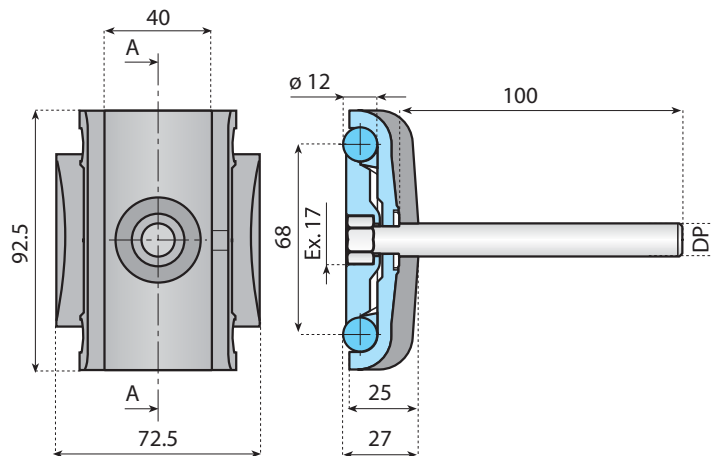
n° 50

## DOUBLE CLAMP WITH ROD

**Material:** clamp in reinforced polyamide, nut and rod in stainless steel.

**Supply:** assembled.

**Note:** code 13761XP is supplied without rod.



Code

**13770XP**

**13772XP**

**13773XP**

DP

12

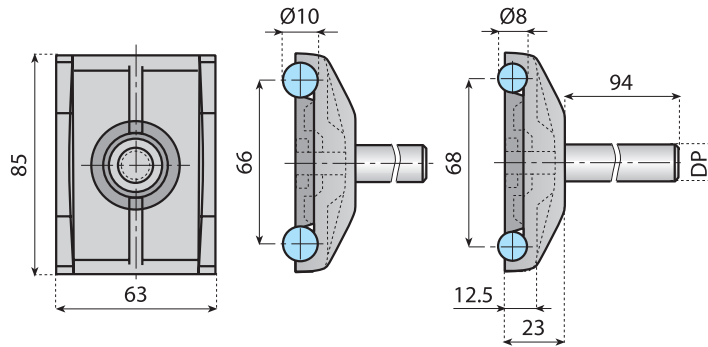
14

16



n° 50

# Clamps for round profile guides



## DOUBLE CLAMP FOR ROUND PROFILE GUIDES Ø 8-10 mm

**Material:** clamp in reinforced polyamide bolt, nut and rod in stainless steel.

**Note:** code 13754 is supplied without rod.

**Use:** round profile guides (8 or 10 mm) can be used simply turning the flange position.

Code	DP	
13754	-	
13755	12	n° 50
13756	14	
13757	16	



AISI 304  
Stainless steel



Reinforced  
polyamide



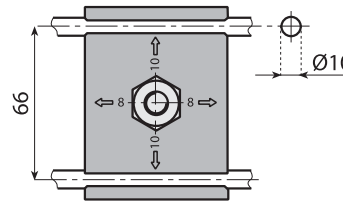
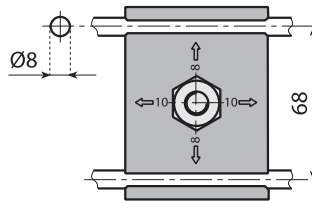
[Consult see page 121 for roud profile](#)



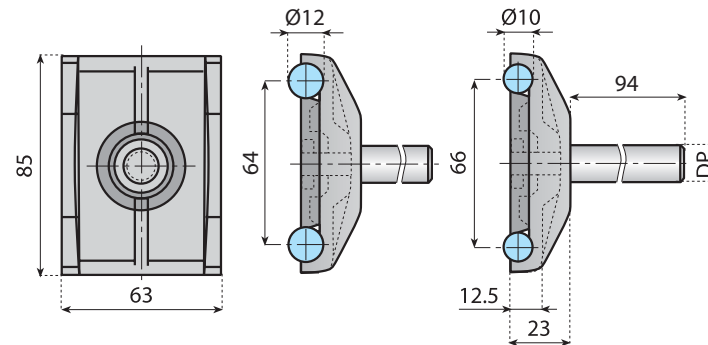
[Consult pages 156 → 160 for rod design](#)

Flange position for assembling guides with diam. d = 8 mm.

Flange position for assembling guides with diam. d = 10 mm.



*Application example*



## DOUBLE CLAMP FOR ROUND PROFILE GUIDES Ø 10-12 mm

**Material:** clamp in reinforced polyamide bolt, nut and rod in stainless steel AISI 304

**Note:** code 13777 is supplied without rod.

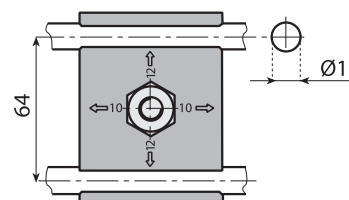
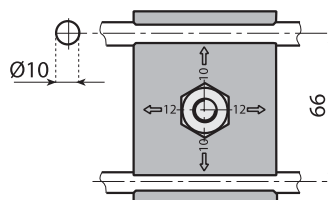
**Use:** round profile guides (10 or 12 mm) can be used simply turning the flange position.

Code	DP	
13777	-	
13778	12	n° 50
13779	14	
13780	16	



Flange position for assembling guides with diam. d = 10 mm

Flange position for assembling guides with diam. = 12 mm



*Application example*

# Clamps for standard side guides

 Preferred type, readily available (codes marked in red)



Nickel plated brass



AISI 303 Stainless steel



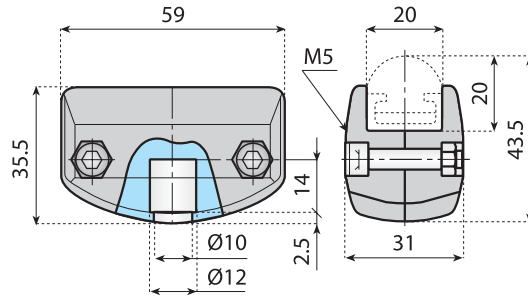
Reinforced polyamide



[See page 115](#)



[Consult pages 156 → 160 for rod design](#)



Code

**13001**

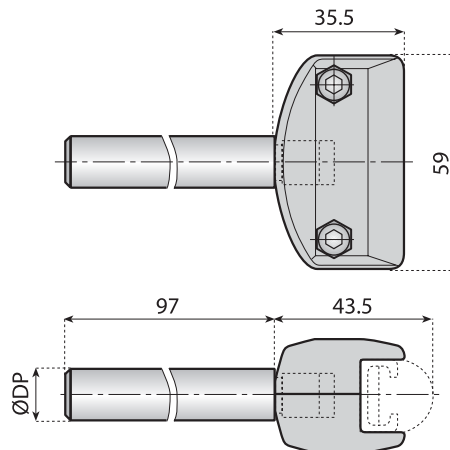


n° 100

## SINGLE CLAMP

**Material:** clamp in reinforced polyamide, bolt in stainless steel, nut in nickel plated brass.

**Supply:** assembled.



Code

**13002**

**13003**

**13004**

DP

12

14

16

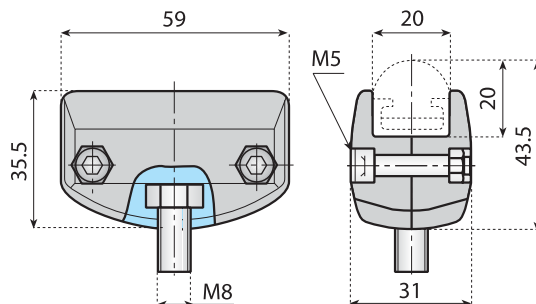


n° 50

## SINGLE CLAMP WITH ROD

**Material:** clamp in reinforced polyamide, bolt in stainless steel, nut in nickel plated brass, rod in stainless steel AISI 303.

**Supply:** unassembled.



Code

**13184**



n° 100

## SINGLE CLAMP

**Material:** clamp in reinforced polyamide, bolt in stainless steel, nut in nickel plated brass.

**Supply:** assembled.

# Clamps for standard side guides

Preferred type, readily available (codes marked in red)



Nickel plated brass



AISI 303 Stainless steel



Reinforced polyamide



See page 115



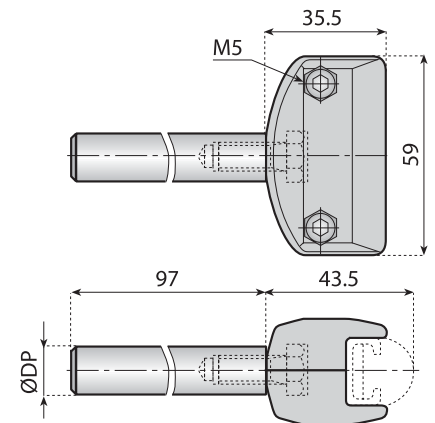
Consult pages 156 → 160 for rod design



## SINGLE CLAMP WITH ROD

**Material:** clamp in reinforced polyamide, bolt in stainless steel, nut in nickel plated brass, rod in stainless steel AISI 303.  
**Supply:** unassembled.

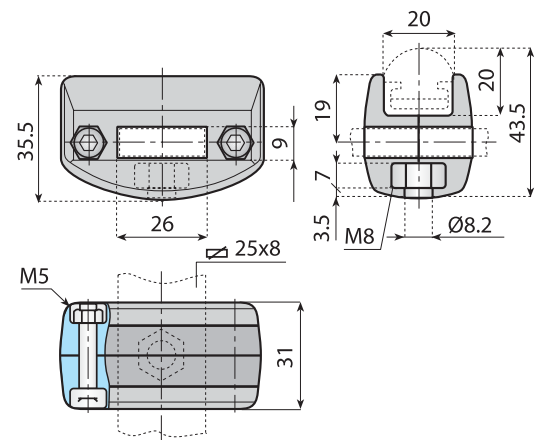
Code	DP	
<b>13797</b>	12	n° 50
<b>13798</b>	14	
<b>13799</b>	16	



## ADJUSTABLE SINGLE CLAMP

**Material:** clamp in reinforced polyamide, bolt in stainless steel, nut in nickel plated brass.  
**Supply:** assembled.

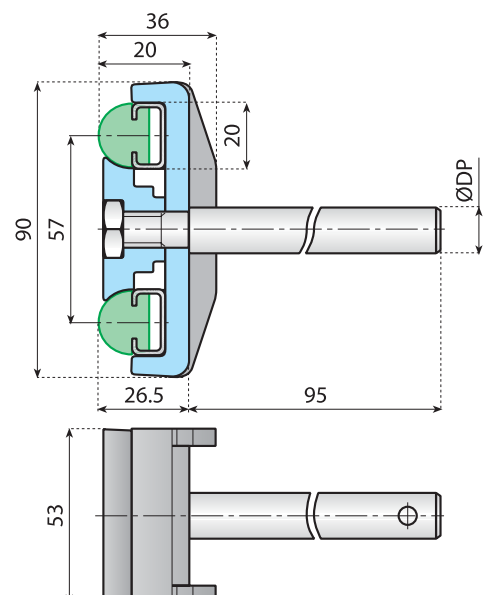
Code	DP	
<b>13005</b>	-	n° 50



## DOUBLE CLAMP WITH ROD

**Material:** clamp in reinforced polyamide, nut and rod in stainless steel.  
**Note:** code 13525 is supplied without rod.  
**Supply:** unassembled.

Code	DP	
<b>13525</b>	-	n° 50
<b>13526</b>	12	
<b>13527</b>	14	
<b>13720</b>	16	



# Accessories for flat side guides

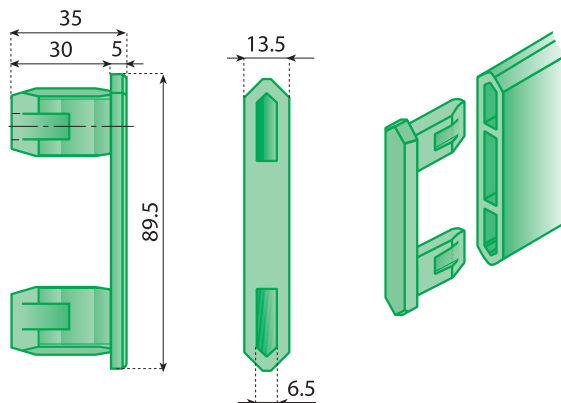
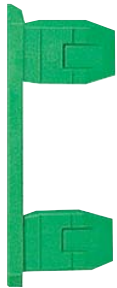
 Preferred type, readily available (codes marked in red)



Reinforced polyamide



[See page 118](#)



## END-PLUG

**Use:** with flat side guide code 19098 - 19098L

Code

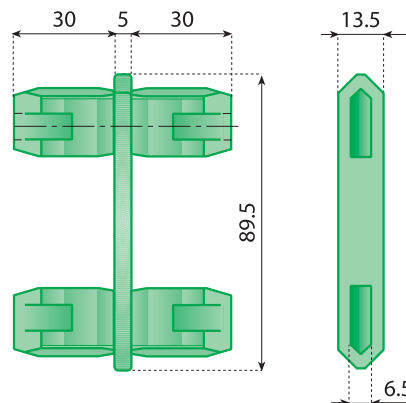
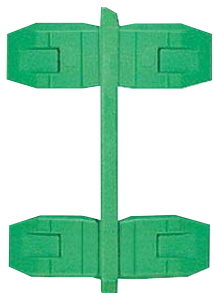
**13995**



n° 10



PA-FG



## CONNECTING PLUG

**Use:** with flat side guide code 19098 - 19098L

Code

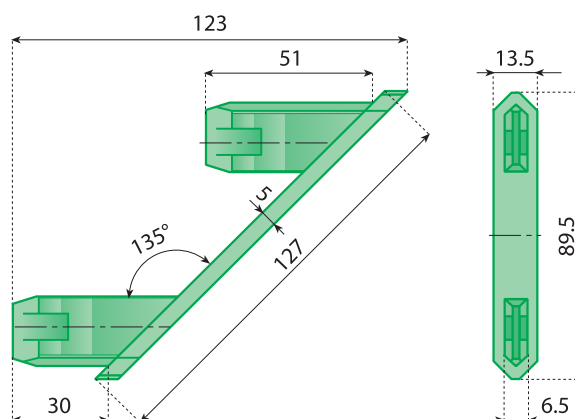
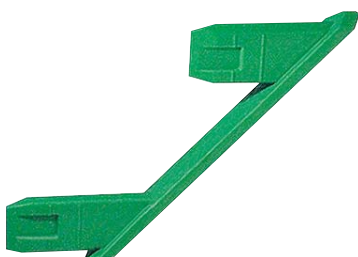
**13996**



n° 10



PA-FG



## END-PLUG

**Use:** with flat side guide code 19098 - 19098L

Code

**13997**



n° 10



PA-FG

# Clamps for flat side guide

Preferred type, readily available (codes marked in red)



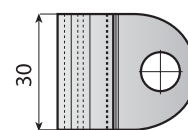
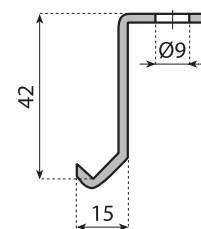
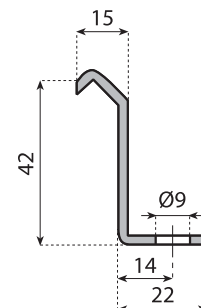
See page  
[118](#)



AISI 304  
Stainless steel



Consult pages  
[156](#) - [160](#)  
for rod design



## FIXING CLAMP

**Thickness:**  $S = 3$  mm.

**Surface:** tumbling finish.

**Use:** with flat side guide code 19098 - 19098L

**Note:** the clamp is supplied without rod and bolt.

**Supply:** unassembled.

Code

**13994**

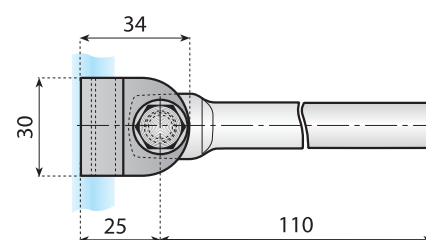
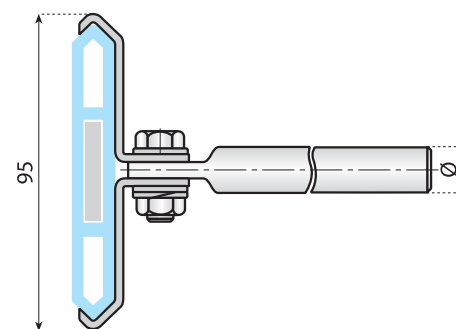


n° 50



Material

SS 304



## FIXING CLAMP WITH ROD

**Material:** clamp, rod, screw and washer in stainless steel.

**Thickness:**  $S = 3$  mm.

**Surface:** tumbling finish.

**Use:** with flat side guide code 19098 - 19098L

**Supply:** unassembled.

Code

**13982**

**13983**

**13984**

Rod  $\varnothing$

12

14

16



n° 50

# Accessories for side guide (large type)

 Preferred type, readily available (codes marked in red)



AISI 304  
Stainless steel



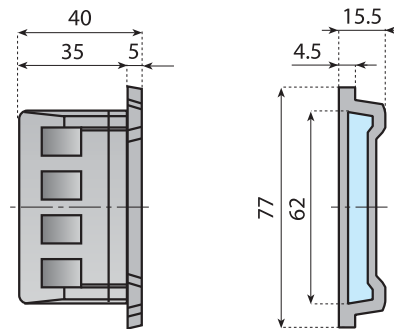
Reinforced  
polyamide



See page  
118



Consult pages  
156 → 160  
for rod design



## END-PLUG

Use: with side guide rails code 19082 - 19082L

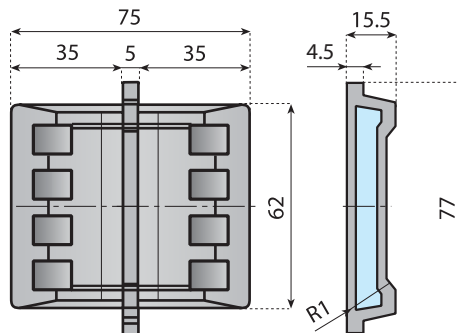
Code  
**13784**



n° 10



Material  
PA-FG



## PLUG

Use: with side guide code 19082 - 19082L

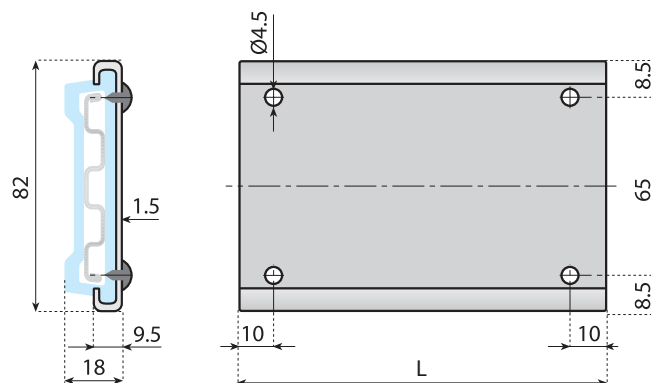
Code  
**13785**



n° 10



Material  
PA-FG



## COMBINER-CLAMP

**Material:** clamp and screws in stainless steel AISI 304.

**Thickness:** S = 1.5 mm.

**Surface:** scoch brite finish.

**Use:** with side guide code 19082 - 19082L

**\*Packaging:** 10 pieces, complete with fixing screws.

Code  
**13836**  
**18333**

L

100

150



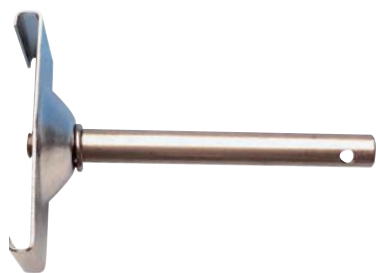
n° 10\*



Material  
SS 304

# Clamps for side guide (large type)

Preferred type, readily available (codes marked in red)



## FIXING CLAMP One piece

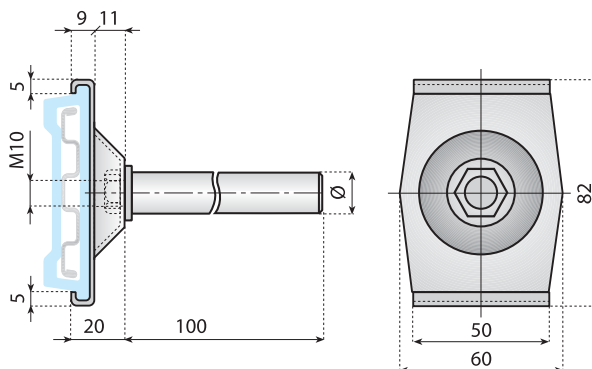
**Material:** clamp, washer and rod in stainless steel AISI 304.

**Thickness:**  $S = 1.5$  mm.

**Surface:** scotch brite finish.

**Note:** code 13171 is supplied without rod.

**Supply:** unassembled.



### Code

Code	For rod $\varnothing$ (mm)	Material
13171	-	-
13172	12	n° 50
13173	14	SS 304
13174	16	



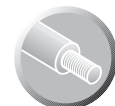
Reinforced polyamide



AISI 304  
Stainless steel



[See page 118](#)

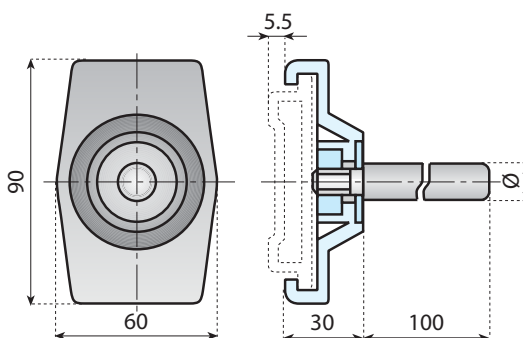


[Consult pages 156 → 160 for rod design](#)



## FIXING CLAMP

**Material:** clamp in reinforced polyamide, bolt and rod in stainless steel.



### Code

Code	For rod $\varnothing$ (mm)	Material
13719	-	-
13737	12	n° 50
13738	14	
13739	16	



## FIXING CLAMP Two pieces

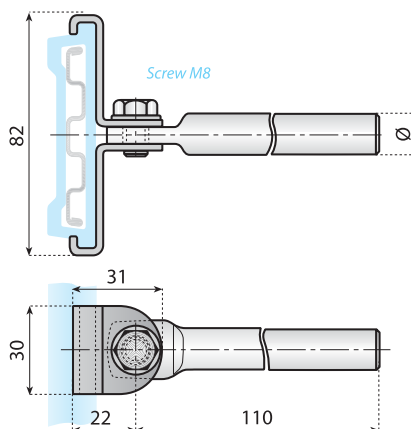
**Material:** clamp, screws, washer and rod in stainless steel AISI 304.

**Thickness:**  $S = 3$  mm.

**Surface:** tumbling finish.

**Note:** code 13834 is supplied without rod.

**Supply:** unassembled.



### Code

Code	For rod $\varnothing$ (mm)	Material
13834	-	-
13985	12	n° 50
13986	14	SS 304
13987	16	

# Accessories for side guides (extra large type)

 Preferred type, readily available (codes marked in red)



AISI 304  
Stainless steel



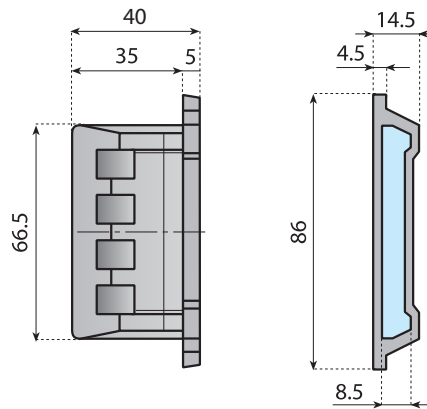
Reinforced  
polyamide



See page  
118



Consult pages  
156 → 160  
for rod design



## END-PLUG

**Material:** reinforced polyamide.

**Use:** with extra side guide code 19050 - 19050L

**Packaging:** 10 pieces.

Code

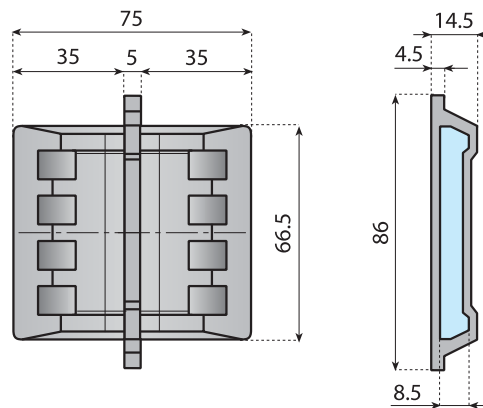
**13786**



n° 10



PA-FG



## COMBINER-PLUG

**Use:** with extra side guide code 19050 - 19050L

Code

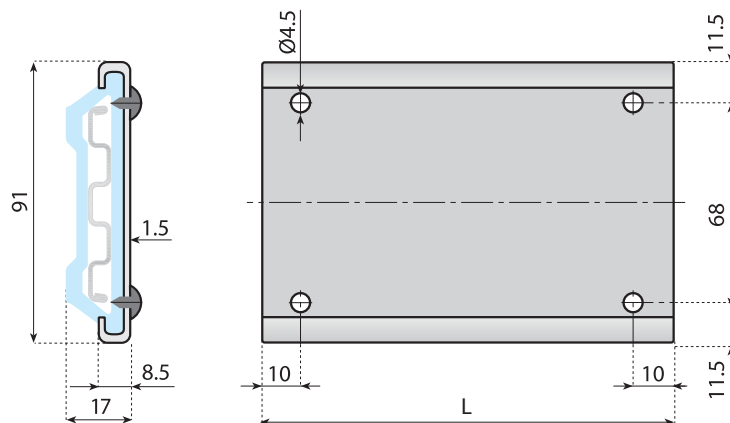
**13787**



n° 10



PA-FG



## COMBINER-CLAMP

**Material:** clamp and screws in stainless steel AISI 304.

**Thickness:** S = 1.5 mm.

**Surface:** scotch brite finish.

**Use:** with extra side guide code 19050 - 19050L

**\*Packaging:** 10 pieces, complete with fixing screws.

Code

**13837**

**18334**

L

100

150



n° 10\*



SS 304

# Clamps for side guide (extra large type)

Preferred type, readily available (codes marked in red)



AISI 304  
Stainless steel



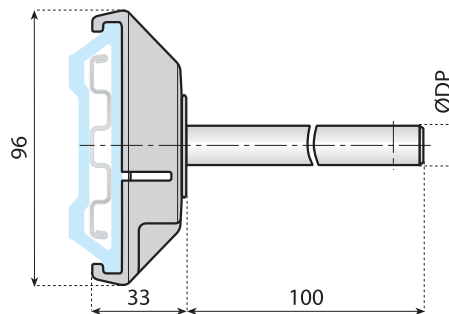
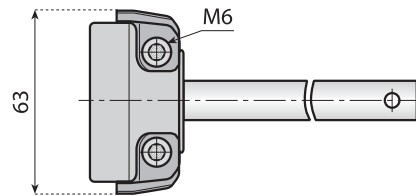
Reinforced  
polyamide



[See page 118](#)



[Consult pages 156 → 160 for rod design](#)



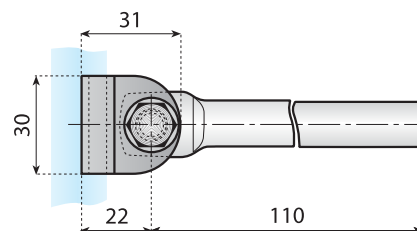
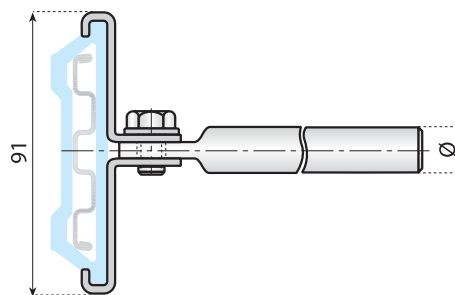
## CLAMPS

**Material:** clamp in reinforced polyamide, bolt and rod in stainless steel.

**Supply:** unassembled.

**Note:** code 13718 is supplied without rod.

Code	Ø DP	
<b>13718</b>	-	
<b>13715</b>	12	n° 50
<b>13716</b>	14	
<b>13717</b>	16	



## FIXING CLAMP

**Thickness:** S = 2 mm.

**Surface:** tumbling finish.

**Use:** with extra side guide code 19050 - 19050L.

**Note:** code 13835 is supplied without rod and bolt.

**Supply:** unassembled.

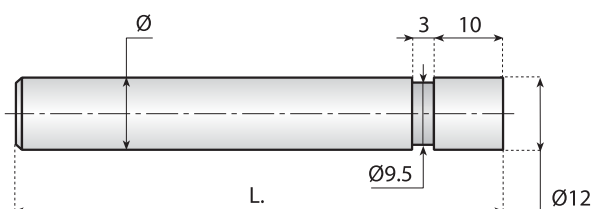
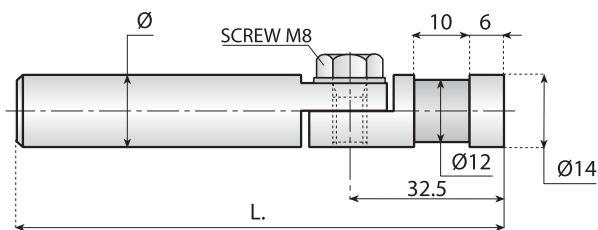
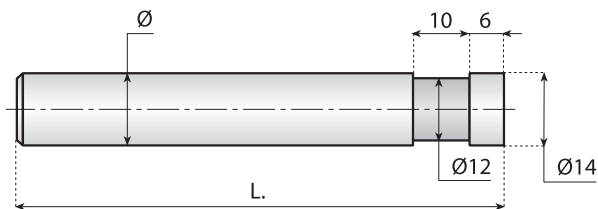
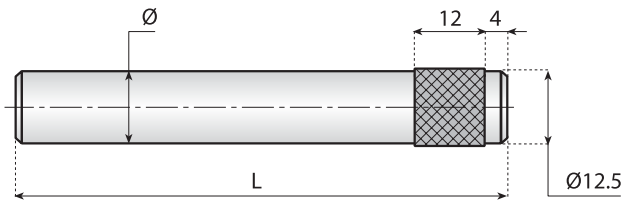
Code	For rod Ø (mm)		Material
<b>13835</b>	-		
<b>13494</b>	12	n° 50	SS 304
<b>13495</b>	14		
<b>13496</b>	16		

# Adjusting rods

 Preferred type, readily available (codes marked in red)




AISI 303  
Stainless steel




## ADJUSTING RODS

Use: with code 13006 - 13745 - 13771

Code	For rod Ø (mm)	L		Material
<b>13901</b>	12	110	n° 50	SS 303
<b>13902</b>	12	160	n° 50	SS 303


## ADJUSTING RODS

Use: with code 13006 - 13745 - 13771

Code	For rod Ø (mm)	L		Material
<b>13903</b>	14	110	n° 50	SS 303
<b>13904</b>	14	160	n° 50	SS 303
<b>13905</b>	16	110	n° 50	SS 303
<b>13906</b>	16	160	n° 50	SS 303


## ADJUSTING RODS

Use: with code 13006 - 13745 - 13771

Code	For rod Ø (mm)	L		Material
<b>13775</b>	16	150	n° 50	SS 303
<b>13776</b>	16	250	n° 50	SS 303

## ADJUSTING RODS

Use: with code 13788 - 13002 - 13721 - 13725

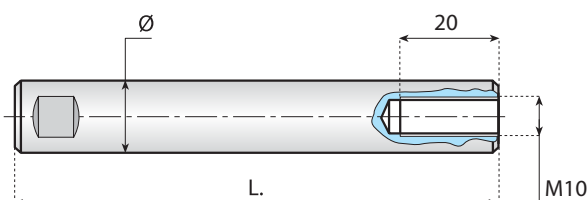
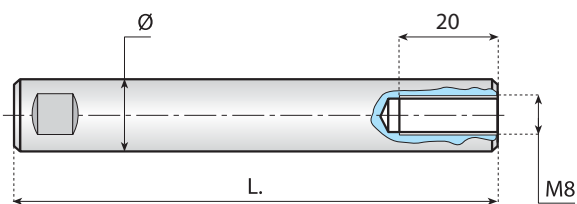
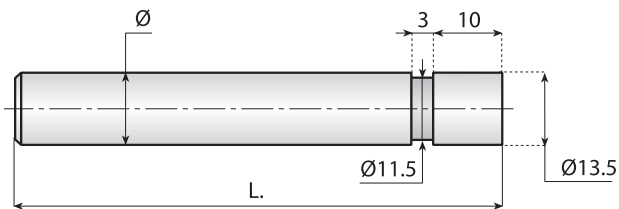
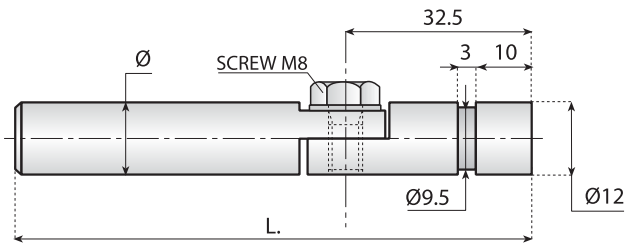
Code	For rod Ø (mm)	L		Material
<b>131153</b>		90		
<b>13933</b>	12	110	n° 50	SS 303
<b>131154</b>	12	140	n° 50	SS 303
<b>13934</b>	12	160	n° 50	SS 303
<b>131155</b>	12	190	n° 50	SS 303
<b>13935</b>	14	110	n° 50	SS 303
<b>13936</b>	14	160	n° 50	SS 303
<b>13937</b>	16	110	n° 50	SS 303
<b>13938</b>	16	160	n° 50	SS 303

# Adjusting rods

Preferred type, readily available (codes marked in red)



AISI 303  
Stainless steel



## ADJUSTING RODS

Use: with code 13788 - 13001 - 13721 - 13725

Code	For rod Ø (mm)	L		Material
<b>13939</b>	16	150	n° 50	SS 303
<b>13940</b>	16	250	n° 50	SS 303

## ADJUSTING RODS

Use: with code 13006NV

Code	For rod Ø (mm)	L		Material
<b>13907</b>	14	110	n° 50	SS 303
<b>13908</b>	14	160	n° 50	SS 303
<b>13909</b>	16	110	n° 50	SS 303
<b>13910</b>	16	160	n° 50	SS 303

## ADJUSTING RODS

Use: with code 13012 - 13013 - 13014  
13792 - 13184 - 13729 - 13733

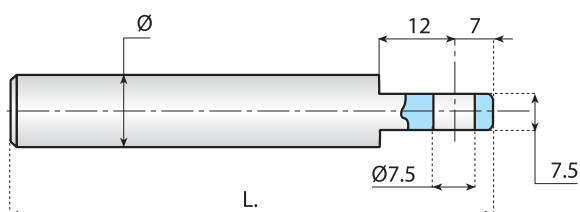
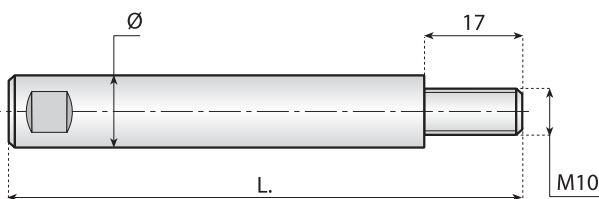
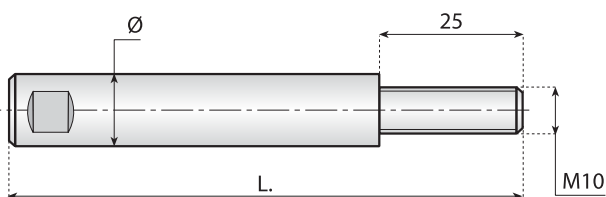
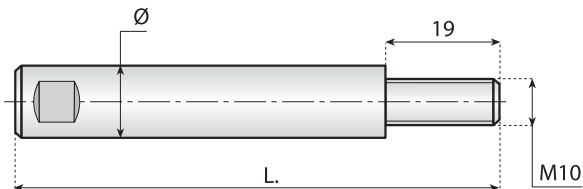
Code	For rod Ø (mm)	L		Material
<b>13911</b>		80		
<b>13912</b>	12	100	n° 50	SS 303
<b>13913</b>		150		
<b>131137</b>		200		
<b>13914</b>		100		
<b>13915</b>	14	150	n° 50	SS 303
<b>131138</b>		200		
<b>13916</b>		100		
<b>13917</b>	16	150	n° 50	SS 303
<b>131139</b>		200		

## ADJUSTING RODS

Code	For rod Ø (mm)	L		Material
<b>131140</b>		100		
<b>131141</b>	12	125	n° 50	SS 303
<b>131142</b>		200		
<b>131143</b>		100		
<b>131130</b>		120		
<b>131144</b>	14	150	n° 50	SS 303
<b>131131</b>		170		
<b>131145</b>		200		
<b>131146</b>		250		
<b>131134</b>		95		
<b>131132</b>		120		
<b>131147</b>	16	150	n° 50	SS 303
<b>131133</b>		170		
<b>131148</b>		200		
<b>131149</b>		250		


# Adjusting rods

 Preferred type, readily available (codes marked in red)




## ADJUSTING RODS

**Use:** with code 13008NV - 13777 - 13761  
13163 - 13754 - 13718 - 13761NV

Code	For rod Ø (mm)	L		Material
<b>13918</b>	12	120	n° 50	SS 303
<b>13919</b>		170		
<b>13920</b>	14	120	n° 50	SS 303
<b>13921</b>		170		
<b>13922</b>	16	120	n° 50	SS 303
<b>13923</b>		170		


## ADJUSTING RODS

**Use:** with code 13525.

Code	For rod Ø (mm)	L		Material
<b>13941</b>	12	120	n° 50	SS 303
<b>13942</b>		170		
<b>13943</b>	14	120	n° 50	SS 303
<b>13944</b>		170		
<b>13945</b>	16	120	n° 50	SS 303
<b>13946</b>		170		


## ADJUSTING RODS

**Use:** with code 13171.

Code	For rod Ø (mm)	L		Material
<b>131150</b>		90		
<b>13947</b>		120		
<b>131151</b>	12	140	n° 50	SS 303
<b>13948</b>		170		
<b>131152</b>		210		
<b>13950</b>	14	120	n° 50	SS 303
<b>13951</b>		170		
<b>131135</b>		104		
<b>13952</b>	16	120	n° 50	SS 303
<b>13953</b>		170		

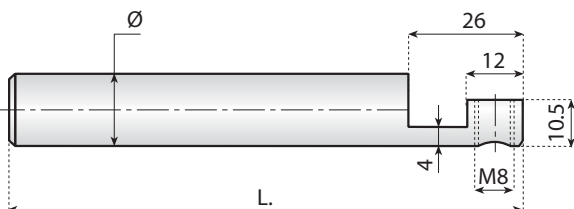
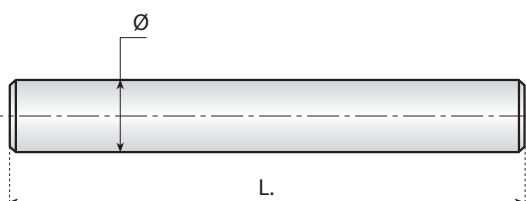
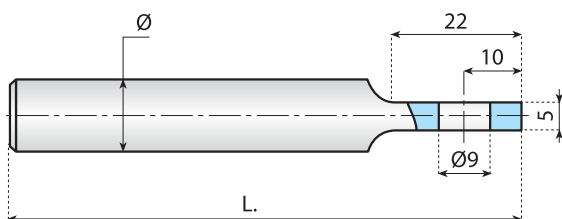
## ADJUSTING RODS

**Use:** with code 13167.

Code	For rod Ø (mm)	L		Material
<b>13924</b>	12	120	n° 50	SS 303
<b>13925</b>		170		
<b>13926</b>	14	120	n° 50	SS 303
<b>13927</b>		170		
<b>13928</b>	16	120	n° 50	SS 303
<b>13929</b>		170		

# Adjusting rods

Preferred type, readily available (codes marked in red)



## ADJUSTING RODS

Use: with code 13829 - 13850 - 13800 - 13833.

Code	For rod Ø (mm)	L		Material
<b>13954</b>	12	120	n° 50	SS 303
<b>13955</b>	12	170		
<b>13956</b>	14	120	n° 50	SS 303
<b>13957</b>	14	170		
<b>13958</b>	16	120	n° 50	SS 303
<b>13959</b>	16	170		

## ADJUSTING RODS

Code	For rod Ø (mm)	L		Material
<b>131112</b>	12	200		
<b>131113</b>	12	250	n° 50	SS 303
<b>131114</b>	12	300		
<b>131115</b>	14	200		
<b>131116</b>	14	250	n° 50	SS 303
<b>131117</b>	14	300		
<b>131118</b>	16	100		
<b>131119</b>	16	150	n° 50	SS 303
<b>131120</b>	16	250		
<b>131121</b>	16	300		
<b>131122</b>	20	250	n° 50	SS 303
<b>131123</b>	20	350		

## ADJUSTING RODS

Use: with code 190265 - 190265F

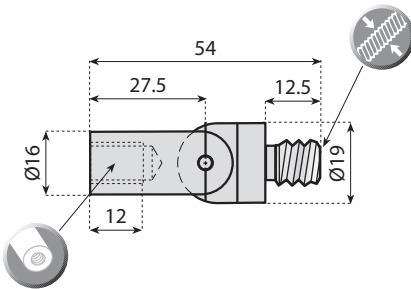
Code	For rod Ø (mm)	L		Material
<b>131124</b>	14	200	n° 50	SS 303
<b>131125</b>	14	250		
<b>131126</b>	16	200	n° 50	SS 303
<b>131127</b>	16	250		

# Joint rod adapter

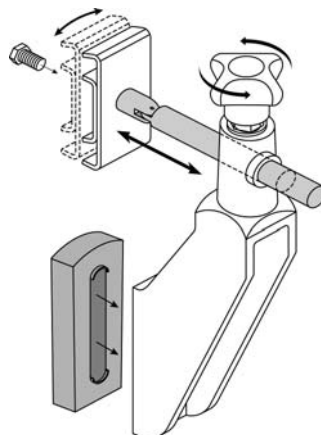
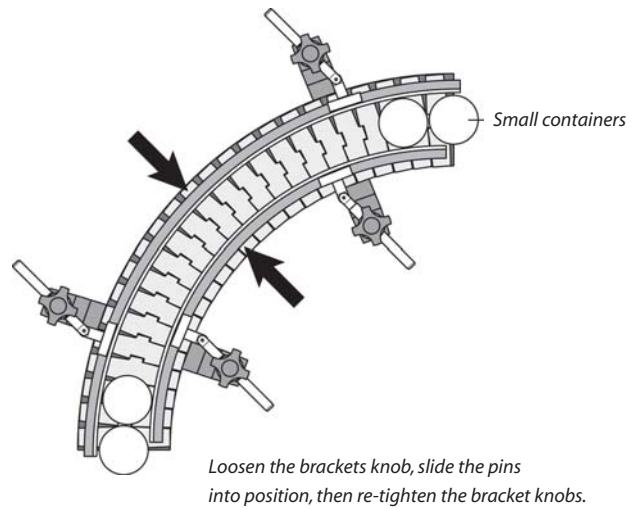
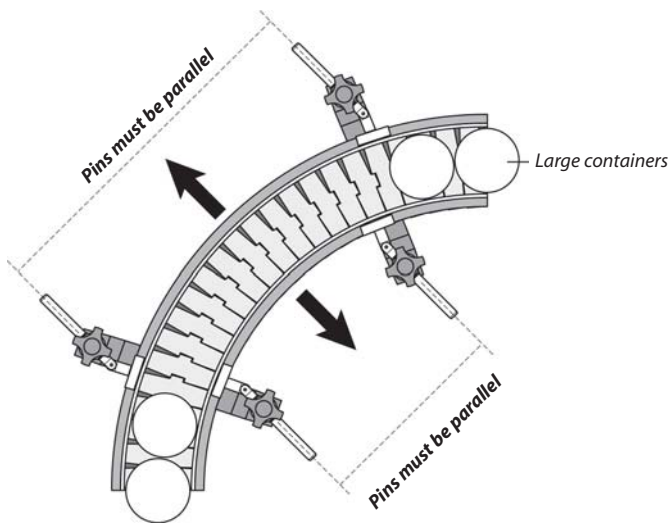
 Preferred type, readily available (codes marked in red)



AISI 304  
Stainless steel



Code	Ref.				
<b>13S00260</b>	VG-222JQ-M8	M8	M8		
<b>13S00259</b>	VG-222JQ-M10	M10	M10	n°10	SS 304
<b>13S00261</b>	VG-222JQ-M8M-M10F	M8	M10		



## BRACKET SPACERS FOR ROD USE

Spacers may be required for proper set back of the brackets to allow for the jointed adjusting rod clevis extension. For details on spacers to pages 264-266



**Roller side guide**

# Intermediary roller guides



Accessories



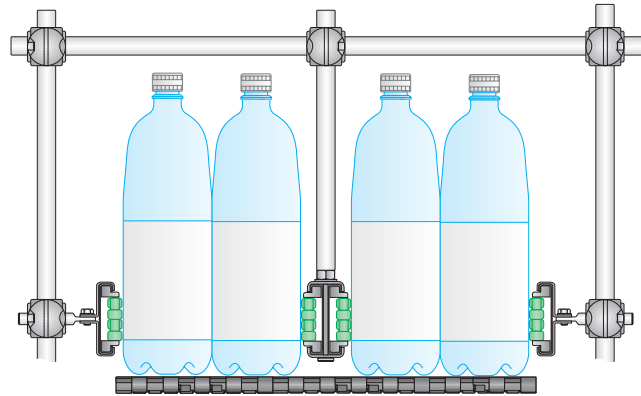
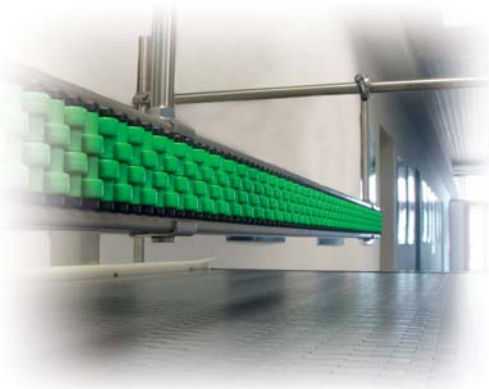
Acetal resin



Polyamide



AISI 304 stainless steel



## INTERMEDIARY ROLLER GUIDE

**Material:** straps in reinforced polyamide, rollers in acetal resin, profile in stainless steel.

**Pins:** see table.

**Standard packaging:** 1 roller guide L = 3 m.




**Note:** 2 profiles are required to build 1 intermediary guide

Connecting material to be ordered separately.

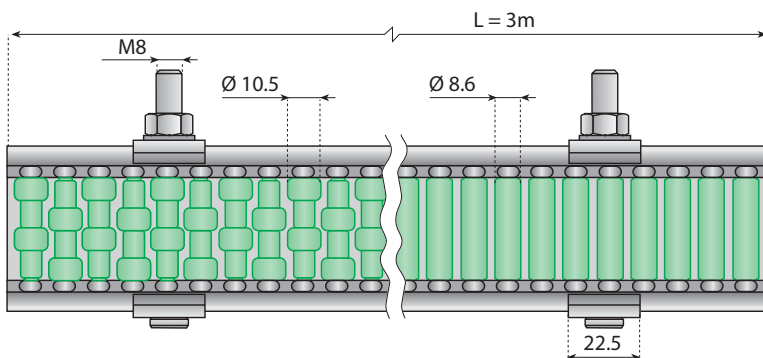
**Applications:** designed for rugged boxes and multi-packs.



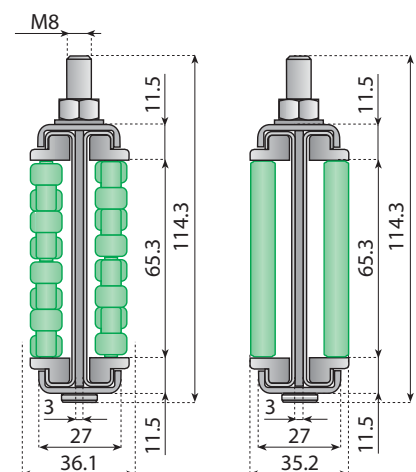
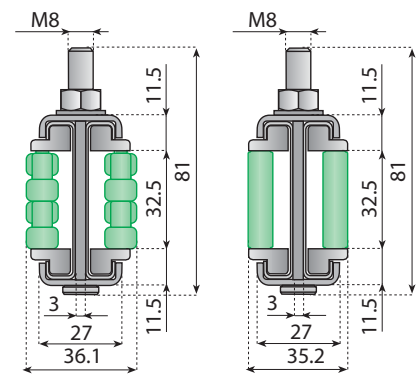
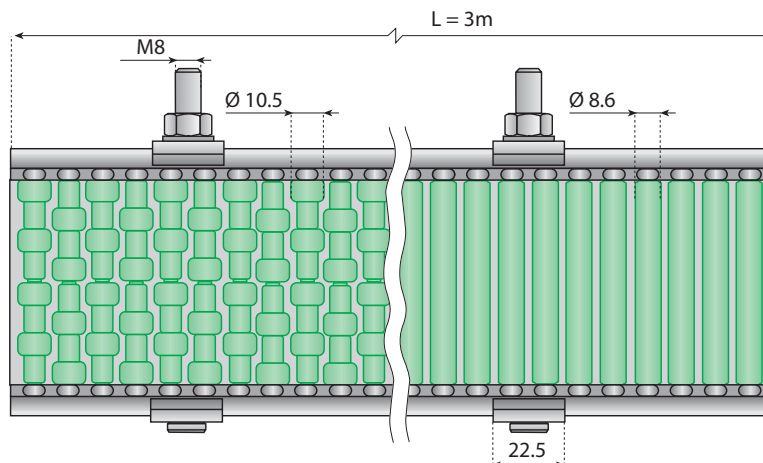
Bending radius: min 750 mm

Code	Code		 Kg/m	 Pins Material	 Roller
16921	16924				Orange
16921K	16924K	Type A	2.05	POM	White
16921V	16924V				Green
16921W	16924W				Water blue
16922	16925				Orange
16922K	16925K	Type A	2.63	SS 304	White
16922V	16925V				Green
16922W	16925W				Water blue
16923	16926				Orange
16923K	16926K	Type B	4.11	SS 304	White
16923V	16926V				Green
16923W	16926W				Water blue

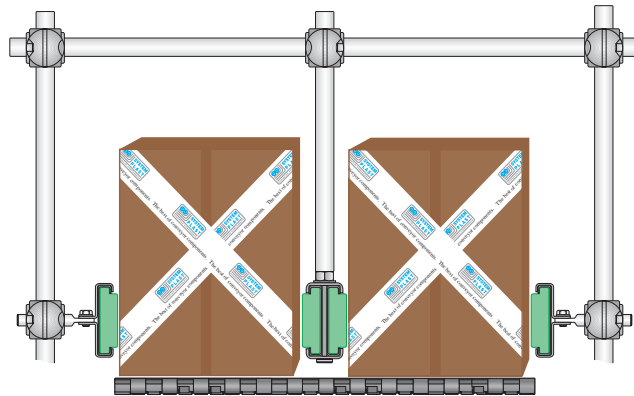
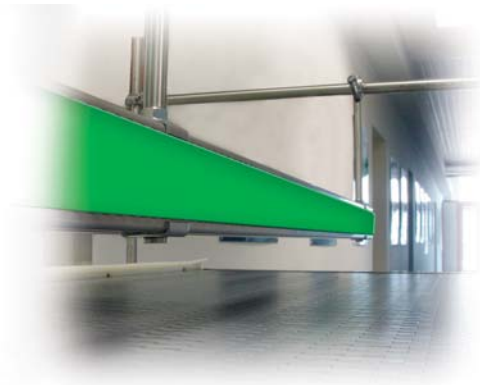
## Type A - H 55.5



## Type B - H 88.3



# Intermediary flat guides



**PE**  
Polyethylene

**SS 303**  
AISI 304 stainless steel

**165**  
Accessories

## INTERMEDIARY GUIDE

**Material:** profile in stainless steel, bar in polyethylene.

**Standard packaging:** 1 guide L = 3 m.

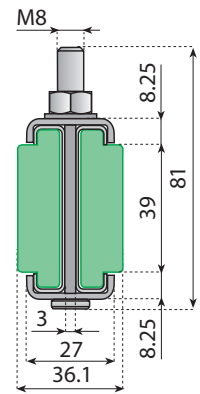
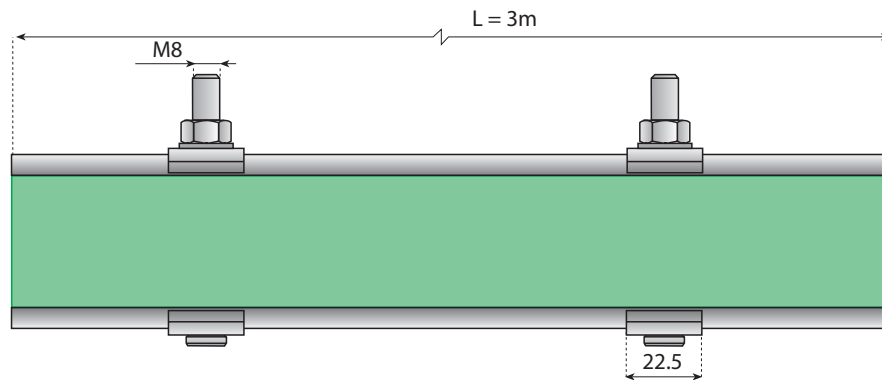
**Note:** 2 profiles are required to build 1 intermediary guide

Connecting material to be ordered separately

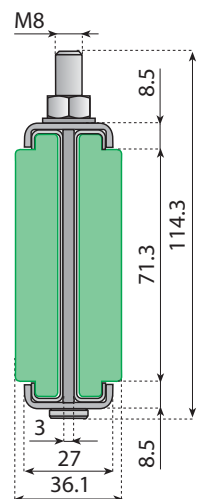
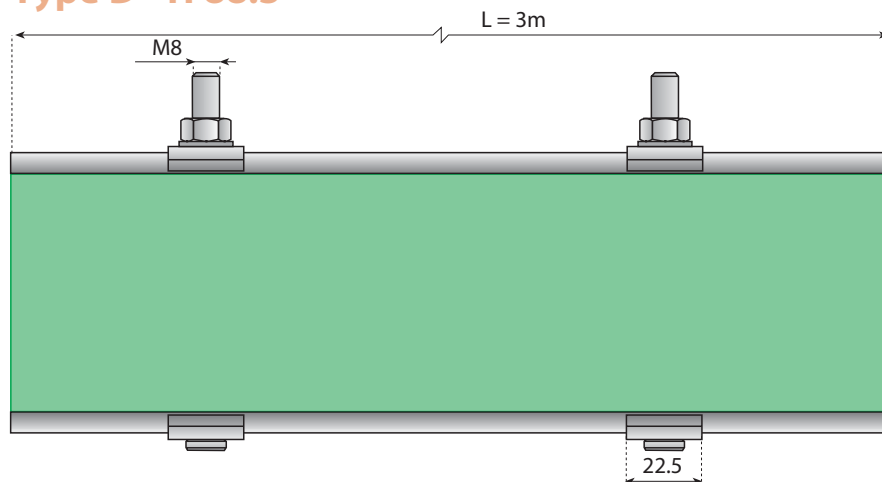
**Applications:** designed for rugged boxes and containers.

Code		Kg/m	Profile Material	
16927V	Type C	2.64	PE	Green
16928V	Type D	4.15	PE	Green

## Type C - H 55.5



## Type D - H 88.3



# Side guides

## SIDE GUIDE

**Material:** straps in reinforced polyamide, rollers in acetal resin, bar in polyethylene, profile in stainless steel.

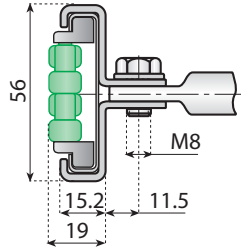
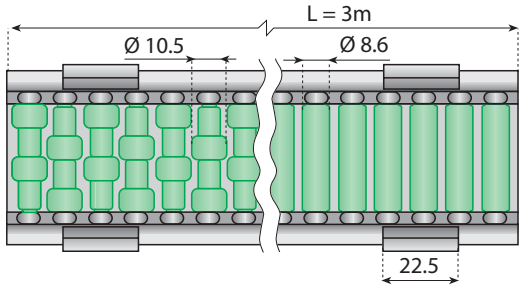
**Pins:** see table.

**Standard packaging:** 1 guide L = 3 m.

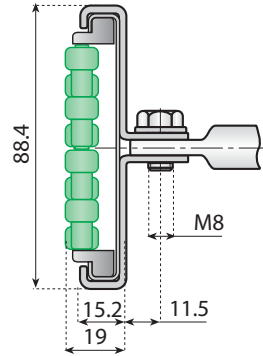
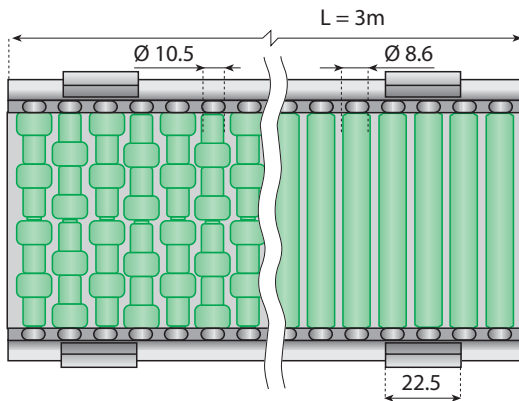
Connecting material to be ordered separately

**Applications:** designed for rugged boxes and containers.

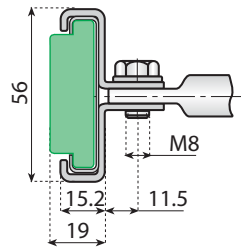
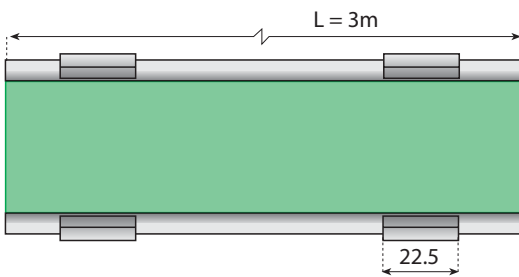
### Type A - H 55.5



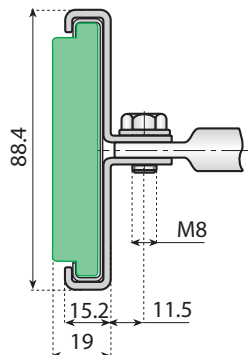
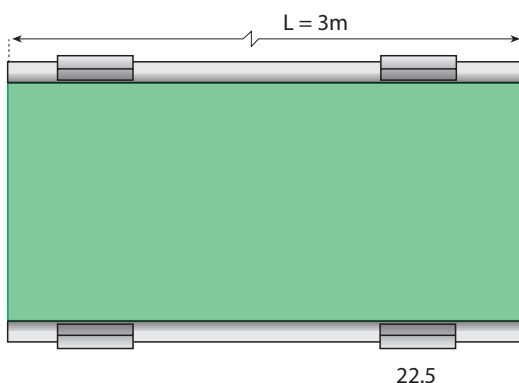
### Type B - H 88.3



### Type C - H 55.5



### Type D - H 88.3



Code	Code				
16921	16924				Orange
16921K	16924K	Type A	1.03	POM	White
16921V	16924V				Green
16921W	16924W				Water blue
16922	16925				Orange
16922K	16925K	Type A	1.32	SS 304	White
16922V	16925V				Green
16922W	16925W				Water blue
16923	16926				Orange
16923K	16926K	Type B	2.06	SS 304	White
16923V	16926V				Green
16923W	16926W				Water blue



[Accessories](#)

Code				
16927V	Type C	1.32	PE	Green
16928V	Type D	2.08	PE	Green

# Accessories



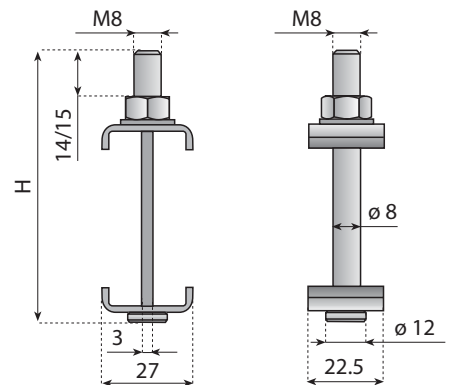
AISI 304  
Stainless steel



Code		H	Profile Material
131160	Type A (2 roller)	81	SS 304
131161	Type B (4 roller)	114.3	SS 304

### FIXING CLAMP

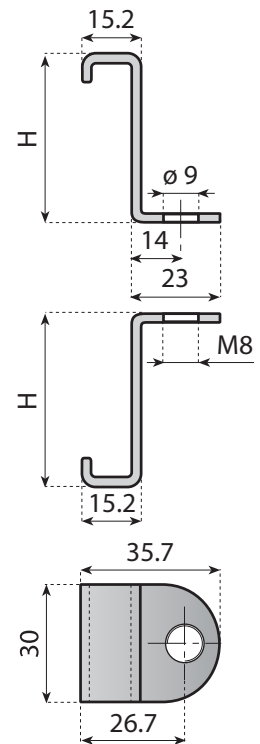
**Surface:** tumbling finish.  
**Supply:** unassembled.



Code		H	Profile Material
131162	Type A (2 roller)	25.5	SS 304
131163	Type B (4 roller)	41.7	SS 304

### FIXING CLAMP

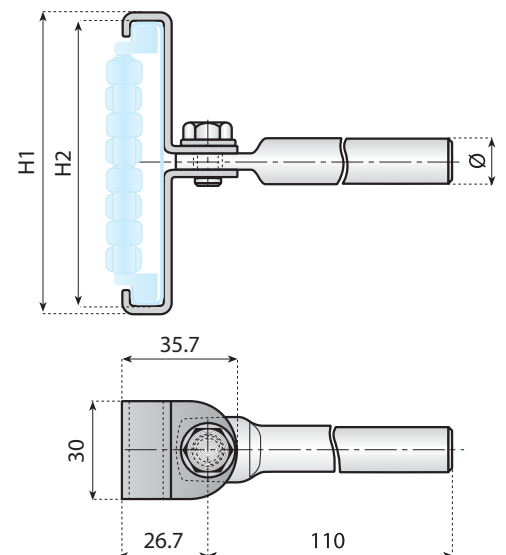
**Thickness:** S = 2.5 mm.  
**Surface:** tumbling finish.  
**Note:** the clamp is supplied without rod and bolt.  
**Supply:** unassembled.



Code		Rod Ø	H1	H2	Profile Material
131164	Type A	12			SS 304
131165	Type A (2 roller)	14	56	51	SS 304
131166	Type A (4 roller)	16			SS 304
131167	Type A	12			SS 304
131168	Type A (4 roller)	14	88.4	83.4	SS 304
131169	Type A (4 roller)	16			SS 304

### FIXING CLAMP WITH ROD

**Material:** clamp, rod, screw and washer in stainless steel.  
**Thickness:** S = 2.5 mm.  
**Surface:** tumbling finish.  
**Supply:** unassembled.



# Flexible roller modules for straight and curved sections



## FLEXIBLE ROLLER MODULES - TWO ROLLERS -

**Material:** straps and spacer in reinforced polyamide, rollers and pins in acetal resin, screws in stainless steel.

**Application:** designed for boxes and containers (glass and plastic bottles, tin cans, strong aluminium cans).

### Features:

- Improved design • Smaller rollers and pitch • Improved performance • Reduced dimensions • Low noise rollers
- Excellent for accumulation areas • Long life and smooth operation • Easy and quick installation.

Preferred type, readily available (codes marked in red)



Acetal resin



Polyamide



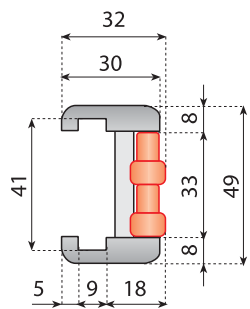
AISI 304  
Stainless steel



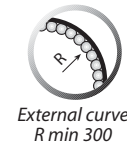
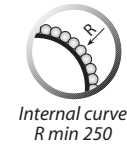
Accessories



Anodized aluminium

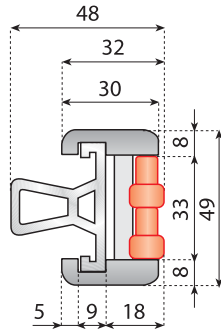


### SINGLE MODULE

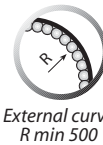
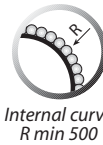


Code	Roller
<b>16600</b>	Orange
<b>16600K</b>	White
<b>16600V</b>	Green
<b>16600W</b>	Water blue

**Supply:**  
single module L. 348 mm

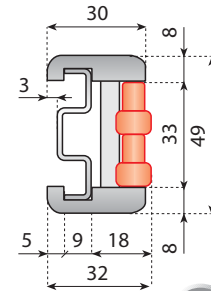


### WITH ALUMINIUM PROFILE

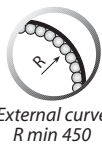
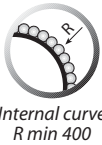


Code	Roller
<b>16650</b>	Orange
<b>16650K</b>	White
<b>16650V</b>	Green
<b>16650W</b>	Water blue

**Supply:**  
3m aluminium profile, 9 roller modules

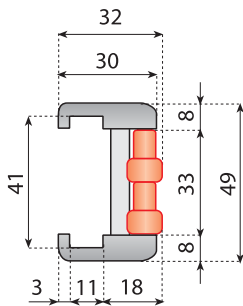


### WITH STEEL PROFILE

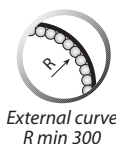
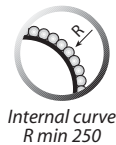
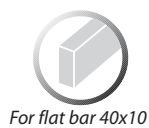


Code	Roller
<b>16655</b>	Orange
<b>16655K</b>	White
<b>16655V</b>	Green
<b>16655W</b>	Water blue

**Supply:**  
3m stainless steel profile, 9 roller modules

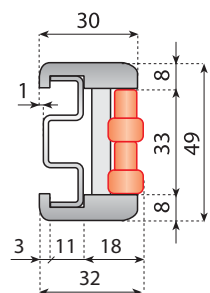


### SINGLE MODULE

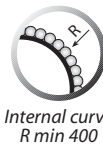


Code	Roller
<b>16610</b>	Orange
<b>16610K</b>	White
<b>16610V</b>	Green
<b>16610W</b>	Water blue

**Supply:**  
single module L. 348 mm

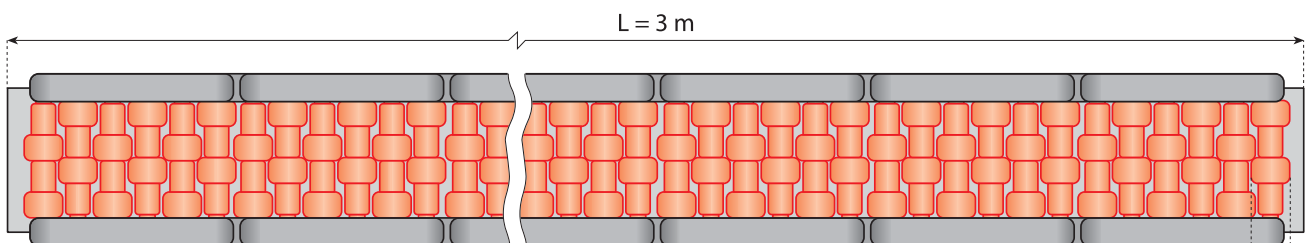


### WITH STEEL PROFILE



Code	Roller
<b>16660</b>	Orange
<b>16660K</b>	White
<b>16660V</b>	Green
<b>16660W</b>	Water blue

**Supply:**  
3m steel profile, 9 roller modules



Single module 348.5 mm

Ø10.5

# Flexible roller modules for straight and curved sections



## FLEXIBLE ROLLER MODULES - SINGLE ROLLER -

**Material:** straps and spacer in reinforced polyamide, rollers and pins in acetal resin, screws in stainless steel, metal profile in anodized aluminium.

**Application:** designed for boxes and containers (glass and plastic bottles, tin cans, strong aluminium cans).

### Features:

- Improved design • Smaller rollers and pitch • Improved performance • Reduced dimensions • Low noise rollers
- Excellent for accumulation areas • Long life and smooth operation • Easy and quick installation.

Preferred type, readily available (codes marked in red)



Acetal resin



Polyamide



AISI 304  
Stainless steel



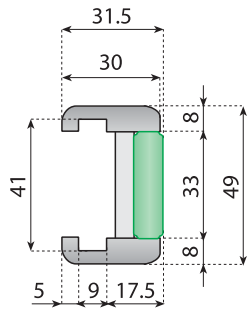
Accessories



PATENTED



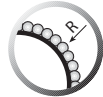
Anodized aluminium



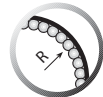
### SINGLE MODULE



For flat bar 40x8



Internal curve  
R min 250

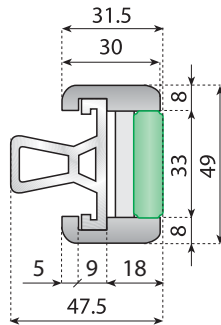


External curve  
R min 300

Code	Roller
<b>16605</b>	Orange
<b>16605K</b>	White
<b>16605V</b>	Green
<b>16605W</b>	Water blue

### Supply:

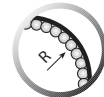
single module L. 348 mm



### WITH ALUMINIUM PROFILE



Internal curve  
R min 500

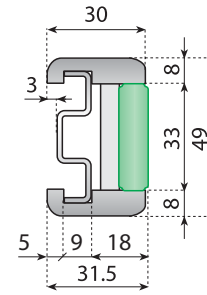


External curve  
R min 500

Code	Roller
<b>16651</b>	Orange
<b>16651K</b>	White
<b>16651V</b>	Green
<b>16651W</b>	Water blue

### Supply:

3m aluminium profile, 9 roller modules



### WITH STEEL PROFILE



Internal curve  
R min 400

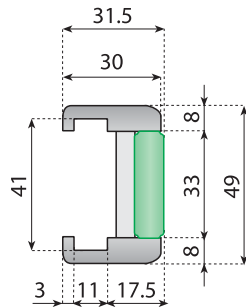


External curve  
R min 450

Code	Roller
<b>16656</b>	Orange
<b>16656K</b>	White
<b>16656V</b>	Green
<b>16656W</b>	Water blue

### Supply:

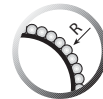
3m stainless steel profile, 9 roller modules



### SINGLE MODULE



For flat bar 40x10



Internal curve  
R min 250

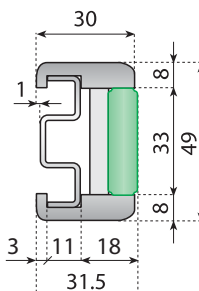


External curve  
R min 300

Code	Roller
<b>16615</b>	Orange
<b>16615K</b>	White
<b>16615V</b>	Green
<b>16615W</b>	Water blue

### Supply:

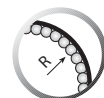
single module L. 348 mm



### WITH STEEL PROFILE



Internal curve  
R min 400



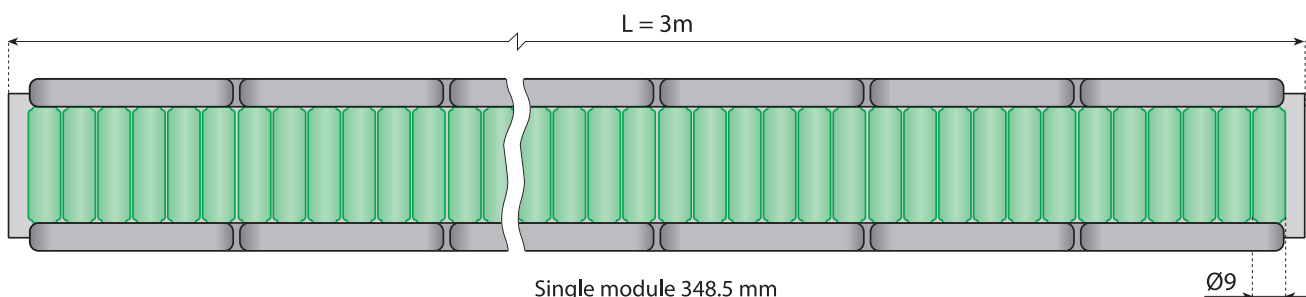
External curve  
R min 450

Code	Roller
<b>16665</b>	Orange
<b>16665K</b>	White
<b>16665V</b>	Green
<b>16665W</b>	Water blue

### Supply:

3m steel profile, 9 roller modules

Mini Gap



# Flexible roller modules for straight and curved sections



## FLEXIBLE ROLLER MODULES - FOUR ROLLERS -

**Material:** straps and spacers in reinforced polyamide, rollers in acetal resin, screws in stainless steel.

**Application:** designed for boxes and containers (glass and plastic bottles, tin cans, strong aluminium cans).



Acetal resin



Polyamide



AISI 304  
Stainless steel



Accessories



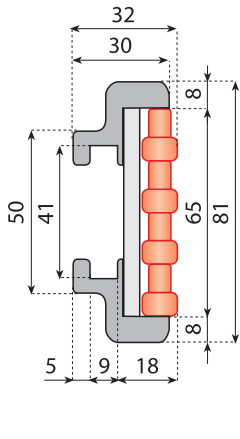
Anodized aluminium

### Features:

- Improved design • Smaller rollers and pitch • Improved performance • Reduced dimensions
- Low noise rollers • Excellent for accumulation areas • Long life and smooth operation • Easy and quick installation.

Preferred type, readily available (codes marked in red)

### SINGLE MODULE

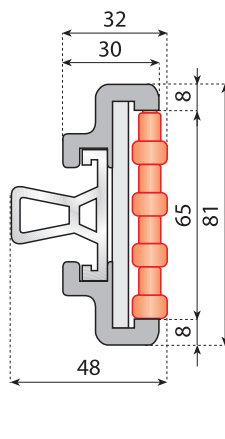


For flat bar 40x8

Internal curve  
R min 250

External curve  
R min 300

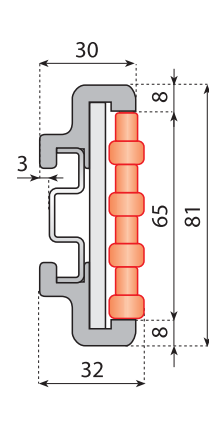
### WITH ALUMINIUM PROFILE



Internal curve  
R min 500

External curve  
R min 500

### WITH STEEL PROFILE



Internal curve  
R min 400

External curve  
R min 450

Code	Pins Material	Roller
<b>16800</b>	POM	Orange
<b>16800K</b>		White
<b>16800V</b>		Green
<b>16800W</b>		Water blue
<b>16801</b>	S/S AISI 430	Orange
<b>16801K</b>		White
<b>16801V</b>		Green
<b>16801W</b>		Water blue

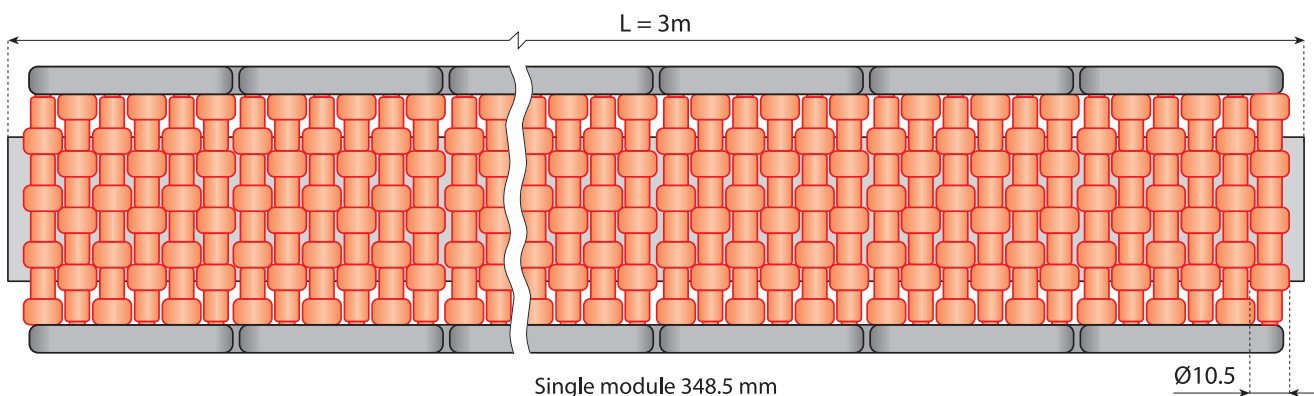
**Supply:**  
single module L. 348 mm

Code	Pins Material	Roller
<b>16820</b>	POM	Orange
<b>16820K</b>		White
<b>16820V</b>		Green
<b>16820W</b>		Water blue
<b>16822</b>	S/S AISI 430	Orange
<b>16822K</b>		White
<b>16822V</b>		Green
<b>16822W</b>		Water blue

**Supply:**  
3m aluminium profile, 9 roller modules

Code	Pins Material	Roller
<b>16825</b>	POM	Orange
<b>16825K</b>		White
<b>16825V</b>		Green
<b>16825W</b>		Water blue
<b>16827</b>	S/S AISI 430	Orange
<b>16827K</b>		White
<b>16827V</b>		Green
<b>16827W</b>		Water blue

**Supply:**  
3m stainless steel profile, 9 roller modules



# Flexible roller modules for straight and curved sections



## FLEXIBLE ROLLER MODULES - SINGLE ROLLER -

**Material:** straps and spacers in reinforced polyamide, rollers in acetal resin, screws in stainless steel.

**Application:** designed for boxes and containers (glass and plastic bottles, tin cans, strong aluminium cans).



Acetal resin



Polyamide



AISI 304  
Stainless steel



Accessories



PATENTED



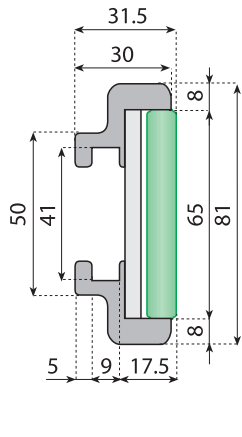
Anodized aluminium

### Features:

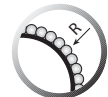
- Improved design • Smaller rollers and pitch • Improved performance • Reduced dimensions
- Low noise rollers • Excellent for accumulation areas • Long life and smooth operation • Easy and quick installation.

Preferred type, readily available (codes marked in red)

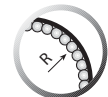
### SINGLE MODULE



For flat bar 40x8

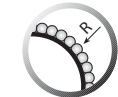
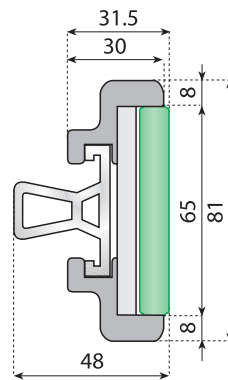


Internal curve  
R min 250

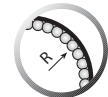


External curve  
R min 300

### WITH ALUMINIUM PROFILE

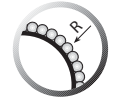
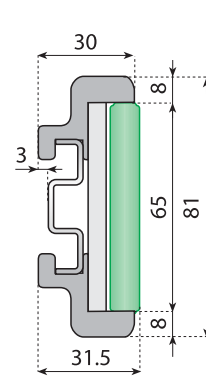


Internal curve  
R min 500



External curve  
R min 500

### WITH STEEL PROFILE



Internal curve  
R min 400



External curve  
R min 450

Code	Pins Material	Roller
<b>16805</b>	POM	Orange
<b>16805K</b>		White
<b>16805V</b>		Green
<b>16805W</b>		Water blue
<b>16806</b>	S/S AISI 430	Orange
<b>16806K</b>		White
<b>16806V</b>		Green
<b>16806W</b>		Water blue

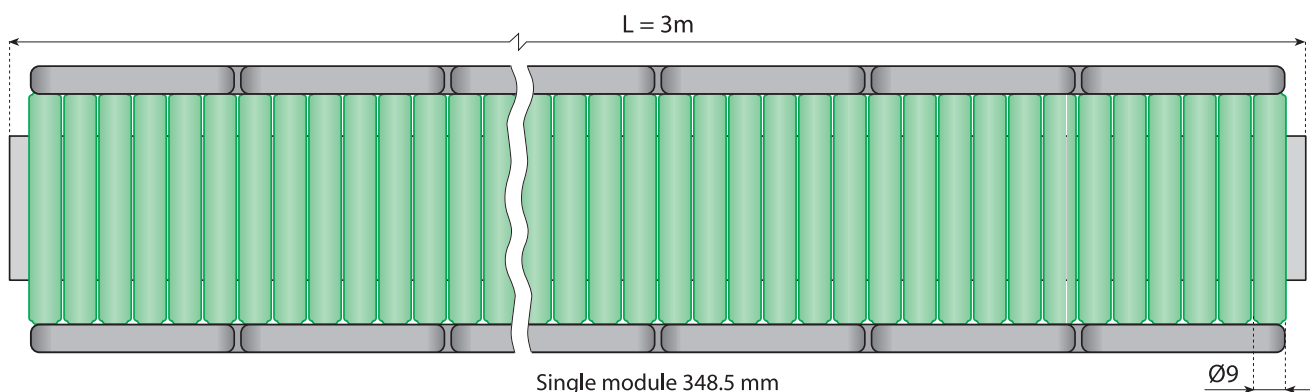
**Supply:**  
single module L. 348 mm

Code	Pins Material	Roller
<b>16821</b>	POM	Orange
<b>16821K</b>		White
<b>16821V</b>		Green
<b>16821W</b>		Water blue
<b>16823</b>	S/S AISI 430	Orange
<b>16823K</b>		White
<b>16823V</b>		Green
<b>16823W</b>		Water blue

**Supply:**  
3m aluminium profile, 9 roller modules

Code	Pins Material	Roller
<b>16826</b>	POM	Orange
<b>16826K</b>		White
<b>16826V</b>		Green
<b>16826W</b>		Water blue
<b>16828</b>	S/S AISI 430	Orange
<b>16828K</b>		White
<b>16828V</b>		Green
<b>16828W</b>		Water blue

**Supply:**  
3m stainless steel profile, 9 roller modules



# Flexible roller modules for straight and curved sections



## FLEXIBLE ROLLER MODULES - ONE ROLLER -

**Material:** straps in reinforced polyamide, rollers and pins in acetal resin, spacers in nickel plated brass, screws stainless steel.

**Application:** designed for rugged boxes and containers.

### Features:

- Improved design • Smaller rollers and pitch • Improved performance • Reduced dimensions • Low noise rollers
- Excellent for accumulation areas • Long life and smooth operation. • Easy and quick installation.

Preferred type, readily available (codes marked in red)



Acetal resin



Polyamide



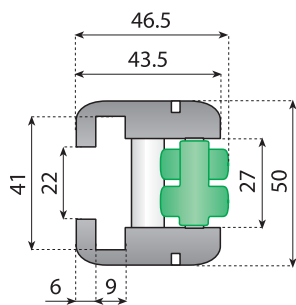
304 Stainless steel



[Accessories](#)



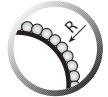
Anodized aluminium



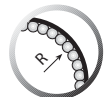
### SINGLE MODULE



For flat bar 40x8



Internal curve  
R min 250



External curve  
R min 300

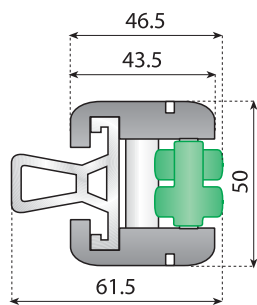
Code



**16500** Green  
**16500K** White

### Supply:

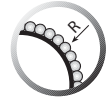
single module L. 338 mm



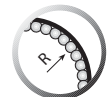
### WITH ALUMINIUM PROFILE



Internal curve  
R min 500



Internal curve  
R min 500



External curve  
R min 500

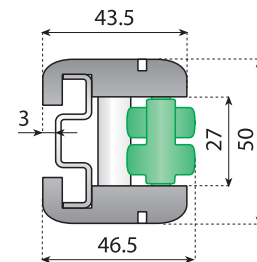
Code



**16551** Green  
**16551K** White

### Supply:

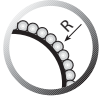
3m aluminium profile, 9 roller modules



### WITH STEEL PROFILE



Internal curve  
R min 400



Internal curve  
R min 400



External curve  
R min 400

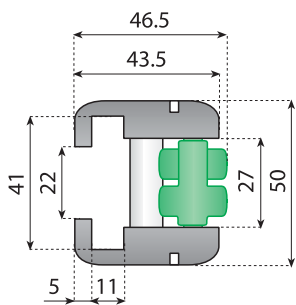
Code



**16550** Green  
**16550K** White

### Supply:

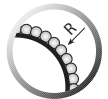
3m stainless steel profile, 9 roller modules



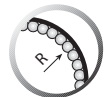
### SINGLE MODULE



For flat bar 40x10



Internal curve  
R min 250



External curve  
R min 300

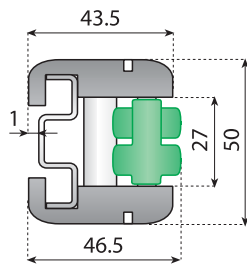
Code



**16505** Green  
**16505K** White

### Supply:

single module L. 338 mm



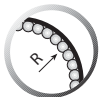
### WITH STEEL PROFILE



Internal curve  
R min 400



Internal curve  
R min 400



External curve  
R min 400

Code

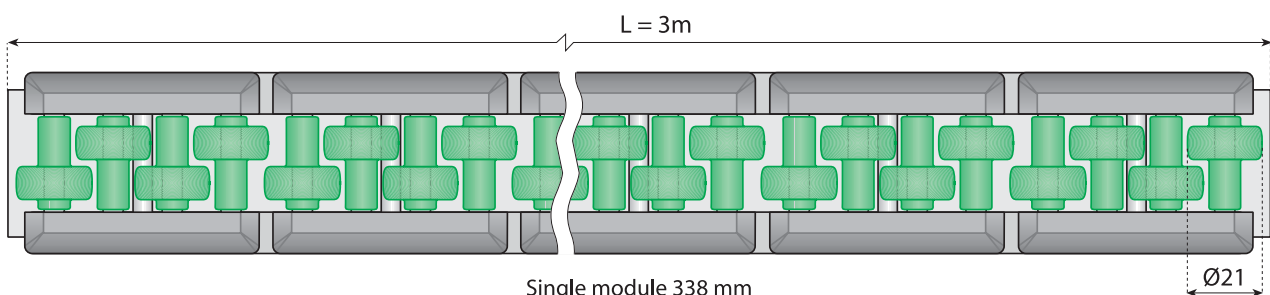


**16555** Green  
**16555K** White

### Supply:

3m steel profile, 9 roller modules

*Heavy duty version*



# Accumulation roller modules for curved sections



## ACCUMULATION ROLLER MODULES FOR CURVED SECTIONS - ONE ROLLER -

**Material:** straps in reinforced polyamide, rollers in acetal resin. Pins and metal profile see the table.

**Antistatic version:** straps in reinforced polyamide conductive, rollers and pins in acetal resin conductive.

**Supply:** single module L. 76 mm.

**Standard packaging:** 50 modules.

**Applications:** designed for rugged boxes and containers.

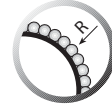
Preferred type, readily available (codes marked in red)



Acetal resin



Polyamide



Internal curve  
R min 460



External curve  
R min 600



Accessories



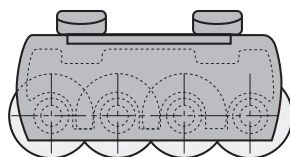
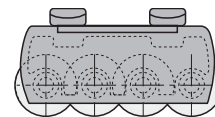
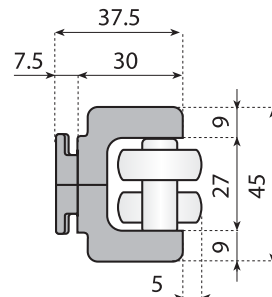
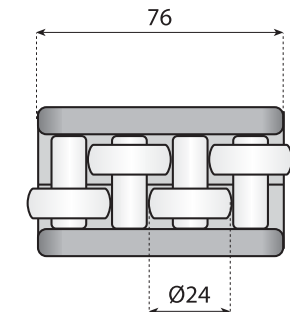
430 Stainless steel



### Features:

- Excellent for accumulation areas.
- Easy and quick installation.
- Low noise rollers.
- Long life and smooth operation.

Code	Kg/m	Pins Material	Roller
<b>16305</b>	0.15	POM	White
<b>16305V</b>			Green
<b>16305AS</b>			Black Antistatic
<b>16305SS</b>	0.20	S/S AISI 430F	White
<b>16305SSV</b>			Green
<b>16305ASS</b>			Black Antistatic



Cavity between the rail and the roller block provides a position for the rail clamp and this design feature also prevents the lateral movement of the roller blocks without the need for screws or other fixing methods.

# Accumulation roller side guides for curved sections

## ACCUMULATION ROLLER SIDE GUIDES FOR CURVED SECTIONS - ONE ROLLER -

**Material:** straps in reinforced polyamide, rollers in acetal resin.  
Pins and metal profile see the table.

**Supply:** 3m steel profile with 39 roller blocks.

**Standard packaging:** 2 guides completely assembled.

**Application:** designed for rugged boxes and containers.

**Note:** roll sections can be quickly assembled by simply sliding into the rail. Once assembled and the rail is located using clamps the sections can not move laterally.





The clamp is designed to fit into the slot in the back of a section as indicated in the sketch below.

 Preferred type, readily available (codes marked in red)



### Features:

- Excellent for accumulation areas.
- Easy and quick installation.
- Low noise rollers.
- Long life and smooth operation.

Code	 Kg/m	 Pins Material	 Profile Material	 Roller
<b>16300</b>	2.75	POM	S/S	White
<b>16300V</b>			AISI 304	Green
<b>16301</b>	2.75	POM	Zinc plated steel	White
<b>16301V</b>				Green
<b>16302</b>	3.40	S/S	S/S	White
<b>16302V</b>		AISI 430F	AISI 304	Green
<b>16303</b>	3.40	S/S	Zinc plated steel	White
<b>16303V</b>		AISI 430F		Green
<b>16300AS</b>	2.75	POM	S/S	Black/Antistatic
<b>16301AS</b>		Antistatic	AISI 304	Black/Antistatic
<b>16302AS</b>	3.40	S/S	Zinc plated steel	Black/Antistatic
<b>16303AS</b>		AISI 430F		Black/Antistatic



Acetal resin  
conductive



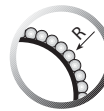
Polyamide  
conductive



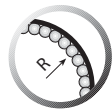
Acetal resin



Polyamide



Internal curve  
R min 460



External curve  
R min 600



Accessories



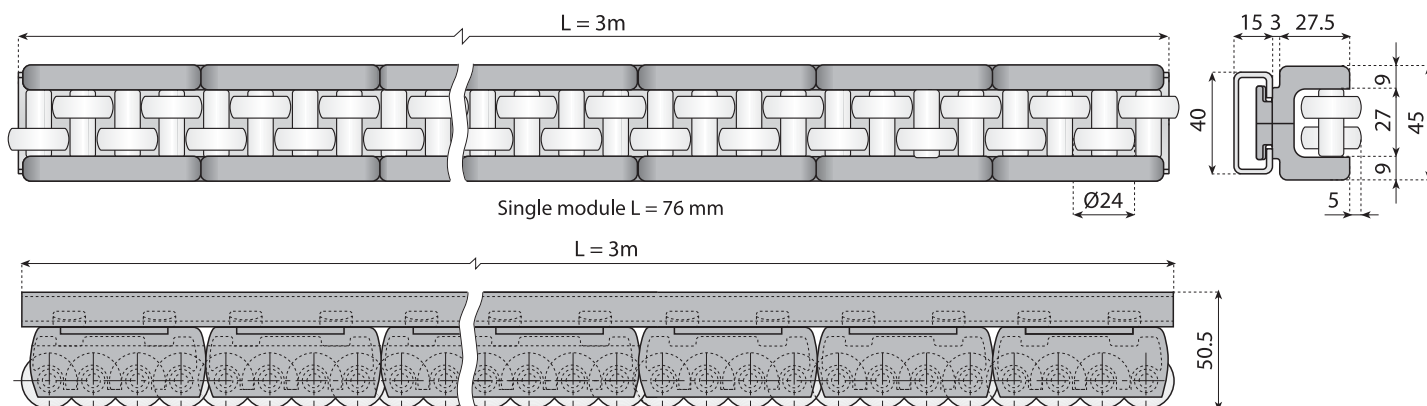
Zinc plated steel



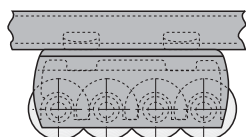
AISI 304  
Stainless steel



AISI 430  
Stainless steel

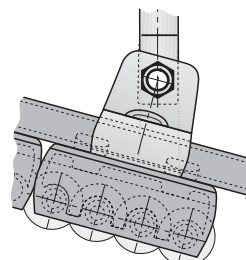


Cavity between the rail and the roller block provides a position for the rail clamp and this design feature also prevents the lateral movement of the roller blocks without the need for screws or other fixing methods.

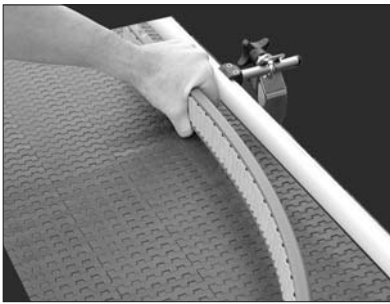


### Blocking:

Clamps fix metal profile and lateral straps, thus avoiding accidental sliding.



# Flexible Light Duty SpeedRail™ & SpeedRoll™



## FLEXIBLE LIGHT DUTY SPEEDRAIL™ & SPEEDROLL™

**Material:** straps in PVC, rollers in acetal resin.  
Screws in stainless steel.

Operating temperature range: -10°F to + 180°F

### Features:

- Bend by hand to create corners or S-curves easily.
- Can be twisted to help invert containers.
- Saves time and labor associated with machine bending.
- Compatible with other Valu Guide components.
- Available with beads or roller.

Preferred type, readily available (codes marked in red)



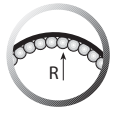
Acetal resin



PVC



Stainless steel



Min. bending  
Radius 450



PATENTED



PATENT  
FEATURE

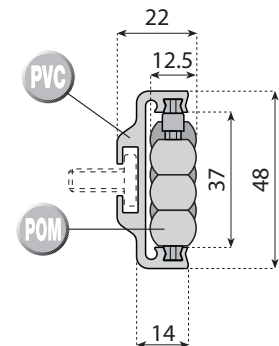
Par. # 6,516,933  
(USA)



## 687 FLEX - FLEXIBLE SPEEDRAIL SB™

Code	Ref.			
<b>16S00300</b>	VG-687FLEX-37-3M	n°6*	3 m	n°2

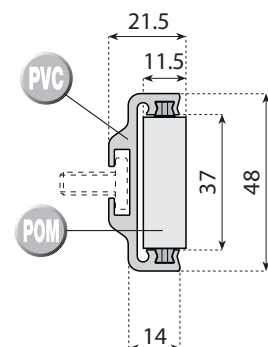
\* Number of **13S00256** bolts included.



## 688 FLEX - FLEXIBLE SPEEDROLL SB™

Code	Ref.			
<b>16S00301</b>	VG-688FLEX-37-3M	n°6*	3 m	n°2

\* Number of **13S00256** bolts included.



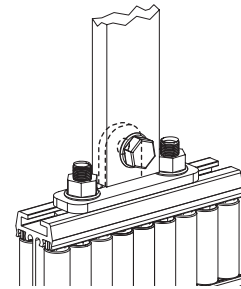
# Valu Guide Combiners - Accessories

## 687 BSC - BACK SLOT CLOSING PROFILE

Code	Ref.	L	Material
<b>16S00302-25</b>	VG-687BSC-25	7.63 m	
<b>16S00302-50</b>	VG-687BSC-50	15.24 m	PVC
<b>16S00302-15</b>	VG-687BSC-15	4.52 m	



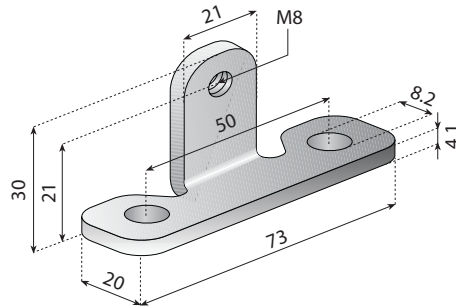
Consult pages  
182 → 186



## 687 LAB - LANE DIVIDER BRACKET

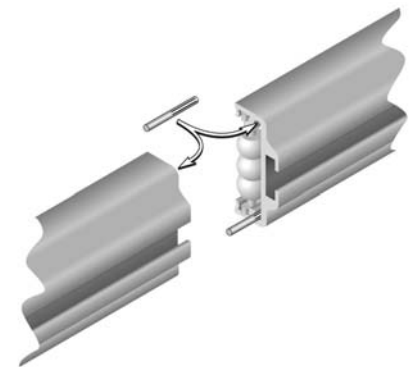
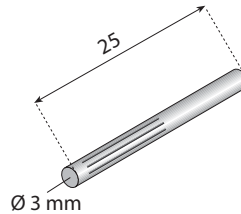
Code	Ref.	Material
<b>16S00150</b>	VG-687LDB-M8	SS

\* Number of **13S00256** bolts included.



## 687 SP - SPLICING PINS

Code	Ref.	Material
<b>16S00155</b>	VG-687SP	SS

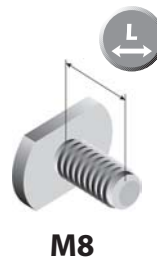


For use with:

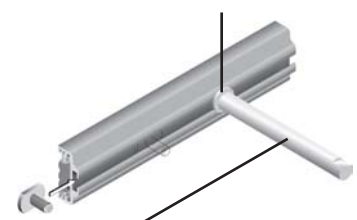
- VG-687-37
- VG-687H-37
- VG-687-83
- VG-687H-83

## 1568M - T-HEAD SCREWS M8

Code	Ref.	Thread	Material
<b>13S00255</b>	VG-1568M-01	16 mm	
<b>13S00256</b>	VG-1568M-02	19 mm	
<b>13S00257</b>	VG-1568M-03	25.5 mm	n°10
<b>13S00258</b>	VG-1568M-04	32 mm	SS



Flat washer recommended

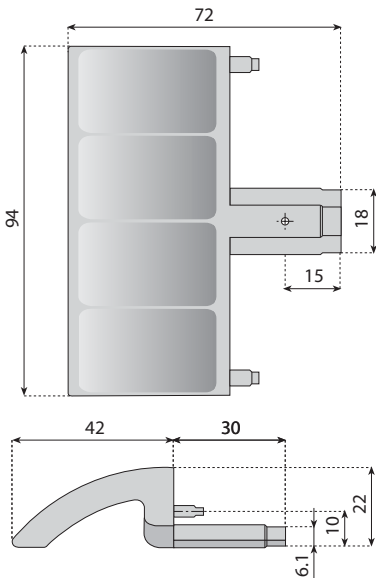


13912 or 13914

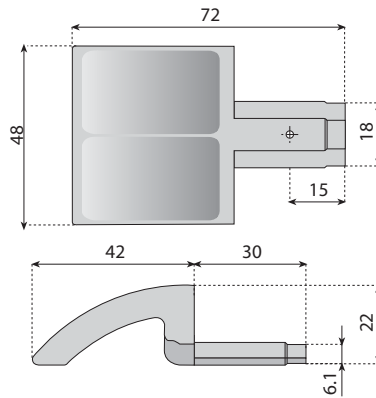
# Side plow for valu guide combiners



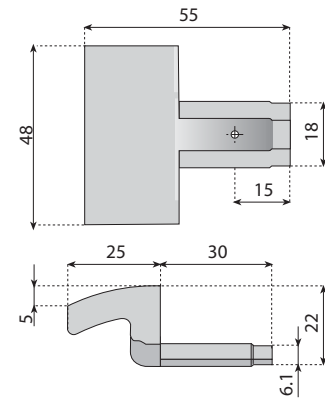
**16713**



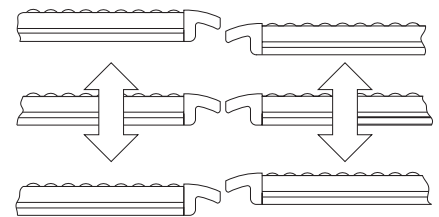
**16712**



**16714**



**MOLDED VERSION**

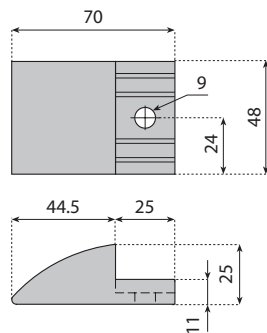


**Material:** side plow in POM acetal, screw in stainless steel.

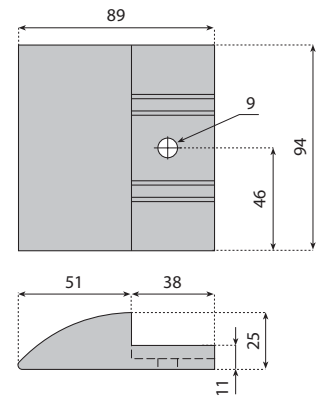
**Features:**

- Optimum guiding of packs
- Easy assembly

Code	For Guide Ref.	Material	Color
<b>16712</b>	VG-687H-37 / VG-688H-37		Light Grey
<b>16713</b>	VG-687H-83 / VG-688H-83	n° 20 POM	Light Grey
<b>16714</b>	VG-687H-37 / VG-688H-37		Light Grey



**MACHINED VERSION**



**MSP 37 - SIDE PLOW**

**MSP 83 - SIDE PLOW**

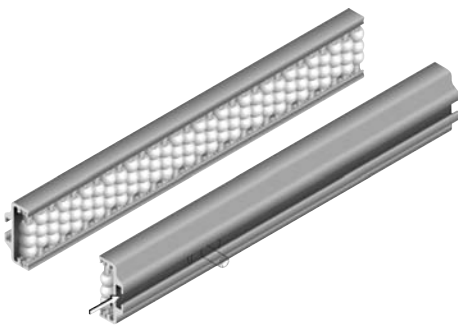
Code	For Guide Ref.	Material	Color
<b>16S00153</b>	VG-687H-37 / VG-688H-37	n°4 Nolu-S	Light Grey

Stainless steel fastener included.

Code	For Guide Ref.	Material	Color
<b>16S00154</b>	VG-687H-83 / VG-688H-83	n°4 Nolu-S	Light Grey

Stainless steel fastener included.

# Valu Guide Combiners



## ALUMINUM SPEEDRAIL SB

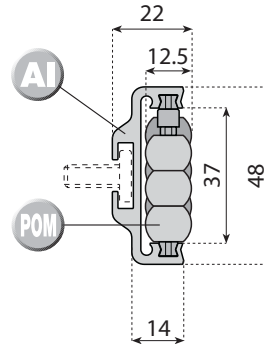
**Material:** straps in aluminum, rollers in acetal resin.  
Screws in stainless steel.

### Features:

- Easy mounting
- Great for polywrapped containers or PET
- On site bendable
- Cut to desired length
- FDA approved engineered polymer

 Preferred type, readily available (codes marked in red)

### 687H 37 - ALUMINUM SPEEDRAIL SB™ 48mm



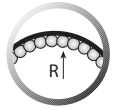
Acetal resin



Aluminum



[T-head screw M8 Splicing Pins](#)






Min. bending Radius 304mm



Par. # 6,516,933 (USA)

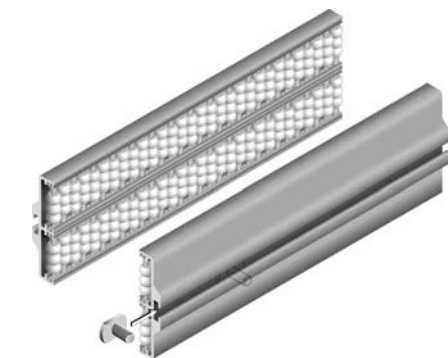


Consult pages 123 → 127 for bending machines

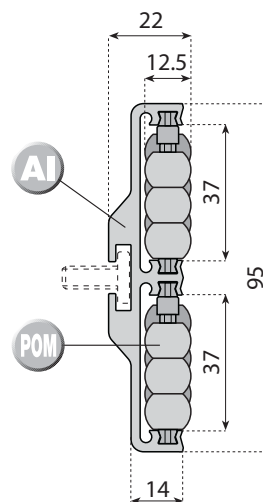
Code	Ref.			
<b>16S00100</b>	VG-687H-37-2M	n°5*	2 m	n°2
<b>16S00101</b>	VG-687H-37-3M	n°6*	3 m	n°2

\* Number of **13S00256** bolts included.

**SIDE PLOW** (page 175)



### 687H 83 - ALUMINUM SPEEDRAIL SB™ 95mm



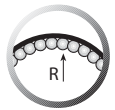
Acetal resin



Aluminum






[T-head screw M8 Splicing Pins](#)



Min. bending Radius 508mm



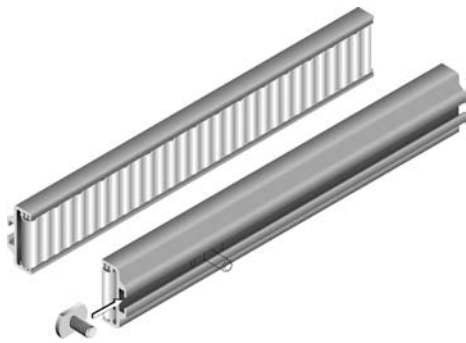
Par. # 6,516,933 (USA)

Code	Ref.			
<b>16S00102</b>	VG-687H-83-2M	n°5*	2 m	n°2
<b>16S00103</b>	VG-687H-83-3M	n°6*	3 m	n°2

**SIDE PLOW** (page 175)



# Valu Guide Combiners



688H 37 - ALUMINUM SPEEDROLL™ 48mm

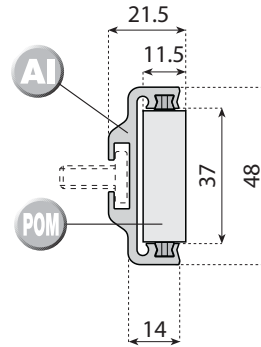
### ALUMINUM SPEEDROLL SB

**Material:** straps in aluminum, rollers in acetal resin. Screws in stainless steel.

**Features:**

- Easy mounting
- Great for polywrapped containers or PET
- On site bendable
- Cut to desired length
- FDA approved engineered polymer

Preferred type, readily available (codes marked in red)



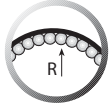
Acetal resin



Aluminum



[T-head screw M8 Splicing Pins](#)



Min. bending Radius 304mm



Par. # 6,516,933 (USA)

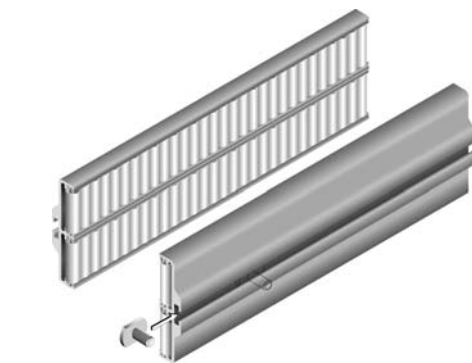


[Consult pages 123 -> 127 for bending machines](#)

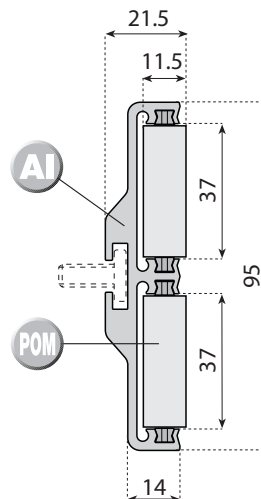
Code	Ref.			
<b>16S00250</b>	VG-688H-37-2M	n°5*	2 m	n°2
<b>16S00251</b>	VG-688H-37-3M	n°6*	3 m	n°2

\* Number of 13S00256 bolts included.

**SIDE PLOW** (page 175)



688H 83 - ALUMINUM SPEEDROLL™ 95mm



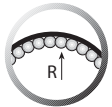
Acetal resin



Aluminum



[T-head screw M8 Splicing Pins](#)



Min. bending Radius 508mm

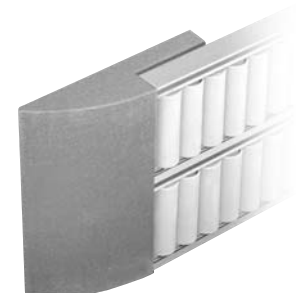


Par. # 6,516,933 (USA)

Code	Ref.			
<b>16S00252</b>	VG-688H-83-2M	n°5*	2 m	n°2
<b>16S00253</b>	VG-688H-83-3M	n°6*	3 m	n°2

\* Number of 13S00256 bolts included.

**SIDE PLOW** (page 175)



# Valu Guide Combiners



[Consult pages 123 → 127 for bending machines](#)



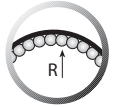
Acetal resin



Aluminum



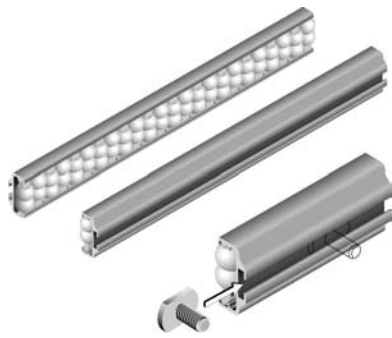
[T-head screw M8 Splicing Pins](#)



Min. bending Radius 508mm



Par. # 6,516,933 (USA)



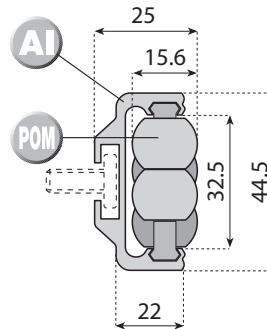
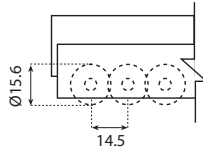
## ALUMINUM SPEEDRAIL™

**Material:** straps in aluminum, rollers in acetal resin. Screws in stainless steel.

### Features:

- Easy to bend (inner and outer curves)
- Can be cut to any length between beads
- FDA approved engineered polymer

Preferred type, readily available (codes marked in red)



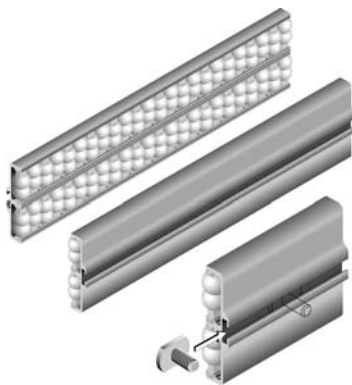
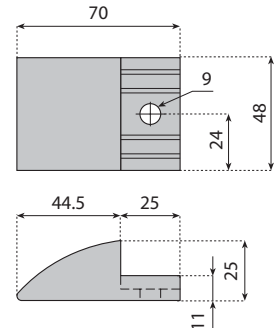
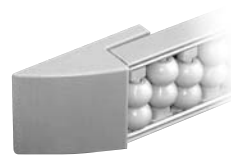
## 686A 30 - ALUMINUM SPEEDRAIL™ 42mm

Code	Ref.			
<b>16S00001</b>	VG-686A-30-2M	n°5*	2 m	n°2
<b>16S00002</b>	VG-686A-30-3M	n°6*	3 m	

\* Number of 13S00256 bolts included.

## MSP 30 - SIDE PLOW

Code	Ref.		Material	
<b>16S00006</b>	VG-686MSP-30	n°4	Nolu-S	Light Grey

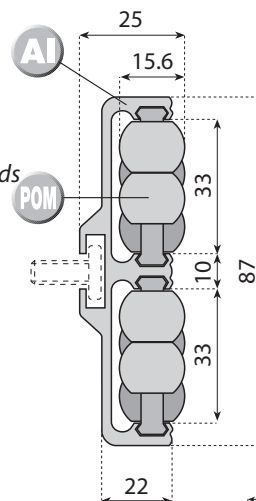


## ALUMINUM SPEEDROLL™

**Material:** straps in aluminum, rollers in acetal resin. Screws in stainless steel.

### Features:

- A wider bead-guide surface
- Easy to bend (inner and outer curves)
- Can be cut to any length between beads
- FDA approved engineered polymer



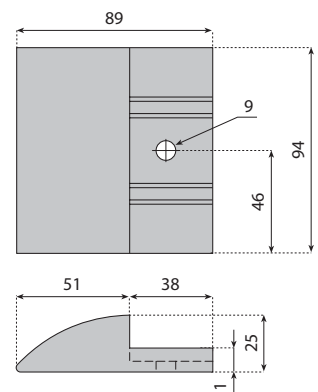
## 686A 76 - ALUMINUM SPEEDROLL™ 87mm

Code	Ref.			
<b>16S00004</b>	VG-686A-76-2M	n°5*	2 m	n°2
<b>16S00005</b>	VG-686A-76-3M	n°6*	3 m	

\* Number of 13S00256 bolts included.

## MSP 76 - SIDE PLOW

Code	Ref.		Material	
<b>16S00007</b>	VG-686MSP-76	n°4	Nolu-S	Light Grey



Stainless steel fastener included.

# Valu Guide Combiners

## ALUMINUM SPEEDRAIL SB™

**Material:** straps in aluminum, rollers in acetal resin. Screws in stainless steel.

**Features:**

- Easy mounting
- Great for polywrapped containers or PET
- On site bendable
- Cut to desired length
- FDA approved engineered polymer

Preferred type, readily available (codes marked in red)



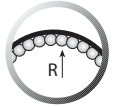
Acetal resin



Aluminum



[T-head screw M8 Splicing Pins](#)



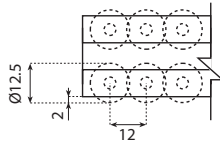
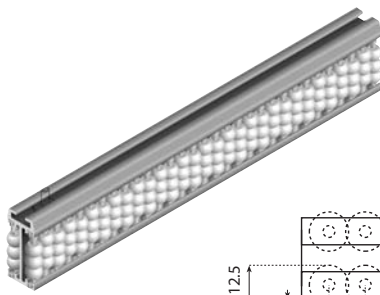
Min. bending Radius 760mm



Par. # 6,516,933 (USA)



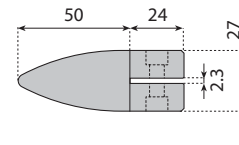
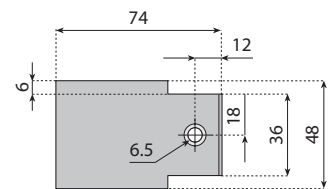
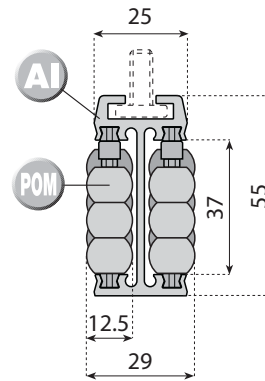
[Consult pages 123 → 127 for bending machines](#)



### 687 37 - ALUMINUM SPEEDRAIL SB™ 55mm

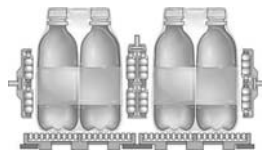
Code	Ref.			
<b>16S00050</b>	VG-687-37-2M	n°5*	2 m	n°2
<b>16S00051</b>	VG-687-37-3M	n°6*	3 m	n°2

\* Number of **13S00256** bolts included.



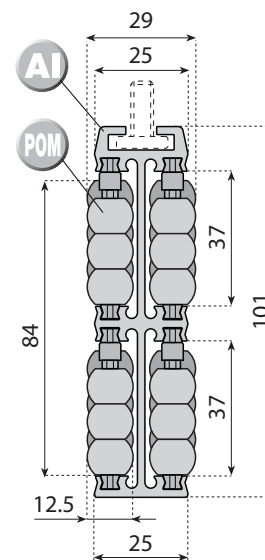
### MNP 37 - NOSE PLOW

Code	Ref.		Material	
<b>16S00151</b>	VG-687MNP-37	n°4	Nolu-S	Light Grey



### 687 83 - ALUMINUM SPEEDRAIL SB™ 101mm

Code	Ref.			
<b>16S00052</b>	VG-687-83-2M	n°5*	2 m	n°2
<b>16S00053</b>	VG-687-83-3M	n°6*	3 m	n°2



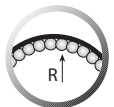
Acetal resin



Aluminum



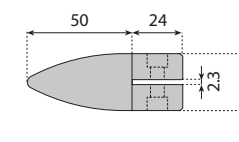
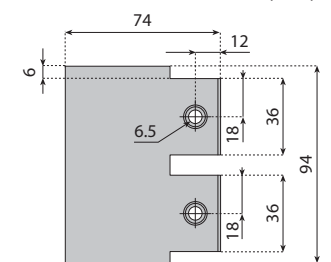
[T-head screw M8 Splicing Pins](#)



Min. bending Radius 760mm



Par. # 6,516,933 (USA)



### MNP 83 - NOSE PLOW

Code	Ref.		Material	
<b>16S00152</b>	VG-687MNP-83	n°4	Nolu-S	Light Grey



Stainless steel fastener included.

# Valu Guide Combiners

## ALUMINUM SPEEDROLL SB

**Material:** straps in aluminum, rollers in acetal resin. Screws in stainless steel.

**Features:**

- Easy mounting
- Great for polywrapped containers or PET
- On site bendable
- Cut to desired length
- FDA approved engineered polymer

 Preferred type, readily available (codes marked in red)



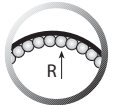
Acetal resin



Aluminum



T-head screw M8  
Splicing Pins



Min. bending  
Radius 760mm



PATENTED

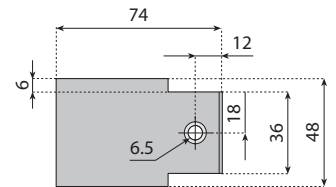
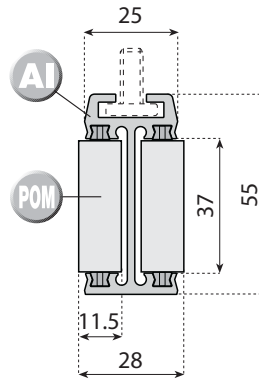
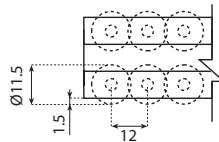


PATENT FEATURE


Par. # 6,516,933  
(USA)



Consult pages  
123 → 127 for  
bending machines






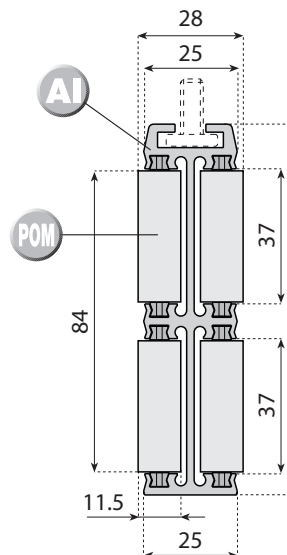
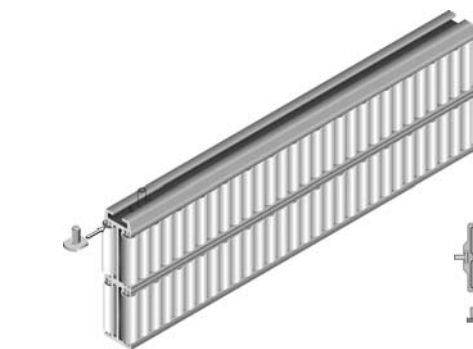
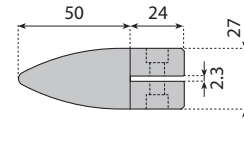
### 688 37 - ALUMINUM SPEEDROLL™ 55mm

Code	Ref.			
<b>16S00200</b>	VG-688-37-2M	n°5*	2 m	n°2
<b>16S00201</b>	VG-688-37-3M	n°6*	3 m	

\* Number of 13S00256 bolts included.

### MNP 37 - NOSE PLOW

Code	Ref.			
<b>16S00151</b>	VG-687MNP-37	n°4	Nolu-S	Light Grey



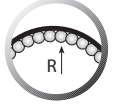
Acetal resin



Aluminum



T-head screw M8  
Splicing Pins



Min. bending  
Radius 760mm






PATENTED



PATENT FEATURE




Par. # 6,516,933  
(USA)

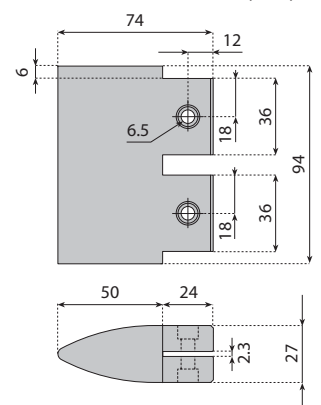
### 688 83 - ALUMINUM SPEEDROLL™ 101mm

Code	Ref.			
<b>16S00202</b>	VG-688-83-2M	n°5*	2 m	n°2
<b>16S00203</b>	VG-688-83-3M	n°6*	3 m	

\* Number of 13S00256 bolts included.

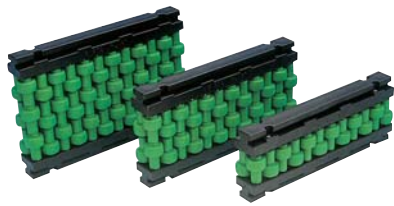
### MNP 83 - NOSE PLOW

Code	Ref.			
<b>16S00152</b>	VG-687MNP-83	n°4	Nolu-S	Light Grey



Stainless steel fastener included.

# Intermediary roller modules for straight sections



## INTERMEDIARY ROLLER MODULES FOR STRAIGHT SECTIONS ONE ROLLER • TWO ROLLERS • THREE ROLLERS

**Material:** straps in reinforced polyamide, rollers in acetal resin, screws in stainless steel. Pins see the table.  
**Conductive version:** straps in reinforced polyamide conductive, rollers and pins in acetal resin conductive.  
**Supply:** single module L. 168 mm.  
**Standard packaging:** 40 modules.  
**Applications:** designed for rugged boxes and containers.

### Features:

- Low noise rollers.
- Excellent for accumulation areas.
- Long life and smooth operation.
- Easy and quick installation.

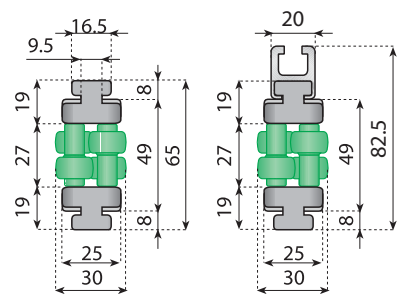
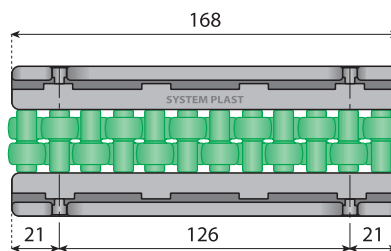
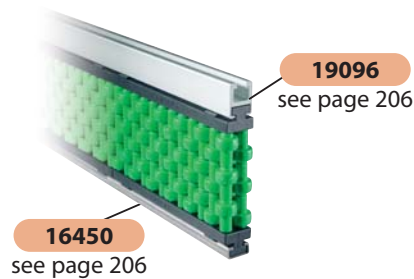
Preferred type, readily available (codes marked in red)

### ONE ROLLER MODULE

#### Components:

N° 24 Pins • N° 24 Rollers • N° 2 Straps.

Code	Kg/Pcs	Pins Material	Roller
<b>16351</b>		POM	Green
<b>16351B</b>	0.27	POM	White
<b>16351AS</b>		POM Antistatic	Antistatic black
<b>16351SS</b>		S/S	Green
<b>16351SSB</b>	0.44	AISI 430F	White
<b>16351ASS</b>			Antistatic black

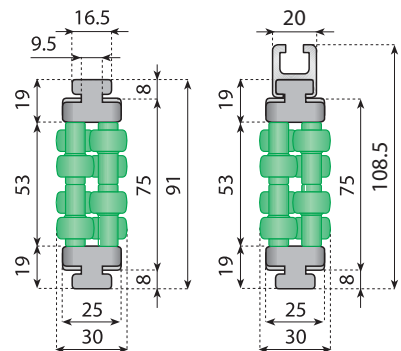
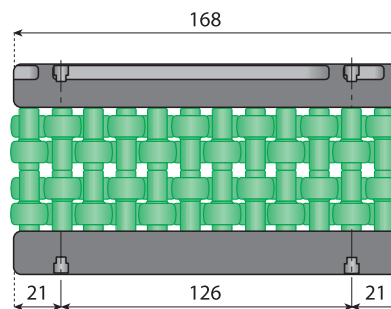


### TWO ROLLERS MODULE

#### Components:

N° 24 Pins • N° 48 Rollers • N° 2 Straps.

Code	Kg/Pcs	Pins Material	Roller
<b>16352</b>		POM	Green
<b>16352B</b>	0.32	POM	White
<b>16352AS</b>		POM Antistatic	Antistatic black
<b>16352SS</b>		S/S	Green
<b>16352SSB</b>	0.66	AISI 430F	White
<b>16352ASS</b>			Antistatic black

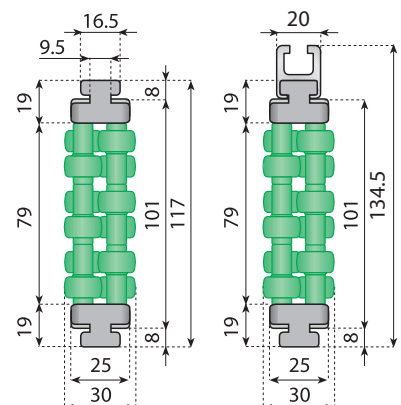
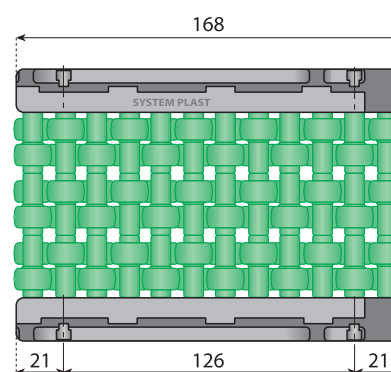


### THREE ROLLERS MODULE

#### Components:

N° 24 Pins • N° 72 Rollers • N° 2 Straps.

Code	Kg/Pcs	Pins Material	Roller
<b>16353SS</b>		S/S	Green
<b>16353SSB</b>	0.88	AISI 430F	White
<b>16353ASS</b>			Antistatic black



Acetal resin



Polyamide



Acetal resin conductive



Polyamide conductive



Accessories



AISI 304 Stainless steel



# Intermediary roller guide with steel profile for straight sections



## INTERMEDIARY ROLLER GUIDE WITH STEEL PROFILE FOR STRAIGHT SECTIONS - ONE ROLLER -

**Material:** straps in reinforced polyamide, rollers in acetal resin, screws in stainless steel.  
Pins and metal profile see the table.

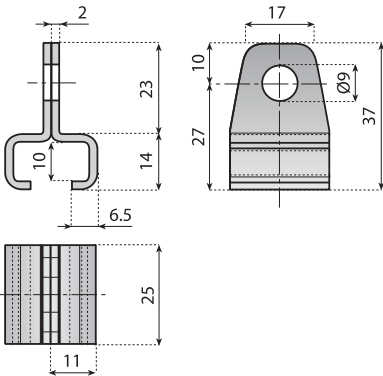
**Supply:** 1m steel profile with 6 roller modules.  
2m steel profile with 12 roller modules.  
3m steel profile with 18 roller modules.

**Standard packaging:** 5 completely assembled profiles.  
**Applications:** designed for rugged boxes and containers.

 Preferred type, readily available (codes marked in red)



### Features:

- Low noise rollers.
- Excellent for accumulation areas.
- Long life and smooth operation.
- Easy and quick installation.



### CLAMP

Code	Material	
<b>13833</b>	SS AISI 304	n°50

Code			Pins Material	Profile Material	Roller
<b>16150</b>		1 m			Green
<b>16150B</b>		1 m			White
<b>16151</b>	2.42	2 m	POM	S/S AISI 304	Green
<b>16151B</b>		2 m			White
<b>16152</b>		3 m			Green
<b>16152B</b>		3 m			White
<b>16160</b>		1 m			Green
<b>16160B</b>		1 m			White
<b>16161</b>	2.42	2 m	POM	Zinc plated steel	Green
<b>16161B</b>		2 m			White
<b>16162</b>		3 m			Green
<b>16162B</b>		3 m			White
<b>16150SS</b>		1 m			Green
<b>16150SSB</b>		1 m			White
<b>16151SS</b>	3.44	2 m	S/S AISI 430F	S/S AISI 304	Green
<b>16151SSB</b>		2 m			White
<b>16152SS</b>		3 m			Green
<b>16152SSB</b>		3 m			White
<b>16160SS</b>		1 m			Green
<b>16160SSB</b>		1 m			White
<b>16161SS</b>	3.44	2 m	S/S AISI 430F	Zinc plated steel	Green
<b>16161SSB</b>		2 m			White
<b>16162SS</b>		3 m			Green
<b>16162SSB</b>		3 m			White
<b>16150AS</b>		1 m	POM	S/S AISI 304	Antistatic black
<b>16151AS</b>	2.42	2 m	Antistatic		
<b>16152AS</b>		3 m			
<b>16160AS</b>		1 m	POM	Zinc plated steel	Antistatic black
<b>16161AS</b>	2.42	2 m	Antistatic		
<b>16162AS</b>		3 m			
<b>16150ASS</b>		1 m	S/S AISI 430F	S/S AISI 304	Antistatic black
<b>16151ASS</b>	3.44	2 m			
<b>16152ASS</b>		3 m			
<b>16160ASS</b>		1 m	S/S AISI 430F	Zinc plated steel	Antistatic black
<b>16161ASS</b>	3.44	2 m			
<b>16162ASS</b>		3 m			



Polyamide conductive



Acetal resin conductive



Polyamide



Zinc plated steel



Acetal resin



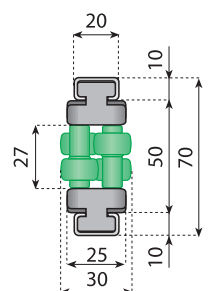
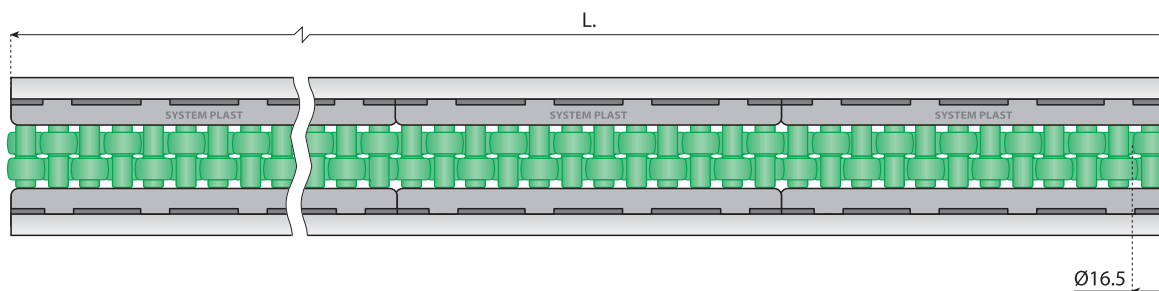
AISI 430 Stainless steel



AISI 304 Stainless steel



Accessories



# Intermediary roller guide with steel profile for straight sections



## INTERMEDIARY ROLLER GUIDE WITH STEEL PROFILE FOR STRAIGHT SECTIONS - TWO ROLLERS -

**Material:** straps in reinforced polyamide, rollers in acetal resin, screws in stainless steel.  
Pins and metal profile see the table.

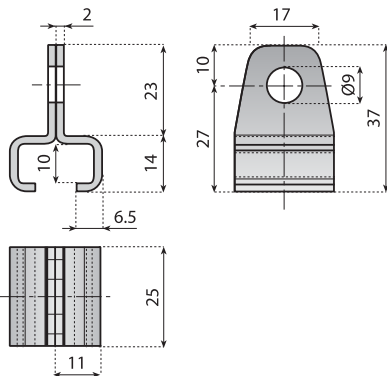
**Supply:** 1m steel profile with 6 roller modules.  
2m steel profile with 12 roller modules.  
3m steel profile with 18 roller modules.

**Standard packaging:** 5 completely assembled profiles.  
**Applications:** designed for rugged boxes and containers.

Preferred type, readily available (codes marked in red)

### Features:

- Low noise rollers.
- Excellent for accumulation areas.
- Long life and smooth operation.
- Easy and quick installation.



### CLAMP

#### Code

**13833** SS AISI 304 n°50



Code	Kg/m	L	Pins Material	Profile Material	Roller
<b>16153</b>		1 m			Green
<b>16153B</b>		1 m			White
<b>16154</b>	2.72	2 m	POM	S/S AISI 304	Green
<b>16154B</b>		2 m			White
<b>16155</b>		3 m			Green
<b>16155B</b>		3 m			White
<b>16163</b>		1 m			Green
<b>16163B</b>		1 m			White
<b>16164</b>	2.72	2 m	POM	Zinc plated steel	Green
<b>16164B</b>		2 m			White
<b>16165</b>		3 m			Green
<b>16165B</b>		3 m			White
<b>16153SS</b>		1 m			Green
<b>16153SSB</b>		1 m			White
<b>16154SS</b>	4.76	2 m	S/S AISI 430F	S/S AISI 304	Green
<b>16154SSB</b>		2 m			White
<b>16155SS</b>		3 m			Green
<b>16155SSB</b>		3 m			White
<b>16163SS</b>		1 m			Green
<b>16163SSB</b>		1 m			White
<b>16164SS</b>	4.76	2 m	S/S AISI 430F	Zinc plated steel	Green
<b>16164SSB</b>		2 m			White
<b>16165SS</b>		3 m			Green
<b>16165SSB</b>		3 m			White
<b>16153AS</b>		1 m	POM	S/S AISI 304	Antistatic black
<b>16154AS</b>	2.72	2 m	Antistatic		
<b>16155AS</b>		3 m			
<b>16163AS</b>		1 m	POM	Zinc plated steel	Antistatic black
<b>16164AS</b>	2.72	2 m	Antistatic		
<b>16165AS</b>		3 m			
<b>16153ASS</b>		1 m	S/S AISI 430F	S/S AISI 304	Antistatic black
<b>16154ASS</b>	4.76	2 m			
<b>16155ASS</b>		3 m			
<b>16163ASS</b>		1 m	S/S AISI 430F	Zinc plated steel	Antistatic black
<b>16164ASS</b>	4.76	2 m			
<b>16165ASS</b>		3 m			



Polyamide conductive



Acetal resin conductive



Polyamide



Zinc plated steel



Acetal resin



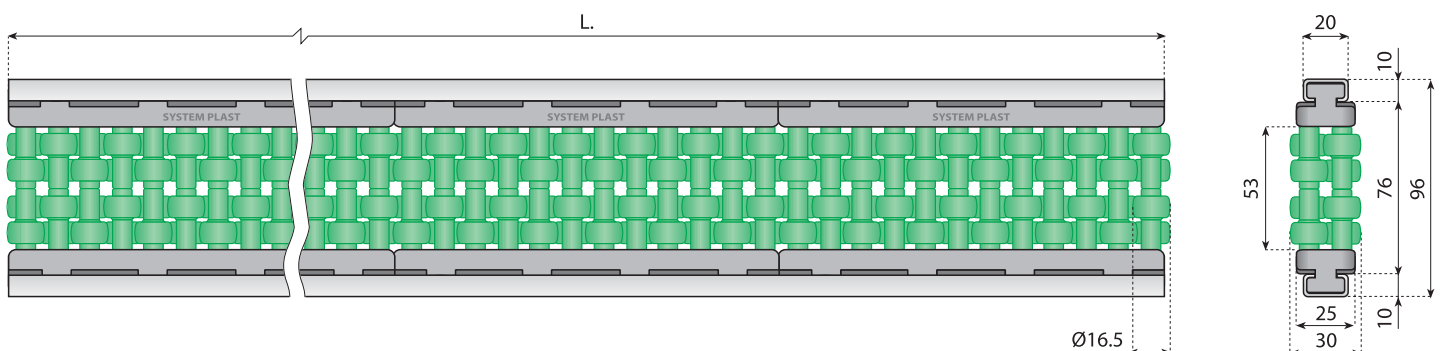
AISI 430 Stainless steel



AISI 304 Stainless steel



Accessories



# Intermediary roller guide with steel profile for straight sections



- Low noise rollers.
- Excellent for accumulation areas.
- Long life and smooth operation.
- Easy and quick installation.

## INTERMEDIARY ROLLER GUIDE WITH STEEL PROFILE FOR STRAIGHT SECTIONS - THREE ROLLERS -

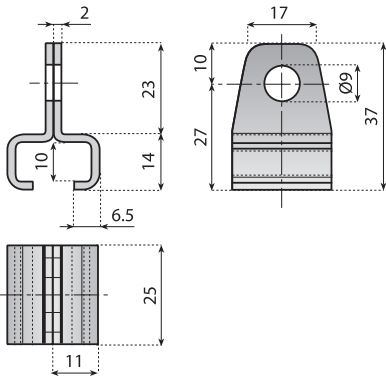
**Material:** straps in reinforced polyamide, rollers in acetal resin, screws in stainless steel.  
Pins and metal profile see the table.

**Supply:** 1m steel profile with 6 roller modules.  
2m steel profile with 12 roller modules.  
3m steel profile with 18 roller modules.

**Standard packaging:** 5 completely assembled profiles.

**Applications:** designed for rugged boxes and containers.

Preferred type, readily available (codes marked in red)



### CLAMP

Code	Material	Quantity
<b>13833</b>	SS AISI 304	n°50

Code	Kg/m	L	Pins Material	Profile Material	Roller
<b>16156SS</b>		1 m			Green
<b>16156SSB</b>		1 m			White
<b>16157SS</b>	6.08	2 m	S/S	S/S	Green
<b>16157SSB</b>		2 m	AISI 430F	AISI 304	White
<b>16158SS</b>		3 m			Green
<b>16158SSB</b>		3 m			White
<b>16166SS</b>		1 m			Green
<b>16166SSB</b>		1 m			White
<b>16167SS</b>	6.08	2 m	S/S	Zinc plated steel	Green
<b>16167SSB</b>		2 m	AISI 430F		White
<b>16168SS</b>		3 m			Green
<b>16168SSB</b>		3 m			White
<b>16156AS</b>	3.08	1 m	POM	S/S	Antistatic black
<b>16157AS</b>		2 m	Antistatic	AISI 304	
<b>16158AS</b>		3 m			
<b>16166AS</b>	3.08	1 m	POM	Zinc plated steel	Antistatic black
<b>16167AS</b>		2 m	Antistatic		
<b>16168AS</b>		3 m			
<b>16156ASS</b>	6.08	1 m	S/S	S/S	Antistatic black
<b>16157ASS</b>		2 m	AISI 430F	AISI 304	
<b>16158ASS</b>		3 m			
<b>16166ASS</b>	6.08	1 m	S/S	Zinc plated steel	Antistatic black
<b>16167ASS</b>		2 m	AISI 430F		
<b>16168ASS</b>		3 m			



Polyamide conductive



Acetal resin conductive



Polyamide



Zinc plated steel



Acetal resin



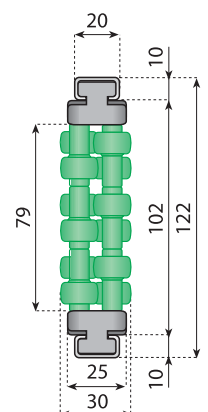
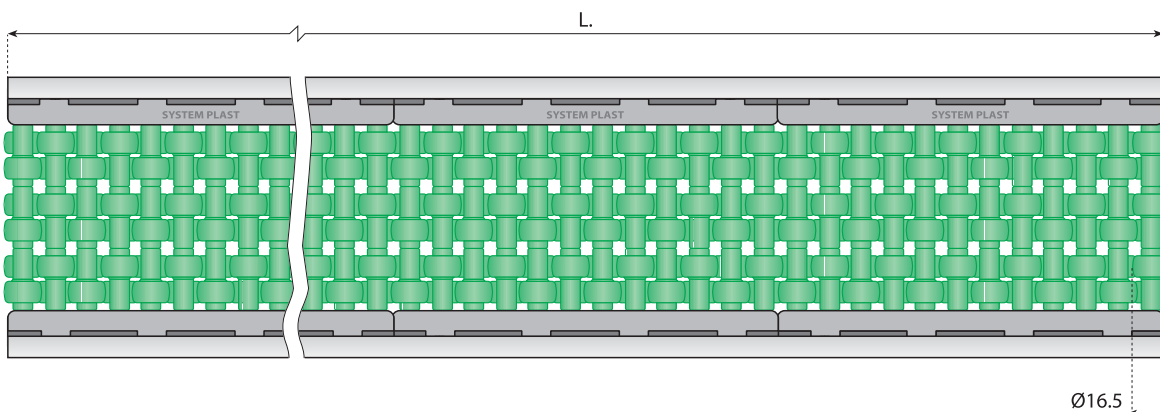
AISI 430 Stainless steel



AISI 304 Stainless steel



Accessories



# Intermediary roller modules for curved sections

## INTERMEDIARY ROLLER MODULES FOR CURVED SECTIONS ONE ROLLER • TWO ROLLERS • THREE ROLLERS

**Material:** straps in reinforced polyamide, rollers in acetal resin, screws in stainless steel. Pins see the table.

**Conductive version:** straps in reinforced polyamide conductive, rollers and pins in acetal resin conductive.

**Supply:** supplied as single module L. 85 mm.

**Standard packaging:** 40 modules.

**Applications:** designed for rugged boxes and containers.

Preferred type, readily available (codes marked in red)



Acetal resin conductive



Polyamide conductive



Acetal resin



Polyamide



Accessories

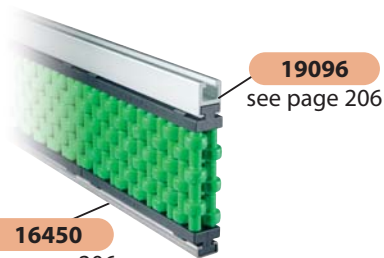


AISI 430  
Stainless steel



### Features:

- Low noise rollers.
- Excellent for accumulation areas.
- Long life and smooth operation.
- Easy and quick installation.



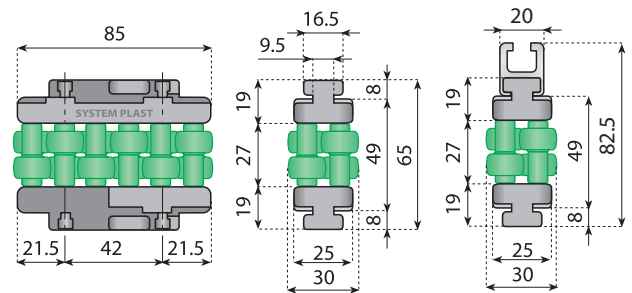
**16450**  
see page 206

### ONE ROLLER MODULE

#### Components:

N° 12 Pins • N° 12 Rollers • N° 2 Straps

Code	Kg/Pcs	Pins Material	Roller
<b>16451</b>	0.14	POM	Green
<b>16451B</b>		POM	White
<b>16451AS</b>	0.23	POM Antistatic	Antistatic black
<b>16451SS</b>		S/S	Green
<b>16451SSB</b>		AISI 430F	White
<b>16451ASS</b>			Antistatic black

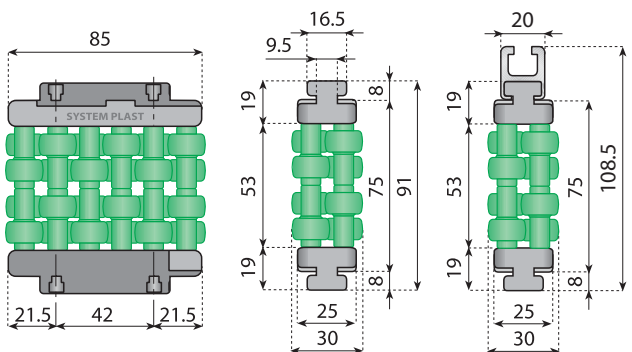


### TWO ROLLERS MODULE

#### Components:

N° 12 Pins • N° 12 Rollers • N° 2 Straps

Code	Kg/Pcs	Pins Material	Roller
<b>16452</b>	0.17	POM	Green
<b>16452B</b>		POM	White
<b>16452AS</b>	0.33	POM Antistatic	Antistatic black
<b>16452SS</b>		S/S	Green
<b>16452SSB</b>		AISI 430F	White
<b>16452ASS</b>			Antistatic black

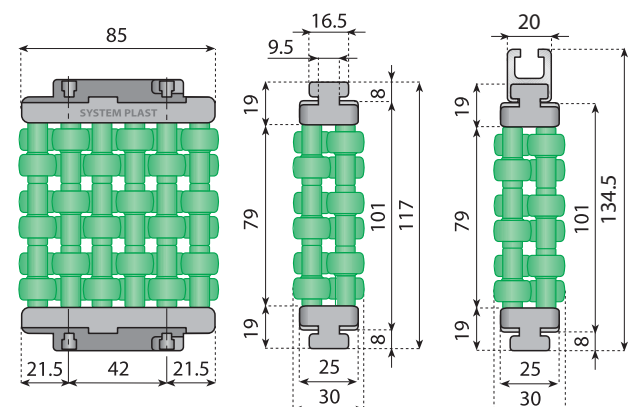


### THREE ROLLERS MODULE

#### Components:

N° 12 Pins • N° 12 Rollers • N° 2 Straps

Code	Kg/Pcs	Pins Material	Roller
<b>16453SS</b>	0.44	S/S	Green
<b>16453SSB</b>		AISI 430F	White
<b>16453ASS</b>			Antistatic black



# Intermediary roller guide with steel profile for curved sections

## INTERMEDIARY ROLLER GUIDE WITH STEEL PROFILE FOR CURVED SECTIONS ONE ROLLER • TWO ROLLERS • THREE ROLLERS

**Material:** straps in reinforced polyamide, rollers in acetal resin, screws in stainless steel. Pins and metal profile see the table.

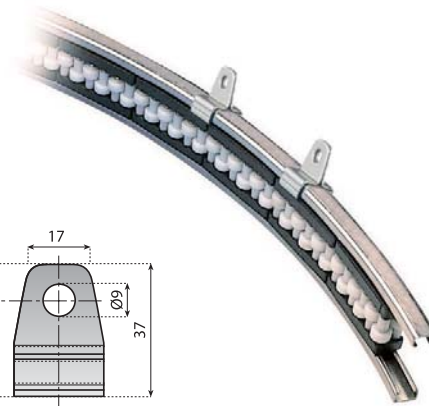
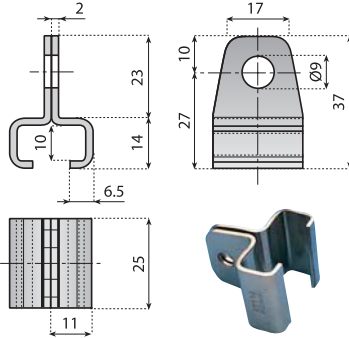
**Supply:** 3m steel profile with 35 roller modules 35 pieces.

**Standard packaging:** 5 completely assembled profiles.

**Applications:** designed for rugged boxes and containers.

### Features:

- Low noise rollers.
- Excellent for accumulation areas.
- Long life and smooth operation.
- Easy and quick installation.



### CLAMP

Code

13833

Material

SS AISI 304

Roller

n°50



Acetal resin conductive



Acetal resin



AISI 304 Stainless steel



Accessories



Polyamide conductive



Polyamide



AISI 430 Stainless steel

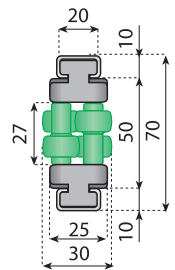
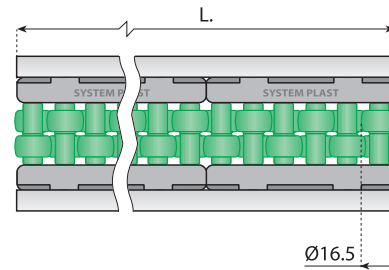


Zinc plated steel



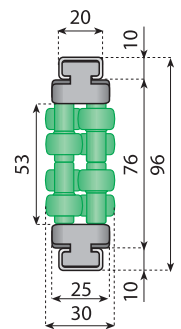
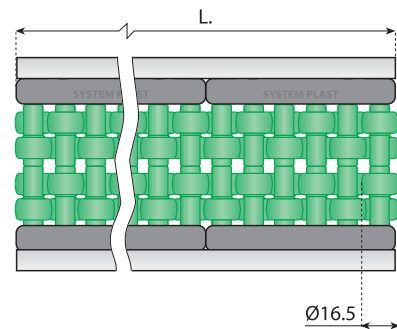
### ONE ROLLER

Code	Kg/m	L	Pins Material	Profile Material	Roller
16200				S/S AISI 304	Green
16200B				S/S AISI 304	White
16201	1.9	3 m	POM	Zinc plated steel	Green
16201B				Zinc plated steel	White
16200SS				S/S AISI 304	Green
16200SSB				S/S AISI 304	White
16201SS	2.9	3 m	S/S AISI 430F	Zinc plated steel	Green
16201SSB				Zinc plated steel	White
16200AS	1.9	3 m	POM	S/S AISI 304	Antistatic black
16201AS			Antistatic	Zinc plated steel	black
16200ASS	2.9	3 m	S/S AISI 430F	S/S AISI 304	Antistatic black
16201ASS				Zinc plated steel	black



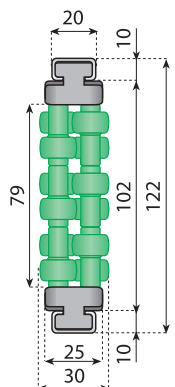
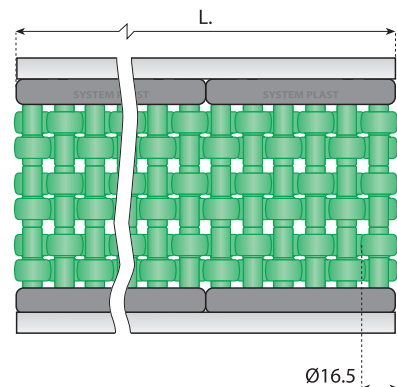
### TWO ROLLERS

Code	Kg/m	L	Pins Material	Profile Material	Roller
16202				S/S AISI 304	Green
16202B				S/S AISI 304	White
16203	2.25	3 m	POM	Zinc plated steel	Green
16203B				Zinc plated steel	White
16202SS				S/S AISI 304	Green
16202SSB				S/S AISI 304	White
16203SS	4.15	3 m	S/S AISI 430F	Zinc plated steel	Green
16203SSB				Zinc plated steel	White
16202AS	2.25	3 m	POM	S/S AISI 304	Antistatic black
16203AS			Antistatic	Zinc plated steel	black
16202ASS	4.15	3 m	S/S AISI 430F	S/S AISI 304	Antistatic black
16203ASS				Zinc plated steel	black



### THREE ROLLERS

Code	Kg/m	L	Pins Material	Profile Material	Roller
16204SS				S/S AISI 304	Green
16204SSB				S/S AISI 304	White
16205SS	5.40	3 m	S/S AISI 430F	Zinc plated steel	Green
16205SSB				Zinc plated steel	White
16204AS	2.60	3 m	POM	S/S AISI 304	Antistatic black
16205AS			Antistatic	Zinc plated steel	black
16204ASS	5.40	3 m	S/S AISI 430F	S/S AISI 304	Antistatic black
16205ASS				Zinc plated steel	black



Preferred type, readily available (codes marked in red)

# Accumulation roller side guides with the possibility of fixing with clamps

## ACCUMULATION ROLLER SIDE GUIDES - ONE ROLLER -

**Material:** straps in reinforced polyamide, rollers in acetal resin, screws in stainless steel. Pins and metal profile see the table.

**Supply:** 1m steel profile with 4 roller modules.

2m steel profile with 8 roller modules.

3m steel profile with 12 roller modules.

**Standard packaging:** 2 completely assembled guides.

**Applications:** designed for rugged boxes and containers.

**Note:** each segment can be pulled out without removing pins and rollers. The new design of the side strap provides a position for the clamp without the need for screws or other fixing methods on the conveyors.

Preferred type, readily available (codes marked in red)



### Features:

- Low noise rollers.
- Excellent for accumulation areas.
- Long life and smooth operation.
- Easy and quick installation.

Code	Kg/m	L	Pins Material	Profile Material	Roller
<b>16686LX</b>		1 m			White
<b>16686VX</b>		1 m			Green
<b>16687LX</b>	2.0	2 m	POM	S/S AISI 304	White
<b>16687VX</b>		2 m			Green
<b>16688LX</b>		3 m			White
<b>16688VX</b>		3 m			Green
<b>16001LX</b>		1 m			White
<b>16001VX</b>		1 m			Green
<b>16002LX</b>	2.0	2 m	POM	Zinc plated steel	White
<b>16002VX</b>		2 m			Green
<b>16003LX</b>		3 m			White
<b>16003VX</b>		3 m			Green
<b>16686LXS</b>		1 m			White
<b>16686VXS</b>		1 m			Green
<b>16687LXS</b>	2.4	2 m	S/S AISI 430F	S/S AISI 304	White
<b>16687VXS</b>		2 m			Green
<b>16688LXS</b>		3 m			White
<b>16688VXS</b>		3 m			Green
<b>16001LXS</b>		1 m			White
<b>16001VXS</b>		1 m			Green
<b>16002LXS</b>	2.4	2 m	S/S AISI 430F	Zinc plated steel	White
<b>16002VXS</b>		2 m			Green
<b>16003LXS</b>		3 m			White
<b>16003VXS</b>		3 m			Green
<b>16686LXA</b>		1 m	POM	S/S AISI 304	Antistatic black
<b>16687LXA</b>	2.0	2 m	Antistatic		
<b>16688LXA</b>		3 m			
<b>16001LXA</b>		1 m	POM	Zinc plated steel	Antistatic black
<b>16002LXA</b>	2.0	2 m	Antistatic		
<b>16003LXA</b>		3 m			
<b>16686LXAS</b>		1 m	S/S AISI 430F	S/S AISI 304	Antistatic black
<b>16687LXAS</b>	2.4	2 m			
<b>16688LXAS</b>		3 m			
<b>16001LXAS</b>		1 m	S/S AISI 430F	Zinc plated steel	Antistatic black
<b>16002LXAS</b>	2.4	2 m			
<b>16003LXAS</b>		3 m			



Polyamide  
conductive



Acetal resin  
conductive



Polyamide



Zinc plated steel



Acetal resin



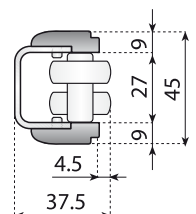
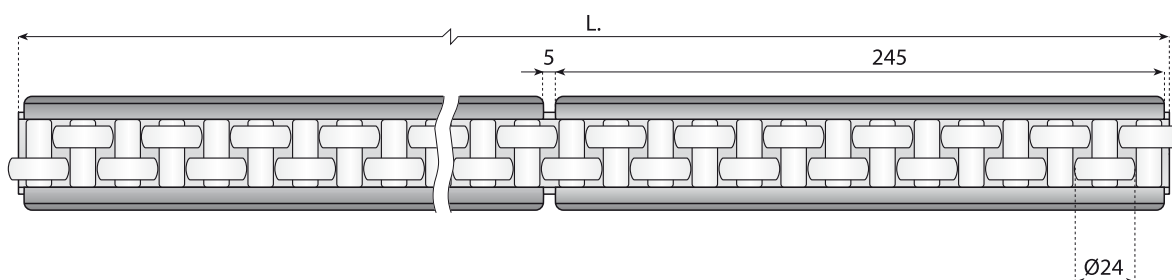
AISI 430  
Stainless steel



AISI 304  
Stainless steel



Accessories



# Accumulation roller side guides

## ACCUMULATION ROLLER SIDE GUIDES - ONE ROLLER -

**Material:** straps in reinforced polyamide, rollers in acetal resin, screws in stainless steel. Pins and metal profile see the table.

**Supply:** 1m steel profile with 4 roller modules.

2m steel profile with 8 roller modules.

3m steel profile with 12 roller modules.

**Standard packaging:** 2 completely assembled guides.

**Applications:** designed for rugged boxes and containers.






**Note:** each segment can be pulled out without removing pins and rollers.

 Preferred type, readily available (codes marked in red)



### Features:

- Low noise rollers.
- Excellent for accumulation areas.
- Long life and smooth operation.
- Easy and quick installation.

Code	 Kg/m	 L	 Pins Material	 Profile Material	 Roller
<b>16686L</b>		1 m			White
<b>16686V</b>		1 m			Green
<b>16687L</b>	2.2	2 m	POM	S/S	White
<b>16687V</b>		2 m		AISI 304	Green
<b>16688L</b>		3 m			White
<b>16688V</b>		3 m			Green
<b>16001L</b>		1 m			White
<b>16001V</b>		1 m			Green
<b>16002L</b>	2.2	2 m	POM	Zinc plated steel	White
<b>16002V</b>		2 m			Green
<b>16003L</b>		3 m			White
<b>16003V</b>		3 m			Green
<b>16686LSS</b>		1 m			White
<b>16686VSS</b>		1 m			Green
<b>16687LSS</b>	2.6	2 m	S/S	S/S	White
<b>16687VSS</b>		2 m	AISI 430F	AISI 304	Green
<b>16688LSS</b>		3 m			White
<b>16688VSS</b>		3 m			Green
<b>16001LSS</b>		1 m			White
<b>16001VSS</b>		1 m			Green
<b>16002LSS</b>	2.6	2 m	S/S	Zinc plated steel	White
<b>16002VSS</b>		2 m	AISI 430F		Green
<b>16003LSS</b>		3 m			White
<b>16003VSS</b>		3 m			Green
<b>16686AS</b>	2.2	1 m	POM	S/S	Antistatic black
<b>16687AS</b>		2 m	Antistatic	AISI 304	
<b>16688AS</b>		3 m			
<b>16001AS</b>	2.2	1 m	POM	Zinc plated steel	Antistatic black
<b>16002AS</b>		2 m	Antistatic		
<b>16003AS</b>		3 m			
<b>16686ASS</b>	2.6	1 m	S/S	S/S	Antistatic black
<b>16687ASS</b>		2 m	AISI 430F	AISI 304	
<b>16688ASS</b>		3 m			
<b>16001ASS</b>	2.6	1 m	S/S	Zinc plated steel	Antistatic black
<b>16002ASS</b>		2 m	AISI 430F		
<b>16003ASS</b>		3 m			



Polyamide conductive



Acetal resin conductive



Polyamide



Zinc plated steel



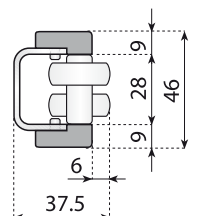
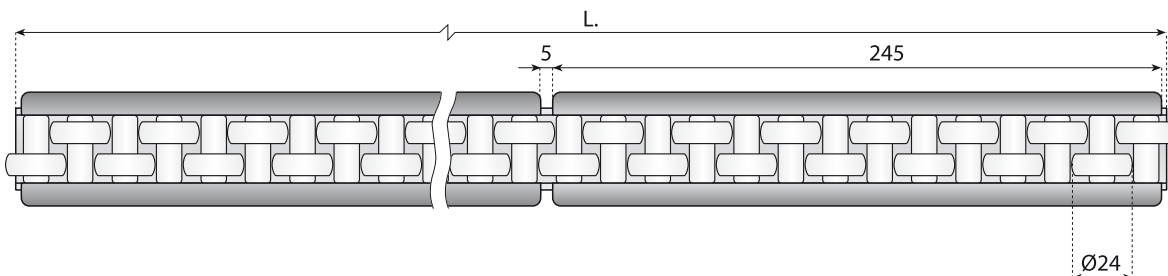
Acetal resin



AISI 430  
Stainless steel



AISI 304  
Stainless steel



# Accumulation roller side guides

## ACCUMULATION ROLLER SIDE GUIDES - TWO ROLLERS -

**Material:** straps in reinforced polyamide, rollers in acetal resin, screws in stainless steel. Pins and metal profile see the table.

**Supply:** 1m steel profile with 4 roller modules.

2m steel profile with 8 roller modules.

3m steel profile with 12 roller modules.

**Standard packaging:** 2 completely assembled guides.

**Applications:** designed for rugged boxes and containers.

**Note:** each segment can be pulled out without removing pins and rollers.

Preferred type, readily available (codes marked in red)



### Features:

- Low noise rollers.
- Excellent for accumulation areas.
- Long life and smooth operation.
- Easy and quick installation.

Code	Kg/m	L	Pins Material	Profile Material	Roller
<b>16683L</b>		1 m			White
<b>16683V</b>		1 m			Green
<b>16684L</b>	3.1	2 m	POM	S/S AISI 304	White
<b>16684V</b>		2 m			Green
<b>16685L</b>		3 m			White
<b>16685V</b>		3 m			Green
<b>16004L</b>		1 m			White
<b>16004V</b>		1 m			Green
<b>16005L</b>	3.1	2 m	POM	Zinc plated steel	White
<b>16005V</b>		2 m			Green
<b>16006L</b>		3 m			White
<b>16006V</b>		3 m			Green
<b>16683LSS</b>		1 m			White
<b>16683VSS</b>		1 m			Green
<b>16684LSS</b>	3.8	2 m	S/S AISI 430F	S/S AISI 304	White
<b>16684VSS</b>		2 m			Green
<b>16685LSS</b>		3 m			White
<b>16685VSS</b>		3 m			Green
<b>16004LSS</b>		1 m			White
<b>16004VSS</b>		1 m			Green
<b>16005LSS</b>	3.8	2 m	S/S AISI 430F	Zinc plated steel	White
<b>16005VSS</b>		2 m			Green
<b>16006LSS</b>		3 m			White
<b>16006VSS</b>		3 m			Green
<b>16683AS</b>		1 m	POM	S/S AISI 304	Antistatic black
<b>16684AS</b>	3.1	2 m	Antistatic		
<b>16685AS</b>		3 m			
<b>16004AS</b>		1 m	POM	Zinc plated steel	Antistatic black
<b>16005AS</b>	3.1	2 m	Antistatic		
<b>16006AS</b>		3 m			
<b>16683ASS</b>		1 m	S/S	S/S	Antistatic black
<b>16684ASS</b>	3.8	2 m	AISI 430F	AISI 304	
<b>16685ASS</b>		3 m			
<b>16004ASS</b>		1 m	S/S	Zinc plated steel	Antistatic black
<b>16005ASS</b>	3.8	2 m	AISI 430F		
<b>16006ASS</b>		3 m			



Polyamide  
conductive



Acetal resin  
conductive



Polyamide



Zinc plated steel



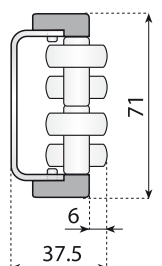
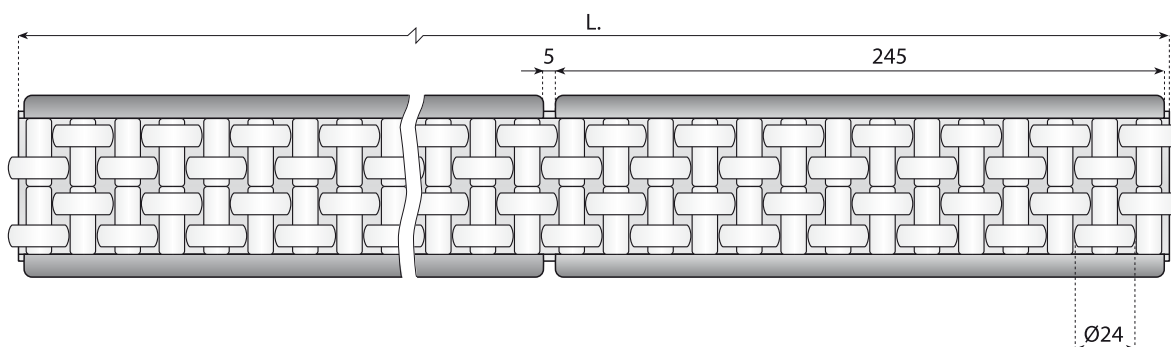
Acetal resin



AISI 430  
Stainless steel



AISI 304  
Stainless steel



# Accumulation roller side guides

## ACCUMULATION ROLLER SIDE GUIDES - THREE ROLLERS -

**Material:** straps in reinforced polyamide, rollers in acetal resin, screws in stainless steel. Pins and metal profile see the table.

**Supply:** 1m steel profile with 4 roller modules.  
2m steel profile with 8 roller modules.  
3m steel profile with 12 roller modules.

**Standard packaging:** 2 completely assembled guides.

**Applications:** designed for rugged boxes and containers.






**Note:** each segment can be pulled out without removing pins and rollers.

 Preferred type, readily available (codes marked in red)



### Features:

- Low noise rollers.
- Excellent for accumulation areas.
- Long life and smooth operation.
- Easy and quick installation.

Code	 Kg/m	 L	 Pins Material	 Profile Material	 Roller
<b>16689L</b>		1 m			White
<b>16689V</b>		1 m			Green
<b>16690L</b>	5.0	2 m	S/S	S/S	White
<b>16690V</b>		2 m	AISI 430F	AISI 304	Green
<b>16691L</b>		3 m			White
<b>16691V</b>		3 m			Green
<b>16007L</b>		1 m			White
<b>16007V</b>		1 m			Green
<b>16008L</b>	5.0	2 m	S/S	Zinc	White
<b>16008V</b>		2 m	AISI 430F	plated steel	Green
<b>16009L</b>		3 m			White
<b>16009V</b>		3 m			Green
<b>16689AS</b>		1 m			
<b>16690AS</b>	5.0	2 m	S/S	S/S	Black/Antistatic
<b>16691AS</b>		3 m	AISI 430F	AISI 304	
<b>16007AS</b>		1 m			
<b>16008AS</b>	5.0	2 m	S/S	Zinc	Black/Antistatic
<b>16009AS</b>		3 m	AISI 430F	plated steel	



Polyamide conductive



Acetal resin conductive



Polyamide



Zinc plated steel



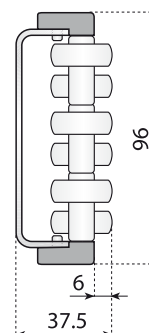
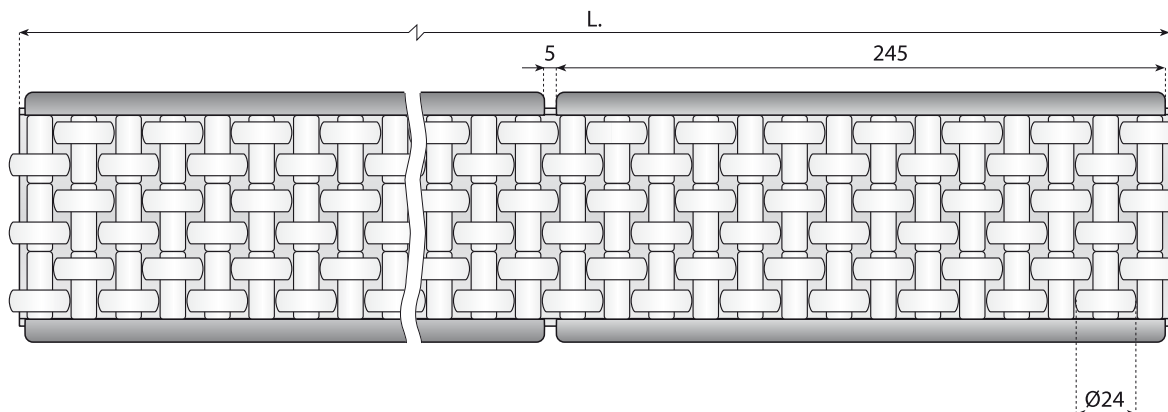
Acetal resin



AISI 430 Stainless steel



AISI 304 Stainless steel



# Accumulation roller side guides

## ACCUMULATION ROLLER SIDE GUIDES - FOUR ROLLERS -

**Material:** straps in reinforced polyamide, rollers in acetal resin, screws in stainless steel. Pins and metal profile see the table.

**Supply:** 1m steel profile with 4 roller modules.

2m steel profile with 8 roller modules.

3m steel profile with 12 roller modules.

**Standard packaging:** 2 completely assembled guides.

**Applications:** designed for rugged boxes and containers.

**Note:** each segment can be pulled out without removing pins and rollers.

Preferred type, readily available (codes marked in red)



Polyamide conductive



Acetal resin conductive



Polyamide



Zinc plated steel



Acetal resin



AISI 430 Stainless steel

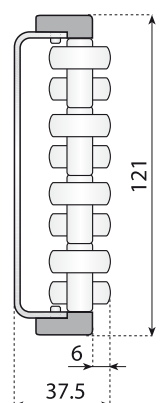
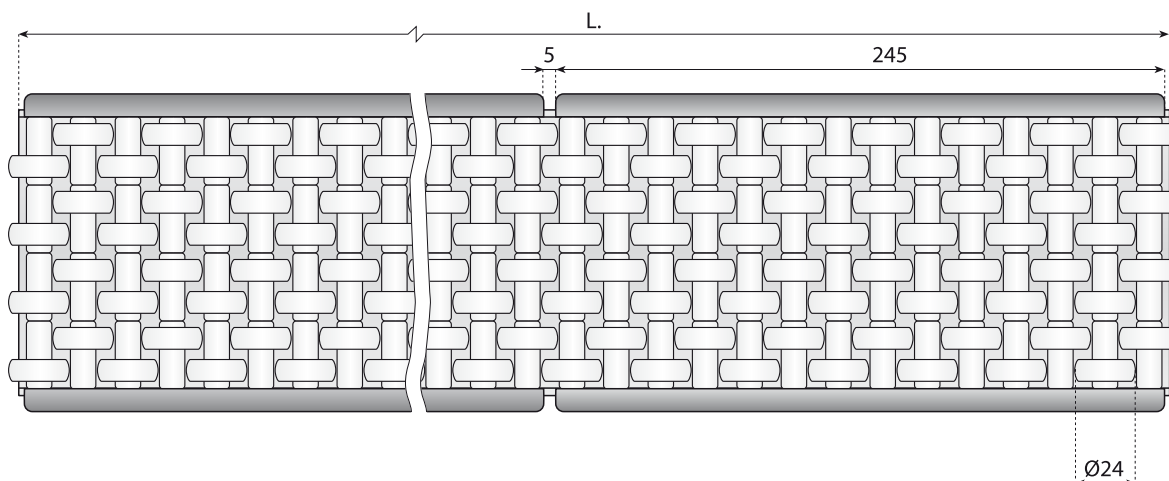


AISI 304 Stainless steel

### Features:

- Low noise rollers.
- Excellent for accumulation areas.
- Long life and smooth operation.
- Easy and quick installation.

Code	Kg/m	L	Pins Material	Profile Material	Roller
<b>16400L</b>		1 m			White
<b>16400V</b>		1 m			Green
<b>16401L</b>	6.2	2 m	S/S	S/S	White
<b>16401V</b>		2 m	AISI 430F	AISI 304	Green
<b>16402L</b>		3 m			White
<b>16402V</b>		3 m			Green
<b>16011L</b>		1 m			White
<b>16011V</b>		1 m			Green
<b>16012L</b>	6.2	2 m	S/S	Zinc	White
<b>16012V</b>		2 m	AISI 430F	plated steel	Green
<b>16013L</b>		3 m			White
<b>16013V</b>		3 m			Green
<b>16400AS</b>		1 m	S/S	S/S	Black/Antistatic
<b>16401AS</b>	6.2	2 m	AISI 430F	AISI 304	Black/Antistatic
<b>16402AS</b>		3 m			
<b>16011AS</b>		1 m	S/S	Zinc	Black/Antistatic
<b>16012AS</b>	6.2	2 m	AISI 430F	plated steel	Black/Antistatic
<b>16013AS</b>		3 m			



# Accumulation roller side guides

## ACCUMULATION ROLLER SIDE GUIDES - ONE ROLLER -

**Material:** straps in reinforced polyamide, rollers in acetal resin, screws in stainless steel. Pins and metal profile see the table.

**Supply:** 1m steel profile with 4 roller modules.  
2m steel profile with 8 roller modules.  
3m steel profile with 12 roller modules.

**Standard packaging:** 2 completely assembled guides.

**Applications:** designed for rugged boxes and containers.

**Note:** each segment can be pulled out without removing pins and rollers.






 Preferred type, readily available (codes marked in red)



### Features:

- Low noise rollers.
- Excellent for accumulation areas.
- Long life and smooth operation.
- Easy and quick installation.

*Mini gap*

Code	 Kg/m	 L	 Pins Material	 Profile Material	 Roller
<b>16050B</b>		1 m			White
<b>16050</b>		1 m			Green
<b>16051B</b>	2.4	2 m	POM	S/S	White
<b>16051</b>		2 m		AISI 304	Green
<b>16052B</b>		3 m			White
<b>16052</b>		3 m			Green
<b>16030B</b>		1 m			White
<b>16030</b>		1 m			Green
<b>16031B</b>	2.4	2 m	POM	Zinc plated steel	White
<b>16031</b>		2 m			Green
<b>16032B</b>		3 m			White
<b>16032</b>		3 m			Green
<b>16050BSS</b>		1 m			White
<b>16050SS</b>		1 m			Green
<b>16051BSS</b>	2.8	2 m	S/S	S/S	White
<b>16051SS</b>		2 m	AISI 430F	AISI 304	Green
<b>16052BSS</b>		3 m			White
<b>16052SS</b>		3 m			Green
<b>16030BSS</b>		1 m			White
<b>16030SS</b>		1 m			Green
<b>16031BSS</b>	2.8	2 m	S/S	Zinc plated steel	White
<b>16031SS</b>		2 m	AISI 430F		Green
<b>16032BSS</b>		3 m			White
<b>16032SS</b>		3 m			Green
<b>16050AS</b>		1 m	POM	S/S	Antistatic black
<b>16051AS</b>	2.4	2 m	Antistatic	AISI 304	
<b>16052AS</b>		3 m			
<b>16030AS</b>		1 m	POM	Zinc plated steel	Antistatic black
<b>16031AS</b>	2.4	2 m	Antistatic		
<b>16032AS</b>		3 m			
<b>16050ASS</b>		1 m	S/S	S/S	Antistatic black
<b>16051ASS</b>	2.8	2 m	AISI 430F	AISI 304	
<b>16052ASS</b>		3 m			
<b>16030ASS</b>		1 m	S/S	Zinc plated steel	Antistatic black
<b>16031ASS</b>	2.8	2 m	AISI 430F		
<b>16032ASS</b>		3 m			



Polyamide conductive



Acetal resin conductive



Polyamide



Zinc plated steel



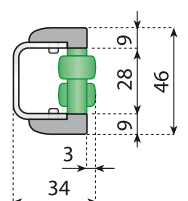
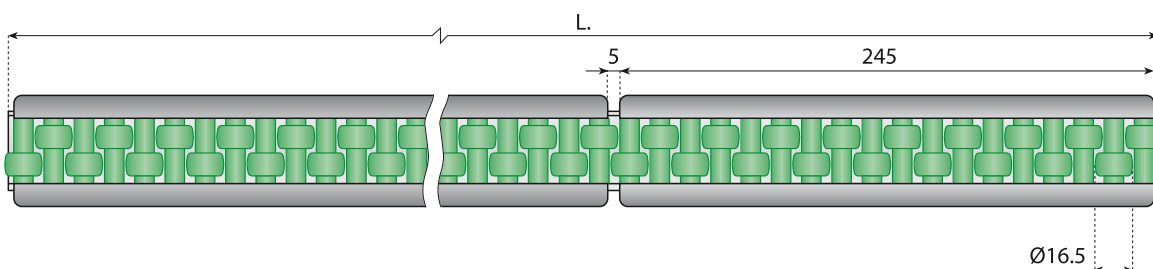
Acetal resin



AISI 430 Stainless steel



AISI 304 Stainless steel



# Accumulation roller side guides

## ACCUMULATION ROLLER SIDE GUIDES - TWO ROLLERS -

**Material:** straps in reinforced polyamide, rollers in acetal resin, screws in stainless steel. Pins and metal profile see the table.

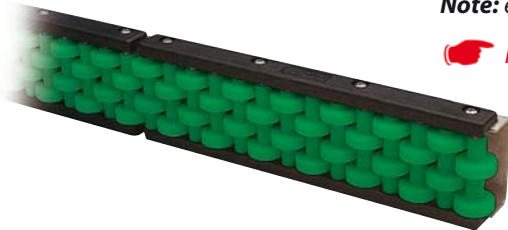
**Supply:** 1m steel profile with 4 roller modules.  
2m steel profile with 8 roller modules.  
3m steel profile with 12 roller modules.

**Standard packaging:** 2 completely assembled guides.

**Applications:** designed for rugged boxes and containers.

**Note:** each segment can be pulled out without removing pins and rollers.

Preferred type, readily available (codes marked in red)



### Features:

- Low noise rollers.
- Excellent for accumulation areas.
- Long life and smooth operation.
- Easy and quick installation.

*Mini gap*

Code	Kg/m	L	Pins Material	Profile Material	Roller
<b>16053B</b>		1 m			White
<b>16053</b>		1 m			Green
<b>16054B</b>	3.5	2 m	POM	S/S	White
<b>16054</b>		2 m		AISI 304	Green
<b>16055B</b>		3 m			White
<b>16055</b>		3 m			Green
<b>16033B</b>		1 m			White
<b>16033</b>		1 m			Green
<b>16034B</b>	3.5	2 m	POM	Zinc plated steel	White
<b>16034</b>		2 m			Green
<b>16035B</b>		3 m			White
<b>16035</b>		3 m			Green
<b>16053BSS</b>		1 m			White
<b>16053SS</b>		1 m			Green
<b>16054BSS</b>	4.1	2 m	S/S	S/S	White
<b>16054SS</b>		2 m	AISI 430F	AISI 304	Green
<b>16055BSS</b>		3 m			White
<b>16055SS</b>		3 m			Green
<b>16033BSS</b>		1 m			White
<b>16033SS</b>		1 m			Green
<b>16034BSS</b>	4.1	2 m	S/S	Zinc plated steel	White
<b>16034SS</b>		2 m	AISI 430F		Green
<b>16035BSS</b>		3 m			White
<b>16035SS</b>		3 m			Green
<b>16053AS</b>		1 m	POM	S/S	Antistatic black
<b>16054AS</b>	3.5	2 m	Antistatic	AISI 304	
<b>16055AS</b>		3 m			
<b>16033AS</b>		1 m	POM	Zinc plated steel	Antistatic black
<b>16034AS</b>	3.5	2 m	Antistatic		
<b>16035AS</b>		3 m			
<b>16053ASS</b>		1 m	S/S	S/S	Antistatic black
<b>16054ASS</b>	4.1	2 m	AISI 430F	AISI 304	
<b>16055ASS</b>		3 m			
<b>16033ASS</b>		1 m	S/S	Zinc plated steel	Antistatic black
<b>16034ASS</b>	4.1	2 m	AISI 430F		
<b>16035ASS</b>		3 m			



Polyamide conductive



Acetal resin conductive



Polyamide



Zinc plated steel



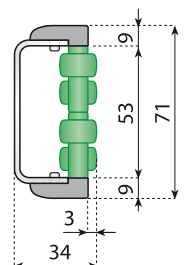
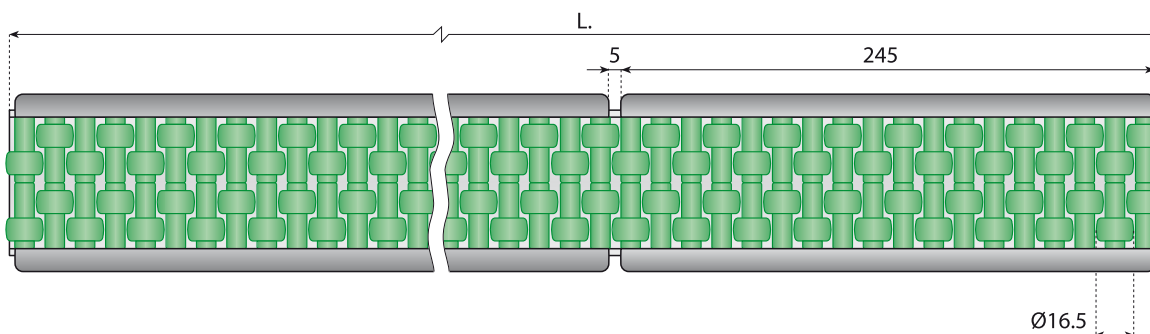
Acetal resin



AISI 430 Stainless steel



AISI 304 Stainless steel



# Accumulation roller side guides

## ACCUMULATION ROLLER SIDE GUIDES - THREE ROLLERS -

**Material:** straps in reinforced polyamide, rollers in acetal resin, screws in stainless steel. Pins and metal profile see the table.

**Supply:** 1m steel profile with 4 roller modules.

2m steel profile with 8 roller modules.

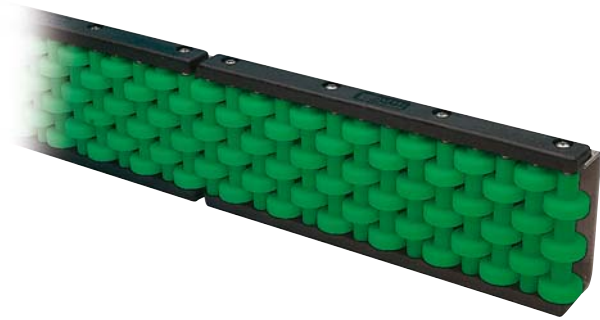
3m steel profile with 12 roller modules.

**Standard packaging:** 2 completely assembled guides.

**Applications:** designed for rugged boxes and containers.

**Note:** each segment can be pulled out without removing pins and rollers.

 Preferred type, readily available (codes marked in red)



Polyamide conductive



Acetal resin conductive



Polyamide



Zinc plated steel



Acetal resin



AISI 430  
Stainless steel








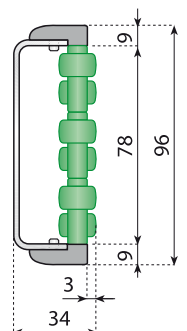
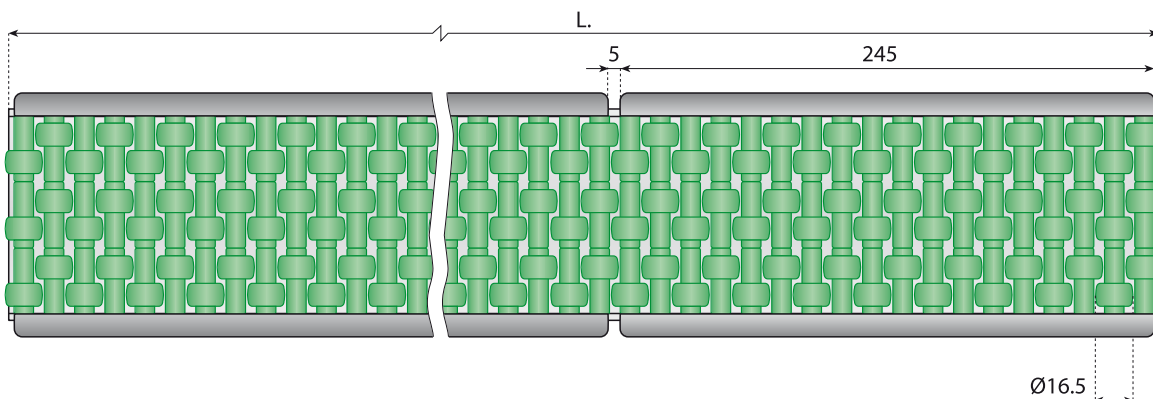
AISI 304  
Stainless steel

### Features:

- Low noise rollers.
- Excellent for accumulation areas.
- Long life and smooth operation.
- Easy and quick installation.

Mini gap

Code					
<b>16056B</b>		1 m			White
<b>16056</b>		1 m			Green
<b>16057B</b>	5.4	2 m	S/S	S/S	White
<b>16057</b>		2 m	AISI 430F	AISI 304	Green
<b>16058B</b>		3 m			White
<b>16058</b>		3 m			Green
<b>16036B</b>		1 m			White
<b>16036</b>		1 m			Green
<b>16037B</b>	5.4	2 m	S/S	Zinc	White
<b>16037</b>		2 m	AISI 430F	plated steel	Green
<b>16038B</b>		3 m			White
<b>16038</b>		3 m			Green
<b>16056AS</b>		1 m			
<b>16057AS</b>	5.4	2 m	S/S	S/S	Black/Antistatic
<b>16058AS</b>		3 m	AISI 430F	AISI 304	
<b>16036AS</b>		1 m			
<b>16037AS</b>	5.4	2 m	S/S	Zinc	Black/Antistatic
<b>16038AS</b>		3 m	AISI 430F	plated steel	



# Accumulation roller side guides

## ACCUMULATION ROLLER SIDE GUIDES - FOUR ROLLERS -

**Material:** straps in reinforced polyamide, rollers in acetal resin, screws in stainless steel. Pins and metal profile see the table.

**Supply:** 1m steel profile with 4 roller modules.  
2m steel profile with 8 roller modules.  
3m steel profile with 12 roller modules.

**Standard packaging:** 2 completely assembled guides.

**Applications:** designed for rugged boxes and containers.

**Note:** each segment can be pulled out without removing pins and rollers.

Preferred type, readily available (codes marked in red)



*Mini gap*

### Features:

- Low noise rollers.
- Excellent for accumulation areas.
- Long life and smooth operation.
- Easy and quick installation.

Code	Kg/m	L	Pins Material	Profile Material	Roller
<b>16059B</b>		1 m			White
<b>16059</b>		1 m			Green
<b>16060B</b>	6.6	2 m	S/S	S/S	White
<b>16060</b>		2 m	AISI 430F	AISI 304	Green
<b>16061B</b>		3 m			White
<b>16061</b>		3 m			Green
<b>16039B</b>		1 m			White
<b>16039</b>		1 m			Green
<b>16040B</b>	6.6	2 m	S/S	Zinc plated steel	White
<b>16040</b>		2 m	AISI 430F		Green
<b>16041B</b>		3 m			White
<b>16041</b>		3 m			Green
<b>16059AS</b>	6.6	1 m	S/S	S/S	Black/Antistatic
<b>16060AS</b>		2 m	AISI 430F	AISI 304	
<b>16061AS</b>		3 m			
<b>16039AS</b>		1 m	S/S	Zinc	Black/Antistatic
<b>16040AS</b>	6.6	2 m	AISI 430F	plated steel	
<b>16041AS</b>		3 m			



Polyamide conductive



Acetal resin conductive



Polyamide



Zinc plated steel



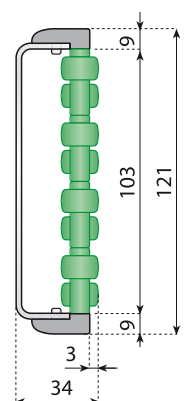
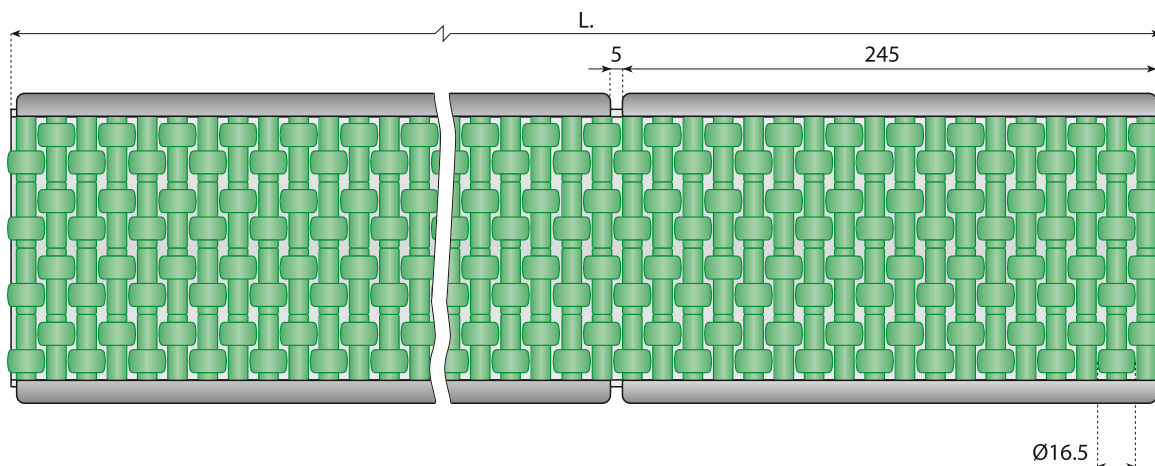
Acetal resin



AISI 430 Stainless steel

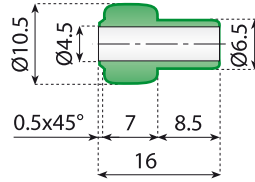


AISI 304 Stainless steel



# Accessories for accumulation roller guide

 Preferred type, readily available (codes marked in red)



ROLLER

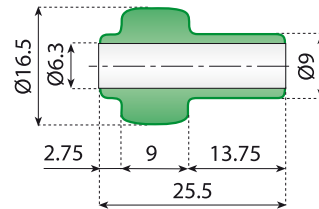
Code
<b>121786</b>
<b>121786B</b>
<b>121786V</b>
<b>121786W</b>
<b>121786AS</b>



n°100

POM

Orange  
White  
Green  
Water blue  
Antistatic black



ROLLER

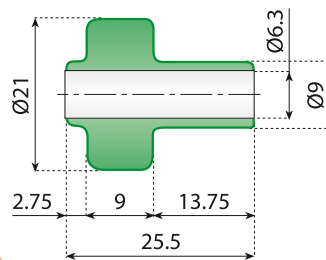
Code
<b>12306</b>
<b>12306B</b>
<b>12306AS</b>



n°100

POM

Green  
White  
Antistatic black



ROLLER

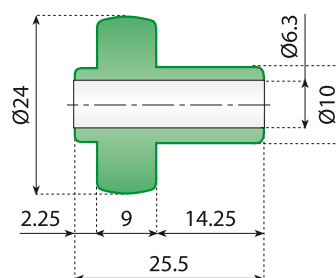
Code
<b>12816</b>
<b>12816B</b>
<b>12816AS</b>



n°100

POM

Green  
White  
Antistatic black



ROLLER

Code
<b>12308</b>
<b>12308G</b>
<b>12308AS</b>



n°100

POM

White  
Green  
Antistatic black

# Accessories for accumulation roller guide

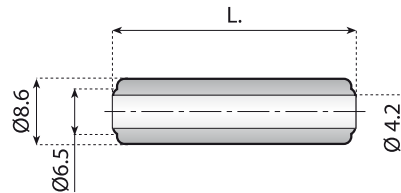
Preferred type, readily available (codes marked in red)



Acetal resin

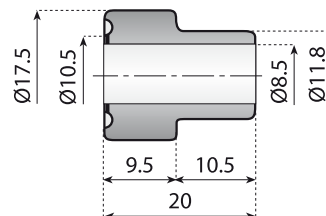


Polyamide



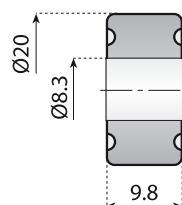
ROLLER

Code			Material	
<b>121790</b>				Orange
<b>121790B</b>	32.5	n°100	POM	White
<b>121790V</b>				Green
<b>121790W</b>				Water blue
<b>121792</b>				Orange
<b>121792B</b>	64.5	n°100	POM	White
<b>121792V</b>				Green
<b>121792W</b>				Water blue



ROLLER

Code		Material	
<b>12301</b>	n°100	POM	Black



ROLLER

Code		Material	
<b>12300</b>	n°100	POM	Black

# Accessories for accumulation roller guide

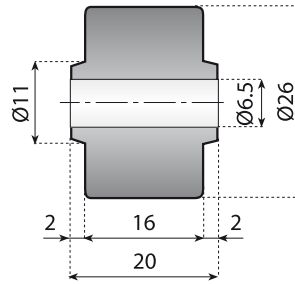
 Preferred type, readily available (codes marked in red)



Acetal resin

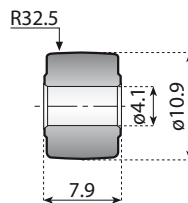


Polyamide



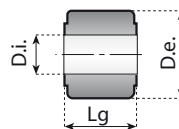
ROLLER

Code		Material	
<b>12818</b>	n°100	PA	Black





ROLLER

Code		Material	
<b>12025</b>	n°100	POM	Black
<b>12025W</b>			Water blue

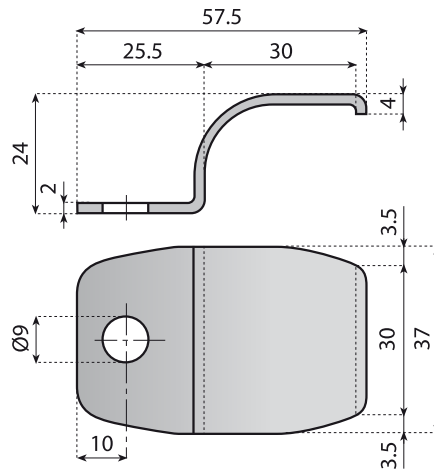


ROLLER

Code	D.e.	D.i.	Lg		Material	
<b>12026</b>	10.9		8.5			Black
<b>12026W</b>	10.9		8.5			Water blue
<b>12027</b>	10.9		9.2			Black
<b>12027W</b>	10.9	5.2	9.2	n°100	POM	Water blue
<b>12028</b>	9.5		9.2			Black
<b>12028W</b>	9.5		9.2			Water blue

# Accessories for accumulation roller guide

Preferred type, readily available (codes marked in red)



AISI 304  
Stainless steel

CLAMP

Code

**13829**

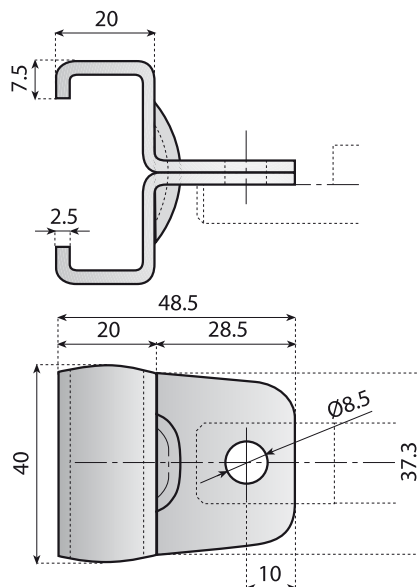
Material

SS AISI 304



n°50

This clamp can be used with all accumulation roller guide LX version example code: 16686LX



CLAMP

Code

**13800**

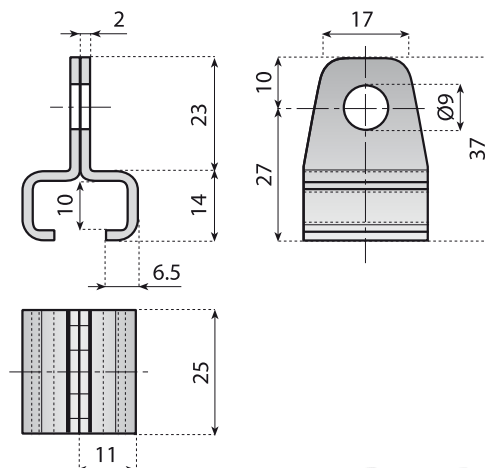
Material

SS AISI 304



n°50

This clamp can be used with all accumulation roller guide codes: 16300 - 16301 - 16302 - 16303



CLAMP

Code

**13833**

Material

SS AISI 304



n°50

This clamp can be used with intermediary roller guide codes: 16150 - 16153 - 16156 - 16160 - 16163 - 16166

# Accessories for accumulation roller guide

 Preferred type, readily available (codes marked in red)



AISI 304  
Stainless steel



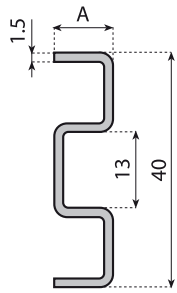
Anodized  
aluminium



Using with



Zinc plated steel

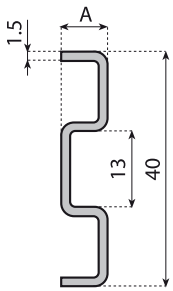


## M-PROFILE

Code	A	Kg/m	L	Material
<b>19079</b>	10	0.82	3 m 6 m	S/S AISI 304
<b>19079L</b>				



These types of profile can be used with codes:  
16610 - 16615 - 16810  
16811 - 18815 - 16816 - 16505

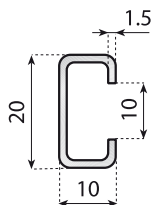


## M-PROFILE

Code	A	Kg/m	L	Material
<b>190265</b>	8	0.74	3 m 6 m	S/S AISI 304
<b>190265L</b>				



These types of profile can be used with codes:  
16700 - 16701 - 16702 - 16703  
16760 - 16761 - 1675016730  
16751 - 16731 - 16850 - 16880  
16851 - 16881 16860 - 16865  
16861 - 16866

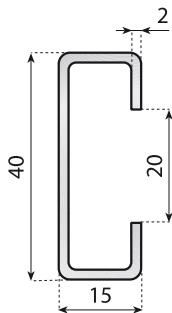


## C-PROFILE

Code	Kg/m	L	Material
<b>16450</b>	0.40	3 m	S/S AISI 304
<b>16449</b>			Zinc plated steel



These types of profile can be used with codes:  
16351 - 16352 - 16353  
165451 - 16452 - 16453

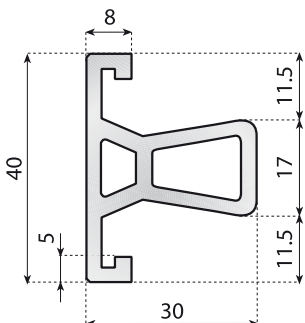


## C-PROFILE

Code	Kg/m	L	Material
<b>16456</b>	1.35	3 m	S/S AISI 304
<b>16457</b>			Zinc plated steel



These types of profile can be used with codes:  
16305

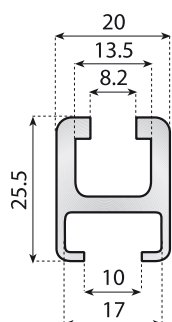


## ALUMINIUM PROFILE

Code	Kg/m	L	Material
<b>19095</b>	1.10	3 m 6 m	Anodized aluminium
<b>19095L</b>			



These types of profile can be used with codes:  
16600 - 16605 - 16800  
16801 - 16805 - 16806 - 16500

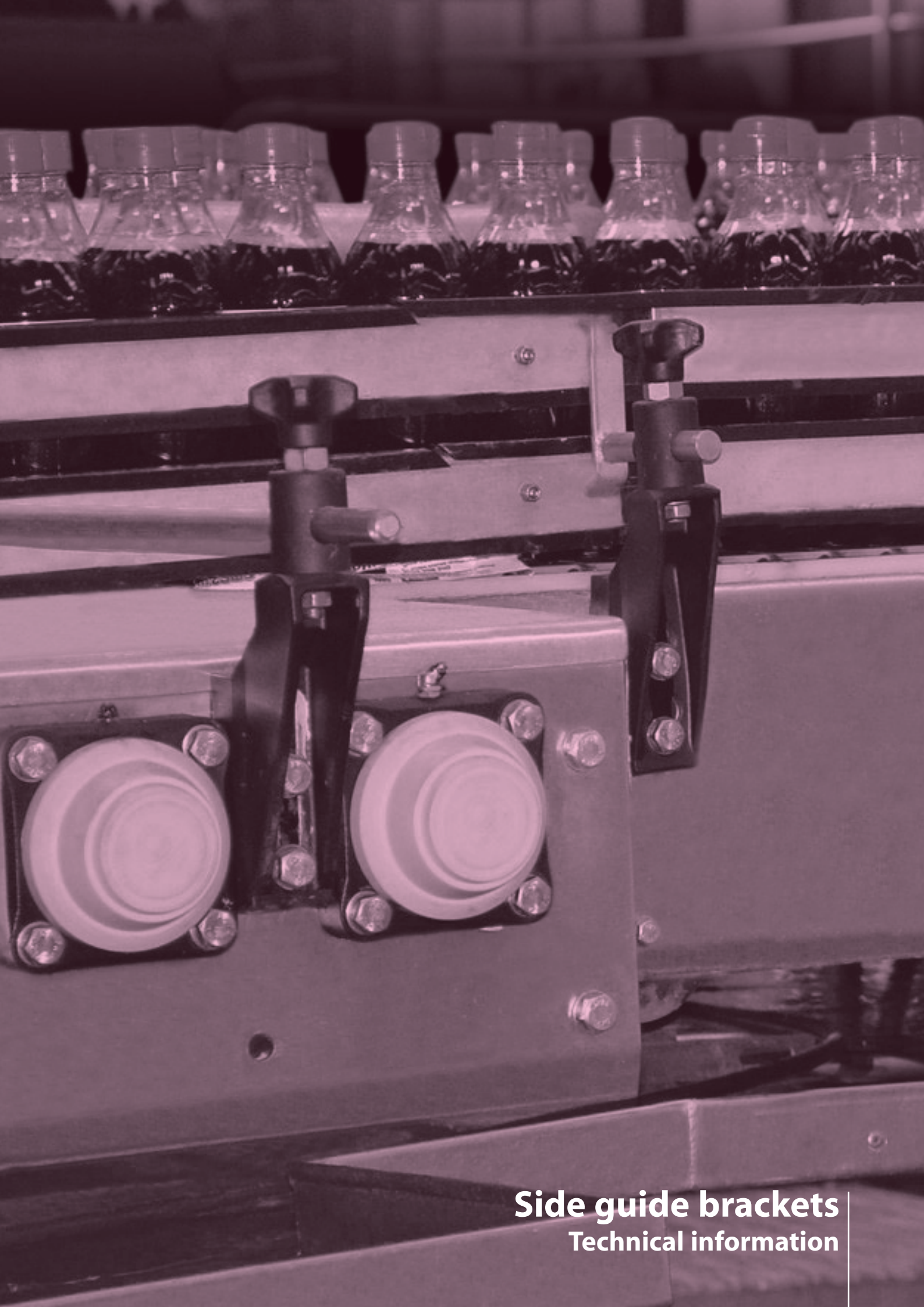


## ALUMINIUM PROFILE

Code	Kg/m	L	Material
<b>19096</b>	0.60	3 m 6 m	Anodized aluminium
<b>19096L</b>			



These types of profile can be used with codes:  
16351 - 16352 - 16353  
16451 - 16452 - 16453

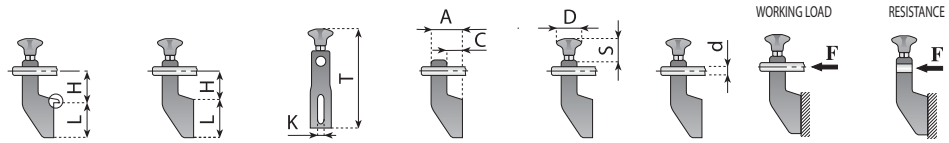


**Side guide brackets**  
Technical information

# Guide for side bracket selection

## Technical information

### SIDE BRACKETS WITH EYEBOLT



CATALOG

Code	L	H	L	H	K	T	A	C	D	S	ROD	N (Newton)	N (Newton)	Page
13692	71	65.5	-	-	9	195	62.5	35	50	45	Ø 12	2000	4000	211
13696	71	65.5	-	-	10.5	195	62.5	35	50	45	Ø 12	2000	4000	211
13853	71	65.5	-	-	9	196	62.5	35	50	42	Ø 12	2000	4000	210
13855	71	65.5	-	-	10.5	196	62.5	35	50	42	Ø 12	2000	4000	210
13858	71	65.5	-	-	9	188	62.5	35	50	34	Ø 12	2000	4000	210
13860	71	65.5	-	-	10.5	188	62.5	35	50	34	Ø 12	2000	4000	210
13863	71	65.5	-	-	9	212	62.5	35	50	58	Ø 12	2000	4000	211
13865	71	65.5	-	-	10.5	212	62.5	35	50	58	Ø 12	2000	4000	211
13632	71	65.5	-	-	9	172	62.5	35	NUT	NUT	Ø 12	2000	4000	210
13634	71	65.5	-	-	10.5	172	62.5	35	NUT	NUT	Ø 12	2000	4000	210
13208	71	65.5	-	-	10.5	198	62.5	35	65	44	Ø 12	2000	4000	211
13268	71	65.5	-	-	9	198	62.5	35	65	44	Ø 12	2000	4000	211
13693	71	65.5	-	-	9	195	62.5	35	50	45	Ø 14	3000	4000	211
13697	71	65.5	-	-	10.5	195	62.5	35	50	45	Ø 14	3000	4000	211
13854	71	65.5	-	-	9	196	62.5	35	50	42	Ø 14	3000	4000	210
13856	71	65.5	-	-	10.5	196	62.5	35	50	42	Ø 14	3000	4000	210
13859	71	65.5	-	-	9	188	62.5	35	50	34	Ø 14	3000	4000	210
13861	71	65.5	-	-	10.5	188	62.5	35	50	34	Ø 14	3000	4000	210
13864	71	65.5	-	-	9	212	62.5	35	50	58	Ø 14	3000	4000	211
13866	71	65.5	-	-	10.5	212	62.5	35	50	58	Ø 14	3000	4000	211
13633	71	65.5	-	-	9	172	62.5	35	NUT	NUT	Ø 14	3000	4000	211
13635	71	65.5	-	-	10.5	172	62.5	35	NUT	NUT	Ø 14	3000	4000	210
13209	71	65.5	-	-	10.5	198	62.5	35	65	44	Ø 14	3000	4000	211
13269	71	65.5	-	-	9	198	62.5	35	65	44	Ø 14	3000	4000	211
13769	71	65.5	-	-	10.5	195	62.5	35	50	45	Ø 14	3000	4000	211
13857	71	65.5	-	-	10.5	196	62.5	35	65	42	Ø 14	3000	4000	210
13862	71	65.5	-	-	10.5	188	62.5	35	65	34	Ø 14	3000	4000	210
13867	71	65.5	-	-	10.5	212	62.5	35	50	58	Ø 16	3000	4000	211
13210	71	65.5	-	-	10.5	198	62.5	35	65	44	Ø 16	3000	4000	211

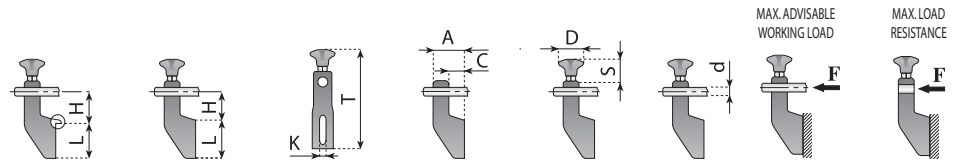


Code	L	H	L	H	K	T	A	C	D	S	ROD	N (Newton)	N (Newton)	Page
13868	-	-	100	64	9	213	60	30	50	34	Ø 12	2200	4500	212
13871	-	-	100	64	10.5	213	60	30	50	34	Ø 12	2200	4500	212
13639	-	-	100	64	9	220	60	30	50	45	Ø 12	2200	4500	212
13641	-	-	100	64	10.5	220	60	30	50	45	Ø 12	2200	4500	212
13213	-	-	100	64	9	237	60	30	50	58	Ø 12	2200	4500	212
13215	-	-	100	64	10.5	237	60	30	50	58	Ø 12	2200	4500	212
13869	-	-	100	64	9	213	60	30	50	34	Ø 14	3200	4500	212
13872	-	-	100	64	10.5	213	60	30	50	34	Ø 14	3200	4500	212
13640	-	-	100	64	9	220	60	30	50	45	Ø 14	3200	4500	212
13642	-	-	100	64	10.5	220	60	30	50	45	Ø 14	3200	4500	212
13214	-	-	100	64	9	237	60	30	50	58	Ø 14	3200	4500	212
13216	-	-	100	64	10.5	237	60	30	50	58	Ø 14	3200	4500	212
13870	-	-	100	64	9	213	60	30	50	34	Ø 16	3400	4500	212
13873	-	-	100	64	10.5	213	60	30	50	34	Ø 16	3400	4500	212
13647	-	-	100	64	9	220	60	30	50	45	Ø 16	3400	4500	212
13648	-	-	100	64	10.5	220	60	30	50	45	Ø 16	3400	4500	212
13227	-	-	100	64	9	237	60	30	50	58	Ø 16	3400	4500	212
13228	-	-	100	64	10.5	237	60	30	50	58	Ø 16	3400	4500	212
13874	98	66	-	-	9	213	60	30	50	34	Ø 12	2200	4500	212
13877	98	66	-	-	10.5	213	60	30	50	34	Ø 12	2200	4500	212
13643	98	66	-	-	9	220	60	30	50	45	Ø 12	2200	4500	212
13645	98	66	-	-	10.5	220	60	30	50	45	Ø 12	2200	4500	212
13217	98	66	-	-	9	237	60	30	50	58	Ø 12	2200	4500	212
13219	98	66	-	-	10.5	237	60	30	50	58	Ø 12	2200	4500	212
13875	98	66	-	-	9	213	60	30	50	34	Ø 14	3200	4500	212
13878	98	66	-	-	10.5	213	60	30	50	34	Ø 14	3200	4500	212
13644	98	66	-	-	9	220	60	30	50	45	Ø 14	3200	4500	212
13646	98	66	-	-	10.5	220	60	30	50	45	Ø 14	3200	4500	212
13218	98	66	-	-	9	237	60	30	50	58	Ø 14	3200	4500	212
13220	98	66	-	-	10.5	237	60	30	50	58	Ø 14	3200	4500	212
13876	98	66	-	-	9	213	60	30	50	34	Ø 16	3400	4500	212
13879	98	66	-	-	10.5	213	60	30	50	34	Ø 16	3400	4500	212
13649	98	66	-	-	9	220	60	30	50	45	Ø 16	3400	4500	212
13650	98	66	-	-	10.5	220	60	30	50	45	Ø 16	3400	4500	212
13229	98	66	-	-	9	237	60	30	50	58	Ø 16	3400	4500	212
13230	98	66	-	-	10.5	237	60	30	50	58	Ø 16	3400	4500	212

# Guide for side bracket selection

## Technical information

### SIDE BRACKETS WITH EYEBOLT



CATALOG

Code	L	H	L	H	K	T	A	C	D	S	ROD	N (Newton)	N (Newton)	Page
13880	-	-	100	87	9	242	79	30	50	34	Ø 12	2000	5000	213
13883	-	-	100	87	10.5	242	79	30	50	34	Ø 12	2000	5000	213
13326	-	-	100	87	9	249	79	30	50	45	Ø 12	2000	5000	213
13332	-	-	100	87	10.5	249	79	30	50	45	Ø 12	2000	5000	213
13221	-	-	100	87	9	268	79	30	50	58	Ø 12	2000	5000	213
13224	-	-	100	87	10.5	268	79	30	50	58	Ø 12	2000	5000	213
13881	-	-	100	87	9	242	79	30	50	34	Ø 14	3000	5000	213
13884	-	-	100	87	10.5	242	79	30	50	34	Ø 14	3000	5000	213
13327	-	-	100	87	9	249	79	30	50	45	Ø 14	3000	5000	213
13333	-	-	100	87	10.5	249	79	30	50	45	Ø 14	3000	5000	213
13222	-	-	100	87	9	268	79	30	50	58	Ø 14	3000	5000	213
13225	-	-	100	87	10.5	268	79	30	50	58	Ø 14	3000	5000	213
13882	-	-	100	87	9	242	79	30	50	34	Ø 16	3200	5000	213
13885	-	-	100	87	10.5	242	79	30	50	34	Ø 16	3200	5000	213
13328	-	-	100	87	9	249	79	30	50	45	Ø 16	3200	5000	213
13334	-	-	100	87	10.5	249	79	30	50	45	Ø 16	3200	5000	213
13223	-	-	100	87	9	268	79	30	50	58	Ø 16	3200	5000	213
13226	-	-	100	87	10.5	268	79	30	50	58	Ø 16	3200	5000	213



Code	L	H	L	H	K	T	A	C	D	S	ROD	N (Newton)	N (Newton)	Page
13211	45	65	-	-	10.5	171	60	30	50	45	Ø 12	2000	3000	209
13212	45	65	-	-	10.5	171	60	30	50	45	Ø 14	2000	3000	209
13764	75	35	-	-	9	164	62	27	50	45	Ø 12	2800	4500	209
13765	75	35	-	-	9	164	62	27	50	45	Ø 14	2800	4500	209
13851	75	35	-	-	9	157	62	27	50	34	Ø 12	2800	4500	209
13852	75	35	-	-	9	157	62	27	50	34	Ø 14	2800	4500	209



Code	L	H	L	H	K	T	A	C	D	S	ROD	N (Newton)	N (Newton)	Page
13895	-	-	112	77	10.5	252	80	30	50	32	Ø 12	2800	14000	224
13896	-	-	112	77	10.5	252	80	30	50	32	Ø 14	3600	14000	224
13897	-	-	112	77	10.5	252	80	30	50	32	Ø 16	3600	14000	224
13050	-	-	112	77	10.5	258	80	30	50	43	Ø 12	2800	14000	224
13051	-	-	112	77	10.5	258	80	30	50	43	Ø 14	3600	14000	224
13052	-	-	112	77	10.5	258	80	30	50	43	Ø 16	3600	14000	224
13205	-	-	102	115	9	286	79	35	50	56	Ø 12	3000	12000	224
13206	-	-	102	115	9	286	79	35	50	56	Ø 14	4000	12000	224
13207	-	-	102	115	9	286	79	35	50	56	Ø 16	4000	12000	224

### BRACKETS WITH ECCENTRIC LEVER

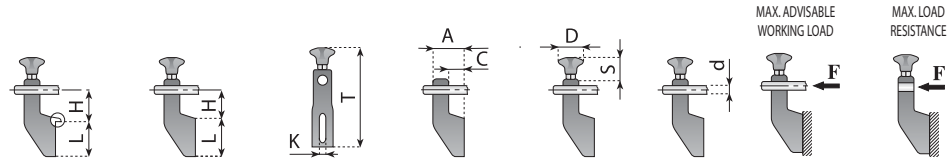


Code	L	H	L	H	K	T	A	C	D	S	ROD	N (Newton)	N (Newton)	Page
13767	-	-	57	85	9	160	62	22	-	18	Ø 12	800	3000	208
13200	-	-	75	85	9	178	62	22	-	18	Ø 12	800	3000	208
13768	-	-	57	85	9	160	62	22	-	18	Ø 14	800	3000	208
13201	-	-	75	85	9	178	62	22	-	18	Ø 14	800	3000	208

Code	L	H	L	H	K	T	A	C	D	S	ROD	N (Newton)	N (Newton)	Page
13760	-	-	150	68	9	240	66	35	-	-	Ø 15	700	2800	208

# Guide for side bracket selection - Technical information

## ADJUSTABLE BRACKETS



CATALOG

Code	L	H	L	H	K	T	A	C	D	S	ROD	N (Newton)	N (Newton)	Page
13271	-	-	109	67	10.5	201	65	27	-	-	Ø 12	2200	7500	216
13272	-	-	109	67	10.5	201	65	27	-	-	Ø 14	3000	7500	216
13273	-	-	109	67	10.5	201	65	27	-	-	Ø 16	3000	7500	216
131055	-	-	109	67	8.5	201	65	27	-	-	Ø 12	2200	7500	216
131056	-	-	109	67	8.5	201	65	27	-	-	Ø 14	3000	7500	216
131057	-	-	109	67	8.5	201	65	27	-	-	Ø 16	3000	7500	216
131030	-	-	109	67	8.5	201	82	44	-	-	Ø 12	2200	7500	214
131031	-	-	109	67	8.5	201	82	44	-	-	Ø 14	3000	7500	214
131032	-	-	109	67	8.5	201	82	44	-	-	Ø 16	3000	7500	214
13021	-	-	109	67	10.5	201	82	44	-	-	Ø 12	2200	7500	214
13088	-	-	109	67	10.5	201	82	44	-	-	Ø 14	3000	7500	214
13089	-	-	109	67	10.5	201	82	44	-	-	Ø 16	3000	7500	214
13530	-	-	100	70	10.5	194	85	43	-	-	Ø 12	2200	7500	218
13531	-	-	100	70	10.5	194	85	43	-	-	Ø 14	3000	7500	218
13532	-	-	100	70	10.5	194	85	43	-	-	Ø 16	3000	7500	218
13041	71	69	-	-	10.5	164	71	31	-	-	Ø 12	2200	8500	222
13042	71	69	-	-	10.5	164	71	31	-	-	Ø 14	3000	8500	222
13043	71	69	-	-	10.5	164	71	31	-	-	Ø 16	3000	8500	222
13580	95	75	-	-	10.5	194	85	43	-	-	Ø 12	2200	7500	220
13581	95	75	-	-	10.5	194	85	43	-	-	Ø 14	3000	7500	220
13582	95	75	-	-	10.5	194	85	43	-	-	Ø 16	3000	7500	220



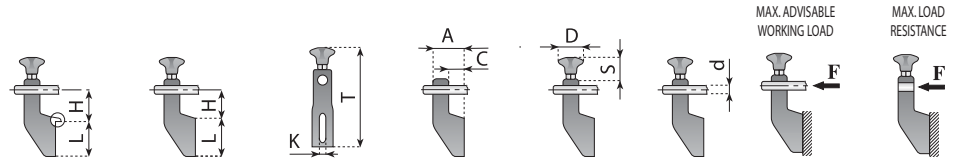
Code	L	H	L	H	K	T	A	C	D	S	ROD	N (Newton)	N (Newton)	Page
13274	-	-	109	85	10.5	218	65	27	-	-	Ø 12	2200	7500	216
13275	-	-	109	85	10.5	218	65	27	-	-	Ø 14	3000	7500	216
13276	-	-	109	85	10.5	218	65	27	-	-	Ø 16	3000	7500	216
131058	-	-	109	85	8.5	218	65	27	-	-	Ø 12	2200	7500	216
131059	-	-	109	85	8.5	218	65	27	-	-	Ø 14	3000	7500	216
131060	-	-	109	85	8.5	218	65	27	-	-	Ø 16	3000	7500	216
131033	-	-	109	85	8.5	218	82	44	-	-	Ø 12	2200	7500	214
131034	-	-	109	85	8.5	218	82	44	-	-	Ø 14	3000	7500	214
131035	-	-	109	85	8.5	218	82	44	-	-	Ø 16	3000	7500	214
13847	-	-	109	85	10.5	218	82	44	-	-	Ø 12	2200	7500	214
13848	-	-	109	85	10.5	218	82	44	-	-	Ø 14	3000	7500	214
13849	-	-	109	85	10.5	218	82	44	-	-	Ø 16	3000	7500	214
13533	-	-	100	87	10.5	212	85	43	-	-	Ø 12	2200	7500	208
13534	-	-	100	87	10.5	212	85	43	-	-	Ø 14	3000	7500	208
13535	-	-	100	87	10.5	212	85	43	-	-	Ø 16	3000	7500	208
13889	71	87	-	-	10.5	182	71	31	-	-	Ø 12	2200	8500	222
13890	71	87	-	-	10.5	182	71	31	-	-	Ø 14	3000	8500	222
13891	71	87	-	-	10.5	182	71	31	-	-	Ø 16	3000	8500	222
13583	95	92.5	-	-	10.5	212	85	43	-	-	Ø 12	2200	7500	220
13584	95	92.5	-	-	10.5	212	85	43	-	-	Ø 14	3000	7500	220
13585	95	92.5	-	-	10.5	212	85	43	-	-	Ø 16	3000	7500	220



Code	L	H	L	H	K	T	A	C	D	S	ROD	N (Newton)	N (Newton)	Page
13277	-	-	109	67	10.5	240	65	27	50	42	Ø 12	2600	7500	217
13278	-	-	109	67	10.5	240	65	27	50	42	Ø 14	3500	7500	217
13279	-	-	109	67	10.5	240	65	27	50	42	Ø 16	3500	7500	217
131061	-	-	109	67	8.5	240	65	27	50	42	Ø 12	2600	7500	217
131062	-	-	109	67	8.5	240	65	27	50	42	Ø 14	3500	7500	217
131063	-	-	109	67	8.5	240	65	27	50	42	Ø 16	3500	7500	217
131036	-	-	109	67	8.5	240	82	44	50	42	Ø 12	2600	7500	215
131037	-	-	109	67	8.5	240	82	44	50	42	Ø 14	3500	7500	215
131038	-	-	109	67	8.5	240	82	44	50	42	Ø 16	3500	7500	215
13054	-	-	109	67	10.5	240	82	44	50	42	Ø 12	2600	7500	215
13055	-	-	109	67	10.5	240	82	44	50	42	Ø 14	3500	7500	215
13056	-	-	109	67	10.5	240	82	44	50	42	Ø 16	3500	7500	215
13536	-	-	100	70	10.5	234	85	43	50	42	Ø 12	2600	7500	219
13537	-	-	100	70	10.5	234	85	43	50	42	Ø 14	3500	7500	219
13538	-	-	100	70	10.5	234	85	43	50	42	Ø 16	3500	7500	219
13044	71	69	-	-	10.5	204	71	31	50	42	Ø 12	2600	8500	223
13045	71	69	-	-	10.5	204	71	31	50	42	Ø 14	3500	8500	223
13046	71	69	-	-	10.5	204	71	31	50	42	Ø 16	3500	8500	223
13586	95	75	-	-	10.5	234	85	43	50	42	Ø 12	2600	7500	221
13587	95	75	-	-	10.5	234	85	43	50	42	Ø 14	3500	7500	221
13588	95	75	-	-	10.5	234	85	43	50	42	Ø 16	3500	7500	221

# Guide for side bracket selection - Technical information

## ADJUSTABLE BRACKETS



CATALOG

Code	L	H	L	H	K	T	A	C	D	S	ROD	N (Newton)	N (Newton)	Page
<b>13280</b>	-	-	109	85	10.5	258	65	27	50	42	Ø 12	2600	7500	217
<b>13281</b>	-	-	109	85	10.5	258	65	27	50	42	Ø 14	3500	7500	217
<b>13282</b>	-	-	109	85	10.5	258	65	27	50	42	Ø 16	3500	7500	217
<b>131064</b>	-	-	109	85	8.5	258	65	27	50	42	Ø 12	2600	7500	217
<b>131065</b>	-	-	109	85	8.5	258	65	27	50	42	Ø 14	3500	7500	217
<b>131066</b>	-	-	109	85	8.5	258	65	27	50	42	Ø 16	3500	7500	217
<b>131039</b>	-	-	109	85	8.5	258	82	44	50	42	Ø 12	2600	7500	215
<b>131040</b>	-	-	109	85	8.5	258	82	44	50	42	Ø 14	3500	7500	215
<b>131041</b>	-	-	109	85	8.5	258	82	44	50	42	Ø 16	3500	7500	215
<b>13886</b>	-	-	109	85	10.5	258	82	44	50	42	Ø 12	2600	7500	215
<b>13887</b>	-	-	109	85	10.5	258	82	44	50	42	Ø 14	3500	7500	215
<b>13888</b>	-	-	109	85	10.5	258	82	44	50	42	Ø 16	3500	7500	215
<b>13539</b>	-	-	100	87	10.5	234	85	43	50	42	Ø 12	2600	7500	219
<b>13540</b>	-	-	100	87	10.5	234	85	43	50	42	Ø 14	3500	7500	219
<b>13541</b>	-	-	100	87	10.5	234	85	43	50	42	Ø 16	3500	7500	219
<b>13892</b>	71	69	-	-	10.5	204	71	31	50	42	Ø 12	2600	8500	223
<b>13893</b>	71	69	-	-	10.5	204	71	31	50	42	Ø 14	3500	8500	223
<b>13894</b>	71	69	-	-	10.5	204	71	31	50	42	Ø 16	3500	8500	223
<b>13589</b>	95	75	-	-	10.5	234	85	43	50	42	Ø 12	2600	7500	221
<b>13590</b>	95	75	-	-	10.5	234	85	43	50	42	Ø 14	3500	7500	221
<b>13591</b>	95	75	-	-	10.5	234	85	43	50	42	Ø 16	3500	7500	221



Code	With knob	With screw	L	H	L	H	K	T	A	C	D	S	ROD	N (Newton)	N (Newton)	Page
<b>131067</b>	<b>131070</b>	-	-	109	69	8.5	235	65	27	50	42	Ø 12	5000	7500	217	
<b>131073</b>	<b>131076</b>	-	-	109	69	8.5	235	65	27	50	42	Ø 12	5000	7500	217	
<b>131068</b>	<b>131071</b>	-	-	109	69	8.5	235	65	27	50	42	Ø 14	6000	7500	217	
<b>131074</b>	<b>131077</b>	-	-	109	69	8.5	235	65	27	50	42	Ø 14	6000	7500	217	
<b>131069</b>	<b>131072</b>	-	-	109	69	8.5	235	65	27	50	42	Ø 16	6000	7500	217	
<b>131075</b>	<b>131078</b>	-	-	109	69	8.5	235	65	27	50	42	Ø 16	6000	7500	217	
<b>13283</b>	<b>13289</b>	-	-	109	69	10.5	235	65	27	50	42	Ø 12	5000	7500	217	
<b>13286</b>	<b>13292</b>	-	-	109	69	10.5	235	65	27	50	42	Ø 12	5000	7500	217	
<b>13284</b>	<b>13290</b>	-	-	109	69	10.5	235	65	27	50	42	Ø 14	6000	7500	217	
<b>13287</b>	<b>13293</b>	-	-	109	69	10.5	235	65	27	50	42	Ø 14	6000	7500	217	
<b>13285</b>	<b>13291</b>	-	-	109	69	10.5	235	65	27	50	42	Ø 16	6000	7500	217	
<b>13288</b>	<b>13294</b>	-	-	109	69	10.5	235	65	27	50	42	Ø 16	6000	7500	217	
<b>131042</b>	<b>131045</b>	-	-	109	69	8.5	235	82	44	50	42	Ø 12	5000	7500	215	
<b>131048</b>	<b>131051</b>	-	-	109	69	8.5	235	82	44	50	42	Ø 12	5000	7500	215	
<b>131043</b>	<b>131046</b>	-	-	109	69	8.5	235	82	44	50	42	Ø 14	6000	7500	215	
<b>131049</b>	<b>131052</b>	-	-	109	69	8.5	235	82	44	50	42	Ø 14	6000	7500	215	
<b>131044</b>	<b>131047</b>	-	-	109	69	8.5	235	82	44	50	42	Ø 16	6000	7500	215	
<b>131050</b>	<b>131053</b>	-	-	109	69	8.5	235	82	44	50	42	Ø 16	6000	7500	215	
<b>13749</b>	<b>13746</b>	-	-	109	69	10.5	235	82	44	50	42	Ø 12	5000	7500	215	
<b>13025</b>	<b>13022</b>	-	-	109	69	10.5	235	82	44	50	42	Ø 12	5000	7500	215	
<b>13750</b>	<b>13747</b>	-	-	109	69	10.5	235	82	44	50	42	Ø 14	6000	7500	215	
<b>13026</b>	<b>13023</b>	-	-	109	69	10.5	235	82	44	50	42	Ø 14	6000	7500	215	
<b>13751</b>	<b>13748</b>	-	-	109	69	10.5	235	82	44	50	42	Ø 16	6000	7500	215	
<b>13027</b>	<b>13024</b>	-	-	109	69	10.5	235	82	44	50	42	Ø 16	6000	7500	215	
<b>13542</b>	-	-	-	100	72	10.5	229	85	43	50	42	Ø 12	5000	7500	219	
<b>13545</b>	-	-	-	100	72	10.5	229	85	43	50	42	Ø 12	5000	7500	219	
<b>13543</b>	-	-	-	100	72	10.5	229	85	43	50	42	Ø 14	6000	7500	219	
<b>13546</b>	-	-	-	100	72	10.5	229	85	43	50	42	Ø 14	6000	7500	219	
<b>13544</b>	-	-	-	100	72	10.5	229	85	43	50	42	Ø 16	6000	7500	219	
<b>13547</b>	-	-	-	100	72	10.5	229	85	43	50	42	Ø 16	6000	7500	219	
<b>13100</b>	-	71	69	-	-	10.5	199	71	31	50	42	Ø 12	5000	8500	223	
<b>13047</b>	-	71	69	-	-	10.5	199	71	31	50	42	Ø 12	5000	8500	223	
<b>13101</b>	-	71	69	-	-	10.5	199	71	31	50	42	Ø 14	6000	8500	223	
<b>13048</b>	-	71	69	-	-	10.5	199	71	31	50	42	Ø 14	6000	8500	223	
<b>13102</b>	-	71	69	-	-	10.5	199	71	31	50	42	Ø 16	6000	8500	223	
<b>13049</b>	-	71	69	-	-	10.5	199	71	31	50	42	Ø 16	6000	8500	223	
<b>13592</b>	-	95	77	-	-	10.5	229	85	43	50	42	Ø 12	5000	7500	221	
<b>13595</b>	-	95	77	-	-	10.5	229	85	43	50	42	Ø 12	5000	7500	221	
<b>13593</b>	-	95	77	-	-	10.5	229	85	43	50	42	Ø 14	6000	7500	221	
<b>13596</b>	-	95	77	-	-	10.5	229	85	43	50	42	Ø 14	6000	7500	221	
<b>13594</b>	-	95	77	-	-	10.5	229	85	43	50	42	Ø 16	6000	7500	221	
<b>13597</b>	-	95	77	-	-	10.5	229	85	43	50	42	Ø 16	6000	7500	221	

# Guide for side bracket selection

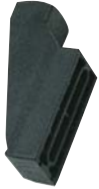
## Technical information

### BRACKETS

MAX. LOAD  
RESISTANCE



CATALOG



Code	Newton	Page
<b>131015</b>	7500	214
<b>13020</b>		



Code	Newton	Page
<b>131054</b>	7500	216
<b>13270</b>		



Code	Newton	Page
<b>13185</b>	7500	218



Code	Newton	Page
<b>13057</b>	9900	226



Code	Newton	Page
<b>13900</b>	14750	226



Code	Newton	Page
<b>13249</b>	6000	225

### BRACKETS

MAX. LOAD  
RESISTANCE



CATALOG



Code	Newton	Page
<b>13040</b>	8500	222



Code	Newton	Page
<b>13186</b>	7500	220



Code	Newton	Page
<b>13898</b>	7500	225



Code	Newton	Page
<b>13930</b>		
<b>13931</b>	9900	226
<b>13932</b>		



Code	Newton	Page
<b>13251</b>	7500	225



**Side guide brackets**

# Side guide brackets

 Preferred type, readily available (codes marked in red)

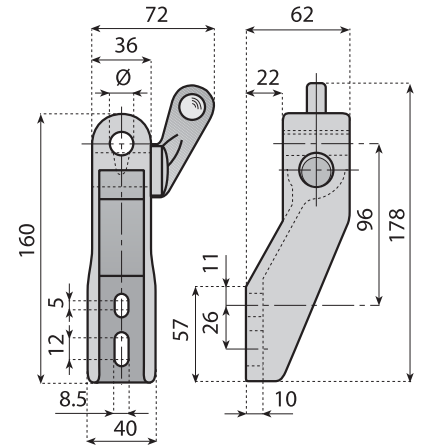


Reinforced polyamide



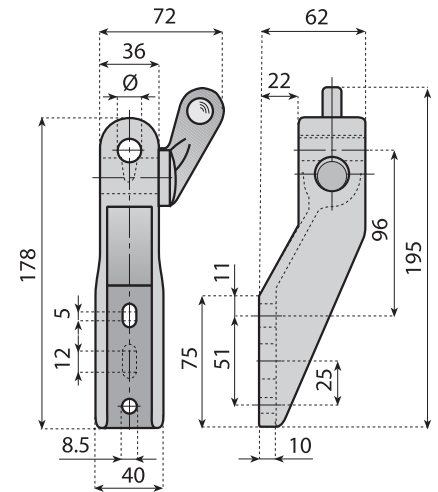
## BRACKET WITH ECCENTRIC LEVER

Code	For rod Ø (mm)	n°50	Material
<b>13767</b>	12		PA-FG
<b>13768</b>	14		PA-FG



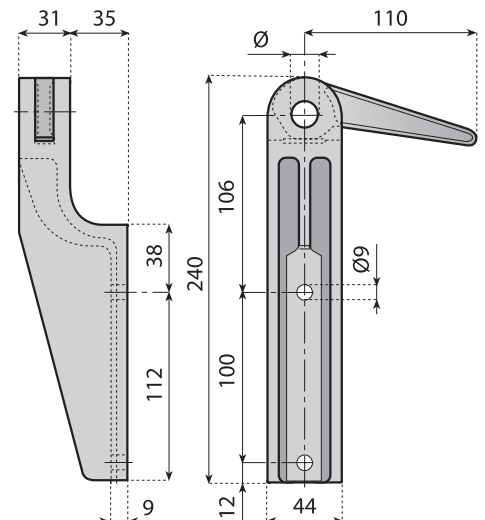
## BRACKET WITH ECCENTRIC LEVER

Code	For rod Ø (mm)	n°50	Material
<b>13200</b>	12		PA-FG
<b>13201</b>	14		PA-FG



## BRACKET WITH ECCENTRIC LEVER

Code	For rod Ø (mm)	n°50	Material
<b>13760</b>	15		PA-FG



# Side guide brackets

Preferred type, readily available (codes marked in red)



AISI 304  
Stainless steel



Nickel plated brass



Reinforced polyamide

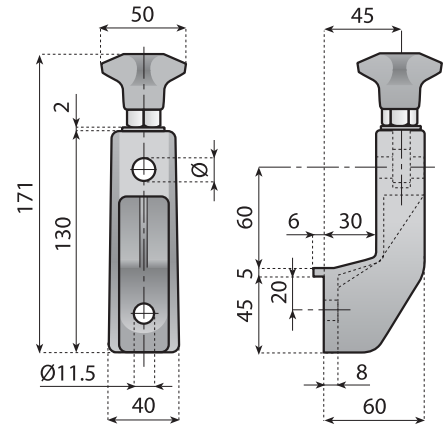


## BRACKET WITH EYEBOLT AND KNOB

**Material:** reinforced polyamide, eyebolt and washer in stainless steel AISI 304, knob in polyamide with nickel plated brass insert.

**Note:** max recommended tightening torque 4 Kgm.

Code	For rod Ø (mm)	
13211	12	n°50
13212	14	

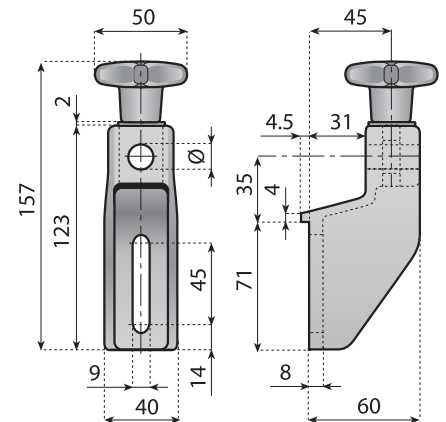


## BRACKET WITH EYEBOLT AND KNOB

**Material:** reinforced polyamide, eyebolt and washer in stainless steel AISI 304, knob in polyamide with nickel plated brass insert.

**Note:** max recommended tightening torque 4 Kgm.

Code	For rod Ø (mm)	
13851	12	n°50
13852	14	

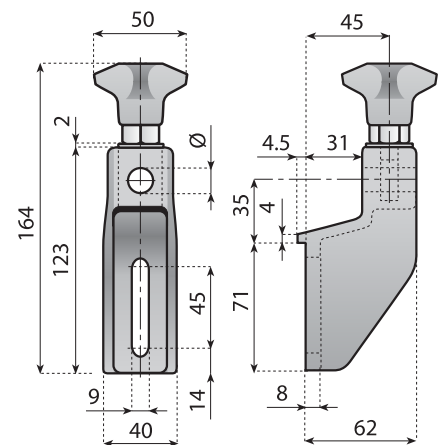


## BRACKET WITH EYEBOLT AND KNOB

**Material:** reinforced polyamide, eyebolt and washer in stainless steel AISI 304, knob in polyamide with nickel plated brass insert.

**Note:** max recommended tightening torque 4 Kgm.

Code	For rod Ø (mm)	
13764	12	n°50
13765	14	



# Side guide brackets

 Preferred type, readily available (codes marked in red)



AISI 304  
Stainless steel



Nickel plated brass



Reinforced polyamide

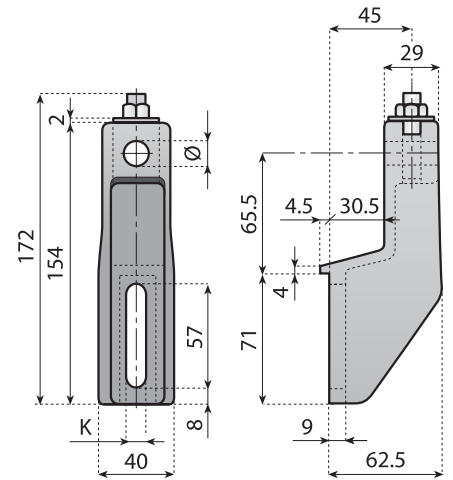


## BRACKET WITH EYEBOLT

**Material:** reinforced polyamide, eyebolt and washer in stainless steel AISI 304, nut in nickel plated brass.

**Note:** max recommended tightening torque 4 Kgm.


Code	For rod Ø (mm)	K	
<b>13632</b>	12	9	n°50
<b>13633</b>	14	9	n°50
<b>13634</b>	12	10.5	n°50
<b>13635</b>	14	10.5	n°50

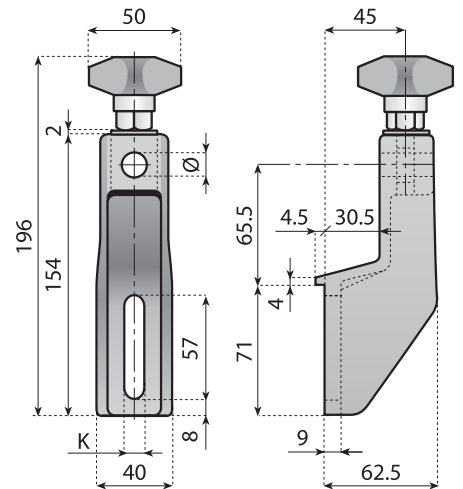


## BRACKET WITH EYEBOLT AND KNOB

**Material:** reinforced polyamide, eyebolt and washer in stainless steel AISI 304, knob in polyamide with nickel plated brass insert.

**Note:** max recommended tightening torque 4 Kgm.


Code	For rod Ø (mm)	K	
<b>13853</b>	12	9	n°50
<b>13854</b>	14	9	n°50
<b>13855</b>	12	10.5	n°50
<b>13856</b>	14	10.5	n°50
<b>13857</b>	16	10.5	n°50

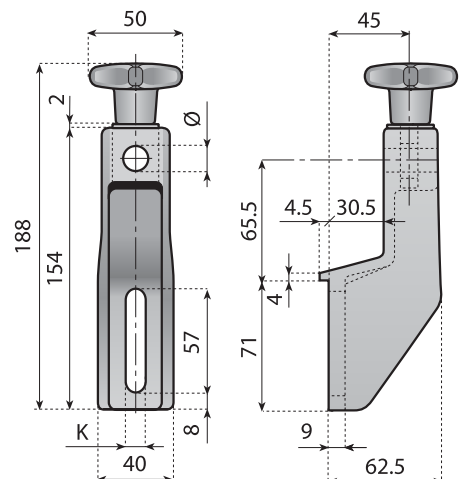


## BRACKET WITH EYEBOLT AND KNOB

**Material:** reinforced polyamide, eyebolt and washer in stainless steel AISI 304, knob in polyamide with nickel plated brass insert.

**Note:** max recommended tightening torque 4 Kgm.

Code	For rod Ø (mm)	K	
<b>13858</b>	12	9	n°50
<b>13859</b>	14	9	n°50
<b>13860</b>	12	10.5	n°50
<b>13861</b>	14	10.5	n°50
<b>13862</b>	16	10.5	n°50



# Side guide brackets

Preferred type, readily available (codes marked in red)



AISI 304  
Stainless steel



Nickel plated brass



Reinforced polyamide

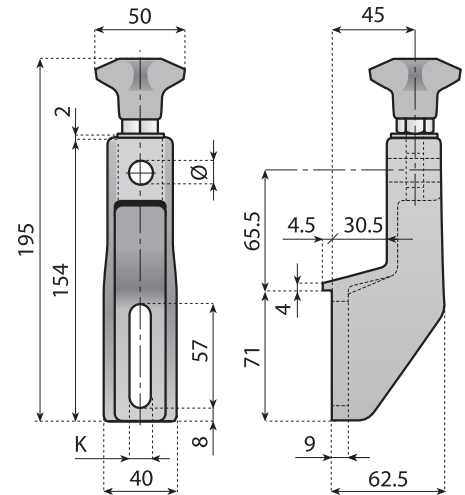


### BRACKET WITH EYEBOLT AND KNOB

**Material:** reinforced polyamide, eyebolt and washer in stainless steel AISI 304, knob in polyamide with nickel plated brass insert.

**Note:** max recommended tightening torque 4 Kgm.

Code	For rod Ø (mm)	K	
<b>13692</b>	12	9	n°50
<b>13693</b>	14	9	n°50
<b>13696</b>	12	10.5	n°50
<b>13697</b>	14	10.5	n°50
<b>13769</b>	16	10.5	n°50

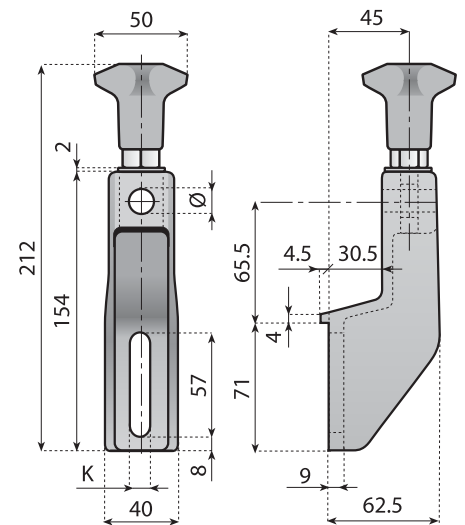


### BRACKET WITH EYEBOLT AND KNOB

**Material:** reinforced polyamide, eyebolt and washer in stainless steel AISI 304, knob in polyamide with nickel plated brass insert.

**Note:** max recommended tightening torque 4 Kgm.

Code	For rod Ø (mm)	K	
<b>13863</b>	12	9	n°50
<b>13864</b>	14	9	n°50
<b>13865</b>	12	10.5	n°50
<b>13866</b>	14	10.5	n°50
<b>13867</b>	16	10.5	n°50

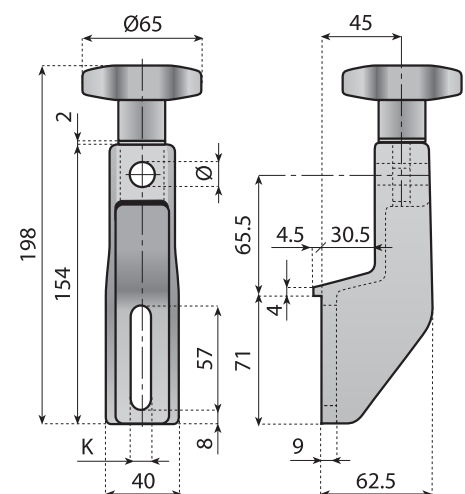


### BRACKET WITH EYEBOLT AND KNOB

**Material:** reinforced polyamide, eyebolt and washer in stainless steel AISI 304, knob in polyamide with nickel plated brass insert.

**Note:** max recommended tightening torque 4 Kgm.

Code	For rod Ø (mm)	K	
<b>13268</b>	12	9	n°50
<b>13269</b>	14	9	n°50
<b>13208</b>	12	10.5	n°50
<b>13209</b>	14	10.5	n°50
<b>13210</b>	16	10.5	n°50



# Side guide brackets

 Preferred type, readily available (codes marked in red)



AISI 304  
Stainless steel



Nickel plated brass




Reinforced polyamide

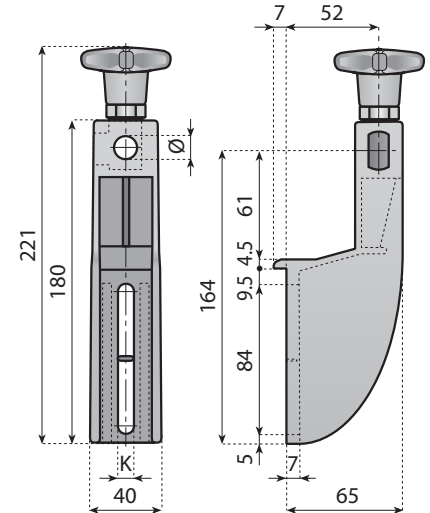
## BRACKET WITH EYEBOLT AND KNOB

**Material:** reinforced polyamide, eyebolt and washer in stainless steel AISI 304, knob in polyamide with nickel plated brass insert.

**Note:** max recommended tightening torque 4 Kgm.



Code	Type	For rod Ø (mm)	K	
<b>13639</b>		12		
<b>13640</b>	Standard	14	9	n°50
<b>13647</b>		16		
<b>13641</b>		12		
<b>13642</b>	Standard	14	10.5	n°50
<b>13648</b>		16		
<b>13643</b>		12		
<b>13644</b>	With tongue	14	9	n°50
<b>13649</b>		16		
<b>13645</b>		12		
<b>13646</b>	With tongue	14	10.5	n°50
<b>13650</b>		16		




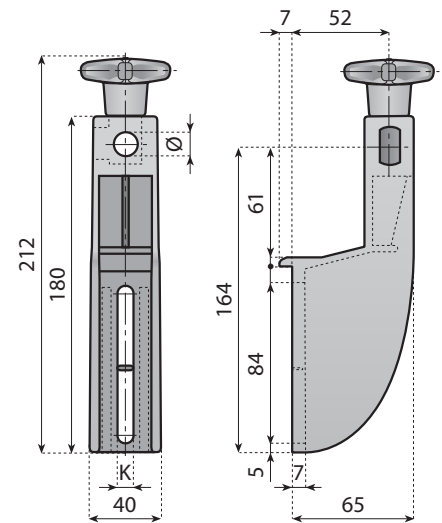
## BRACKET WITH EYEBOLT AND KNOB

**Material:** reinforced polyamide, eyebolt and washer in stainless steel AISI 304, knob in polyamide with nickel plated brass insert.

**Note:** max recommended tightening torque 4 Kgm.



Code	Type	For rod Ø (mm)	K	
<b>13868</b>		12		
<b>13869</b>	Standard	14	9	n°50
<b>13870</b>		16		
<b>13871</b>		12		
<b>13872</b>	Standard	14	10.5	n°50
<b>13873</b>		16		
<b>13874</b>		12		
<b>13875</b>	With tongue	14	9	n°50
<b>13876</b>		16		
<b>13877</b>		12		
<b>13878</b>	With tongue	14	10.5	n°50
<b>13879</b>		16		




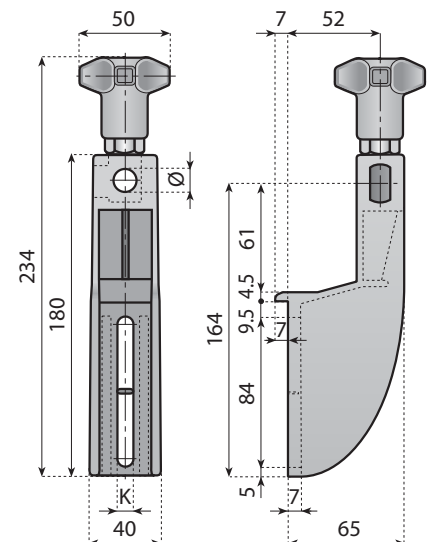
## BRACKET WITH EYEBOLT AND KNOB

**Material:** reinforced polyamide, eyebolt and washer in stainless steel AISI 304, knob in polyamide with nickel plated brass insert.

**Note:** max recommended tightening torque 4 Kgm.



Code	Type	For rod Ø (mm)	K	
<b>13213</b>		12		
<b>13214</b>	Standard	14	9	n°50
<b>13227</b>		16		
<b>13215</b>		12		
<b>13216</b>	Standard	14	10.5	n°50
<b>13228</b>		16		
<b>13217</b>		12		
<b>13218</b>	With tongue	14	9	n°50
<b>13229</b>		16		
<b>13219</b>		12		
<b>13220</b>	With tongue	14	10.5	n°50
<b>13230</b>		16		



# Side guide brackets

Preferred type, readily available (codes marked in red)



AISI 304  
Stainless steel



Nickel plated brass



Reinforced polyamide

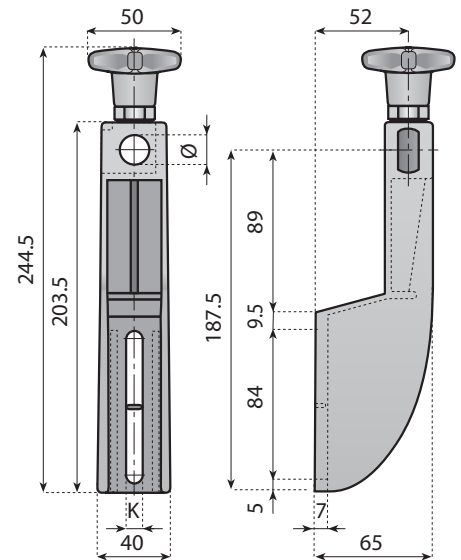


## BRACKET WITH EYEBOLT AND KNOB

**Material:** reinforced polyamide, eyebolt and washer in stainless steel AISI 304, knob in polyamide with nickel plated brass insert.

**Note:** max recommended tightening torque 4 Kgm.

Code	For rod Ø (mm)	K	
13326	12		
13327	14	9	n°50
13328	16		
13332	12		
13333	14	10.5	n°50
13334	16		

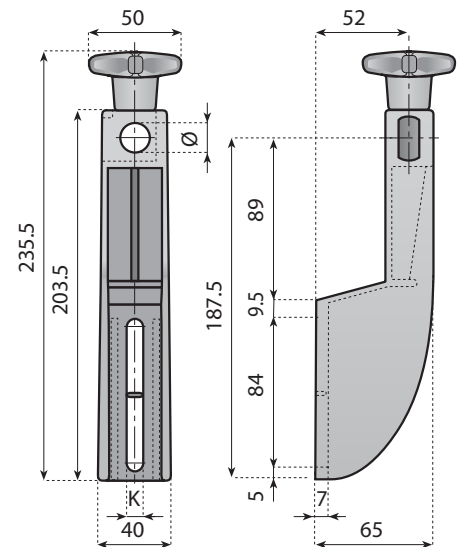


## BRACKET WITH EYEBOLT AND KNOB

**Material:** reinforced polyamide, eyebolt and washer in stainless steel AISI 304, knob in polyamide with nickel plated brass insert.

**Note:** max recommended tightening torque 4 Kgm.

Code	For rod Ø (mm)	K	
13880	12		
13881	14	9	n°50
13882	16		
13883	12		
13884	14	10.5	n°50
13885	16		

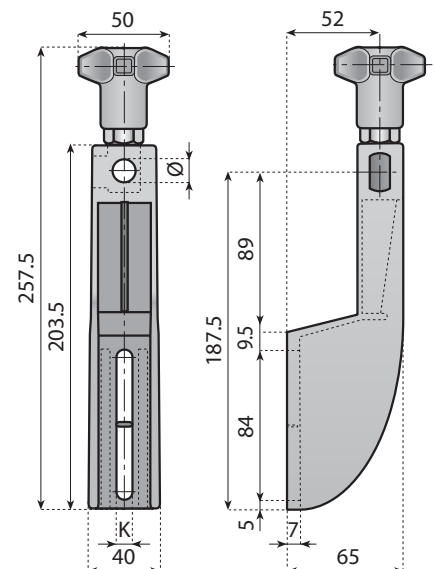


## BRACKET WITH EYEBOLT AND KNOB

**Material:** reinforced polyamide, eyebolt and washer in stainless steel AISI 304, knob in polyamide with nickel plated brass insert.

**Note:** max recommended tightening torque 4 Kgm.

Code	For rod Ø (mm)	K	
13221	12		
13222	14	9	n°50
13223	16		
13224	12		
13225	14	10.5	n°50
13226	16		



# Adjustable brackets

 Preferred type, readily available (codes marked in red)



AISI 304  
Stainless steel




Reinforced  
polyamide

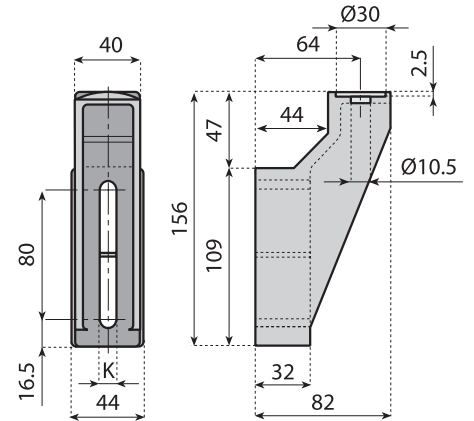


[Accessories](#)



## BRACKET


Code	K		
<b>131015</b>	8.5	n°50	PA-FG
<b>13020</b>	10.5		

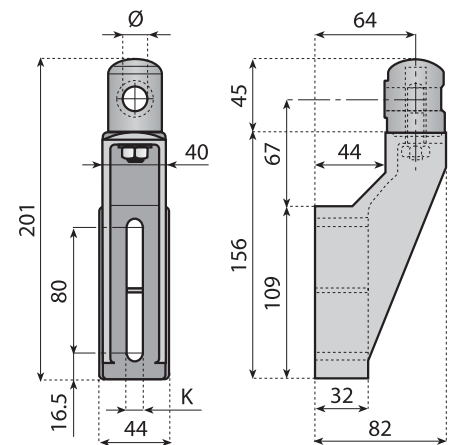


## ADJUSTABLE BRACKET

**Material:** bracket and adjustable head in reinforced polyamide; eyebolt, nut and washer in stainless steel AISI 304.

**Note:** nut regulates rod position and head adjustability. Max recommended tightening torque 4 Kgm.


Code	For rod Ø (mm)	K	
<b>131030</b>	12		
<b>131031</b>	14	8.5	n°50
<b>131032</b>	16		
<b>13021</b>	12		
<b>13088</b>	14	10.5	n°50
<b>13089</b>	16		

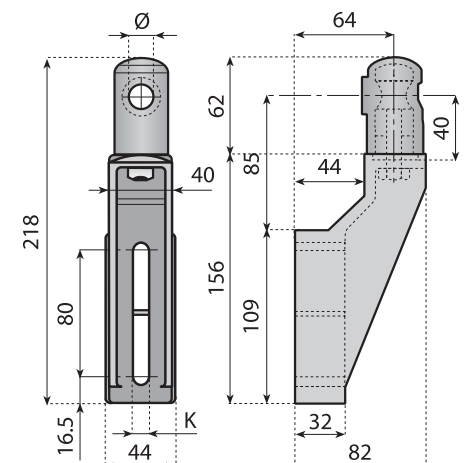


## ADJUSTABLE BRACKET

**Material:** bracket and adjustable head in reinforced polyamide; bolt in nickel plated brass, screw and washer in stainless steel AISI 304.

**Note:** screw regulates rod position and head adjustability. Max recommended tightening torque 4 Kgm.

Code	For rod Ø (mm)	K	
<b>131033</b>	12		
<b>131034</b>	14	8.5	n°50
<b>131035</b>	16		
<b>13847</b>	12		
<b>13848</b>	14	10.5	n°50
<b>13849</b>	16		



# Adjustable brackets

Preferred type, readily available (codes marked in red)



AISI 304  
Stainless steel



Nickel plated brass



Reinforced polyamide



[Accessories](#)

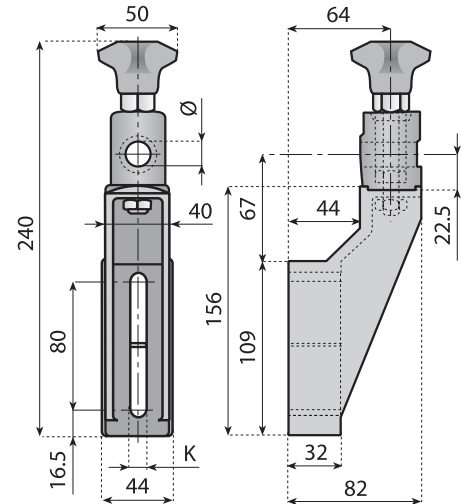
## ADJUSTABLE BRACKET

**Material:** bracket and adjustable head in reinforced polyamide; eyebolt, nut, screws and washer in stainless steel AISI 304; knob in polyamide with nickel plated brass insert.

**Note:** screw regulates rod position and head adjustability. Max recommended tightening torque 4 Kgm.



Code	For rod Ø (mm)	K	
131036	12		
131037	14	8.5	n°50
131038	16		
13054	12		
13055	14	10.5	n°50
13056	16		



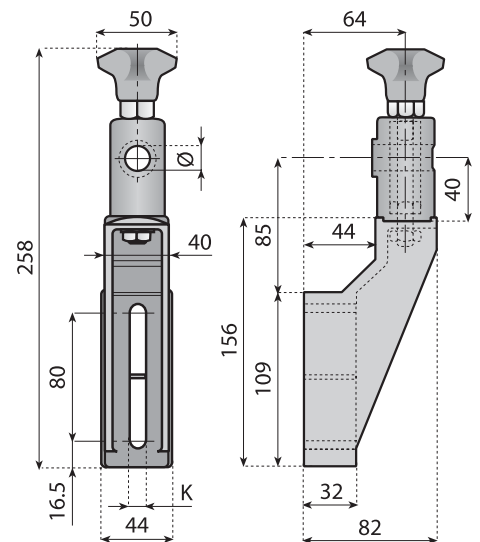
## ADJUSTABLE BRACKET

**Material:** bracket and adjustable head in reinforced polyamide; eyebolt, nut, screws and washer in stainless steel AISI 304; knob in polyamide with nickel plated brass insert.

**Note:** screw regulates rod position and head adjustability. Max recommended tightening torque 4 Kgm.



Code	For rod Ø (mm)	K	
131039	12		
131040	14	8.5	n°50
131041	16		
13886	12		
13887	14	10.5	n°50
13888	16		



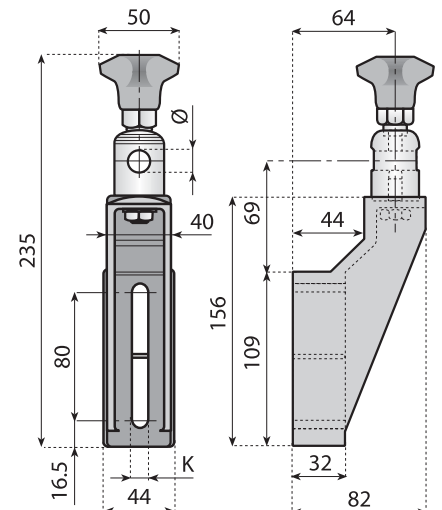
## ADJUSTABLE BRACKET

**Material:** bracket in reinforced polyamide; screw and washer in stainless steel AISI 304; knob in polyamide with nickel plated brass insert.

**Note:** screw regulates rod position and head adjustability. Max recommended tightening torque 4 Kgm.



Code	Code	Head material	For rod Ø (mm)	K	
Version with star knob	Version with screw				
131042	131045	Nickel plated brass	12	8.5	n°50
131043	131046		14		
131044	131047		16		
131048	131051	Stainless steel AISI 304	12	8.5	n°50
131049	131052		14		
131050	131053		16		
13749	13746	Nickel plated brass	12	10.5	n°50
13750	13747		14		
13751	13748		16		
13025	13022	Stainless steel AISI 304	12	10.5	n°50
13026	13023		14		
13027	13024		16		



# Adjustable brackets

 Preferred type, readily available (codes marked in red)



AISI 304  
Stainless steel



Nickel plated brass



Reinforced polyamide

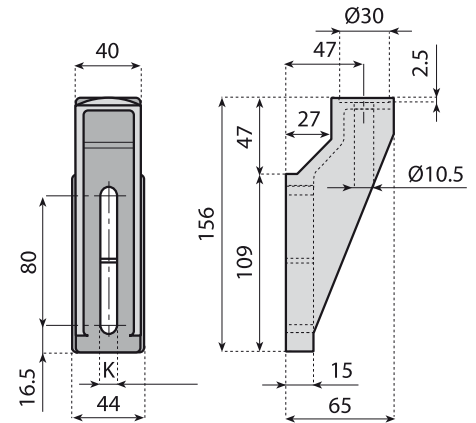


[Accessories](#)



## BRACKET


Code	K		Material
<b>131054</b>	8.5	n°50	PA-FG
<b>13270</b>	10.5		

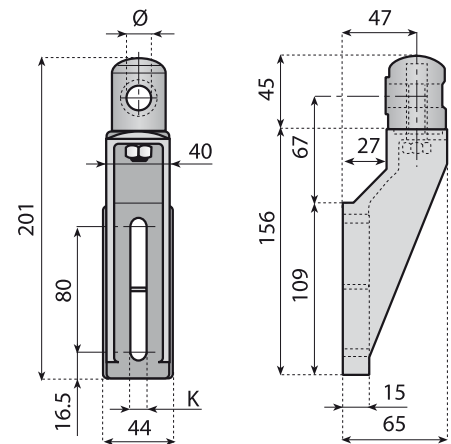


## ADJUSTABLE BRACKET

**Material:** bracket and adjustable head in reinforced polyamide; eyebolt, nut and washer in stainless steel AISI 304.

**Note:** nut regulates rod position and head adjustability. Max recommended tightening torque 4 Kgm.


Code	For rod Ø (mm)	K	
<b>131055</b>	12		
<b>131056</b>	14	8.5	n°50
<b>131057</b>	16		
<b>13271</b>	12		
<b>13272</b>	14	10.5	n°50
<b>13273</b>	16		

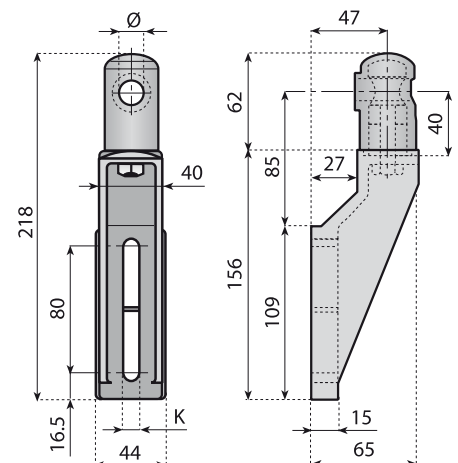


## ADJUSTABLE BRACKET

**Material:** bracket and adjustable head in reinforced polyamide; bolt in nickel plated brass, screw and washer in stainless steel AISI 304.

**Note:** screw regulates rod position and head adjustability. Max recommended tightening torque 4 Kgm.

Code	For rod Ø (mm)	K	
<b>131058</b>	12		
<b>131059</b>	14	8.5	n°50
<b>131060</b>	16		
<b>13274</b>	12		
<b>13275</b>	14	10.5	n°50
<b>13276</b>	16		



# Adjustable brackets

Preferred type, readily available (codes marked in red)



AISI 304  
Stainless steel



Nickel plated brass



Reinforced polyamide



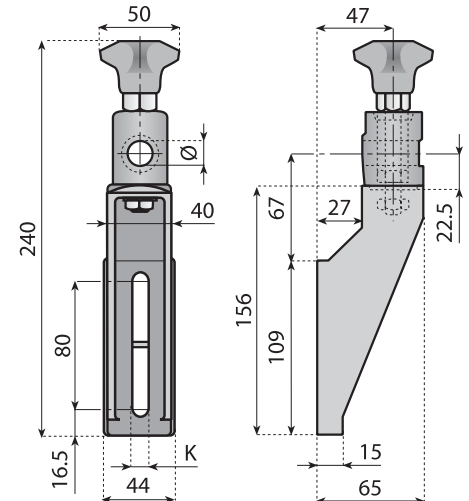
Accessories

## ADJUSTABLE BRACKET

**Material:** bracket and adjustable head in reinforced polyamide; eyebolt, nut, screws and washer in stainless steel; knob in polyamide with nickel plated brass insert.  
**Note:** screw regulates rod position and head adjustability. Max recommended tightening torque 4 Kgm.



Code	For rod Ø (mm)	K	
131061	12		
131062	14	8.5	n°50
131063	16		
13277	12		
13278	14	10.5	n°50
13279	16		

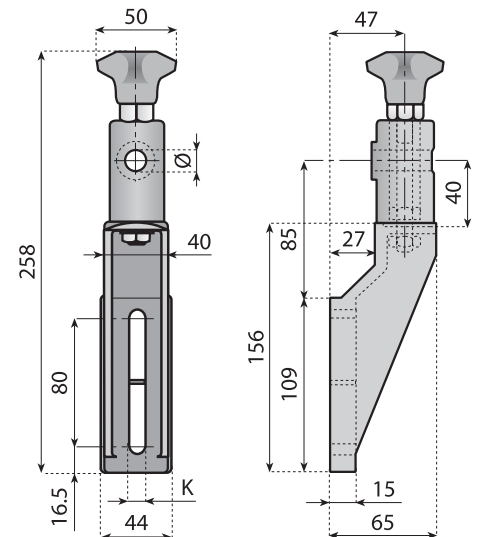


## ADJUSTABLE BRACKET

**Material:** bracket and adjustable head in reinforced polyamide; eyebolt, nut, screws and washer in stainless steel AISI 304; knob in polyamide with nickel plated brass insert.  
**Note:** screw regulates rod position and head adjustability. Max recommended tightening torque 4 Kgm.



Code	For rod Ø (mm)	K	
131064	12		
131065	14	8.5	n°50
131066	16		
13280	12		
13281	14	10.5	n°50
13282	16		

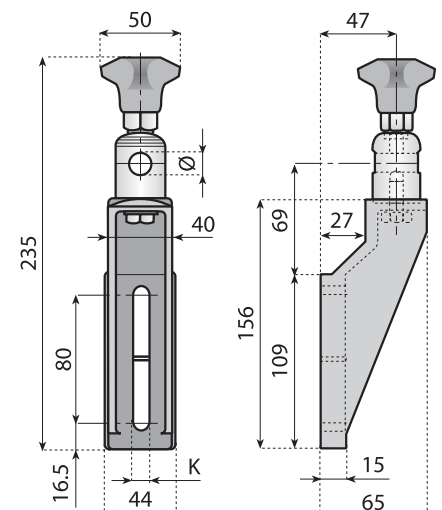


## ADJUSTABLE BRACKET

**Material:** bracket in reinforced polyamide; screw and washer in stainless steel AISI 304; knob in polyamide with nickel plated brass insert.  
**Note:** screw regulates rod position and head adjustability. Max recommended tightening torque 4 Kgm.



Code	Code	Head material	For rod Ø (mm)	K	
Version with star knob	Version with screw				
131067	131070	Nickel plated brass	12		
131068	131071		14	8.5	n°50
131069	131072		16		
131073	131076	Stainless steel	12		
131074	131077		14	8.5	n°50
131075	131078		AISI 304	16	
13283	13289	Nickel plated brass	12		
13284	13290		14	10.5	n°50
13285	13291		16		
13286	13292	Stainless steel	12		
13287	13293		14	10.5	n°50
13288	13294		AISI 304	16	



# Adjustable brackets

 Preferred type, readily available (codes marked in red)



AISI 304  
Stainless steel



Nickel plated brass



Reinforced polyamide



[250→262](#)  
[Accessories](#)



## BRACKET

Code

**13185**

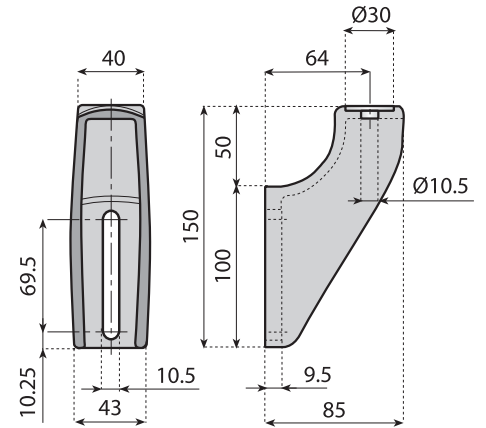


n°50



Material

PA-FG



## ADJUSTABLE BRACKET

**Material:** bracket and adjustable head in reinforced polyamide; eyebolt, nut and washer in stainless steel AISI 304.

**Note:** nut regulates rod position and head adjustability. Max recommended tightening torque 4 Kgm.

Code

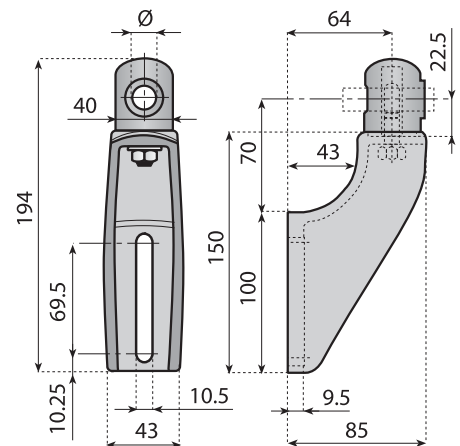
**13530**  
**13531**  
**13532**



12  
14  
16



n°50



## ADJUSTABLE BRACKET

**Material:** bracket and adjustable head in reinforced polyamide; bolt in nickel plated brass, screw and washer in stainless steel AISI 304.

**Note:** screw regulates rod position and head adjustability. Max recommended tightening torque 4 Kgm.

Code

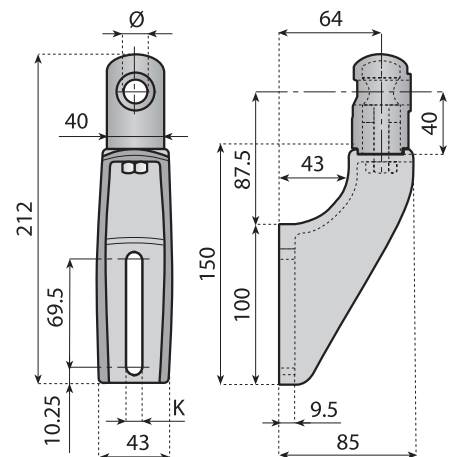
**13533**  
**13534**  
**13535**



12  
14  
16



n°50



# Adjustable brackets

Preferred type, readily available (codes marked in red)



AISI 304  
Stainless steel



Nickel plated brass



Reinforced polyamide



[250→262](#)  
[Accessories](#)

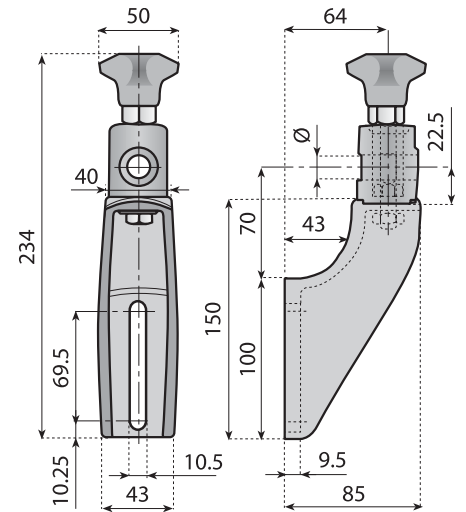


## ADJUSTABLE BRACKET

**Material:** bracket and adjustable head in reinforced polyamide; eyebolt, nut, screws and washer in stainless steel AISI 304; knob in polyamide with nickel plated brass insert.

**Note:** screw regulates rod position and head adjustability. Max recommended tightening torque 4 Kgm.

Code	For rod Ø (mm)	
<b>13536</b>	12	
<b>13537</b>	14	n°50
<b>13538</b>	16	

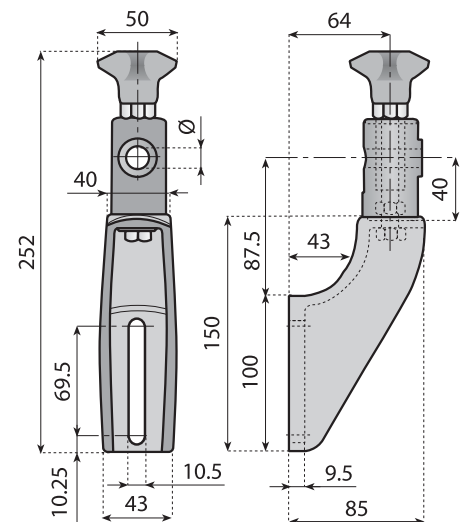


## ADJUSTABLE BRACKET

**Material:** bracket and adjustable head in reinforced polyamide; eyebolt, nut, screws and washer in stainless steel AISI 304; knob in polyamide with nickel plated brass insert.

**Note:** screw regulates rod position and head adjustability. Max recommended tightening torque 4 Kgm.

Code	For rod Ø (mm)	
<b>13539</b>	12	
<b>13540</b>	14	n°50
<b>13541</b>	16	

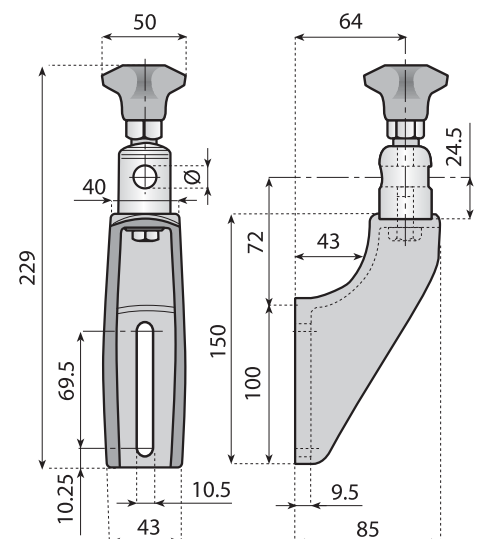


## ADJUSTABLE BRACKET

**Material:** bracket in reinforced polyamide; screw and washer in stainless steel AISI 304; knob in polyamide with nickel plated brass insert.

**Note:** screw regulates rod position and head adjustability. Max recommended tightening torque 4 Kgm.

Code	Head material	For rod Ø (mm)	
<b>13542</b>	Nickel	12	
<b>13543</b>	plated brass	14	n°50
<b>13544</b>		16	
<b>13545</b>	Stainless steel	12	
<b>13546</b>	AISI 304	14	n°50
<b>13547</b>		16	



# Adjustable brackets

 Preferred type, readily available (codes marked in red)

**SS 304**  
AISI 304  
Stainless steel

**NPB**  
Nickel plated brass

**PA FG**  
Reinforced polyamide

  
250 → 262  
[Accessories](#)



## BRACKET WITH TONGUE

Code

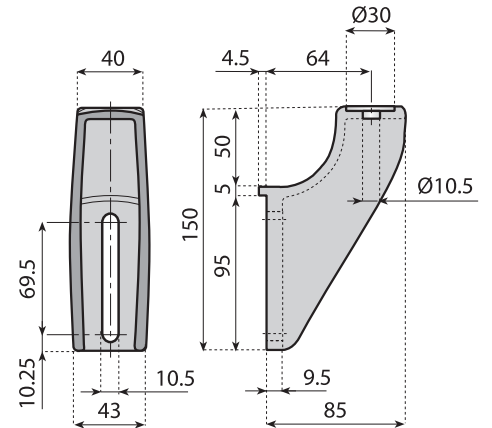
**13186**



n°50



PA-FG



## ADJUSTABLE BRACKET

**Material:** bracket and adjustable head in reinforced polyamide; eyebolt, nut and washer in stainless steel AISI 304.

**Note:** nut regulates rod position and head adjustability. Max recommended tightening torque 4 Kgm.

Code

**13580**

**13581**

**13582**



For rod  
Ø (mm)

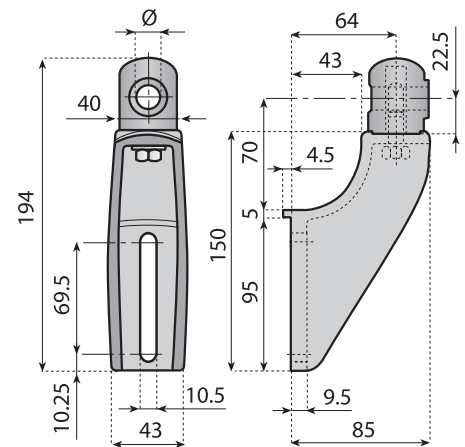
12

14

16



n°50



## ADJUSTABLE BRACKET

**Material:** bracket and adjustable head in reinforced polyamide; bolt in nickel plated brass, screw and washer in stainless steel AISI 304.

**Note:** screw regulates rod position and head adjustability. Max recommended tightening torque 4 Kgm.

Code

**13583**

**13584**

**13585**



For rod  
Ø (mm)

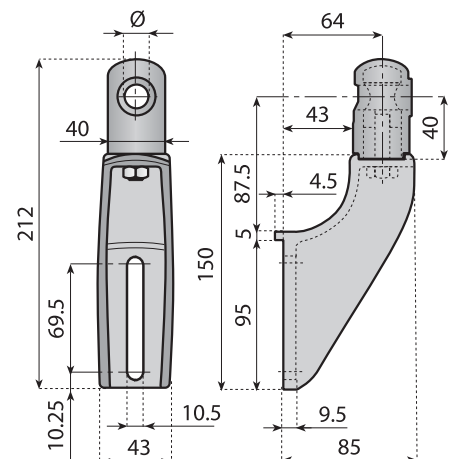
12

14

16



n°50



# Adjustable brackets

Preferred type, readily available (codes marked in red)



AISI 304  
Stainless steel



Nickel plated brass



Reinforced polyamide



[Accessories](#)

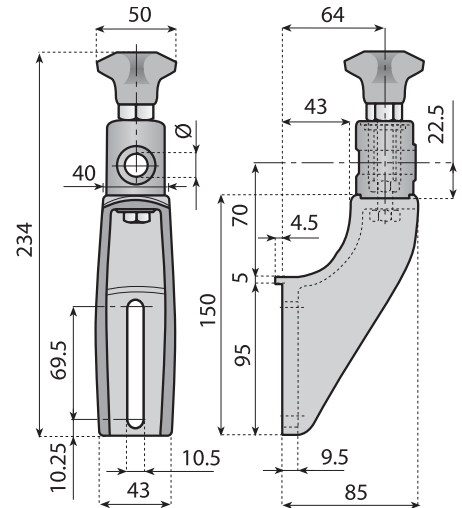


## ADJUSTABLE BRACKET

**Material:** bracket and adjustable head in reinforced polyamide; eyebolt, nut, screws and washer in stainless steel AISI 304; knob in polyamide with nickel plated brass insert.

**Note:** screw regulates rod position and head adjustability. Max recommended tightening torque 4 Kgm.

Code	For rod Ø (mm)	
<b>13586</b>	12	
<b>13587</b>	14	n°50
<b>13588</b>	16	

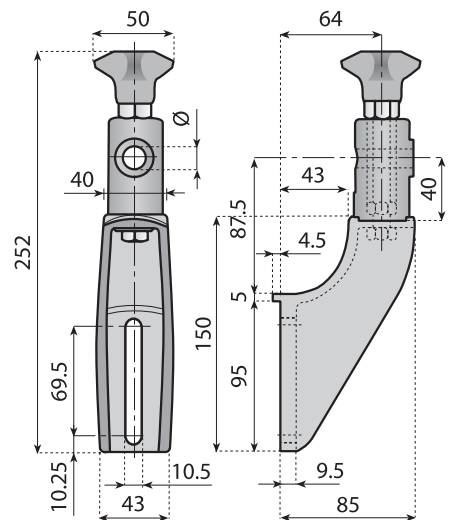


## ADJUSTABLE BRACKET

**Material:** bracket and adjustable head in reinforced polyamide; eyebolt, nut, screws and washer in stainless steel AISI 304; knob in polyamide with nickel plated brass insert.

**Note:** screw regulates rod position and head adjustability. Max recommended tightening torque 4 Kgm.

Code	For rod Ø (mm)	
<b>13589</b>	12	
<b>13590</b>	14	n°50
<b>13591</b>	16	

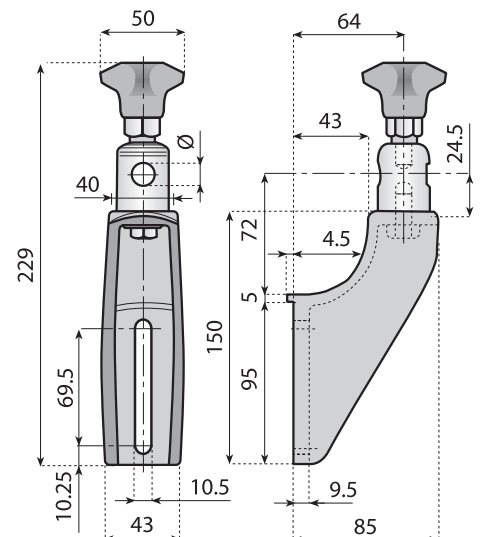


## ADJUSTABLE BRACKET

**Material:** bracket in reinforced polyamide; screw and washer in stainless steel AISI 304; knob in polyamide with nickel plated brass insert.

**Note:** screw regulates rod position and head adjustability. Max recommended tightening torque 4 Kgm.

Code	Head material	For rod Ø (mm)	
<b>13592</b>	Nickel	12	
<b>13593</b>	plated brass	14	n°50
<b>13594</b>		16	
<b>13595</b>	Stainless steel	12	
<b>13596</b>	AISI 304	14	n°50
<b>13597</b>		16	



# Adjustable brackets

 Preferred type, readily available (codes marked in red)



AISI 304  
Stainless steel



Nickel plated brass



Reinforced  
polyamide



[Accessories](#)



## BRACKET

Code

**13040**

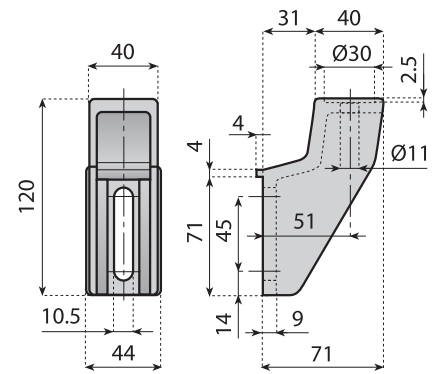


n°50



Material

PA-FG



## ADJUSTABLE BRACKET

**Material:** bracket and adjustable head in reinforced polyamide; eyebolt, nut and washer in stainless steel AISI 304.

**Note:** nut regulates rod position and head adjustability. Max recommended tightening torque 4 Kgm.

Code

**13041**



12

**13042**

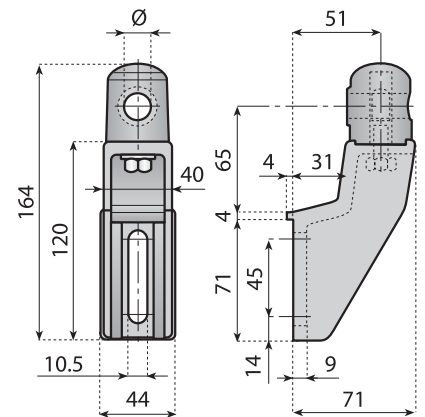
14



n°50

**13043**

16



## ADJUSTABLE BRACKET

**Material:** bracket and adjustable head in reinforced polyamide; threaded insert in nickel plated brass, screw and washer in stainless steel AISI 304.

**Note:** screw regulates rod position and head adjustability. Max recommended tightening torque 4 Kgm.

Code

**13889**



12

**13890**

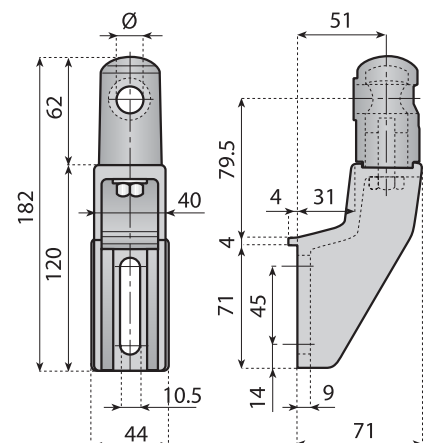
14



n°50

**13891**

16



# Adjustable brackets

Preferred type, readily available (codes marked in red)



AISI 304  
Stainless steel



Nickel plated brass



Reinforced polyamide



[Accessories](#)

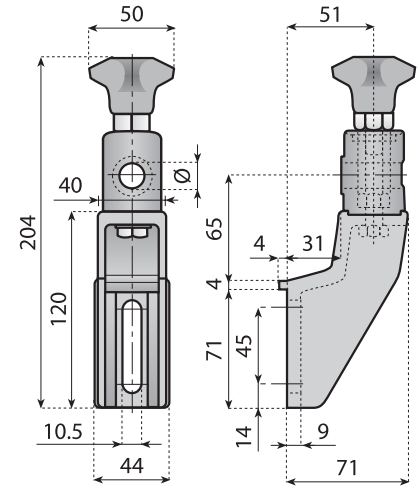


## ADJUSTABLE BRACKET

**Material:** bracket and adjustable head in reinforced polyamide; eyebolt, nut, screws and washer in stainless steel AISI 304; knob in polyamide with nickel plated brass insert.

**Note:** screw regulates rod position and head adjustability. Max recommended tightening torque 4 Kgm.

Code	For rod Ø (mm)	
<b>13044</b>	12	
<b>13045</b>	14	n°50
<b>13046</b>	16	

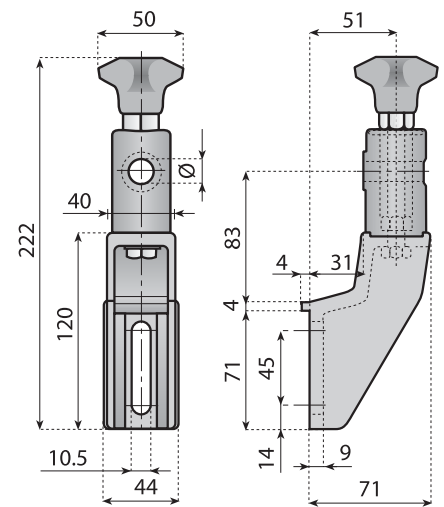


## ADJUSTABLE BRACKET

**Material:** bracket and adjustable head in reinforced polyamide; eyebolt, nut, screws and washer in stainless steel AISI 304; knob in polyamide with nickel plated brass insert.

**Note:** screw regulates rod position and head adjustability. Max recommended tightening torque 4 Kgm.

Code	For rod Ø (mm)	
<b>13892</b>	12	
<b>13893</b>	14	n°50
<b>13894</b>	16	

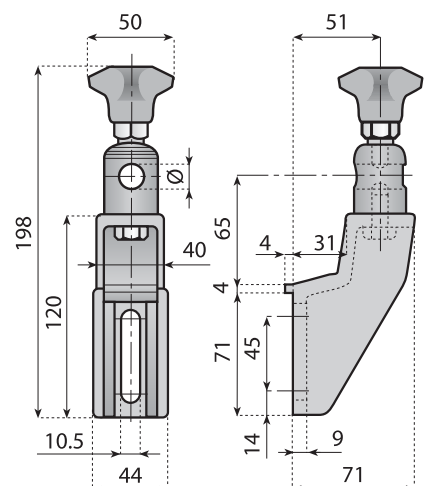


## ADJUSTABLE BRACKET

**Material:** bracket in reinforced polyamide; screw and washer in stainless steel AISI 304; knob in polyamide with nickel plated brass insert.

**Note:** screw regulates rod position and head adjustability. Max recommended tightening torque 4 Kgm.

Code	Head material	For rod Ø (mm)	
<b>13100</b>	Nickel	12	
<b>13101</b>	plated brass	14	n°50
<b>13102</b>		16	
<b>13047</b>	Stainless steel	12	
<b>13048</b>	AISI 304	14	n°50
<b>13049</b>		16	



# Side guide brackets

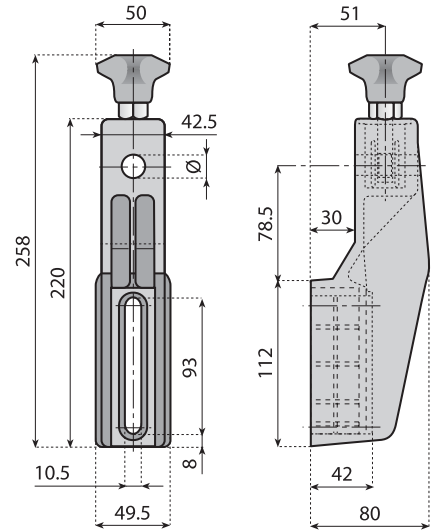
 Preferred type, readily available (codes marked in red)



## EXTRA-BRACKET

**Material:** bracket in reinforced polyamide; eyebolt, and washer in stainless steel AISI 304; knob in polyamide with nickel plated brass insert.  
**Note:** max recommended tightening torque 4 Kgm.

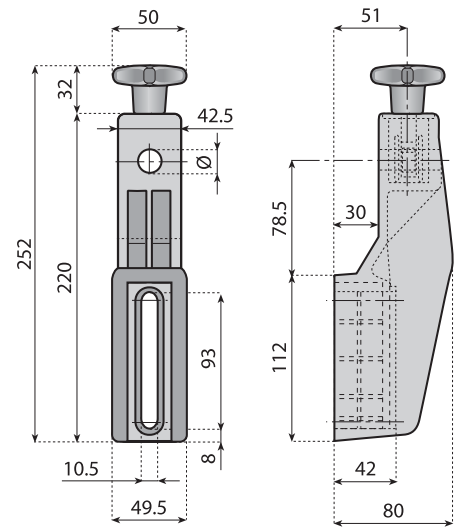
Code	For rod Ø (mm)	
<b>13050</b>	12	
<b>13051</b>	14	n°25
<b>13052</b>	16	



## EXTRA-BRACKET

**Material:** bracket in reinforced polyamide; eyebolt, and washer in stainless steel AISI 304; knob in polyamide with nickel plated brass insert.  
**Note:** max recommended tightening torque 4 Kgm.

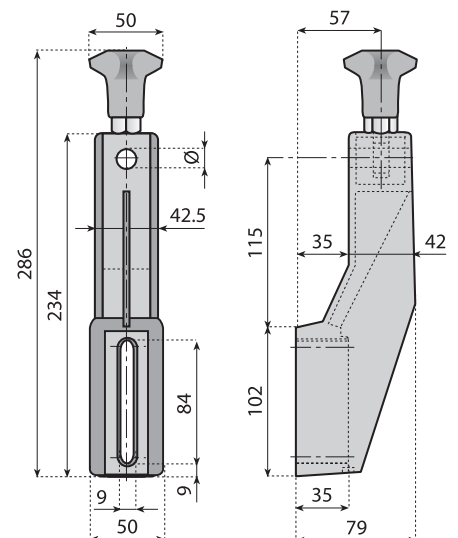
Code	For rod Ø (mm)	
<b>13895</b>	12	
<b>13896</b>	14	n°25
<b>13897</b>	16	



## EXTRA-BRACKET

**Material:** bracket in reinforced polyamide; eyebolt, and washer in stainless steel AISI 304; knob in polyamide with nickel plated brass insert.  
**Note:** max recommended tightening torque 4 Kgm.

Code	For rod Ø (mm)	
<b>13205</b>	12	
<b>13206</b>	14	n°25
<b>13207</b>	16	



# Side guide brackets

Preferred type, readily available (codes marked in red)



AISI 304  
Stainless steel



Reinforced  
polyamide



## SIDE BRACKET FOR HORIZONTAL TUBES

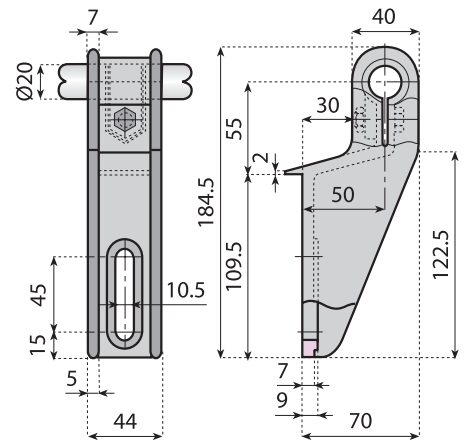
**Material:** bracket in reinforced polyamide, nut, screws and washers in stainless steel AISI 304.

Code

**13898**



n°50



## SIDE BRACKET

Code

**13251**

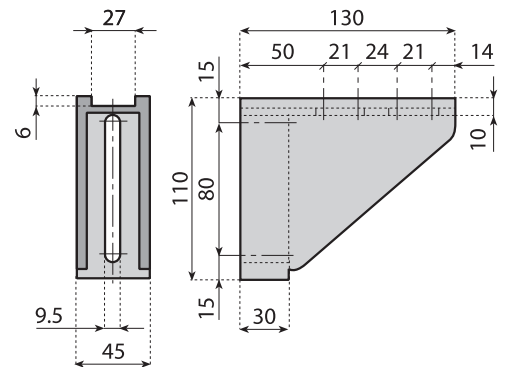


n°50



Material

PA-FG



## SIDE BRACKET

Code

**13249**

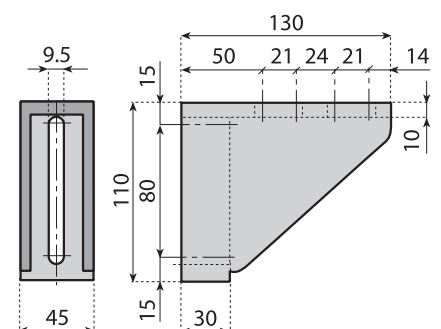


n°50



Material

PA-FG



# Side brackets



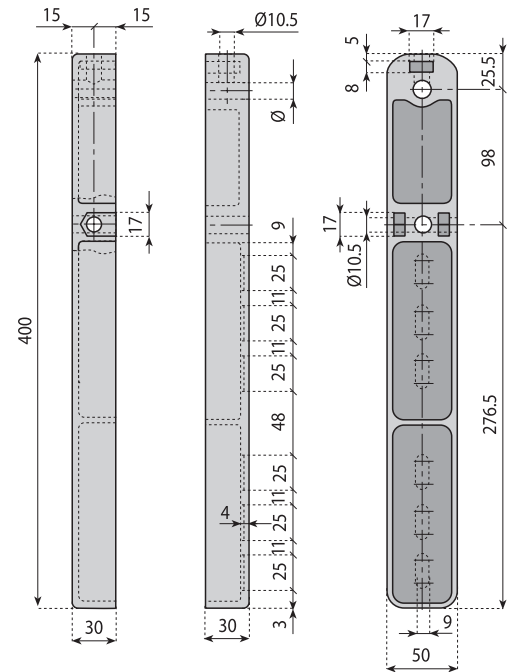
Reinforced polyamide



## SIDE BRACKET

**Application:** air conveyors for PET bottles.

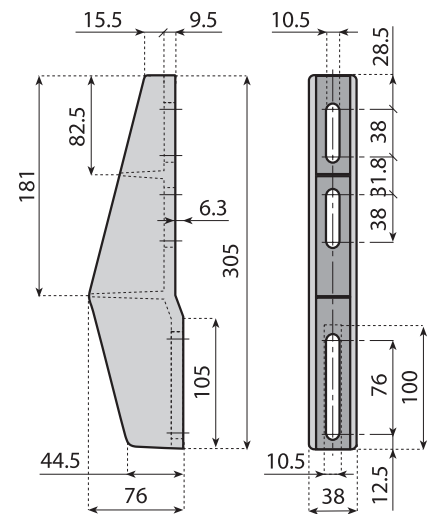
Code	For rod Ø (mm)		Material
13930	12		PA-FG
13931	14	n°50	PA-FG
13932	16		PA-FG



## FIXED BRACKET

**Application:** conveyors with fixed guides.

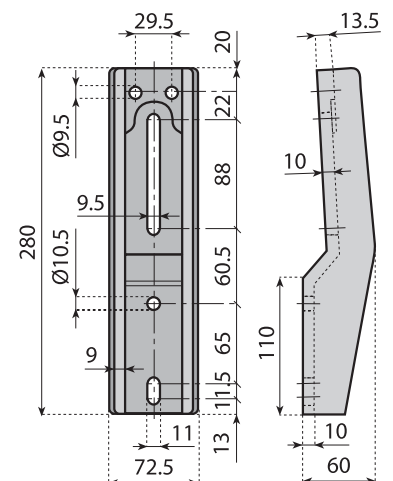
Code		Material
13057	n°50	PA-FG



## FIXED BRACKET

**Application:** conveyor frames.

Code		Material
13900	n°50	PA-FG



# Side brackets in stainless steel

Preferred type, readily available (codes marked in red)



AISI 304  
Stainless steel



[Accessories](#)



SIDE BRACKET

Code

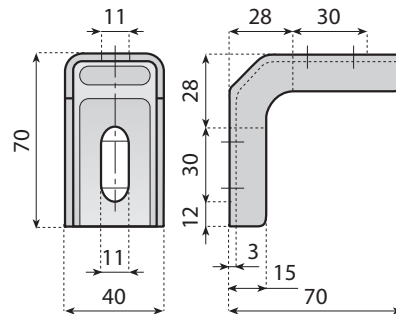
**13804**



n°50



SS  
AISI 304



SIDE BRACKET

Code

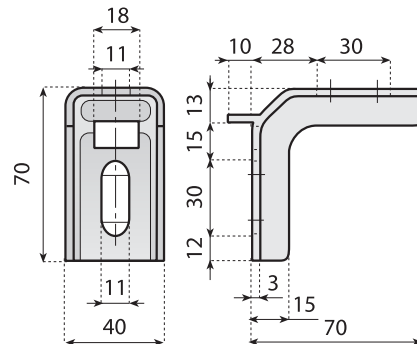
**13803**



n°50



SS  
AISI 304



SIDE BRACKET

Code

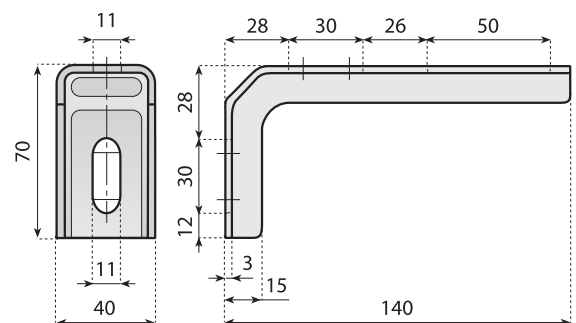
**13802**



n°50



SS  
AISI 304



SIDE BRACKET

Code

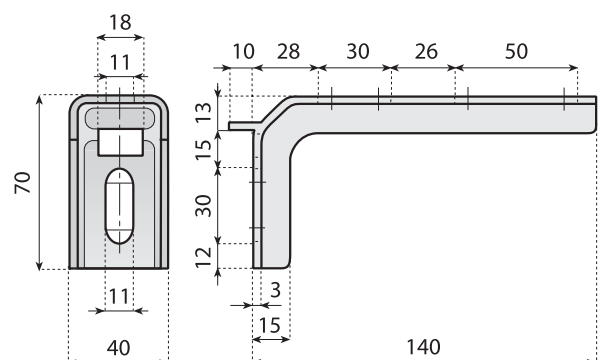
**13801**




n°50



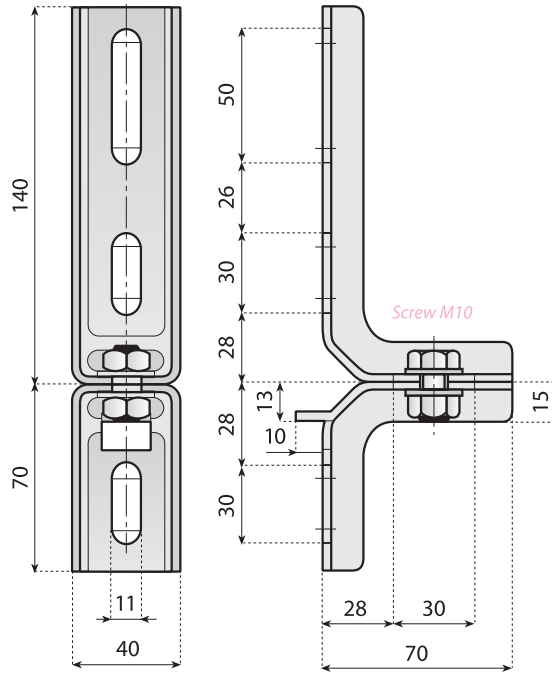
SS  
AISI 304



# Side brackets in stainless steel

 Preferred type, readily available  
(codes marked in red)

**SS  
304**  
AISI 304  
Stainless steel



## SIDE BRACKET

**Thickness:**  $S = 3$  mm.  
**Surface:** tumbling finish.

Code

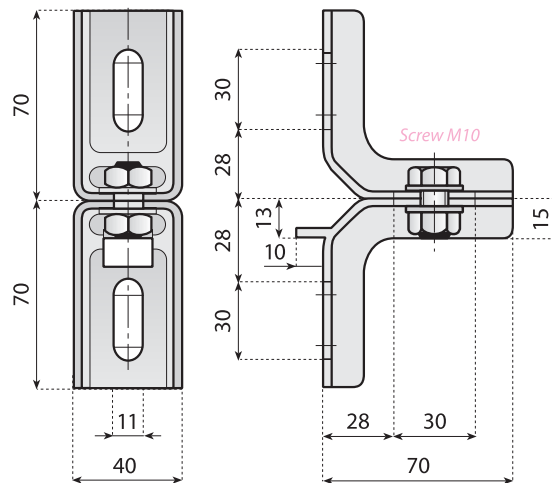
**13805**



n°25



SS  
AISI 304



## SIDE BRACKET

**Thickness:**  $S = 3$  mm.  
**Surface:** tumbling finish.

Code

**13806**

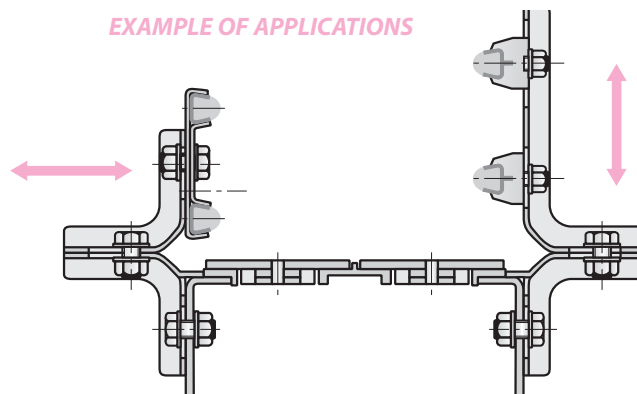


n°25



SS  
AISI 304

## EXAMPLE OF APPLICATIONS



# Stainless steel components



AISI 304  
Stainless steel



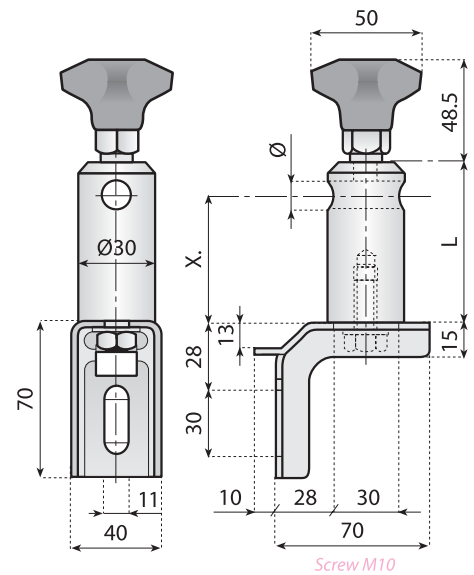
Nickel plated brass



Polyamide



Accessories



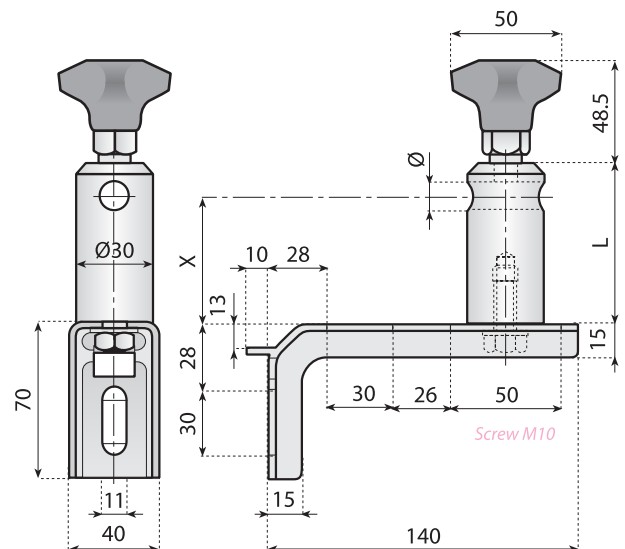
Screw M10

### Code

Bracket standard	Bracket with tongue	For rod Ø (mm)		X	L
13815W	13815			40	55
13818W	13818	12	n°25	60	75
13821W	13821			90	105
13824W	13824			130	145
13816W	13816			40	56
13819W	13819	14	n°25	60	76
13822W	13822			90	106
13825W	13825			130	146
13817W	13817			40	57
13820W	13820	16	n°25	60	77
13823W	13823			90	107
13826W	13826			130	147

### SIDE BRACKET WITH ADJUSTABLE HEAD

**Material:** bracket, head and bolts in stainless steel AISI 304. Knob in polyamide with hexagonal bushing in nickel plated brass.



Screw M10

### Code

Bracket standard	Bracket with tongue	For rod Ø (mm)		X	L
131100W	131100			40	55
131101W	131101	12	n°25	60	75
131102W	131102			90	105
131103W	131103			130	145
131104W	131104			40	56
131105W	131105	14	n°25	60	76
131106W	131106			90	106
131107W	131107			130	146
131108W	131108			40	57
131109W	131109	16	n°25	60	77
131110W	131110			90	107
131111W	131111			130	147

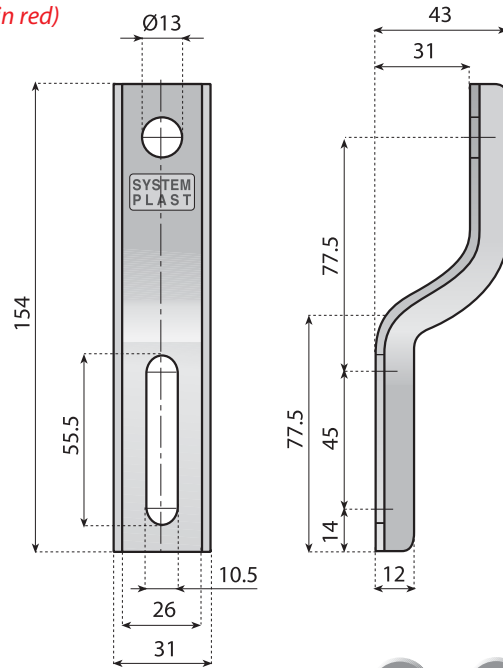
### SIDE BRACKET WITH ADJUSTABLE HEAD

**Material:** bracket, head and bolts in stainless steel AISI 304. Knob in polyamide with hexagonal bushing in nickel plated brass.

# Side brackets in stainless steel

**SS 304**  
AISI 304  
Stainless steel

 Preferred type, readily available (codes marked in red)



## FIXED BRACKET

**Thickness:**  $S = 2.5$  mm.  
**Surface:** tumbling finish.  
**Use:** support for side guides.

Code

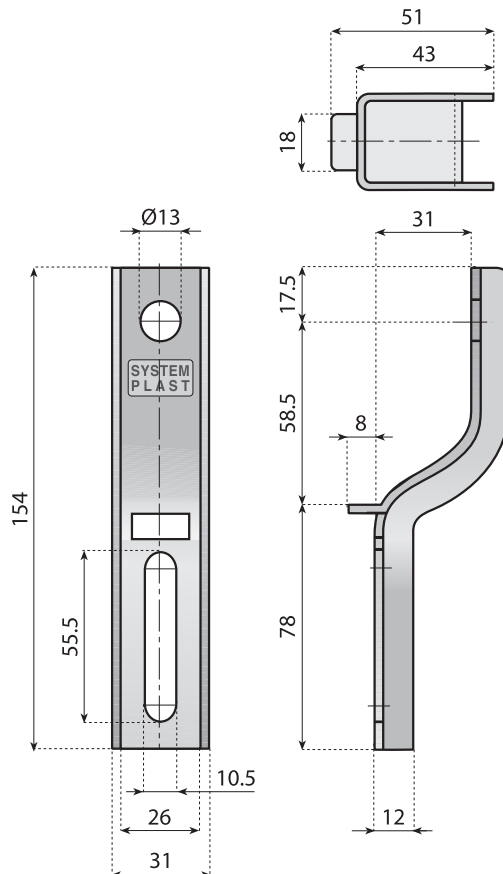
**13809**



n°50



SS  
AISI 304



## FIXED BRACKET

**Thickness:**  $S = 2.5$  mm.  
**Surface:** tumbling finish.  
**Use:** support for side guides.

Code

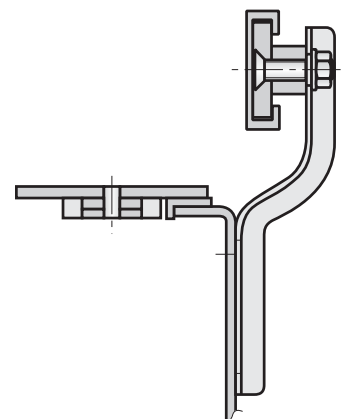
**13831**



n°50



SS  
AISI 304



# Stainless steel guide rail brackets

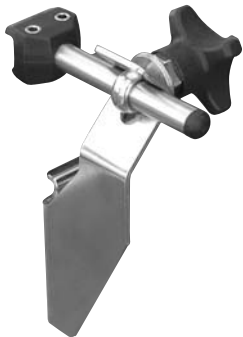
Preferred type, readily available (codes marked in red)

**SS 304**  
AISI 304  
Stainless steel

**PA FG**  
Reinforced  
polyamide

**PATENT FEATURE**

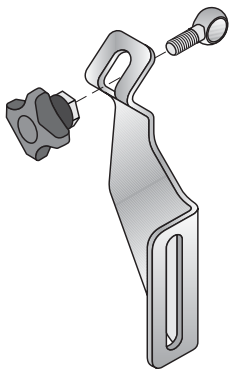
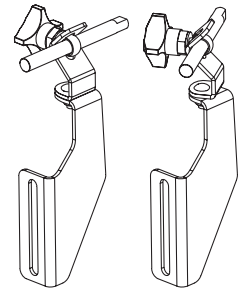
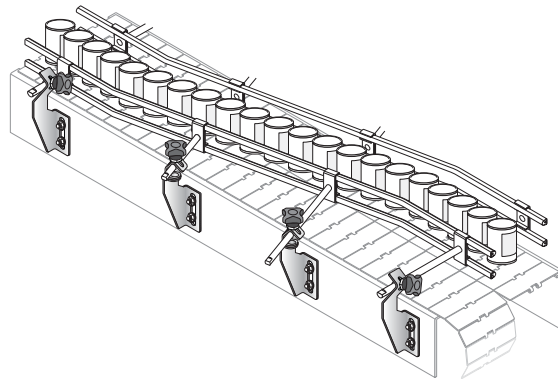
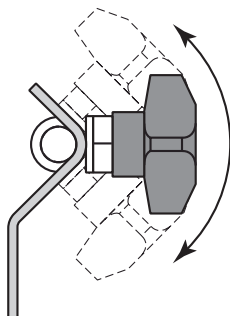
Par. # 6,189,685  
Par. # 6,669,009  
(USA)



## NEW VALU GUIDE STAINLESS STEEL GUIDE RAIL BRACKETS

### Characteristics:

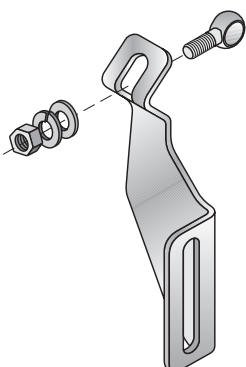
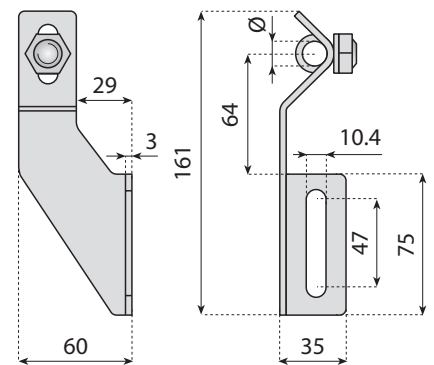
- 304 stainless steel
- Versatile, sanitary design
- High temperature or corrosive environments
- Tall or short, fixed or swivel



## STAINLESS STEEL BRACKET WITH EYEBOLT AND KNOB

**Material:** body in stainless steel, eyebolt and washer in stainless steel AISI 304, knob in reinforced polyamide with nickel plated brass insert.

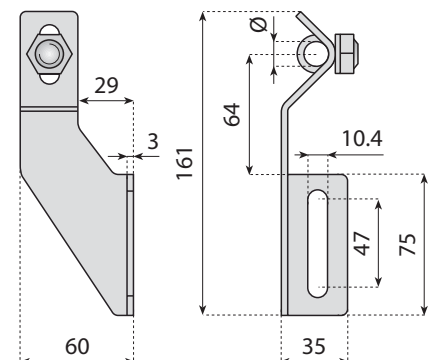
Code	Ref.	For rod Ø (mm)	
<b>13S00001</b>	VG-213-12-01	12-13	n°4
<b>13S00003</b>	VG-213-14-01	14	
<b>13S00005</b>	VG-213-58-01	16	
<b>13S00004</b>	VG-213-20-01	20	



## STAINLESS STEEL BRACKET WITH EYEBOLT AND NUT

**Material:** body in stainless steel, eyebolt and washer in stainless steel AISI 304, knob in reinforced polyamide with nickel plated brass insert.

Code	Ref.	For rod Ø (mm)	
<b>13S00007</b>	VG-213N-12-01	12-13	n°4
<b>13S00008</b>	VG-213N-14-01	14	
<b>13S00010</b>	VG-213N-58-01	16	
<b>13S00009</b>	VG-213N-20-01	20*	



\*Ø20 versions can be converted to SpeedSet brackets.

# Stainless steel guide rail brackets

 Preferred type, readily available (codes marked in red)



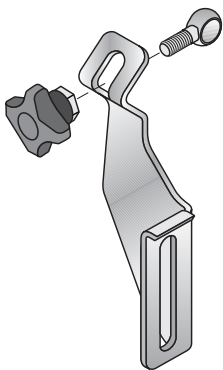
AISI 304  
Stainless steel



Reinforced  
polyamide




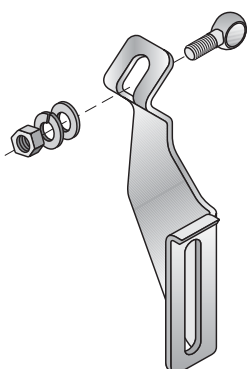
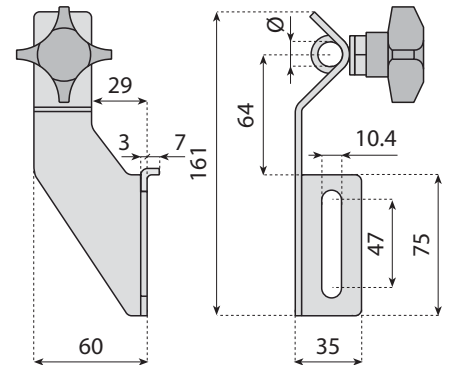
Par. # 6,189,685  
Par. # 6,543,608  
Par. # 6,669,009  
(USA)



## STAINLESS STEEL BRACKETS WITH LIP, EYEBOLT AND KNOB


**Material:** body in stainless steel, eyebolt and washer in stainless steel AISI 304, knob in polyamide with nickel plated brass insert.

Code	Ref.	For rod Ø (mm)	
<b>13S00020</b>	VG-213T-12-01	12-13	n°4
<b>13S00025</b>	VG-213T-14-01	14	
<b>13S00022</b>	VG-213T-58-01	16	
<b>13S00021</b>	VG-213T-20-01	20	

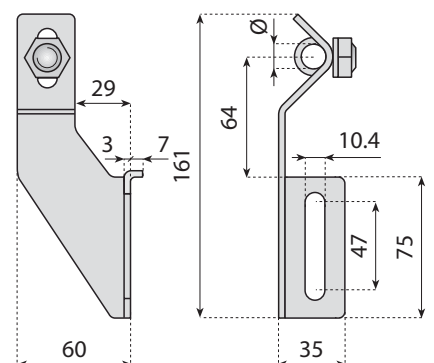


## STAINLESS STEEL BRACKETS WITH LIP, EYEBOLT AND NUT

**Material:** body in stainless steel, eyebolt and washer in stainless steel AISI 304.

Code	Ref.	For rod Ø (mm)	
<b>13S00023</b>	VG-213TN-12-01	12-13	n°4
<b>13S00026</b>	VG-213TN-14-01	14	
<b>13S00024</b>	VG-213TN-58-01	16	
<b>13S00027</b>	VG-213TN-20-01	20*	

\*Ø20 versions can be converted to SpeedSet brackets.



# Stainless steel guide rail brackets

Preferred type, readily available (codes marked in red)



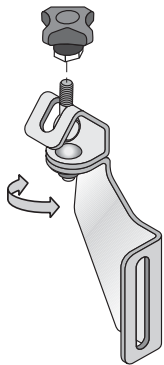
AISI 304  
Stainless steel



Reinforced  
polyamide



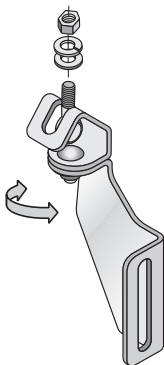
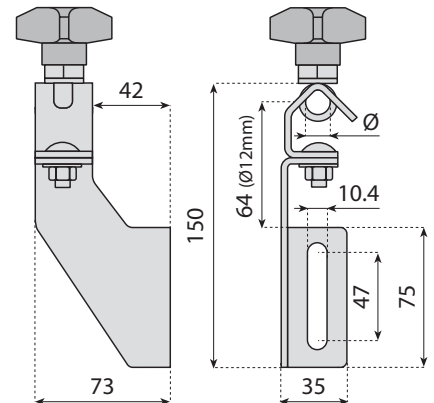
Par. # 6,189,685  
Par. # 6,543,608  
Par. # 6,669,009  
(USA)



## ADJUSTABLE STAINLESS STEEL BRACKETS

**Material:** body in stainless steel, eyebolt and washer in stainless steel AISI 304, knob in polyamide with nickel plated brass insert.

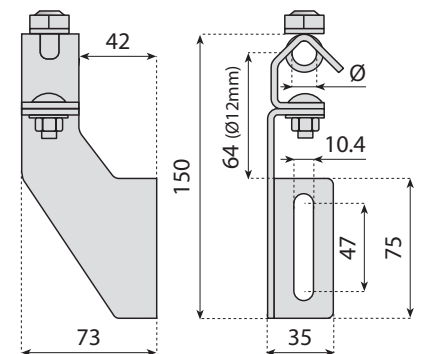
Code	Ref.	For rod Ø (mm)	
<b>13S00011</b>	VG-213R-12-01	12-13	n°4
<b>13S00028</b>	VG-213R-14-01	14	
<b>13S00012</b>	VG-213R-58-01	16	
<b>13S00029</b>	VG-213R-20-01	20	



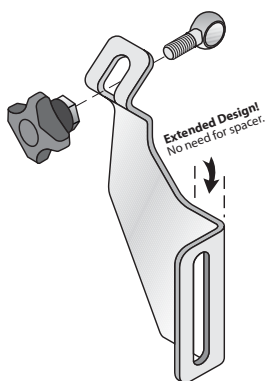
## ADJUSTABLE STAINLESS STEEL BRACKETS

**Material:** body in stainless steel, eyebolt nut and washer in stainless steel AISI 304.

Code	Ref.	For rod Ø (mm)	
<b>13S00032</b>	VG-213RN-12-01	12-13	n°4
<b>13S00033</b>	VG-213RN-14-01	14	
<b>13S00034</b>	VG-213RN-58-01	16	
<b>13S00035</b>	VG-213RN-20-01	20*	



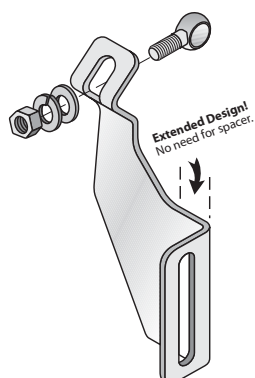
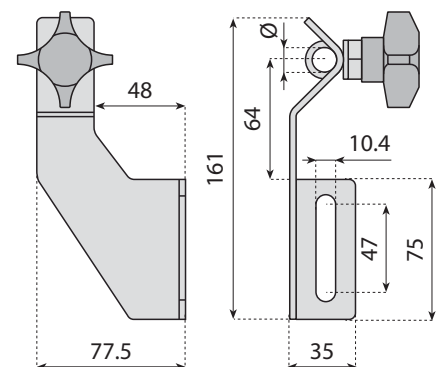
\*Ø20 versions can be converted to SpeedSet brackets.



## STAINLESS STEEL GUIDE RAIL BRACKETS

**Material:** body in stainless steel, eyebolt and washer in stainless steel AISI 304, knob in polyamide with nickel plated brass insert.

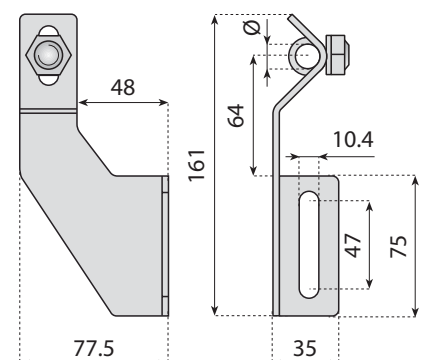
Code	Ref.	For rod Ø (mm)	
<b>13S00002</b>	VG-213-12-02	12-13	n°4
<b>13S00030</b>	VG-213-14-02	14	
<b>13S00006</b>	VG-213-58-02	16	
<b>13S00031</b>	VG-213-20-02	20	



## STAINLESS STEEL GUIDE RAIL BRACKETS

**Material:** body in stainless steel, eyebolt nut and washer in stainless steel AISI 304.

Code	Ref.	For rod Ø (mm)	
<b>13S00036</b>	VG-213N-12-02	12-13	n°4
<b>13S00037</b>	VG-213N-14-02	14	
<b>13S00038</b>	VG-213N-58-02	16	
<b>13S00039</b>	VG-213N-20-02	20*	



\*Ø20 versions can be converted to SpeedSet brackets.

# Stainless steel guide rail brackets

 Preferred type, readily available (codes marked in red)



Heavy duty



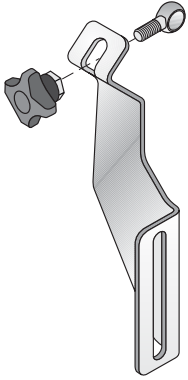
AISI 304  
Stainless steel



Reinforced  
polyamide




Par. # 6,189,685  
Par. # 6,669,009  
(USA)

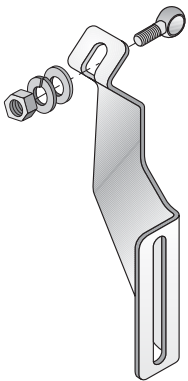
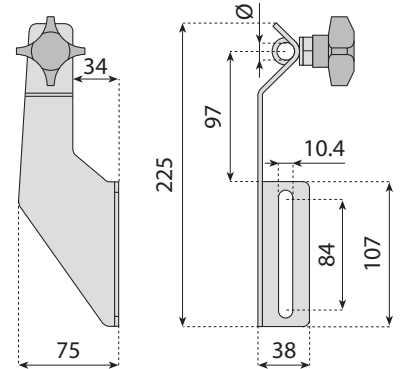


## STAINLESS STEEL GUIDE RAIL BRACKETS

**Material:** body in stainless steel, eyebolt and washer in stainless steel AISI 304, knob in reinforced polyamide with nickel plated brass insert.

**Characteristics:** Heavy duty


Code	Ref.	For rod Ø (mm)	
<b>13S00050</b>	VG-223-12-01	12-13	n°4
<b>13S00052</b>	VG-223-14-01	14	
<b>13S00055</b>	VG-223-58-01	16	
<b>13S00040</b>	VG-223-20-01	20	



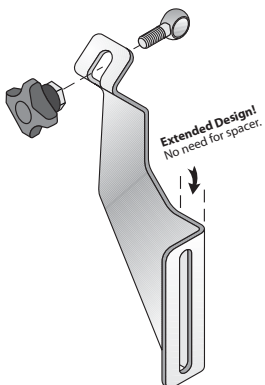
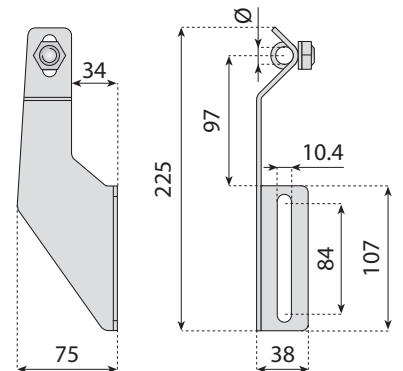
## STAINLESS STEEL GUIDE RAIL BRACKETS

**Material:** body in stainless steel, eyebolt nut and washer in stainless steel AISI 304.

**Characteristics:** Heavy duty

Code	Ref.	For rod Ø (mm)	
<b>13S00057</b>	VG-223N-12-01	12-13	n°4
<b>13S00041</b>	VG-223N-14-01	14	
<b>13S00058</b>	VG-223N-58-01	16	
<b>13S00042</b>	VG-223N-20-01	20*	


\*Ø20 versions can be converted to SpeedSet brackets.

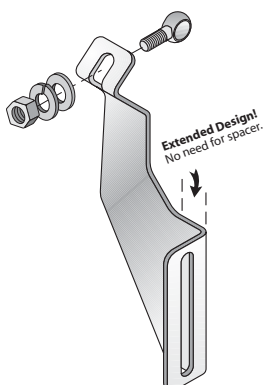
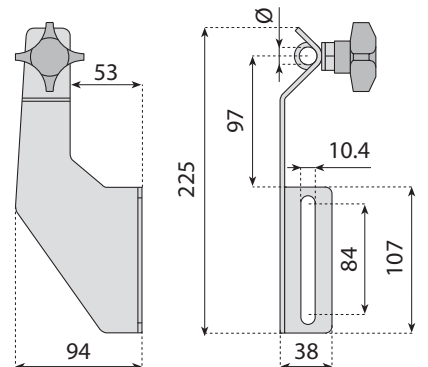


## STAINLESS STEEL GUIDE RAIL BRACKETS

**Material:** body in stainless steel, eyebolt and washer in stainless steel AISI 304, knob in reinforced polyamide with nickel plated brass insert.

**Characteristics:** Heavy duty


Code	Ref.	For rod Ø (mm)	
<b>13S00051</b>	VG-223-12-02	12-13	n°4
<b>13S00053</b>	VG-223-14-02	14	
<b>13S00056</b>	VG-223-58-02	16	
<b>13S00054</b>	VG-223-20-02	20	



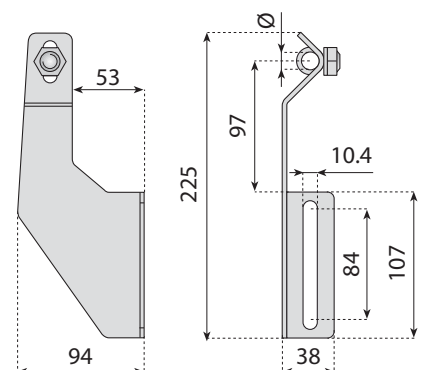
## STAINLESS STEEL GUIDE RAIL BRACKETS

**Material:** body in stainless steel, eyebolt nut and washer in stainless steel AISI 304.

**Characteristics:** Heavy duty

Code	Ref.	For rod Ø (mm)	
<b>13S00046</b>	VG-223N-12-02	12-13	n°4
<b>13S00047</b>	VG-223N-14-02	14	
<b>13S00048</b>	VG-223N-58-02	16	
<b>13S00049</b>	VG-223N-20-02	20*	

\*Ø20 versions can be converted to SpeedSet brackets.



# Stainless steel guide rail brackets

Preferred type, readily available (codes marked in red)



Heavy duty



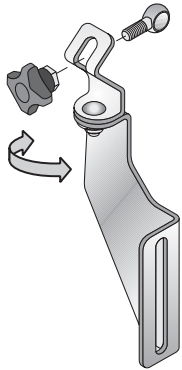
AISI 304  
Stainless steel



Reinforced  
polyamide



Par. # 6,189,685  
Par. # 6,669,009  
(USA)



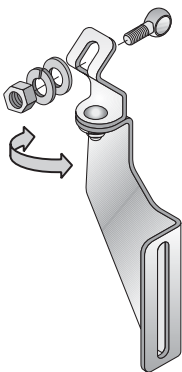
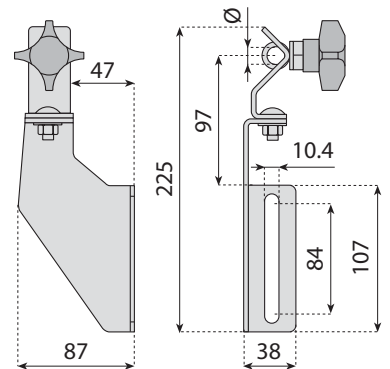
## STAINLESS STEEL GUIDE RAIL BRACKETS

**Material:** body in stainless steel, eyebolt and washer in stainless steel AISI 304, knob in reinforced polyamide with nickel plated brass insert.

**Characteristics:** Heavy duty

Code	Ref.	For rod Ø (mm)	
<b>13S00059</b>	VG-223R-12-01	12-13	n°4
<b>13S00060</b>	VG-223R-14-01	14	
<b>13S00062</b>	VG-223R-58-01	16	
<b>13S00061</b>	VG-223R-20-01	20*	

\*Ø20 versions can be converted to SpeedSet brackets.



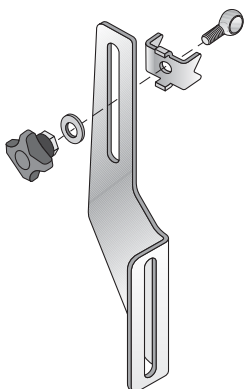
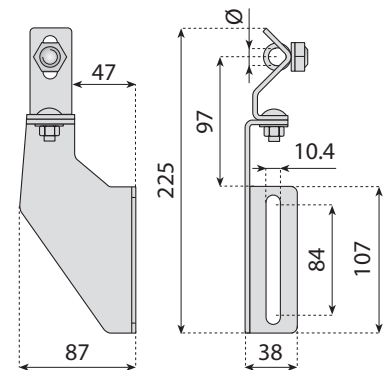
## ADJUSTABLE STAINLESS STEEL GUIDE RAIL BRACKETS

**Material:** body in stainless steel, eyebolt nut and washer in stainless steel AISI 304.

**Characteristics:** Heavy duty

Code	Ref.	For rod Ø (mm)	
<b>13S00064</b>	VG-223RN-12-01	12-13	n°4
<b>13S00043</b>	VG-223RN-14-01	14	
<b>13S00044</b>	VG-223RN-58-01	16	
<b>13S00045</b>	VG-223RN-20-01	20*	

\*Ø20 versions can be converted to SpeedSet brackets.

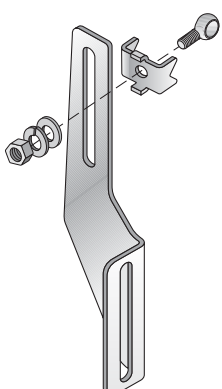
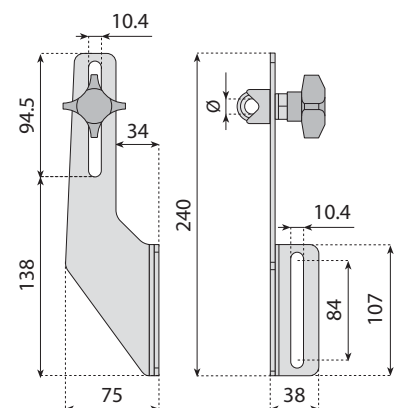


## STAINLESS STEEL GUIDE RAIL BRACKETS

**Material:** body in stainless steel, eyebolt and washer in stainless steel AISI 304, knob in reinforced polyamide with nickel plated brass insert.

**Characteristics:** Heavy duty

Code	Ref.	For rod Ø (mm)	
<b>13S00080</b>	VG-223F-12-01	12-13	n°4
<b>13S00081</b>	VG-223F-14-01	14	
<b>13S00082</b>	VG-223F-58-01	16	
<b>13S00083</b>	VG-223F-20-01	20	



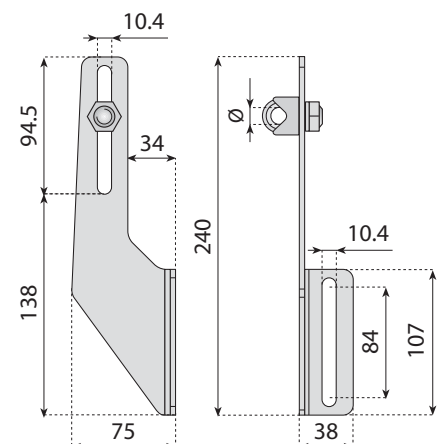
## STAINLESS STEEL GUIDE RAIL BRACKETS

**Material:** body in stainless steel, eyebolt nut and washer in stainless steel AISI 304.

**Characteristics:** Heavy duty

Code	Ref.	For rod Ø (mm)	
<b>13S00084</b>	VG-223FN-12-01	12-13	n°4
<b>13S00085</b>	VG-223FN-14-01	14	
<b>13S00086</b>	VG-223FN-58-01	16	
<b>13S00087</b>	VG-223FN-20-01	20*	

\*Ø20 versions can be converted to SpeedSet brackets.



# Stainless steel guide rail brackets

 Preferred type, readily available (codes marked in red)



Stainless steel



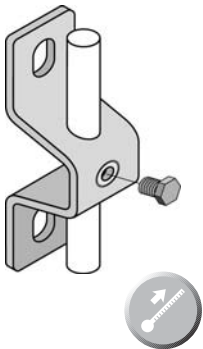
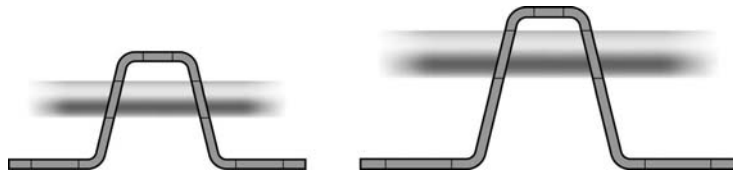
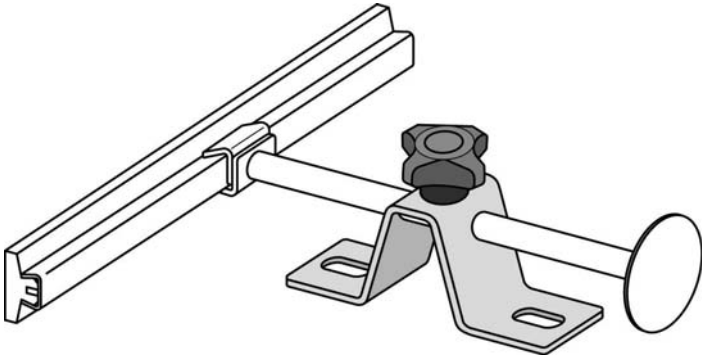
Reinforced polyamide



For use in high temperatures




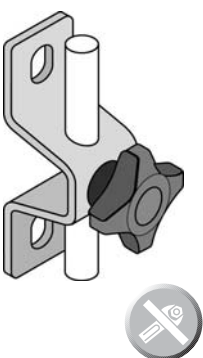
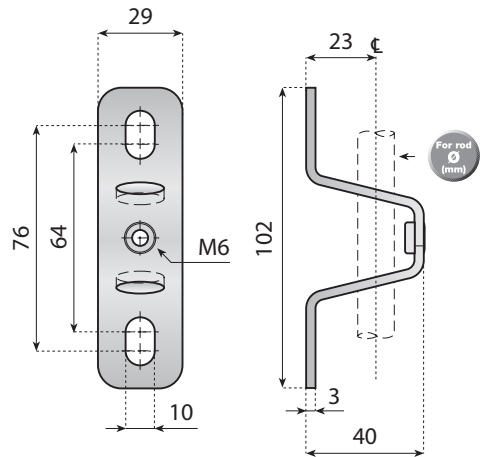
No tools required



## STAINLESS STEEL GUIDE RAIL BRACKETS


**Material:** body in stainless steel, insert in nickel plated brass, screw in stainless steel

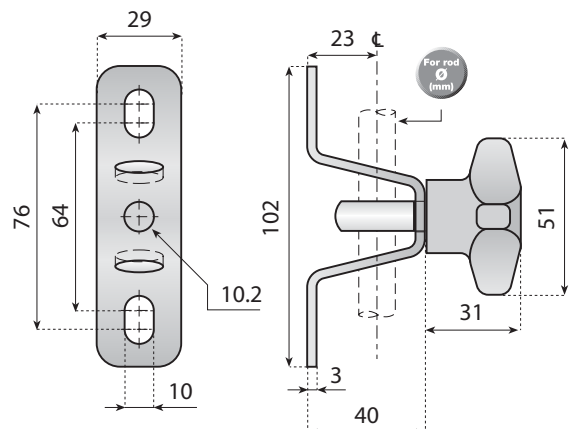
Code	Ref.	For rod Ø (mm)	
<b>13S00105</b>	VG-254MB-S-12	12-13	n°10



## STAINLESS STEEL GUIDE RAIL BRACKETS

**Material:** body in stainless steel, eyebolt and washer in stainless steel, knob in reinforced polyamide with nickel plated brass insert.

Code	Ref.	For rod Ø (mm)	
<b>13S00104</b>	VG-254K-S-12	12-13	n°10



# Stainless steel guide rail brackets

Preferred type, readily available (codes marked in red)



Stainless steel



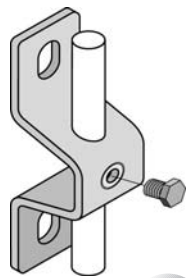
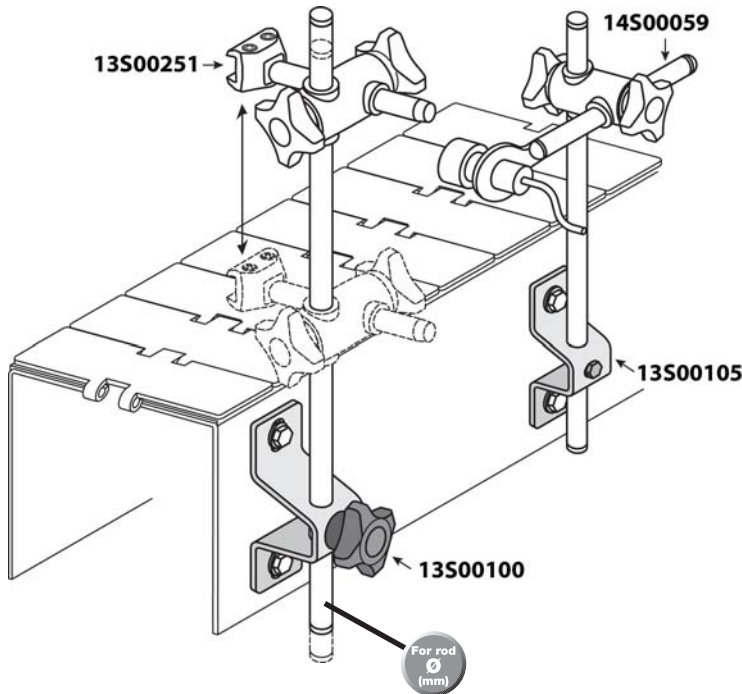
Reinforced polyamide



For use in high temperatures



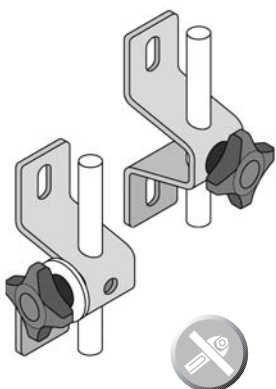
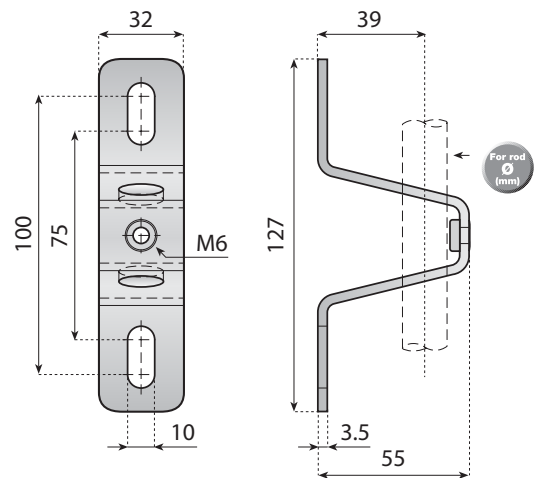
No tools required



## STAINLESS STEEL GUIDE RAIL BRACKETS

**Material:** body in stainless steel, screw in stainless steel, insert in nickel plated brass.

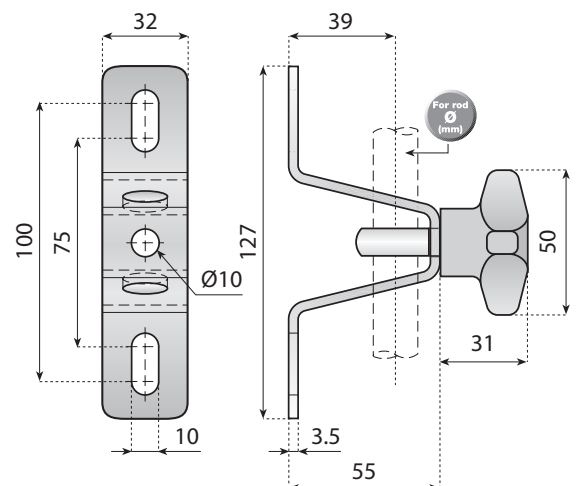
Code	Ref.	For rod Ø (mm)	
13500102	VG-253MB-S-12	12-13	n°10
13500103	VG-253MB-S-58	16	



## STAINLESS STEEL GUIDE RAIL BRACKETS

**Material:** body in stainless steel, eyebolt and washer in stainless steel, knob in reinforced polyamide with nickel plated brass insert.

Code	Ref.	For rod Ø (mm)	
13500100	VG-253K-S-12	12-13	n°10
13500101	VG-253K-S-58	16	



# Polyamide bracket

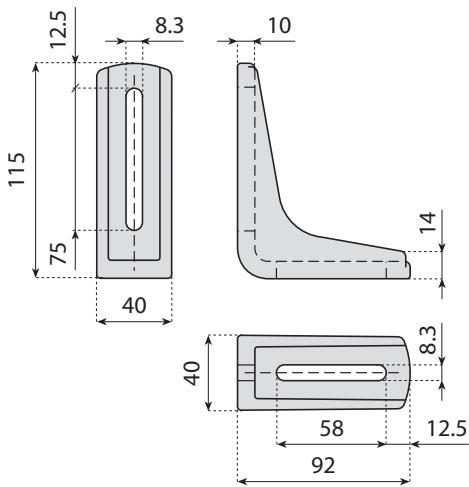
 Preferred type, readily available (codes marked in red)





Polyamide



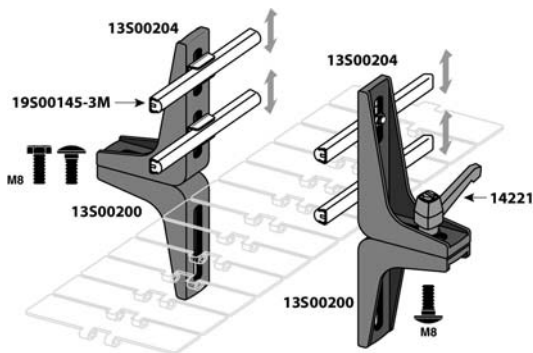
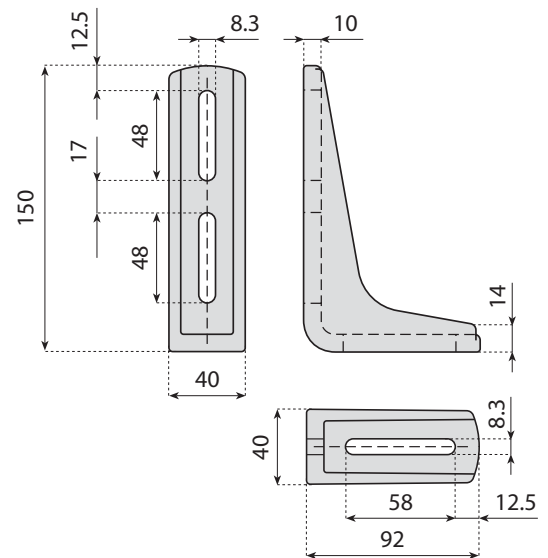
Accessories




## SINGLE SLOT BRACKET

Code	Ref.		Material	
<b>13500200</b>	VG-245-H-BK	n°10	PA	Black
<b>13500203</b>	VG-245-H-GR	n°10	PA	Grey

Hardware not included

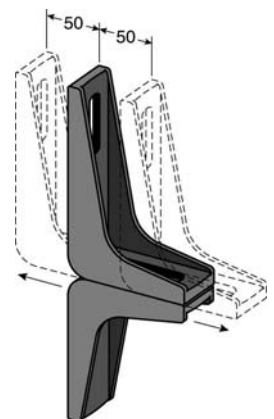
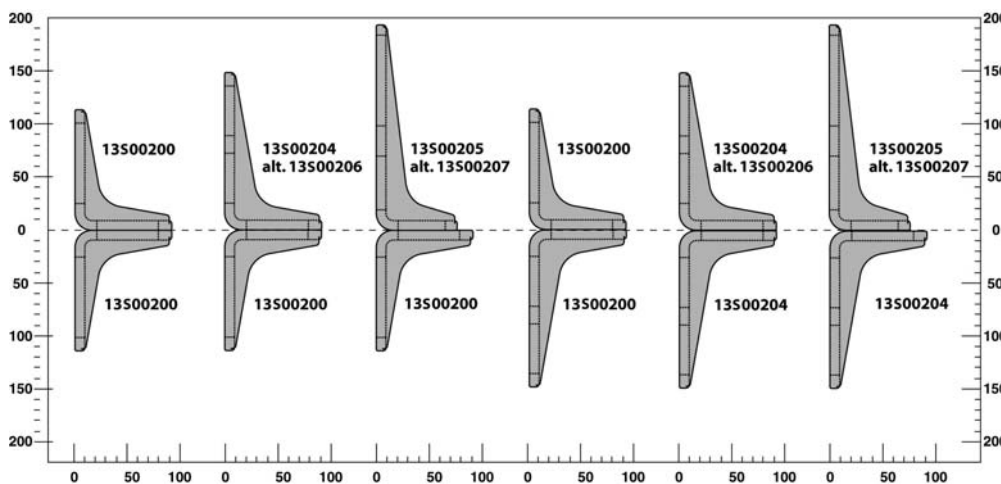


## DOUBLE SLOT BRACKET

Code	Ref.		Material	
<b>13500204</b>	VG-245-J-BK	n°10	PA	Black
<b>13500340</b>	VG-245-J-GR	n°10	PA	Grey

Hardware not included

## Combinations



# Polyamide bracket

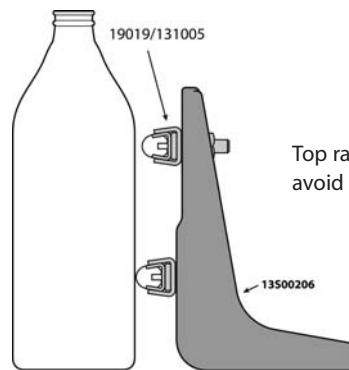
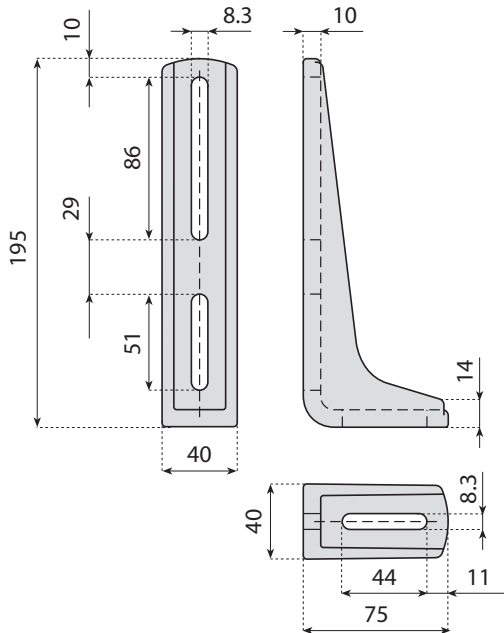
 Preferred type, readily available (codes marked in red)



Polyamide






[Accessories](#)

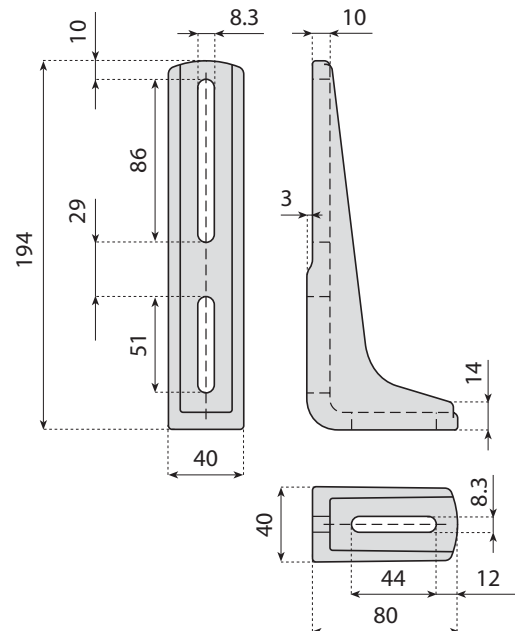
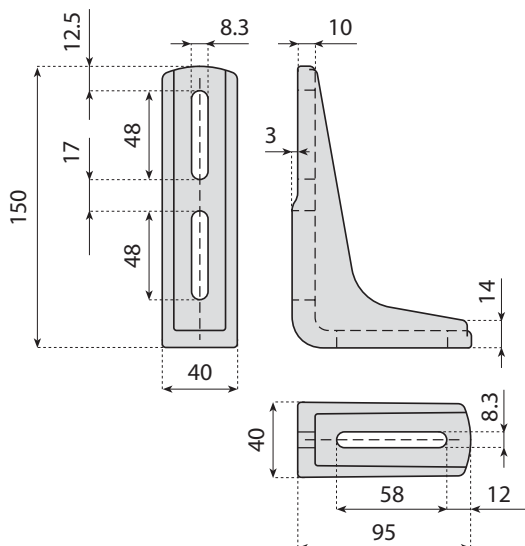


Top rail is intentionally set back to avoid container contact.




## DOUBLE SLOT BRACKET

Code	Ref.			
<b>13S00205</b>	VG-245-K-BK	n°10	PA	Black
<b>13S00341</b>	VG-245-K-GR			Grey

Hardware not included






## DOUBLE SLOT BRACKET

Code	Ref.			
<b>13S00206</b>	VG-245-L-BK	n°10	PA	Black
<b>13S00342</b>	VG-245-L-GR			Grey

Hardware not included

## DOUBLE SLOT BRACKET

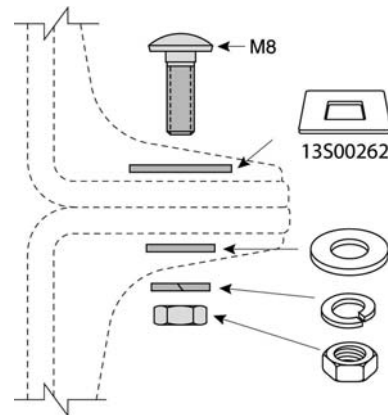
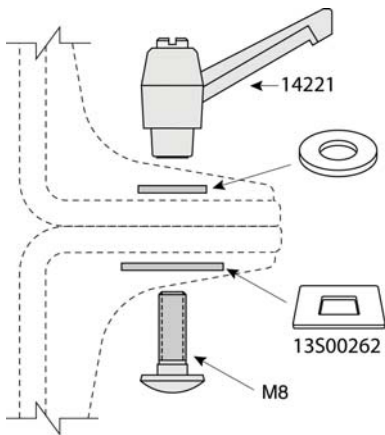
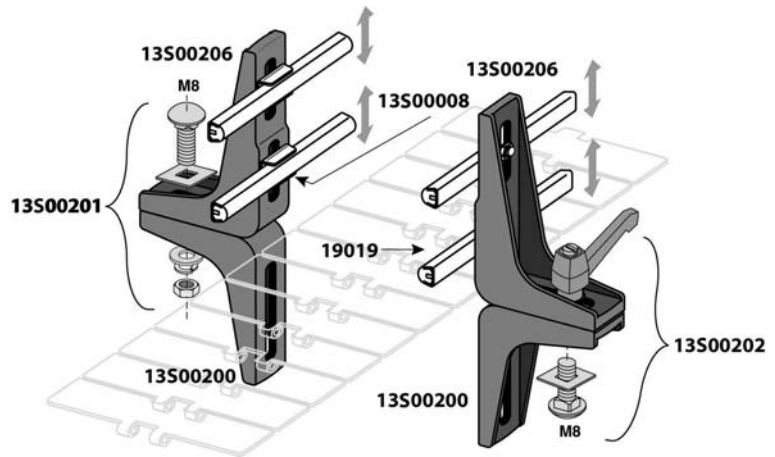
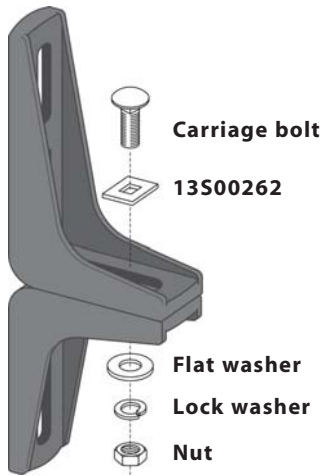
Code	Ref.			
<b>13S00207</b>	VG-245-M-BK	n°10	PA	Black
<b>13S00343</b>	VG-245-M-GR			Grey

Hardware not included

# Polyamide bracket



Preferred type, readily available (codes marked in red)



## HARDWARE ASSEMBLIES

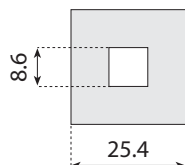
Code	Ref.		Material
<b>13500202</b>	VG-245-HDW-02-M8	n°10	SS

## HARDWARE ASSEMBLIES

Code	Ref.		Material
<b>13500201</b>	VG-245-HDW-03-M8	n°10	SS

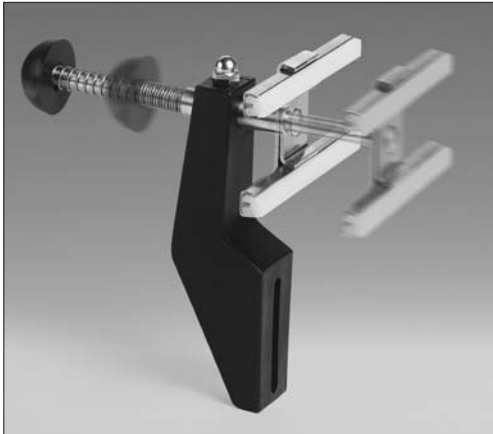
## STAINLESS STEEL SQUARE WASHER

Stainless steel square washer (13500262) recommended for use with M8 carriage bolts.



Code	Ref.		Material
<b>13500262</b>	VG-245-WSH-S	n°10	SS

# SpeedSet™



## SPEEDSET™

Adjusts to 3 container sizes! SpeedSet™ brackets offer preset conveyor guide rail adjustability that is fast and accurate without the need for tools. A simple push on the end knob moves the pin, clamp and guide rail. Spacing blocks, cut to the length needed, accurately hold the pin and guide rail in position.



Saves time and money

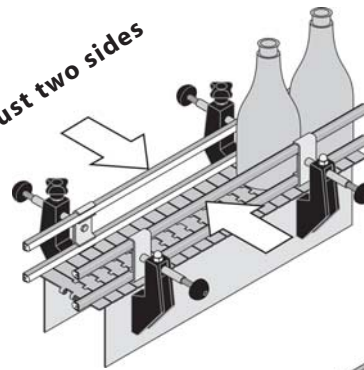


No tools required

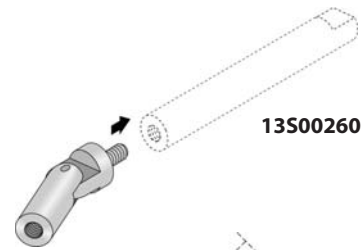
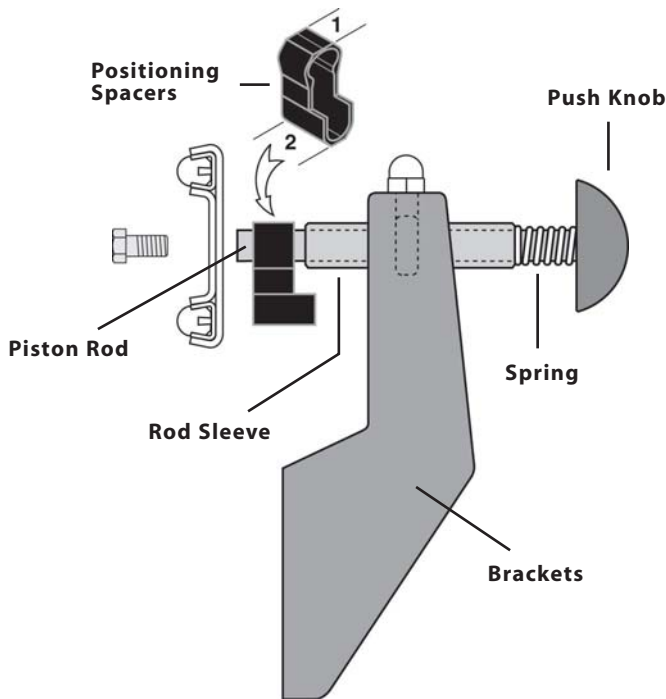
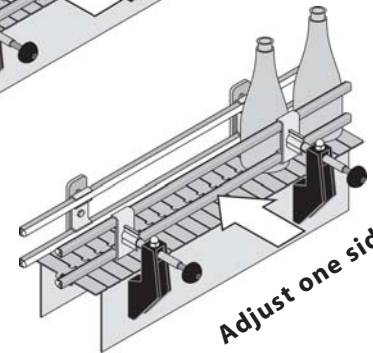


Par. # 5,819,911  
 Par. # 5,967,295  
 Par. # 6,135,271  
 Par. # 6,533,110  
 (USA)

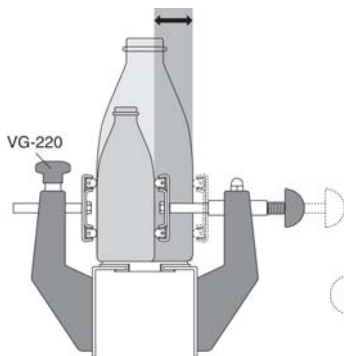
Adjust two sides



Adjust one sides

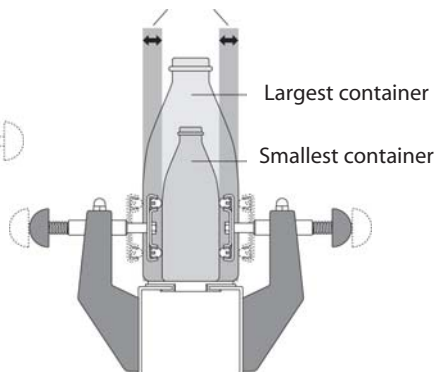


Range of travel

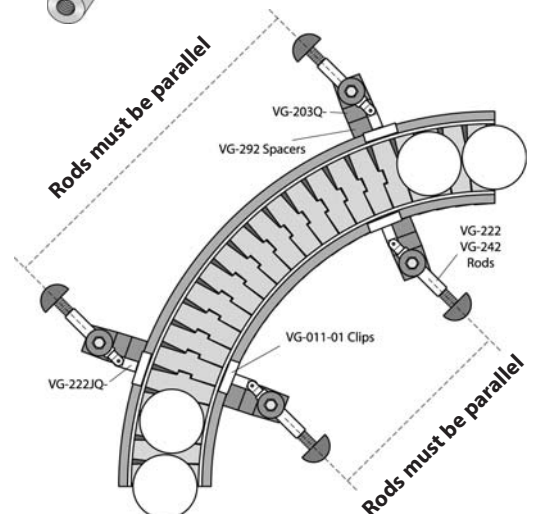


Single side adjusting

Range of travel

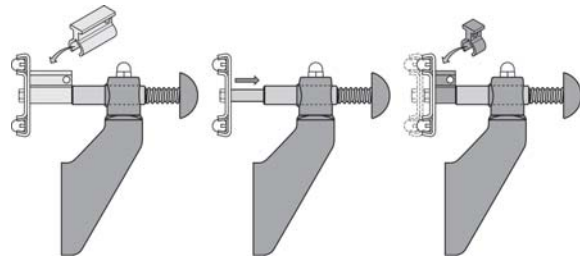
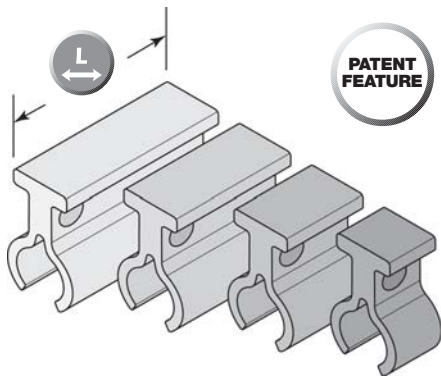





Double side adjusting



# SpeedSet™

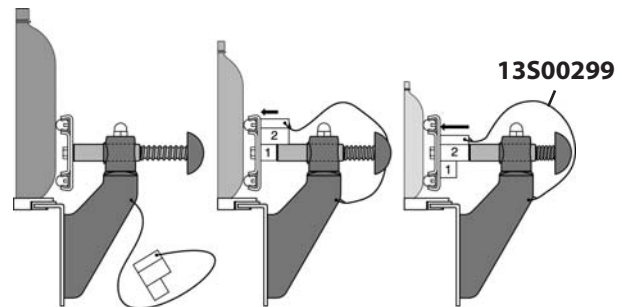
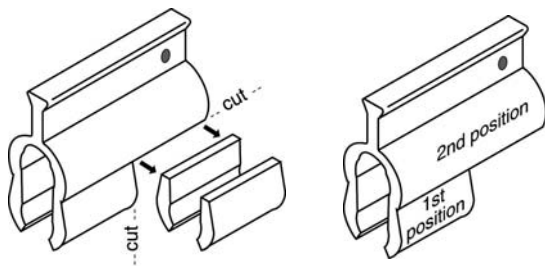
 Preferred type, readily available (codes marked in red)





Code	Ref.			
<b>13S00292</b>	VG-QSC-10M	10 mm		Red
<b>13S00293</b>	VG-QSC-12M	12 mm		Blue
<b>13S00294</b>	VG-QSC-16M	16 mm		Black
<b>13S00295</b>	VG-QSC-20M	20 mm	n°10	Green
<b>13S00296</b>	VG-QSC-25M	25 mm		Purple
<b>13S00297</b>	VG-QSC-30M	30 mm		Orange
<b>13S00298</b>	VG-QSC-40M	40 mm		Gray

## QSC - COLOR CLIP

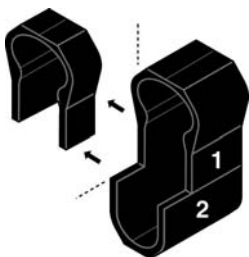
Can be connected to the bracket or the machine with the VG-QT tether.



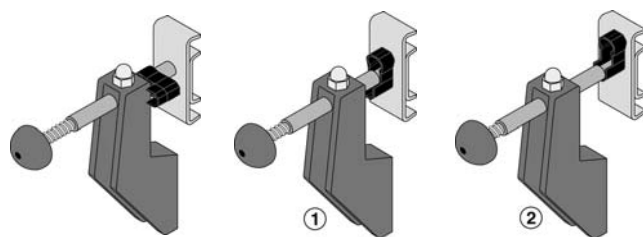
Code	Ref.		
<b>13S00288</b>	VG-QSB-25M	25 mm	n°10
<b>13S00289</b>	VG-QSB-40M	40 mm	n°10
<b>13S00291</b>	VG-QSB-65M	65 mm	n°10
<b>13S00290</b>	VG-QSB-450M	450 mm	n°1
<b>13S00299</b>	VG-QT-01	225 mm	n°10



## QSB - CLIP-ON SPACER

Cut to length as needed. Can be connected to the bracket or the machine with the VG-QT tether. Also available in bars of 450 mm.



Par. # 6,533,110 (USA)



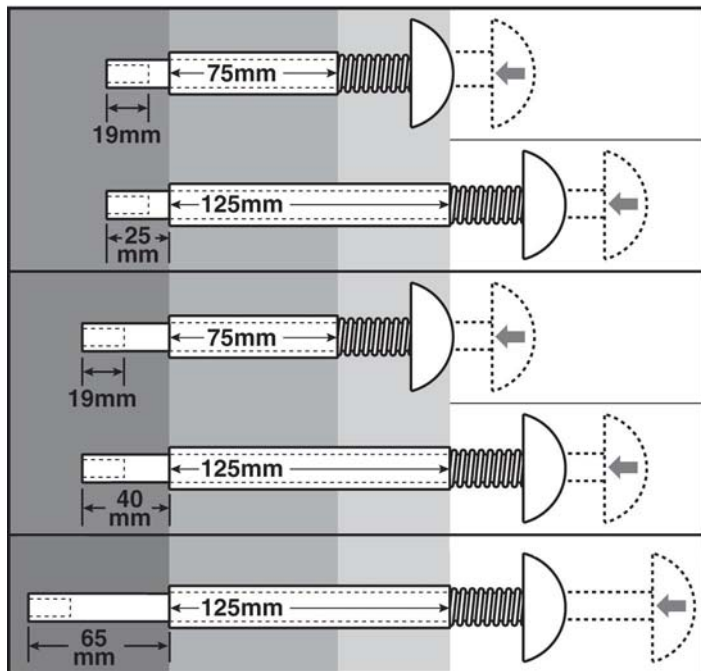
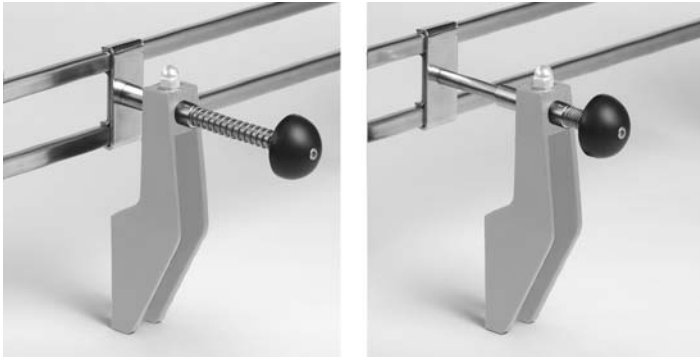
Code	Ref.		
<b>13S00284</b>	VG-QPC-25M	25 mm	n°10
<b>13S00285</b>	VG-QPC-40M	40 mm	n°10
<b>13S00287</b>	VG-QPC-65M	65 mm	n°10
<b>13S00286</b>	VG-QPC-450M	450 mm	n°1

## QPC - COLLAR POSITIONING SPACER

Cut to length as needed. Hangs free on the pin when not in use. Available in 450mm lengths.

# SpeedSet™

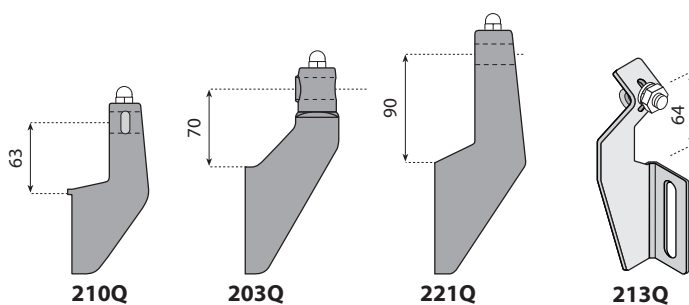
Preferred type, readily available (codes marked in red)



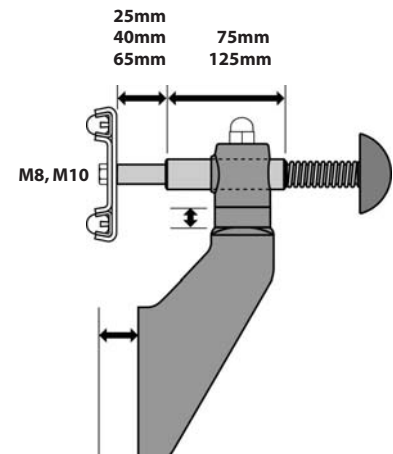
**SPEEDSET™ CARTRIDGES**  
Adjustment range (travel)



Travel	Code	Ref.	
0 - 25 mm	<b>13S00275</b>	VG-Q-03-10-M8	M8
	<b>13S00274</b>	VG-Q-03-10-M10	M10
0 - 25 mm	<b>13S00279</b>	VG-Q-05-10-M8	M8
	<b>13S00278</b>	VG-Q-05-10-M10	M10
0 - 40 mm	<b>13S00277</b>	VG-Q-03-15-M8	M8
	<b>13S00276</b>	VG-Q-03-15-M10	M10
0 - 40 mm	<b>13S00281</b>	VG-Q-05-15-M8	M8
	<b>13S00280</b>	VG-Q-05-15-M10	M10
0 - 65 mm	<b>13S00283</b>	VG-Q-05-25-M8	M8
	<b>13S00282</b>	VG-Q-05-25-M10	M10



## SPEEDSET OPTIONS





Accessories



Stainless steel

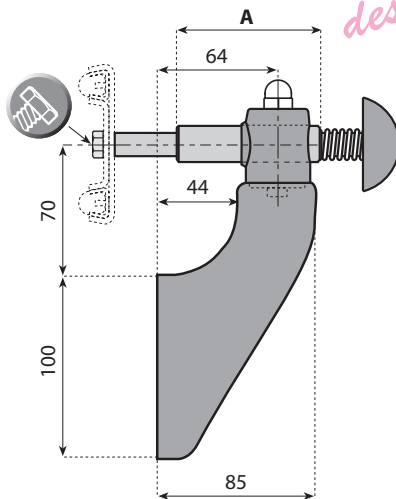


Polyamide



Size  
hex head bolt

*New design*

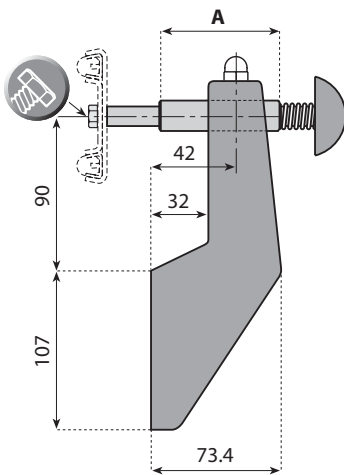


### SWIVEL TOP POLYAMIDE SPEEDSET BRACKETS

**Material:** Push knob and brackets in polyamide; spring in stainless steel.

Travel	Code	Ref.	A		
0 - 25 mm	13S00300	VG-203Q-03-10-M8	75	M8	n°4
	13S00263	VG-203Q-03-10-M10	75	M10	
	13S00302	VG-203Q-05-10-M8	125	M8	
	13S00301	VG-203Q-05-10-M10	125	M10	
0 - 40 mm	13S00264	VG-203Q-03-15-M8	75	M8	n°4
	13S00303	VG-203Q-03-15-M10	75	M10	
	13S00304	VG-203Q-05-15-M8	125	M8	
	13S00265	VG-203Q-05-15-M10	125	M10	
0 - 65 mm	13S00267	VG-203Q-05-25-M8	125	M8	n°4
	13S00266	VG-203Q-05-25-M10	125	M10	

\* Collar Positioning Spacer Included with each SpeedSet Bracket !

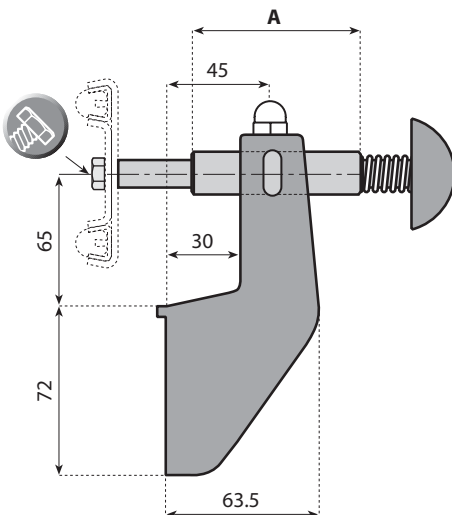


### POLYAMIDE SPEEDSET BRACKETS

**Material:** Push knob and brackets in polyamide; spring in stainless steel.

Travel	Code	Ref.	A		
0 - 25 mm	13S00271	VG-221Q-03-10-M8	75	M8	n°4
	13S00270	VG-221Q-03-10-M10	75	M10	
	13S00335	VG-221Q-05-10-M8	125	M8	
	13S00334	VG-221Q-05-10-M10	125	M10	
0 - 40 mm	13S00337	VG-221Q-03-15-M8	75	M8	n°4
	13S00336	VG-221Q-03-15-M10	75	M10	
	13S00339	VG-221Q-05-15-M8	125	M8	
	13S00338	VG-221Q-05-15-M10	125	M10	
0 - 65 mm	13S00273	VG-221Q-05-25-M8	125	M8	n°4
	13S00272	VG-221Q-05-25-M10	125	M10	

\* Collar Positioning Spacer Included with each SpeedSet Bracket !



### POLYAMIDE SPEEDSET BRACKETS

**Material:** Push knob and brackets in polyamide; spring in stainless steel.

Travel	Code	Ref.	A		
0 - 25 mm	13S00325	VG-210Q-03-10-M8	75	M8	n°4
	13S00324	VG-210Q-03-10-M10	75	M10	
	13S00327	VG-210Q-05-10-M8	125	M8	
	13S00326	VG-210Q-05-10-M10	125	M10	
0 - 40 mm	13S00329	VG-210Q-03-15-M8	75	M8	n°4
	13S00328	VG-210Q-03-15-M10	75	M10	
	13S00331	VG-210Q-05-15-M8	125	M8	
	13S00330	VG-210Q-05-15-M10	125	M10	
0 - 65 mm	13S00333	VG-210Q-05-25-M8	125	M8	n°4
	13S00332	VG-210Q-05-25-M10	125	M10	

\* Collar Positioning Spacer Included with each SpeedSet Bracket !

# SpeedSet™



Accessories



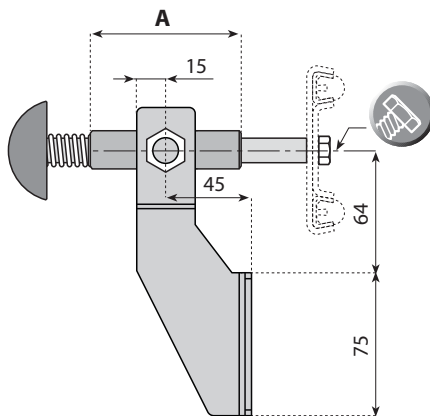
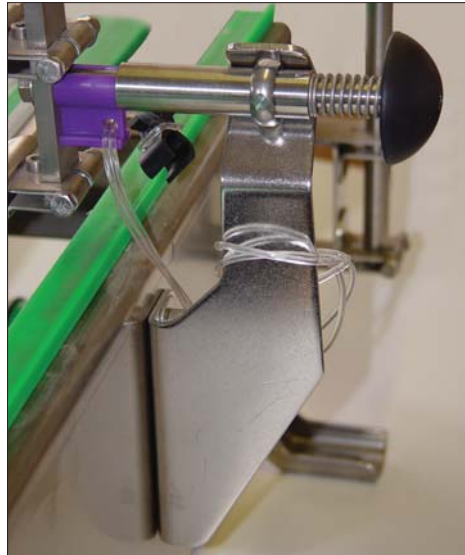
Stainless steel



Polyamide



Size  
hex head bolt

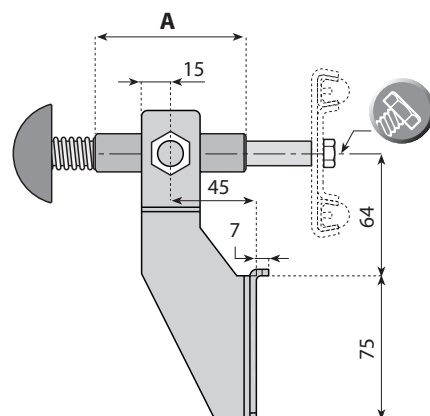


## STAINLESS STEEL SPEEDSET BRACKETS

**Material:** Brackets and spring in stainless steel; push in polyamide.

Travel	Code	Ref.	A		
0 - 25 mm	13S00269	VG-213Q-03-10-M8	75	M8	n°4
	13S00305	VG-213Q-03-10-M10	75	M10	
	13S00307	VG-213Q-05-10-M8	125	M8	
	13S00306	VG-213Q-05-10-M10	125	M10	
0 - 40 mm	13S00309	VG-213Q-03-15-M8	75	M8	n°4
	13S00308	VG-213Q-03-15-M10	75	M10	
	13S00311	VG-213Q-05-15-M8	125	M8	
	13S00310	VG-213Q-05-15-M10	125	M10	
0 - 65 mm	13S00313	VG-213Q-05-25-M8	125	M8	n°4
	13S00312	VG-213Q-05-25-M10	125	M10	

\* Collar Positioning Spacer Included with each SpeedSet Bracket!



## STAINLESS STEEL SPEEDSET BRACKETS

**Material:** Brackets and spring in stainless steel; push knob in polyamide.

Travel	Code	Ref.	A		
0 - 25 mm	13S00315	VG-213TQ-03-10-M8	75	M8	n°4
	13S00314	VG-213TQ-03-10-M10	75	M10	
	13S00317	VG-213TQ-05-10-M8	125	M8	
	13S00316	VG-213TQ-05-10-M10	125	M10	
0 - 40 mm	13S00319	VG-213TQ-03-15-M8	75	M8	n°4
	13S00318	VG-213TQ-03-15-M10	75	M10	
	13S00321	VG-213TQ-05-15-M8	125	M8	
	13S00320	VG-213TQ-05-15-M10	125	M10	
0 - 65 mm	13S00323	VG-213TQ-05-25-M8	125	M8	n°4
	13S00322	VG-213TQ-05-25-M10	125	M10	

\* Collar Positioning Spacer Included with each SpeedSet Bracket!

# Rod mounts with tabs

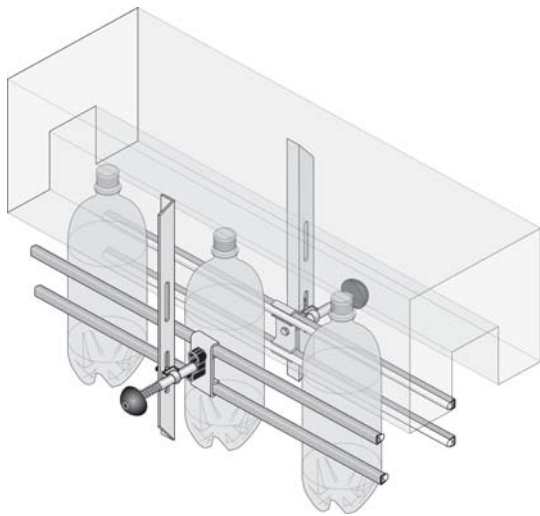
 Preferred type, readily available (codes marked in red)



Stainless steel



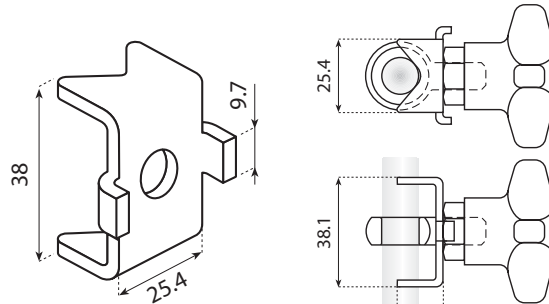
Polyamide



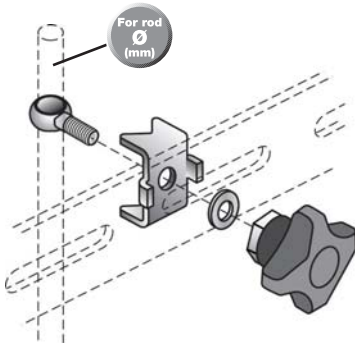
## VALU GUIDE ROD MOUNTS

New Valu Guide Rod Mounts, used for holding and positioning adjusting rods. These strong, yet economical mounts are available in a selection of rod diameter sizes, fixed or rotating configurations, and various tightening methods.

**Positioning tabs lock the rod to brackets slots at 90°.**

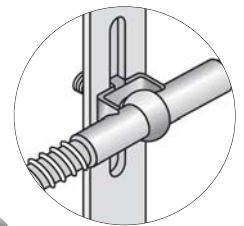



16mm (12-13mm rod)  
17.5mm (14mm rod)  
19mm (16mm rod)  
22mm (20mm rod)

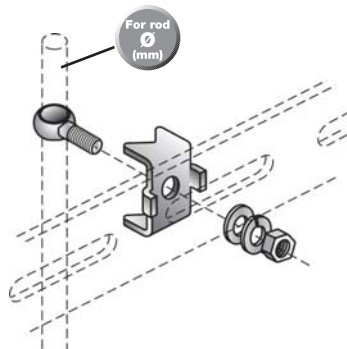


## ROD MOUNTS WITH TABS

**Material:** rod mounts in stainless steel, eyebolt and washer in stainless steel, knob in polyamide with nickel plated brass insert.




Code	Ref.	For rod Ø (mm)	
<b>13S00162</b>	VG-641T-K-12	12-13	
<b>13S00163</b>	VG-641T-K-14	14	n°8
<b>13S00165</b>	VG-641T-K-58	16	
<b>13S00164</b>	VG-641T-K-20	20	

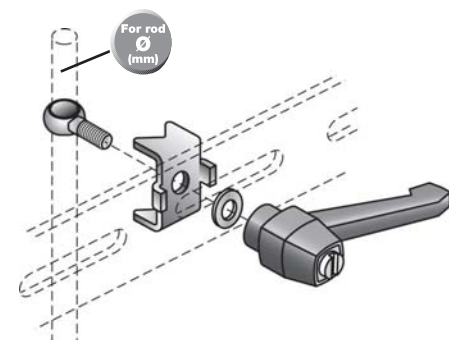


## ROD MOUNTS WITH TABS

**Material:** all components are in stainless steel.


Code	Ref.	For rod Ø (mm)	
<b>13S00166</b>	VG-641T-N-12	12-13	
<b>13S00167</b>	VG-641T-N-14	14	n°8
<b>13S00169</b>	VG-641T-N-58	16	
<b>13S00168</b>	VG-641T-N-20*	20*	

\* Ø20 version can be converted to SpeedSet brackets.



## ROD MOUNTS WITH TABS

**Material:** rod mounts, eyebolt and washer in stainless steel knob in polyamide with nickel plated brass insert.

Code	Ref.	For rod Ø (mm)	
<b>13S00170</b>	VG-641T-R-12	12-13	
<b>13S00171</b>	VG-641T-R-14	14	n°8
<b>13S00173</b>	VG-641T-R-58	16	
<b>13S00172</b>	VG-641T-R-20	20	

# Rod mounts without tabs

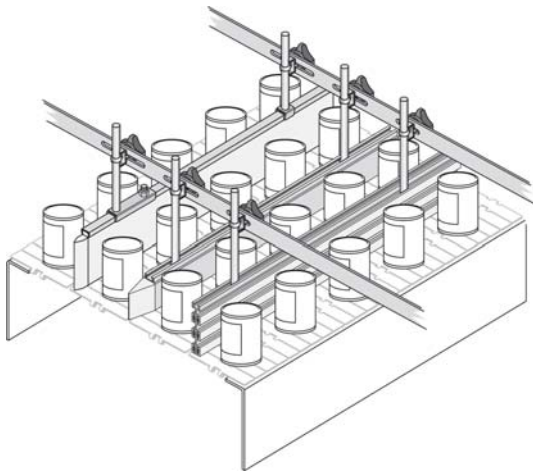
Preferred type, readily available (codes marked in red)



Stainless steel

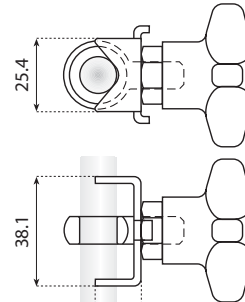
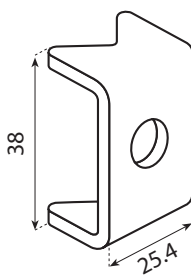


Polyamide

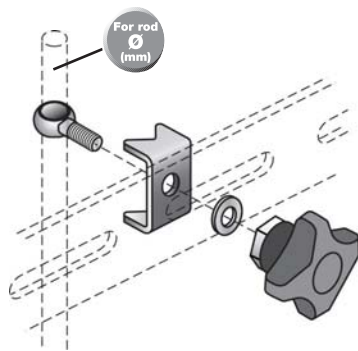
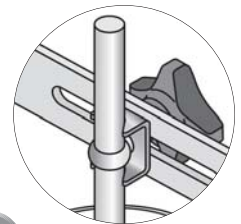


## VALU GUIDE ROD MOUNTS

New Valu Guide Rod Mounts, used for holding and positioning adjusting rods. These strong, yet economical mounts are available in a selection of rod diameter sizes, fixed or rotating configurations, and various tightening methods. **Rod can be rotated to any angle desired.**



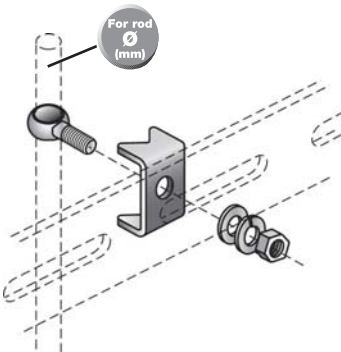
16mm (12-13mm rod)  
17.5mm (14mm rod)  
19mm (16mm rod)  
22mm (20mm rod)



## ROD MOUNTS WITH TABS

**Material:** rod mounts eyebolt and washer are in stainless steel, knob in polyamide with nickel plated brass insert.

Code	Ref.	For rod Ø (mm)	
<b>13S00150</b>	VG-641-K-12	12-13	n°8
<b>13S00151</b>	VG-641-K-14	14	
<b>13S00153</b>	VG-641-K-58	16	
<b>13S00152</b>	VG-641-K-20	20	

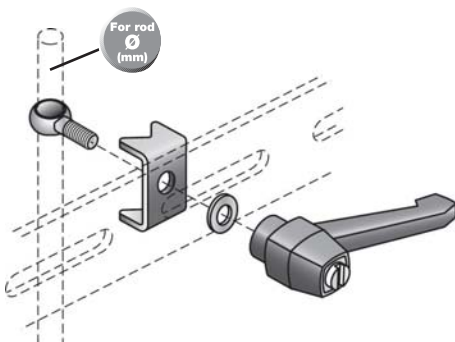


## ROD MOUNTS WITH TABS

**Material:** all components are in stainless steel.

Code	Ref.	For rod Ø (mm)	
<b>13S00154</b>	VG-641-N-12	12-13	n°8
<b>13S00155</b>	VG-641-N-14	14	
<b>13S00157</b>	VG-641-N-58	16	
<b>13S00156</b>	VG-641-N-20*	20*	

\* Ø20 version can be converted to SpeedSet brackets.



## ROD MOUNTS WITH TABS

**Material:** rod mounts, eyebolt and washer in stainless steel, knob in polyamide with nickel plated brass insert.

Code	Ref.	For rod Ø (mm)	
<b>13S00158</b>	VG-641-R-12	12-13	n°8
<b>13S00159</b>	VG-641-R-14	14	
<b>13S00161</b>	VG-641-R-58	16	
<b>13S00160</b>	VG-641-R-20	20	

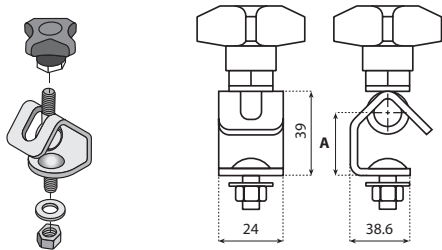
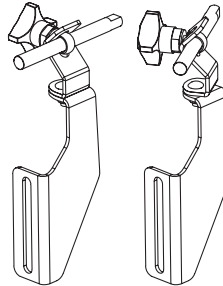
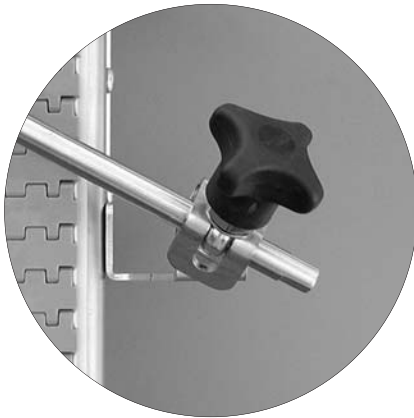
# Stainless steel swivel caps

 Preferred type, readily available (codes marked in red)

**SS 304**  
AISI 304  
Stainless steel


**PA**  
Polyamide

  
Heavy duty



## ROTATING TOP FOR STAINLESS STEEL BRACKET


**Material:** body in stainless steel, eyebolt and washer in stainless steel, knob in polyamide with nickel plated brass insert.

Code	Ref.	A	For rod Ø (mm)	
<b>13S00017</b>	VG-213R-TOP-12	29	12-13	n°8
<b>13S00018</b>	VG-213R-TOP-14	27.5	14	
<b>13S00019</b>	VG-213R-TOP-58	26	16	
<b>13S00074</b>	VG-213R-TOP-20	24	20*	

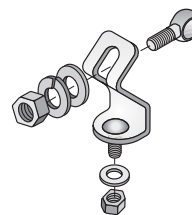
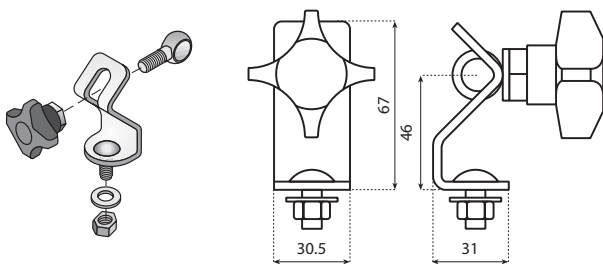
\* Ø20 versions can be converted to SpeedSet brackets.

## ROTATING TOP WITH NUT FASTENER FOR STAINLESS STEEL BRACKETS

**Material:** body and hardware in stainless steel.

Code	Ref.	A	For rod Ø (mm)	
<b>13S00014</b>	VG-213RN-TOP-12	29	12-13	n°8
<b>13S00073</b>	VG-213RN-TOP-14	27.5	14	
<b>13S00016</b>	VG-213RN-TOP-58	26	16	
<b>13S00015</b>	VG-213RN-TOP-20	24	20*	


\* Ø20 versions can be converted to SpeedSet brackets.



## ROTATING TOP FOR HEAVY DUTY STAINLESS STEEL BRACKET

**Material:** body in stainless steel, eyebolt and washer in stainless steel, knob in polyamide with nickel plated brass insert.

**Characteristics:** Heavy duty


Code	Ref.	For rod Ø (mm)	
<b>13S00069</b>	VG-223R-TOP-12	12-13	n°8
<b>13S00070</b>	VG-223R-TOP-14	14	
<b>13S00072</b>	VG-223R-TOP-58	16	
<b>13S00071</b>	VG-223R-TOP-20	20*	

\* Ø20 versions can be converted to SpeedSet brackets.

## ROTATING TOP WITH NUT FASTENER FOR HEAVY DUTY STAINLESS STEEL BRACKET

**Material:** body and hardware in stainless steel.

**Characteristics:** Heavy duty

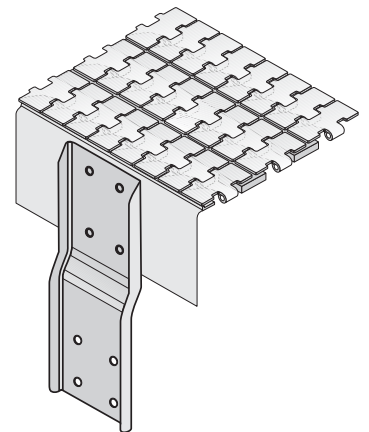
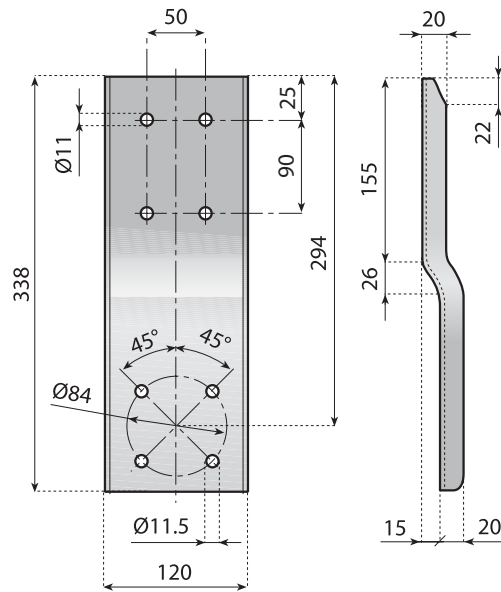
Code	Ref.	For rod Ø (mm)	
<b>13S00065</b>	VG-223RN-TOP-12	12-13	n°8
<b>13S00066</b>	VG-223RN-TOP-14	14	
<b>13S00068</b>	VG-223RN-TOP-58	16	
<b>13S00067</b>	VG-223RN-TOP-20	20*	

\* Ø20 versions can be converted to SpeedSet brackets.

# Stainless steel components

Preferred type, readily available (codes marked in red)

**SS 304**  
AISI 304  
Stainless steel



## SIDE MOUNTING BRACKET

**Thickness:**  $S = 3$  mm.  
**Surface:** tumbling finish.  
**Use:** connects and supports conveyor frames.

Code

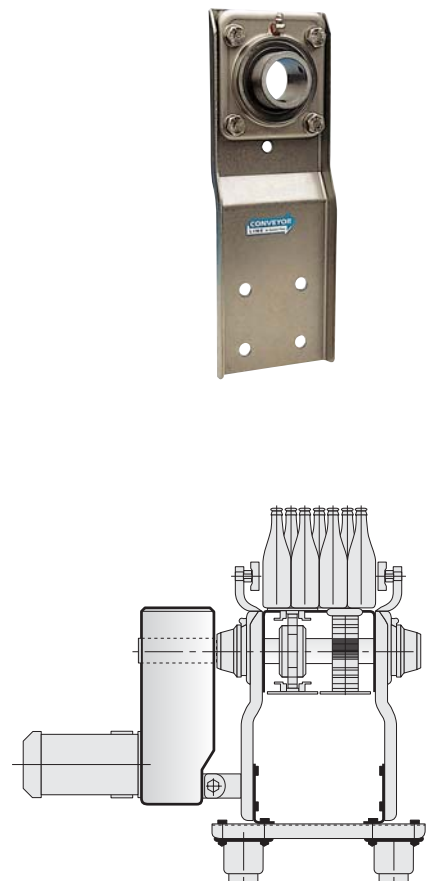
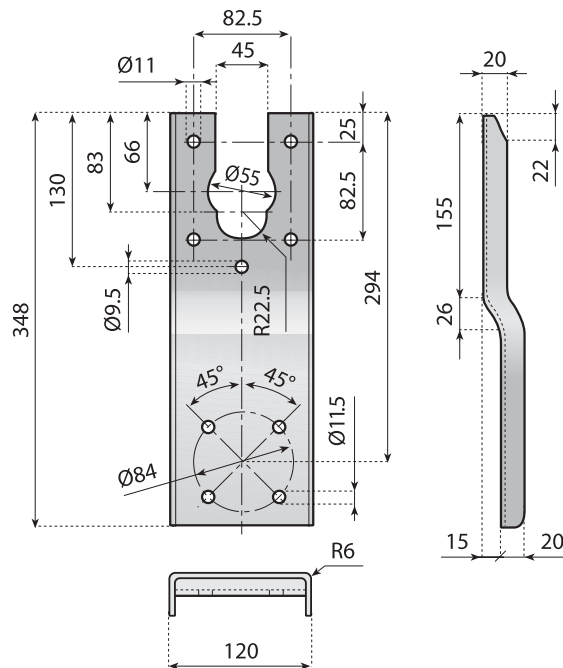
**13812**



-

n°10

SS  
AISI 304



## SIDE MOUNTING BRACKET

**Thickness:**  $S = 3$  mm.  
**Surface:** tumbling finish.  
**Use:** location of stainless steel bearing support on conveyor frames.

Code

**13813**



-

n°10

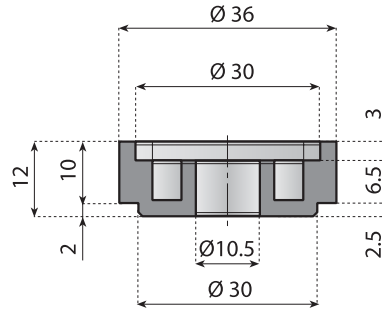
SS  
AISI 304

# Adjustable heads and spacer

 Preferred type, readily available (codes marked in red)



Reinforced polyamide



SPACER FOR ADJUSTABLE HEADS

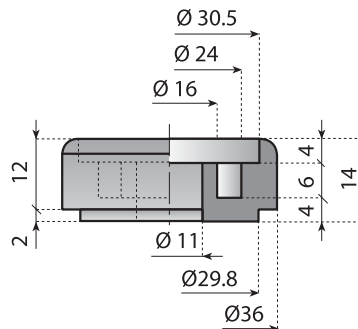
Code



**13752**

-

PA-FG



SPACER FOR ADJUSTABLE HEADS

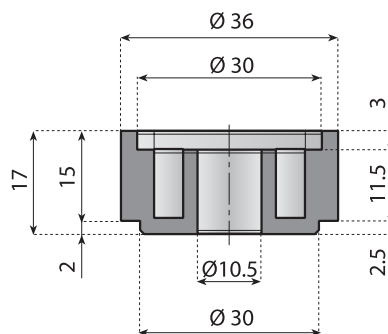
Code



**13753**

-

PA-FG



SPACER FOR ADJUSTABLE HEADS

Code



**13758**

-

PA-FG

# Adjustable heads



Preferred type, readily available (codes marked in red)



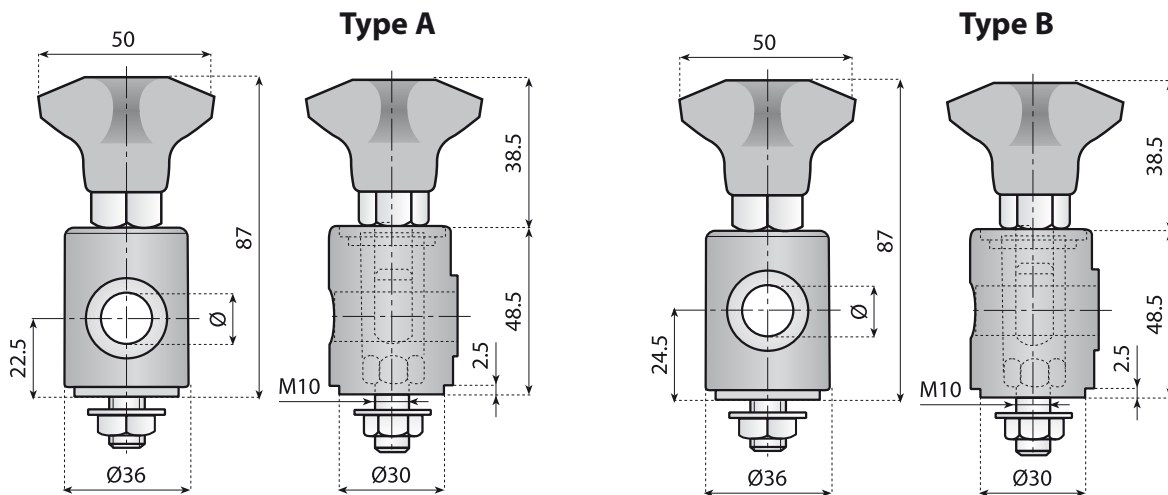
AISI 304  
Stainless steel



Polyamide



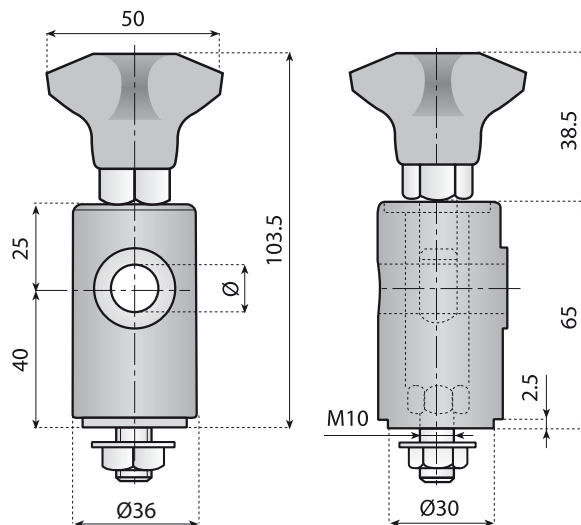
Accessories



## ADJUSTABLE HEAD WITH KNOB

**Material:** reinforced polyamide, eyebolt, screw, washer in stainless steel AISI 304, nut and hexagonal bushing in nickel plated brass.

Code		Type	For rod Ø (mm)	
Head with knob	Head without knob			
<b>13037V</b>	<b>13037</b>	A	12	
<b>13038V</b>	<b>13038</b>	A	14	
<b>13039V</b>	<b>13039</b>	A	16	n°50
<b>13999V</b>	<b>13999</b>	B	19	
<b>13988V</b>	<b>13988</b>	B	20	

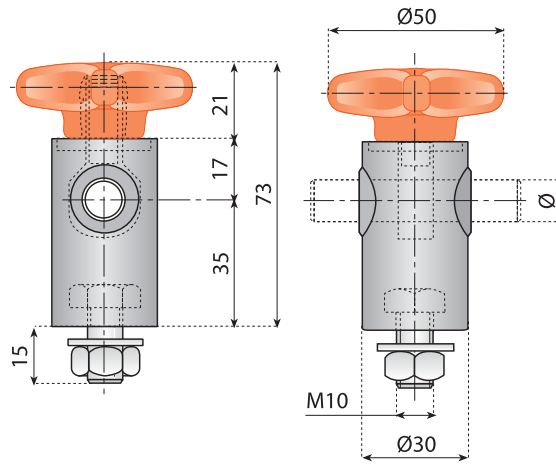


## ADJUSTABLE HEAD WITH KNOB NEW TALLER VERSION

**Material:** reinforced polyamide, eyebolt, screw, nut and washer in stainless steel AISI 304, hexagonal bushing in nickel plated brass.

Code		Type	For rod Ø (mm)	
Head with knob	Head without knob			
<b>13781V</b>	<b>13781</b>		12	
<b>13782V</b>	<b>13782</b>		14	n°50
<b>13783V</b>	<b>13783</b>		16	

# Adjustable heads



AISI 304  
Stainless steel



Nickel plated brass



Polyamide

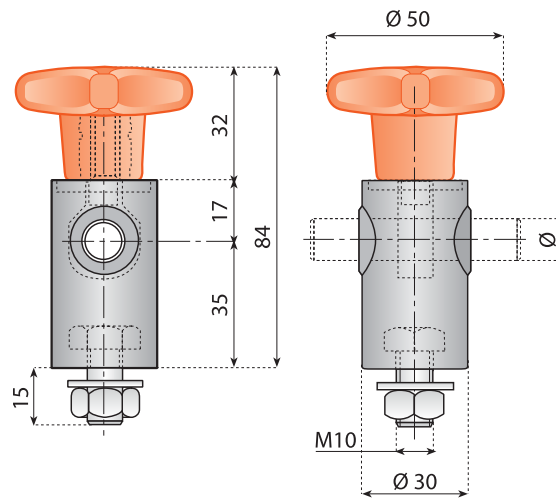


Accessories

## QUICK POSITIONING ADJUSTABLE HEADS

**Material:** housing in reinforced polyamide; bolts and hardware in stainless steel; knobs in reinforced polyamide with brass bushing.

Code	For rod Ø (mm)	
13296V	12	n°50
13297V	14	



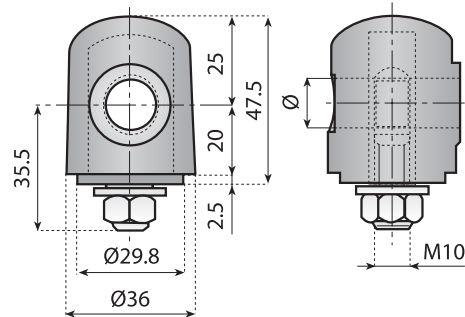
## QUICK POSITIONING ADJUSTABLE HEADS

**Material:** housing in reinforced polyamide; bolts and hardware in stainless steel; knobs in reinforced polyamide with brass bushing.

Code	For rod Ø (mm)	
13296VA	12	n°50
13297VA	14	

# Adjustable heads

Preferred type, readily available (codes marked in red)



AISI 304  
Stainless steel



Nickel plated brass



Polyamide

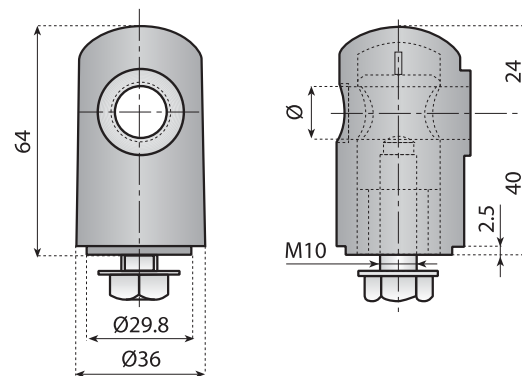


Accessories

## ADJUSTABLE HEAD

**Material:** reinforced polyamide; eyebolt, nut and washer in stainless steel AISI 304.

Code	For rod Ø (mm)	
<b>13028</b>	12	
<b>13029</b>	14	n°50
<b>13030</b>	16	



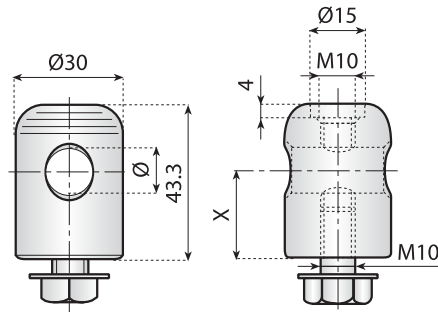
## ADJUSTABLE HEAD

**Material:** head in reinforced polyamide, Insert in nickel plated brass, screw and washer in stainless steel AISI 304.

Code	For rod Ø (mm)	
<b>13017</b>	12	
<b>13018</b>	14	n°50
<b>13016</b>	16	

# Adjustable heads

 Preferred type, readily available (codes marked in red)



Code	Head material	X	For rod Ø (mm)	
<b>13031</b>	Nickel	24.5	12	
<b>13032</b>	plated brass	23.5	14	n°50
<b>13033</b>		22.5	16	
<b>13034</b>	Stainless steel	24.5	12	
<b>13035</b>	AISI 304	23.5	14	n°50
<b>13036</b>		22.5	16	

## ADJUSTABLE HEAD

**Material:** screws and washer in stainless steel AISI 304; head as in the table.



AISI 304  
Stainless steel



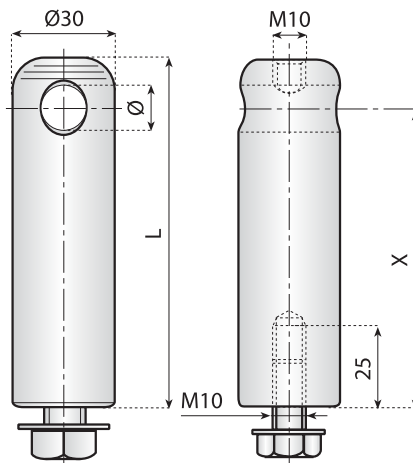
Nickel plated brass



Polyamide



Accessories



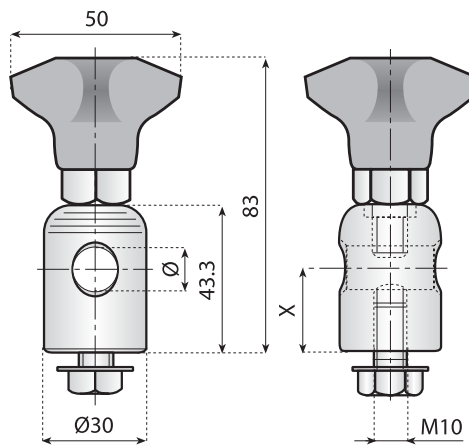
Code	L	X	For rod Ø (mm)	
<b>13121</b>	55	40		
<b>13124</b>	75	60	12	n°50
<b>13127</b>	105	90		
<b>13130</b>	145	130		
<b>13122</b>	56	40		
<b>13125</b>	76	60	14	n°50
<b>13128</b>	106	90		
<b>13131</b>	146	130		
<b>13123</b>	57	40		
<b>13126</b>	77	60	16	n°50
<b>13129</b>	107	90		
<b>13132</b>	147	130		

## ADJUSTABLE HEAD

**Material:** screws and heads in stainless steel AISI 304.

# Adjustable heads

Preferred type, readily available (codes marked in red)



Code	Head material	X	For rod Ø (mm)	
<b>13031V</b>	Nickel plated brass	24.5	12	n°50
<b>13032V</b>		23.5	14	
<b>13033V</b>		22.5	16	
<b>13034V</b>	Stainless steel AISI 304	24.5	12	n°50
<b>13035V</b>		23.5	14	
<b>13036V</b>		22.5	16	

## ADJUSTABLE HEAD WITH KNOB

**Material:** screws and washer in stainless steel AISI 304, head as in the table, knob in polyamide with hexagonal bushing in nickel plated brass.



AISI 304  
Stainless steel



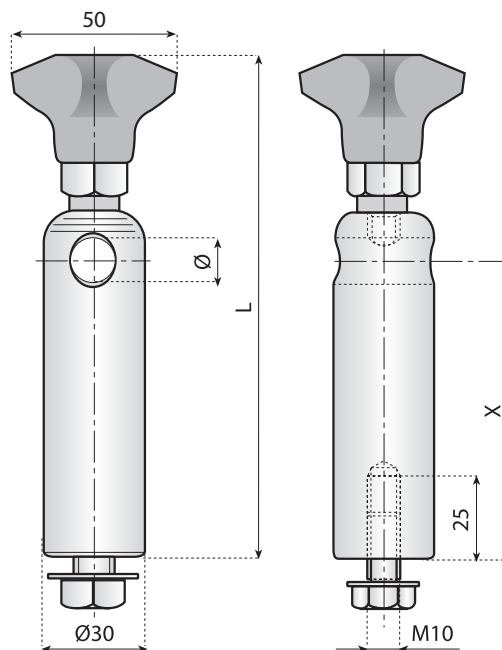
Nickel plated brass



Polyamide



Accessories



Code	L	X	For rod Ø (mm)	
<b>13121V</b>	100	40	12	n°50
<b>13124V</b>	120	60		
<b>13127V</b>	150	90		
<b>13130V</b>	190	130	14	n°50
<b>13122V</b>	101	40		
<b>13125V</b>	121	60		
<b>13128V</b>	151	90	16	n°50
<b>13131V</b>	191	130		
<b>13123V</b>	192	40		
<b>13126V</b>	122	60	16	n°50
<b>13129V</b>	152	90		
<b>13132V</b>	192	130		

## ADJUSTABLE HEAD WITH KNOB

**Material:** screws and washer in stainless steel AISI 304, knob in polyamide with hexagonal bushing in nickel plated brass.

# Quick release adjustable heads

 Preferred type, readily available (codes marked in red)

## QUICK RELEASE ADJUSTABLE HEADS

For fast line changes the new head from System Plast provides simplicity and easy in achieving the accuracy needed in adjusting multiple stations simultaneously.

- This new patented part is perfect for applications where accurate and / or frequent adjustments are required.
- Fits 12-14 mm diameter adjusting rods.
- Corrosion resistance composite components.
- Ergonomic spring loaded design.

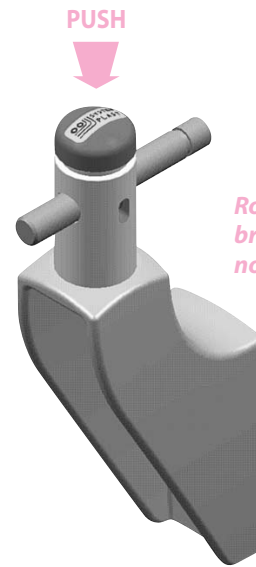
### Components:

- External Housing (polyamide)
- Internal Housing (see the table)
- Closing Cap (polyamide)
- Spring (steel)
- Screw and washer (stainless steel AISI 304)
- Nut (nickel plated brass)

### Advantages:

- Rapid adjustment of guides to accommodate the choice of bottle format.
- Quick and easy maintenance.

**Supply:** assembled.



AISI 304  
Stainless steel



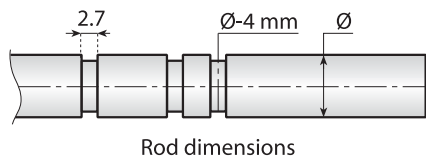
Nickel plated brass




Polyamide

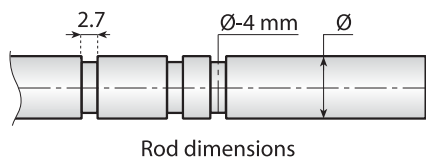
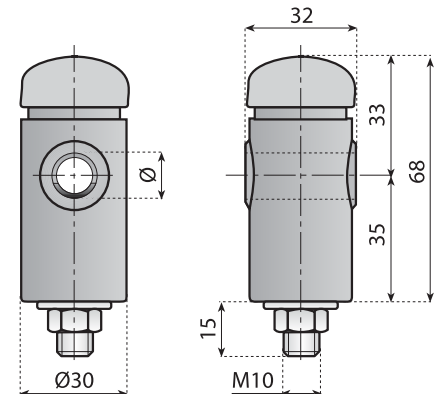


[Accessories](#)




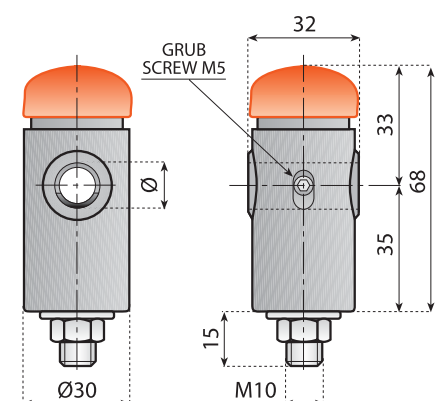
Rod dimensions

Code	Internal block	For rod Ø (mm)	
<b>13300</b>	Reinforced polyamide	12	n°50
<b>13301</b>	Nickel plated brass	14	n°50



Rod dimensions

Code	Internal block	For rod Ø (mm)	
<b>13302FP</b>	Nickel plated brass	12	n°50
<b>13303FP</b>	Nickel plated brass	14	n°50



For a correct use of these products and to get the best performance, please call our engineering experts.

# Dual action adjustable heads



AISI 304  
Stainless steel



Nickel plated brass



Polyamide



[Accessories](#)

## DUAL ACTION ADJUSTABLE HEAD

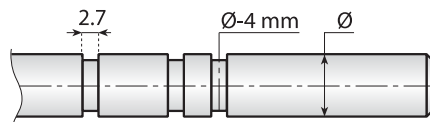
For fast line changes the new Dual Action Head from System Plast provides simplicity and easy in achieving the accuracy needed in adjusting multiple stations simultaneously. By simply rotating the quick release cap, the Dual Action Head is placed in a neutral, non clamping, position. The side guides and other rails can then be moved to the desired location before returning the quick release cap to its locked position.

- This new patented part is perfect for applications where accurate and / or frequent adjustments are required.
- Fits 12-14 mm diameter adjusting rods.
- Corrosion resistance composite components.
- Ergonomic spring loaded design.

### Components:

- External Housing (polyamide)
- Internal Housing (see the table)
- Closing Cap (polyamide)
- Spring (steel)
- Screw and washer (stainless steel AISI 304)
- Nut (nickel plated brass)

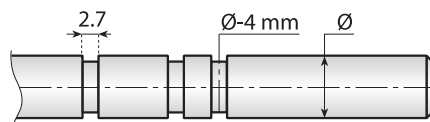
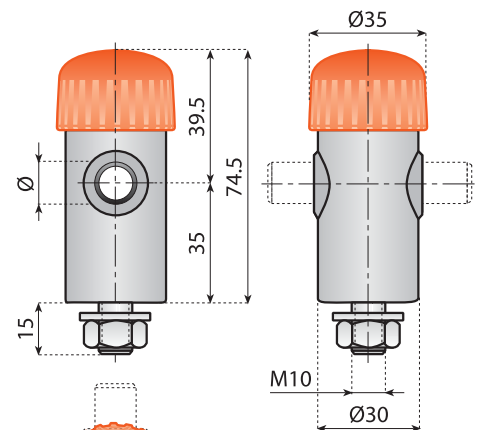
**Supply:** assembled.



Rod dimensions



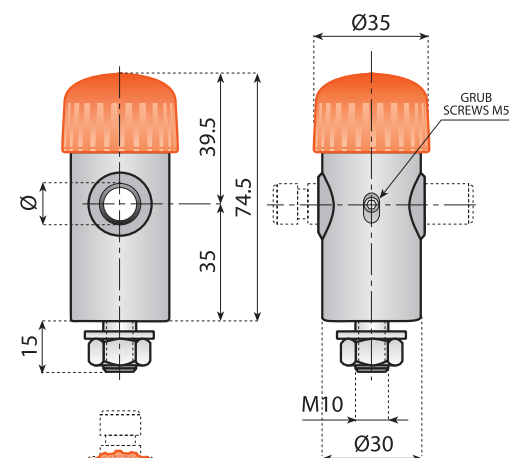
Code	Internal block	For rod Ø (mm)	
13296	Reinforced polyamide	12	n°50
13297	Nickel plated brass	14	n°50
13298	Reinforced polyamide	12	n°50
13299	Nickel plated brass	14	n°50



Rod dimensions



Code	Internal block	For rod Ø (mm)	
13298FP	Reinforced polyamide	12	n°50
13299FP	Nickel plated brass	14	n°50



For a correct use of these products and to get the best performance, please call our engineering experts.

# Spacers

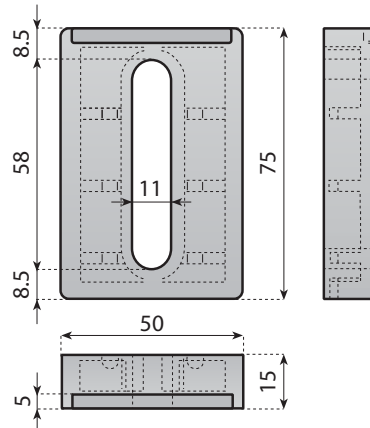
 Preferred type, readily available (codes marked in red)



Reinforced polyamide



Accessories



## SPACER FOR BRACKETS

**Application:** bracket codes:

13692 - 13693 - 13696 - 13697 - 13769 - 13963  
13633 - 13634 - 13635 - 13200 - 13201 - 13208  
13209 - 13210.

Code

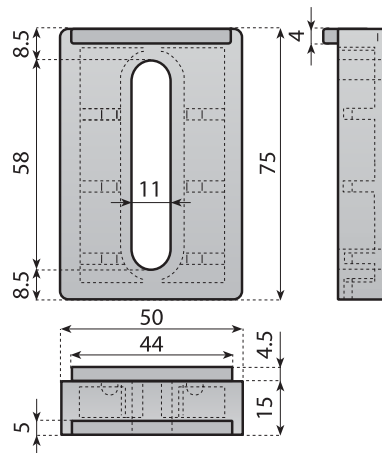


n°50

Material

PA-FG

**13400**



## SPACER FOR BRACKETS

**Application:** bracket codes:

13692 - 13693 - 13696 - 13697 - 13769 - 13632  
13633 - 13634 - 13635 - 13200 - 13201 - 13208  
13209 - 13210 - 13040 - 13041 - 13042 - 13043  
13044 - 13045 - 13046 - 13100 - 13101 - 13102  
13047 - 13048 - 13049.

Code



n°50

Material

PA-FG

**13399**

# Spacers

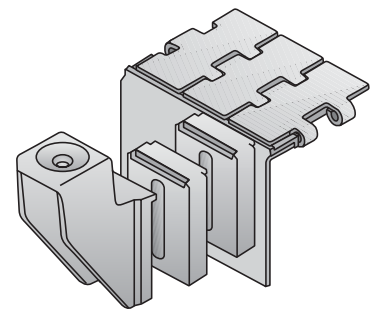
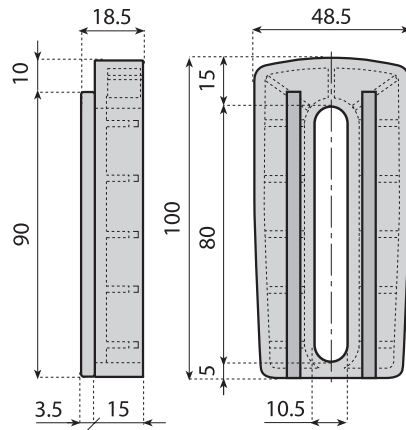
 Preferred type, readily available (codes marked in red)



Reinforced polyamide



Accessories



## SPACER FOR BRACKETS

**Application:** bracket codes:

- 13185 - 13530 - 13531 - 13532 - 13533
- 13534 - 13535 - 13536 - 13537 - 13538
- 13539 - 13540 - 13541 - 13542 - 13543
- 13544 - 13545 - 13546 13547.

Code

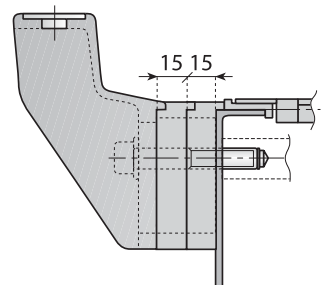
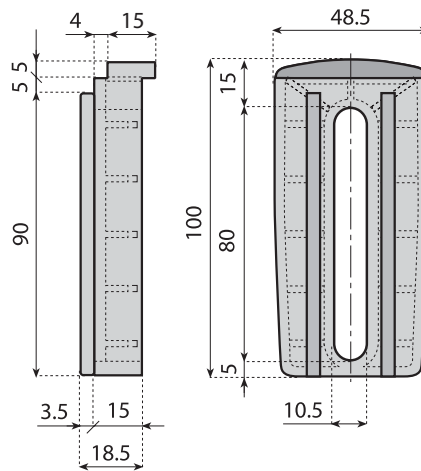


Material

**13187**

n°50

PA-FG



## SPACER FOR BRACKETS

**Application:** bracket codes:

- 13186 - 13580 - 13581 - 13582 - 13583
- 13584 - 13585 - 13586 - 13587 - 13588
- 13589 - 13590 13591 - 13592 - 13593
- 13594 - 13595 - 13596 - 13597.

Code




Material

**13188**

n°50

PA-FG

# Spacers

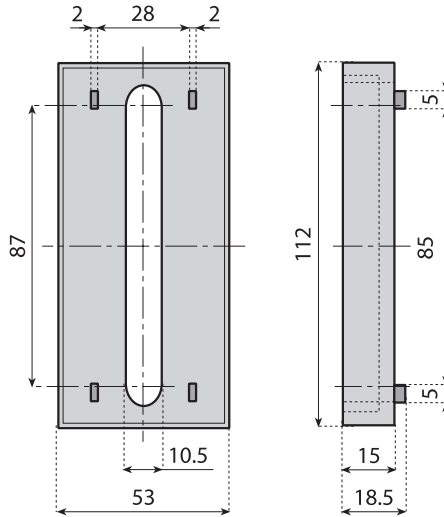
 Preferred type, readily available (codes marked in red)



## SPACER FOR BRACKETS

**Application:** bracket codes:

13020 - 13021 - 13022 - 13023 - 13024  
 13025 - 13026 - 13027 - 13050 - 13051  
 13052 - 13054 - 13055 - 13056 - 13088  
 13089 - 13746 - 13747 - 13748 - 13749  
 13750 - 13751.



Code

**13019**



n°50

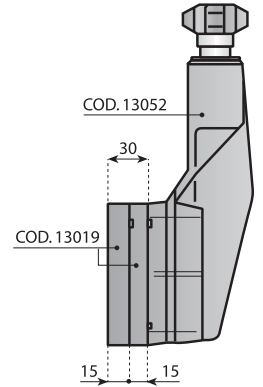


PA-FG

**SS 304**  
 AISI 304  
 Stainless steel

**PA FG**  
 Reinforced  
 polyamide

 208+224  
[Accessories](#)

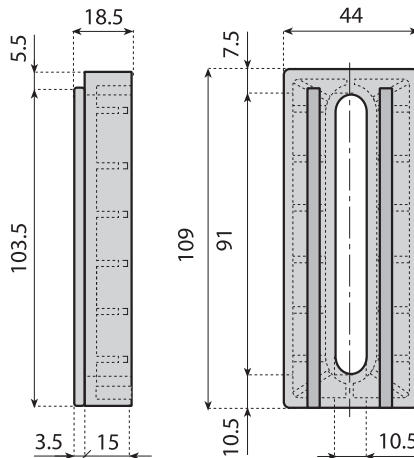


## SPACER FOR BRACKETS

**Material:** reinforced polyamide

**Application:** bracket codes:

13020 - 13021 - 13088 - 13089 - 13847  
 13848 - 13849 - 13054 - 13055 - 13056  
 13886 - 13887 - 13888 - 13749 - 13750  
 13751 - 13746 - 13747 - 13748 - 13025  
 13026 - 13027 - 13022 - 13023 - 13024



Code

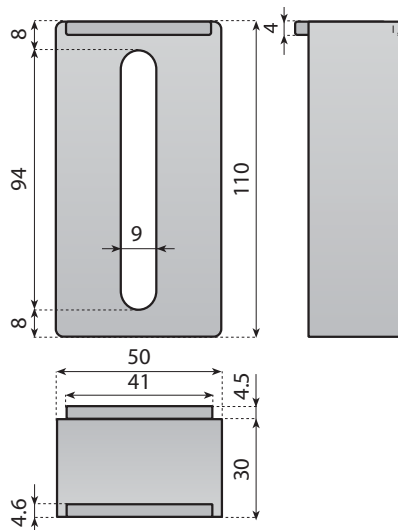
**13189**



n°50



PA-FG



Code

**13198**



n°50



PA-FG

## SPACER FOR BRACKETS

# Drip tray supports



## DRIP TRAY SUPPORTS

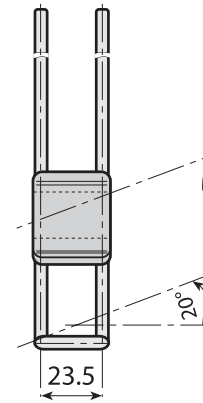
**Material:** metal support in stainless steel AISI 304, clamp in polyamide.

**Accessories:** fixing washer code 13252

**Application:** drip tray supports can be used with the following brackets:

13020 - 13021 - 13022 - 13023 - 13024 - 13025 - 13026 - 13027  
 13050 - 13051 - 13052 - 13054 - 13055 - 13056 - 13088 - 13089  
 13205 - 13206 - 13207 - 13746 - 13747 - 13748 - 13749 - 13750  
 13751 - 13767 - 13768 - 13200 - 13201 - 13692 - 13693 - 13696  
 13697 - 13769 - 13632 - 13633 - 13634 - 13635 - 13208 - 13209  
 13210.

Drip tray supports can also be used with spacers code:  
 13019 - 13399 - 13400.



AISI 304  
Stainless steel

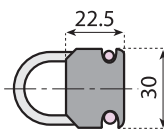
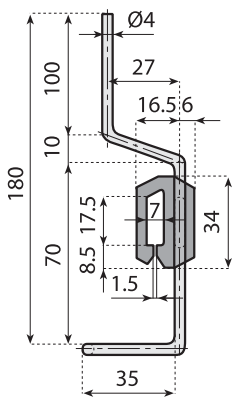


Polyamide



Accessories

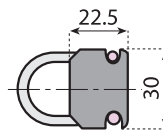
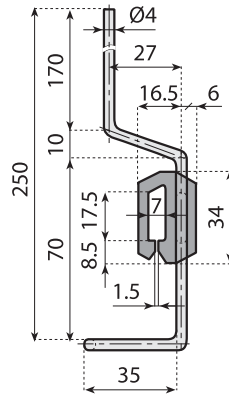
## DRIP TRAY SUPPORTS - AVAILABLE VERSIONS



Code



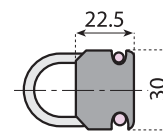
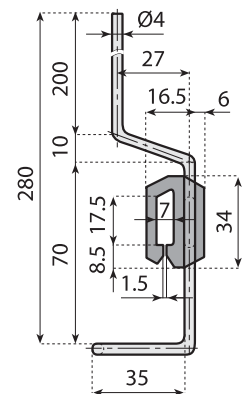
**13250** 184 mm n°50



Code



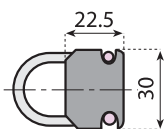
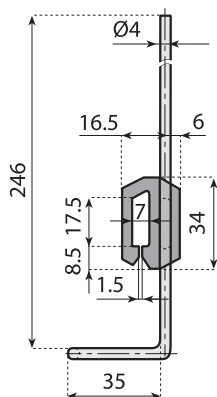
**13253** 254 mm n°50



Code



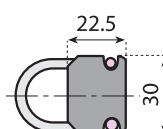
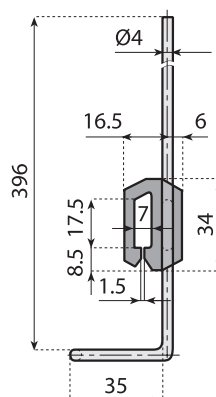
**13254** 284 mm n°50



Code



**13255** 250 mm n°50



Code



**13256** 400 mm n°50

Preferred type, readily available (codes marked in red)

# Drip tray supports



## DRIP TRAY SUPPORTS

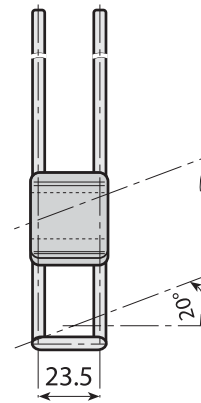
**Material:** metal support in stainless steel AISI 304, clamp in polyamide.

**Accessories:** fixing washer code 13252

**Application:** drip tray supports can be used with the following brackets:

13020 - 13021 - 13022 - 13023 - 13024 - 13025 - 13026 - 13027  
 13050 - 13051 - 13052 - 13054 - 13055 - 13056 - 13088 - 13089  
 13205 - 13206 - 13207 - 13746 - 13747 - 13748 - 13749 - 13750  
 13751 - 13767 - 13768 - 13200 - 13201 - 13692 - 13693 - 13696  
 13697 - 13769 - 13632 - 13633 - 13634 - 13635 - 13208 - 13209  
 13210.

Drip tray supports can also be used with spacers code:  
 13019 - 13399 - 13400.



304 Stainless steel

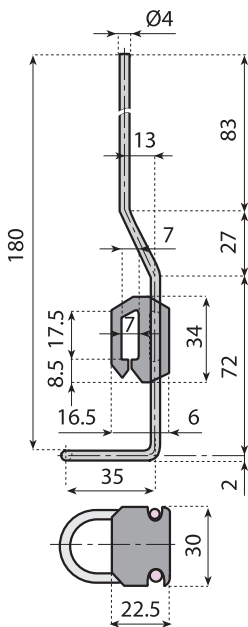


Polyamide



Accessories

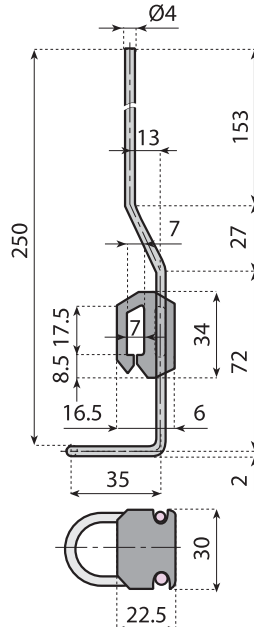
## DRIP TRAY SUPPORTS - AVAILABLE VERSIONS



Code

184 mm

n°50



Code

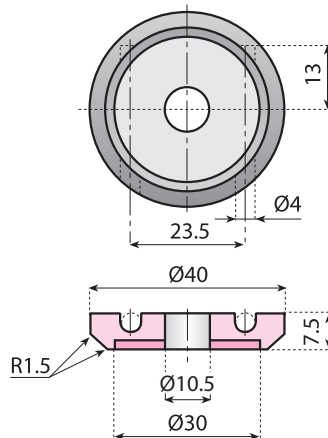
254 mm

n°50



## FIXING WASHER

**Material:** polyamide, washer in stainless steel AISI 304.

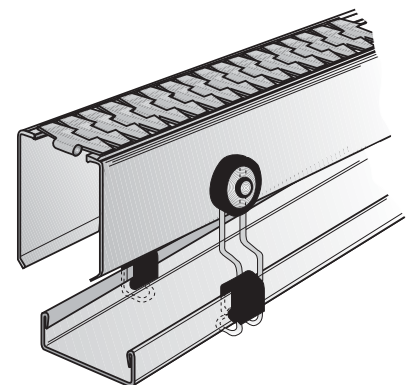


Code

13252

n°50

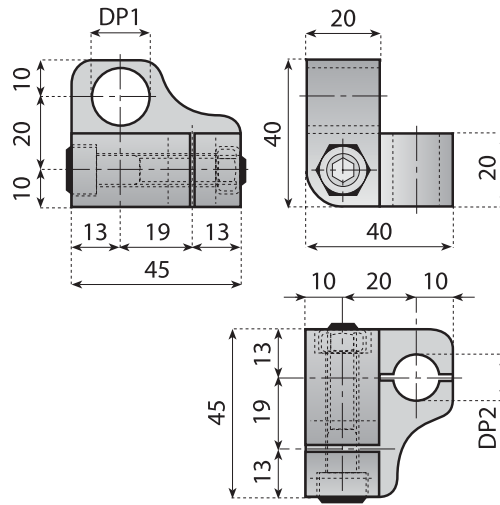
**Preferred type, readily available (codes marked in red)**





**Connecting clamps**

# Single action two way cross block



AISI 304  
Stainless steel



Reinforced  
polyamide



Accessories



## SINGLE ACTION TWO WAY CROSS BLOCK

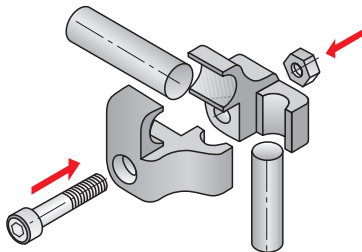
**Feature:** the special design provides a means for rapid adjustment of both vertical and horizontal side rail positions with the release of a single bolt or knob.

**Material:** reinforced polyamide, screws in stainless steel AISI 304.

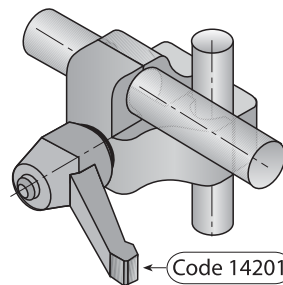
**Supply:** assembled.

Code	DP1	DP2	
13135	12	12	
13139	14	14	n°50
13144	16	16	

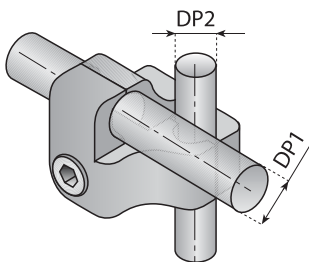
Example application



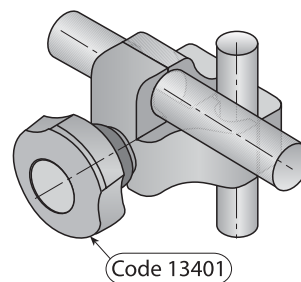
Adjustment with ratchet handle code 14201



Adjustment with bolts



Adjustment with knob code 13401



# Positive action cross block

Preferred type, readily available (codes marked in red)



AISI 304  
Stainless steel



Reinforced  
polyamide



Zinc plated steel



Accessories

## EXAMPLE APPLICATION



### POSITIVE ACTION CROSS BLOCK

**Material:** reinforced polyamide.

**Use:** rod  $\varnothing$  12 mm.

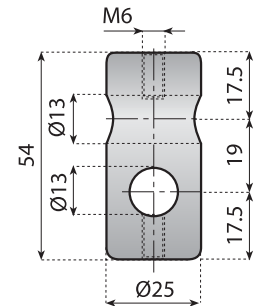
Code

**13180**

Without screws



n°100



### POSITIVE ACTION CROSS BLOCK WITH SCREWS

**Material:** reinforced polyamide, screws in stainless steel.

**Supply:** assembled.

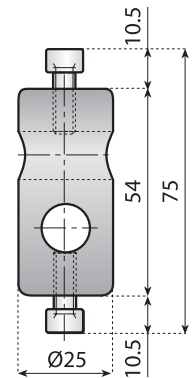
Code

**13181**

With screws



n°100



### POSITIVE ACTION CROSS BLOCK WITH STAR KNOBS

**Material:** reinforced polyamide, knobs in polyamide with stainless steel insert.

**Use:** rod  $\varnothing$  12 mm.

**Supply:** assembled.

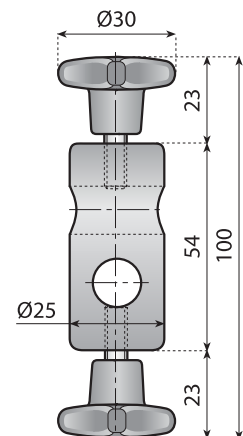
Code

**13182**

With star knobs



n°100



### POSITIVE ACTION CROSS BLOCK WITH KNOBS

**Material:** reinforced polyamide, knobs in polyamide with zinc plated steel insert.

**Use:** rod  $\varnothing$  12 mm.

**Supply:** assembled.

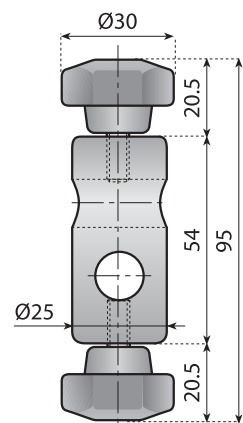
Code

**13183**

With knobs

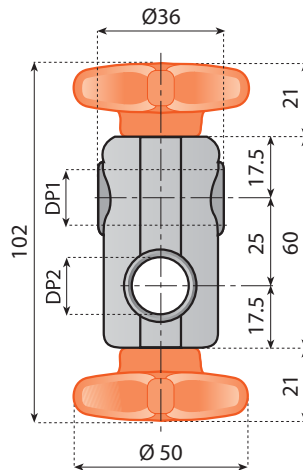


n°100



# Quick positioning cross block

 Preferred type, readily available (codes marked in red)



AISI 304  
Stainless steel



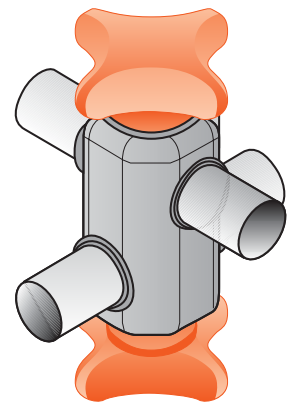
Nickel plated brass



Reinforced polyamide



[Accessories](#)




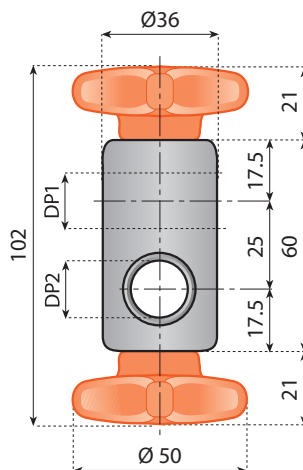
## QUICK RELEASE CROSS BLOCK

**Material:** housing in reinforced polyamide, hardware in stainless steel, knobs in polyamide with bushings in nickel plated brass.

**Features:** it connects two round rods at 90°. Each side of the cross block can be quickly adjusted by loosening the hand knob.

**Supply:** assembled.

Code	DP1	DP2	
<b>13316</b>	12	12	n°50
<b>13317</b>	12	14	
<b>13318</b>	12	16	
<b>13319</b>	14	14	
<b>13320</b>	14	16	
<b>13321</b>	16	16	




## QUICK RELEASE CROSS BLOCK

**Material:** body in stainless steel, hardware in stainless steel, knobs in polyamide with bushings in nickel plated brass.

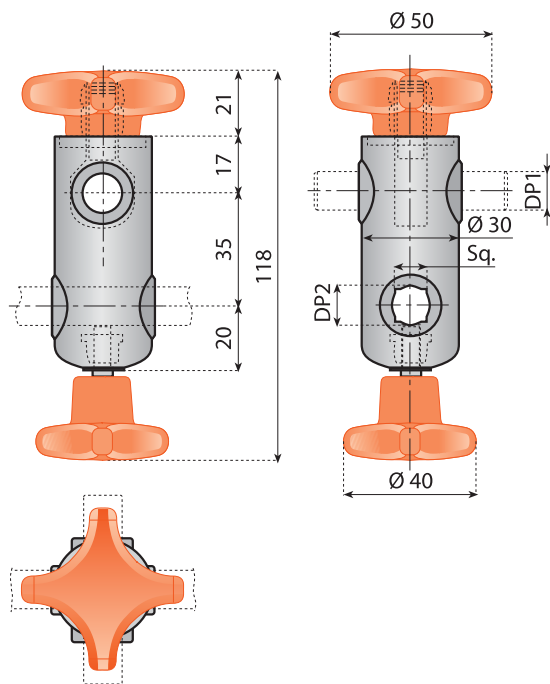
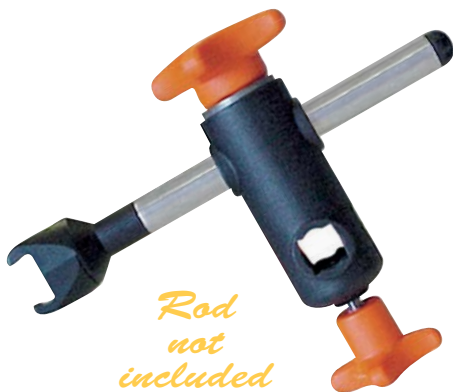
**Features:** it connects two round rods at 90°. Each side of the cross block can be quickly adjusted by loosening the hand knob.

**Supply:** assembled.

Code		DP1	DP2	
with knobs colour				
Orange	Black			n°50
<b>13360V</b>	<b>13360VN</b>	12	12	
<b>13361V</b>	<b>13361VN</b>	12	14	
<b>13362V</b>	<b>13362VN</b>	12	16	
<b>13363V</b>	<b>13363VN</b>	14	14	
<b>13364V</b>	<b>13364VN</b>	14	16	
<b>13365V</b>	<b>13365VN</b>	16	16	

# Quick positioning cross block

Preferred type, readily available (codes marked in red)



**SS 304**

AISI 304  
Stainless steel

**NPB**

Nickel plated brass

**PA FG**

Reinforced polyamide

308 → 314

Accessories

## CROSS BLOCK WITH KNOBS

### Components:

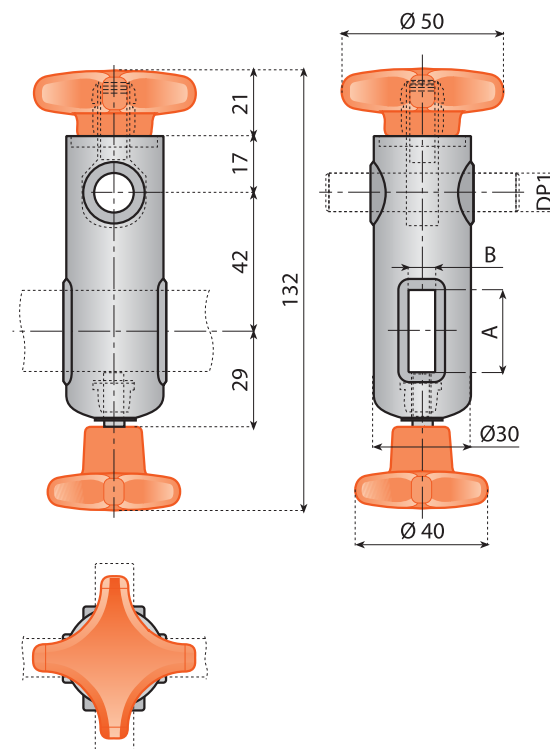
- Housing in reinforced polyamide.
- Washer and hardware in stainless steel.
- Knobs in reinforced polyamide with one threaded insert in stainless steel and one brass bushing.

### Features:

- Connects two round rods or one round rod with square bar at 90°.
- Each side of the cross block can be quickly adjusted by loosening the hand knob.

**Supply:** assembled.

Code	DP1	DP2		n°50
		●	■	
<b>13310V</b>	12	12	10	
<b>13311V</b>	12	14	12	
<b>13322V</b>	14	12	10	
<b>13312V</b>	14	14	12	



## CROSS BLOCK WITH KNOBS

### Components:

- Housing in reinforced polyamide.
- Washer and hardware in stainless steel.
- Knobs in reinforced polyamide with one threaded insert in stainless steel and one brass bushing.

### Features:

- Connects one round rod with flat bar at 90°.
- Each side of the cross block can be quickly adjusted by loosening the hand knob.

**Supply:** assembled.

Code	DP1	FLAT BAR		n°50
		A x B		
<b>13260V</b>	12	25 x 8		
<b>13261V</b>	14	25 x 8		
<b>13262V</b>	12	25 x 6		
<b>13263V</b>	14	25 x 6		

# Dual action cross block

 Preferred type, readily available (codes marked in red)

## DUAL ACTION CROSS BLOCK

**Features:** for fast line changes the new System Plast Dual Action Cross Block provides simplicity and easy in achieving the accuracy needed in adjusting multiple stations simultaneously. By simply rotating the quick release cap, the Dual Action Cross Block is placed in a neutral, non clamping, position.

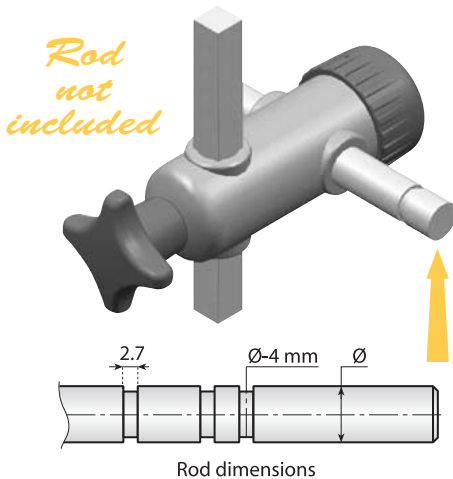
The side guides and other rails can then be moved to the desired location before returning the quick release cap to its locked position.


- This new patented part is perfect for applications where accurate and / or frequent adjustments are required.
- Fits 12-14 mm diameter adjusting rods.
- Corrosion resistance composite components.
- Ergonomic spring loaded design.

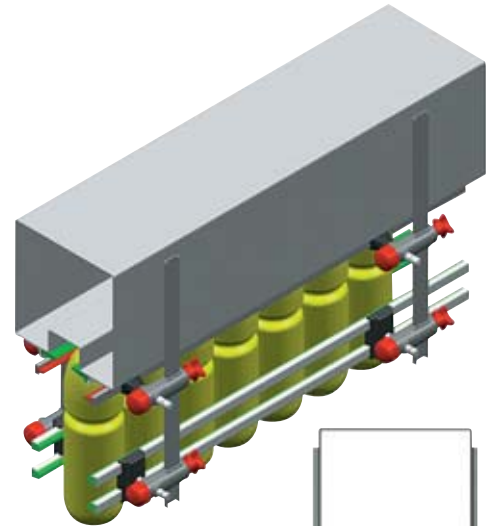
### Components:

- External Housing (polyamide).
- Internal Housing (see the table).
- Closing Cap (polyamide).
- Spring (steel).
- Knob (polyamide with threaded insert in stainless steel).
- Threaded insert (nickel plated brass).

**Supply:** assembled.

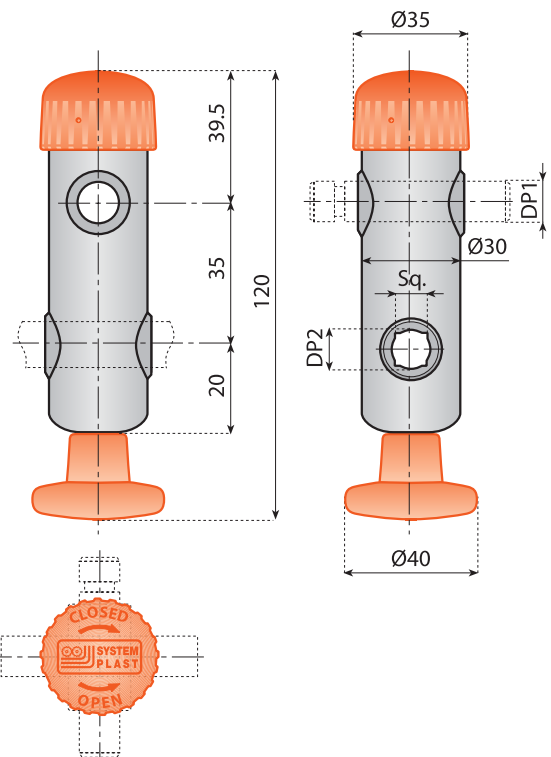
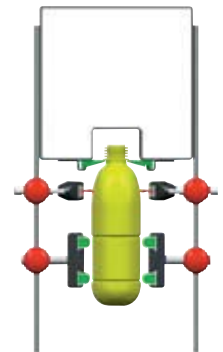


Code	Internal block	DP1	DP2		
			●	■	
<b>13310</b>		12	12	10	
<b>13311</b>	Reinforced polyamide	12	14	12	n°50
<b>13322</b>		14	12	10	
<b>13312</b>		14	14	12	
<b>13313</b>		12	12	10	
<b>13314</b>	Nickel plated brass	12	14	12	n°50
<b>13323</b>		14	12	10	
<b>13315</b>		14	14	12	



### Advantages:

- Rapid adjustment of guides to accommodate the choice of bottle format.
- Quick and easy maintenance.



For a correct use of these products and to get the best performance, please call our engineering experts.

# Dual action cross block fine positioning version



AISI 304  
Stainless steel

Nickel plated brass

Reinforced  
polyamide

[Accessories](#)

## DUAL ACTION CROSS BLOCK

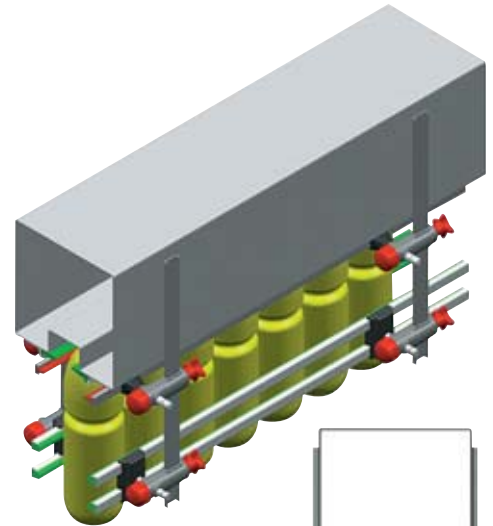
**Features:** for fast line changes the new System Plast Dual Action Cross Block provides simplicity and easy in achieving the accuracy needed in adjusting multiple stations simultaneously. By simply rotating the quick release cap, the Dual Action Cross Block is placed in a neutral, non clamping, position. The side guides and other rails can then be moved to the desired location before returning the quick release cap to its locked position.

- This new patented part is perfect for applications where accurate and / or frequent adjustments are required.
- Fits 12-14 mm diameter adjusting rods.
- Corrosion resistance composite components.
- Ergonomic spring loaded design.

### Components:

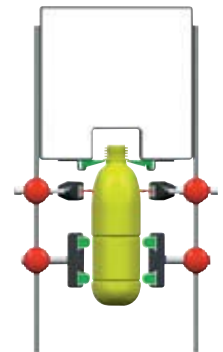
- External Housing (polyamide)
- Internal Housing (see the table)
- Closing Cap (polyamide)
- Spring (steel)
- Knob (polyamide with threaded insert in stainless steel).
- Threaded insert (nickel plated brass).

**Supply:** assembled.

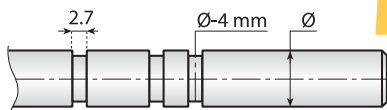
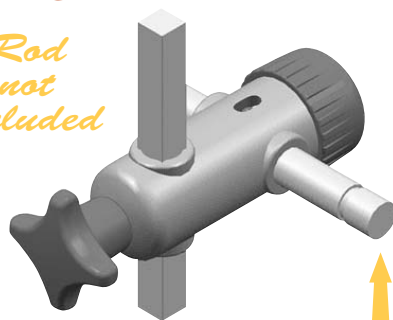


### Advantages:

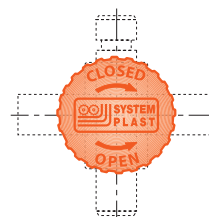
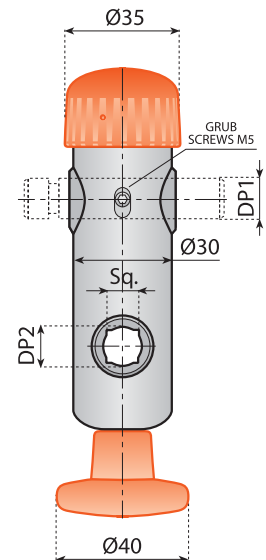
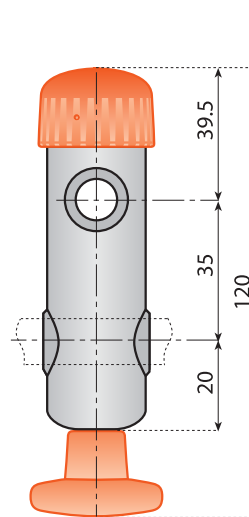
- Rapid adjustment of guides to accommodate the choice of bottle format.
- Quick and easy maintenance.



Rod  
not  
included



Rod dimensions



Code	Internal block	DP1	DP2		n°50
			●	■	
13313FP		12	12	10	n°50
13314FP	Nickel	12	14	12	
13323FP	plated brass	14	12	10	
13315FP		14	14	12	

For a correct use of these products and to get the best performance, please call our engineering experts.

# Dual action cross block (for flat bar)

 Preferred type, readily available (codes marked in red)



AISI 304  
Stainless steel



Nickel plated brass



Reinforced  
polyamide



[Accessories](#)

## DUAL ACTION CROSS BLOCK

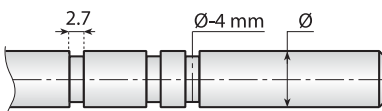
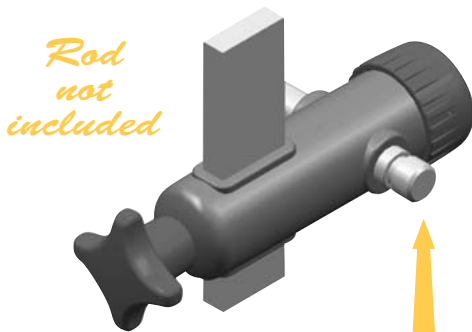
**Features:** for fast line changes the new System Plast Dual Action Cross Block provides simplicity and easy in achieving the accuracy needed in adjusting multiple stations simultaneously. By simply rotating the quick release cap, the Dual Action Cross Block is placed in a neutral, non clamping, position. The side guides and other rails can then be moved to the desired location before returning the quick release cap to its locked position.

- This new patented part is perfect for applications where accurate and / or frequent adjustments are required.
- Fits 12-14 mm diameter adjusting rods.
- Corrosion resistance composite components.
- Ergonomic spring loaded design.

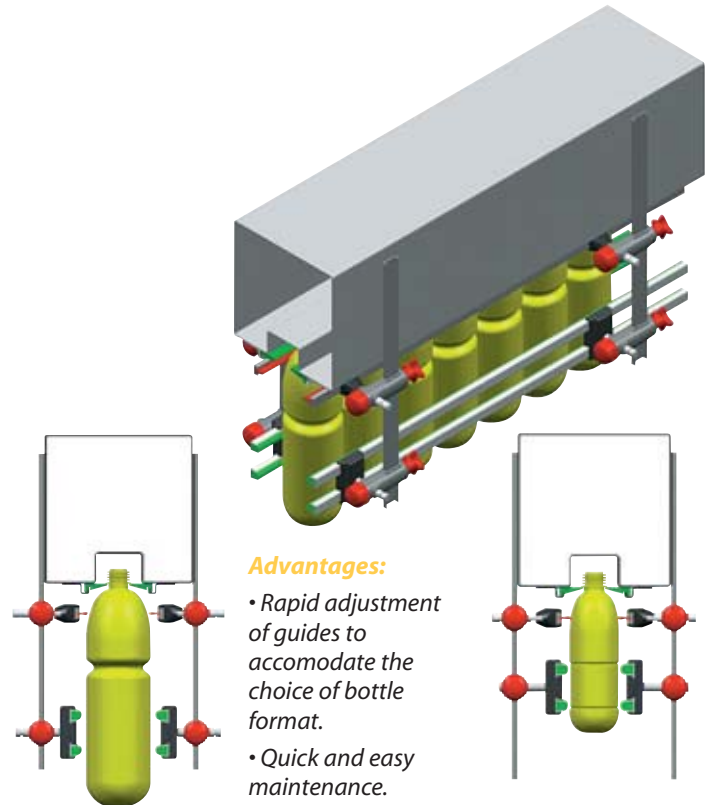
### Components:

- External Housing (polyamide)
- Internal Housing (see the table)
- Closing Cap (polyamide)
- Spring (steel)
- Knob (polyamide with threaded insert in stainless steel).
- Threaded insert (nickel plated brass).

**Supply:** assembled.

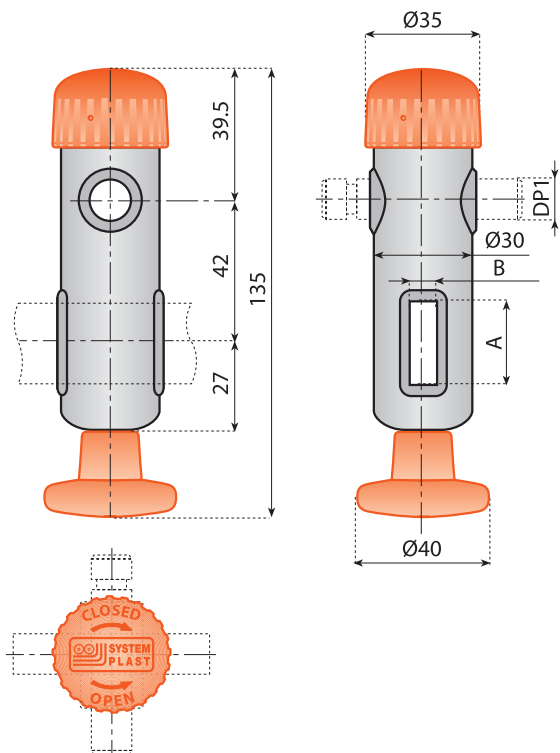


Rod dimensions

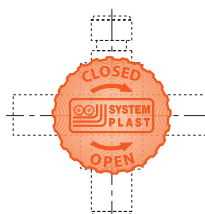


### Advantages:

- Rapid adjustment of guides to accommodate the choice of bottle format.
- Quick and easy maintenance.



Code	Internal block	DP1	Flat bar A x B	
<b>13260</b>		12	25 x 8	
<b>13261</b>	Reinforced polyamide	14	25 x 8	n°50
<b>13262</b>		12	25 x 6	
<b>13263</b>		14	25 x 6	
<b>13264</b>		12	25 x 8	
<b>13265</b>	Nickel	14	25 x 8	n°50
<b>13266</b>	plated brass	12	25 x 6	
<b>13267</b>		14	25 x 6	



For a correct use of these products and to get the best performance, please call our engineering experts.

# Dual action cross block fine positioning version (for flat bar)



AISI 304  
Stainless steel



Nickel plated brass



Reinforced polyamide



[Accessories](#)

## DUAL ACTION CROSS BLOCK

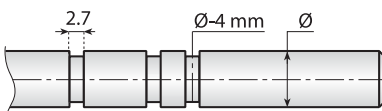
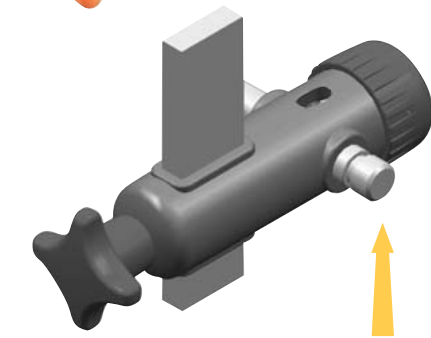
**Features:** for fast line changes the new System Plast Dual Action Cross Block provides simplicity and easy in achieving the accuracy needed in adjusting multiple stations simultaneously. By simply rotating the quick release cap, the Dual Action Cross Block is placed in a neutral, non clamping, position. The side guides and other rails can then be moved to the desired location before returning the quick release cap to its locked position.

- This new patented part is perfect for applications where accurate and / or frequent adjustments are required.
- Fits 12-14 mm diameter adjusting rods.
- Corrosion resistance composite components.
- Ergonomic spring loaded design.

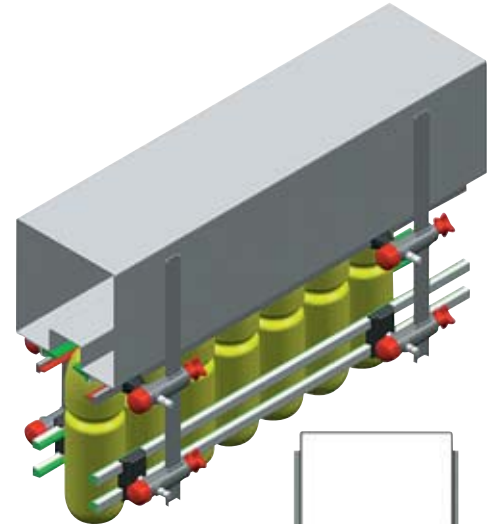
### Components:

- External Housing (polyamide)
- Internal Housing (see the table)
- Closing Cap (polyamide)
- Spring (steel)
- Knob (polyamide with threaded insert in stainless steel)
- Threaded insert (nickel plated brass).

**Supply:** assembled.

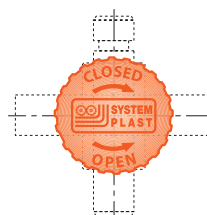
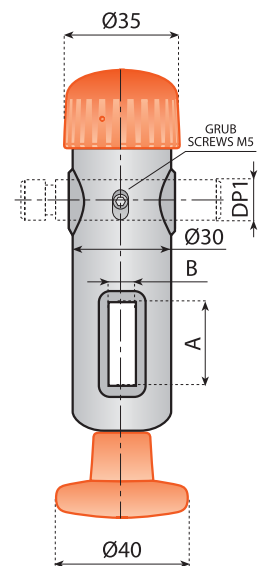
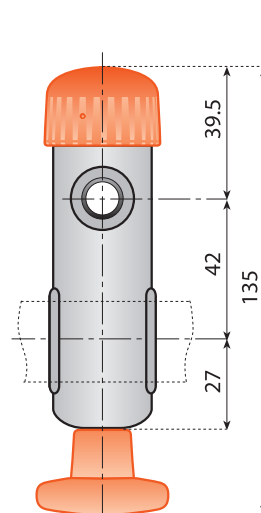
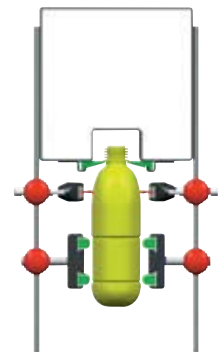


Rod dimensions



### Advantages:

- Rapid adjustment of guides to accommodate the choice of bottle format.
- Quick and easy maintenance.



Code	Internal block	DP1	Flat bar A x B	
13264FP		12	25 x 8	n°50
13265FP	Nickel	14	25 x 8	
13266FP	plated brass	12	25 x 6	
13267FP		14	25 x 6	

For a correct use of these products and to get the best performance, please call our engineering experts.

# Cross blocks

 Preferred type, readily available (codes marked in red)



AISI 304  
Stainless steel



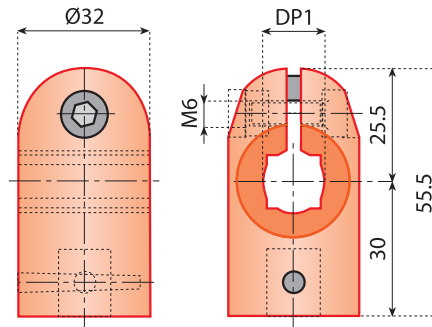
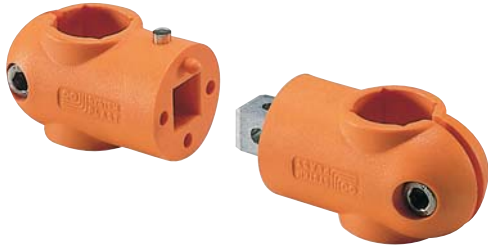
Nickel plated brass



Reinforced  
polyamide



[Accessories](#)




## CROSS BLOCKS

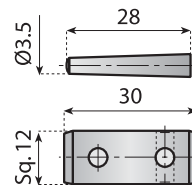
**Features:** cross blocks, in a variety of bore configurations, including square bore combinations, are manufactured from reinforced polyamide.

**Use:** it connects two round or square rods at 90°.

**Material:** reinforced polyamide with stainless steel bolts.

**Supply:** unassembled.

Code	DP1		
	●	■	
<b>13666</b>	14	12	n°100
<b>13667</b>	15	-	
<b>13668</b>	16	14	
<b>13669</b>	18	-	
<b>13670</b>	20	16	



## CONNECTING JOINT AND PINS

**Supply:** separate two pins and one connecting joints.

Code		Material
<b>13671</b>	n°100	Nickel plated brass

# Extra long cross or parallel blocks

Preferred type, readily available (codes marked in red)



AISI 304  
Stainless steel



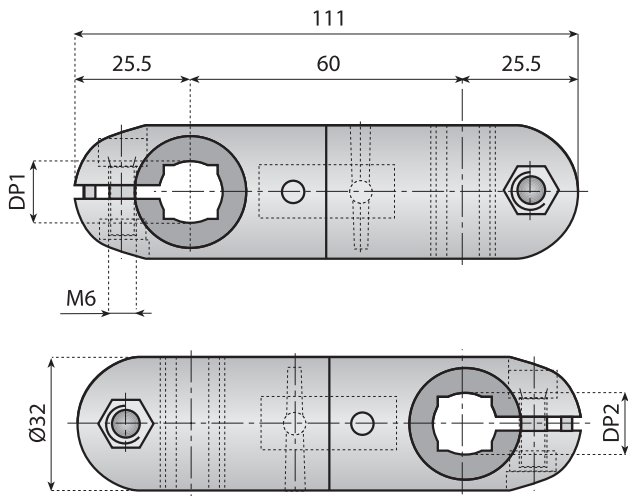
Nickel plated brass



Reinforced polyamide



Accessories



Code	DP1		DP2		n°100
	●	■	●	■	
13651P	14	12	14	12	
13652P	14	12	15	-	
13653P	14	12	16	14	
13654P	14	12	18	-	
13655P	14	12	20	16	
13656P	15	-	15	-	
13657P	15	-	16	14	
13658P	15	-	18	-	
13659P	15	-	20	16	
13660P	16	14	16	14	
13661P	16	14	18	-	
13662P	16	14	20	16	
13663P	18	-	18	-	
13664P	18	-	20	16	
13665P	20	16	20	16	

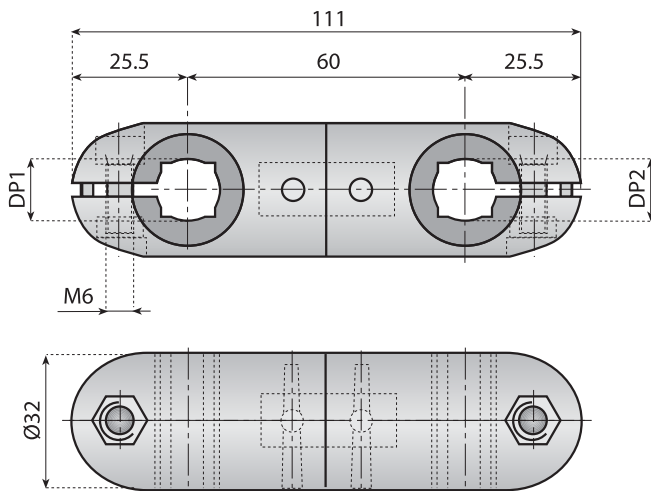
## EXTRA LONG CROSS BLOCKS

**Features:** cross blocks, in a variety of bore configurations, including square bore combinations, are manufactured from reinforced polyamide.

**Use:** it connects two round or square rods at 90°.

**Material:** reinforced polyamide with stainless steel bolts. Internal connecting joint and pins in nickel plated brass.

**Supply:** assembled.



Code	DP1		DP2		n°100
	●	■	●	■	
13651L	14	12	14	12	
13652L	14	12	15	-	
13653L	14	12	16	14	
13654L	14	12	18	-	
13655L	14	12	20	16	
13656L	15	-	15	-	
13657L	15	-	16	14	
13658L	15	-	18	-	
13659L	15	-	20	16	
13660L	16	14	16	14	
13661L	16	14	18	-	
13662L	16	14	20	16	
13663L	18	-	18	-	
13664L	18	-	20	16	
13665L	20	16	20	16	

## EXTRA LONG PARALLEL BLOCKS

**Features:** cross blocks, in a variety of bore configurations, including square bore combinations, are manufactured from reinforced polyamide.

**Use:** it connects two round or square rods at parallel.

**Material:** reinforced polyamide with stainless steel bolts. Internal connecting joint and pins in nickel plated brass.

**Supply:** assembled.

# T - Clamp (base)

 Preferred type, readily available (codes marked in red)



AISI 304  
Stainless steel



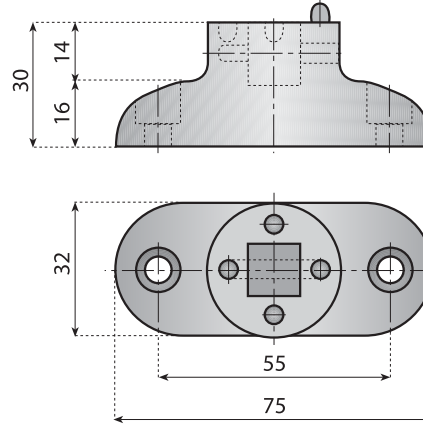
Nickel plated brass



Reinforced  
polyamide



[Accessories](#)



Code

**131008**



n°100

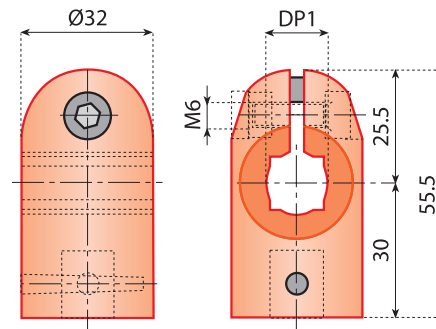
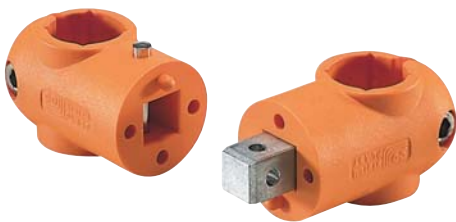
## T-MOBILE CLAMPS

**Features:** it mounts to the side of equipment to provide support for light duty application.

**Use:** with single cross block

**Material:** reinforced polyamide with stainless steel bolts.

**Supply:** unassembled



Code

**13666**

**13667**

**13668**

**13669**

**13670**

DP1



14

12

15

-

16

14

18

-

20

16



n°100

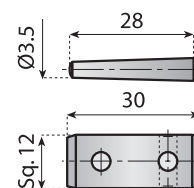
## CROSS BLOCKS

**Features:** cross blocks, in a variety of bore configurations, including square bore combinations, are manufactured from reinforced polyamide.

**Use:** connects two round or square rods at 90°.

**Material:** reinforced polyamide with stainless steel bolts.

**Supply:** unassembled.



Code

**13671**



n°100



Nickel plated brass

## CONNECTING JOINT AND PINS

**Supply:** separate two pins and one connecting joints.

# T - mobile clamp

Preferred type, readily available (codes marked in red)



AISI 304  
Stainless steel



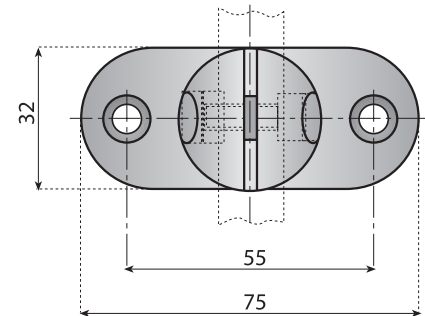
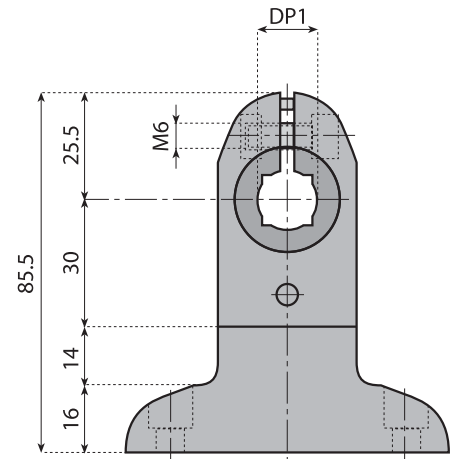
Nickel plated brass



Reinforced  
polyamide



Accessories



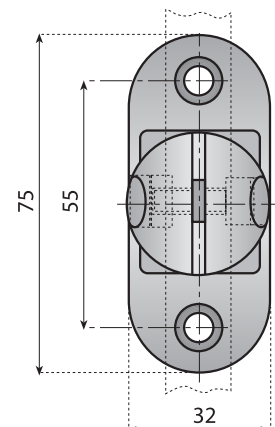
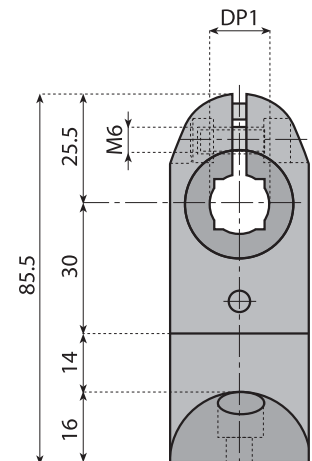
## T-MOBILE CLAMPS

**Features:** mounts to side of equipment to provide support light duty rod type guide rail system.

**Material:** reinforced polyamide with stainless steel bolts; Internal connecting joints and pins in nickel plated brass.

**Supply:** assembled.

Code	DP1		
	●	■	
<b>131010P</b>	14	12	n°100
<b>131011P</b>	15	-	
<b>131012P</b>	16	14	
<b>131013P</b>	18	-	
<b>131014P</b>	20	16	



## T-MOBILE CLAMPS

**Features:** mounts to side of equipment to provide support light duty rod type guide rail system.

**Material:** reinforced polyamide with stainless steel bolts; Internal connecting joints and pins in nickel plated brass.

**Supply:** assembled.

Code	DP1		
	●	■	
<b>131010L</b>	14	12	n°100
<b>131011L</b>	15	-	
<b>131012L</b>	16	14	
<b>131013L</b>	18	-	
<b>131014L</b>	20	16	

# Standard cross blocks



AISI 304  
Stainless steel



Acetal resin

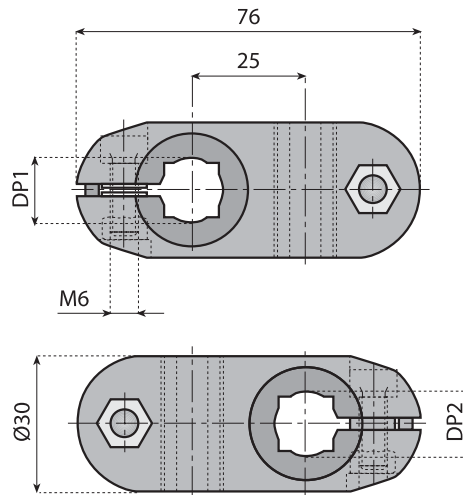


Reinforced  
polyamide



306 → 314  
Accessories

Preferred type, readily available (codes marked in red)



Code	DP1		DP2		
	●	■	●	■	
<b>13105</b>	14	12	14	12	n°50
<b>13106</b>	14	12	15	-	
<b>13107</b>	14	12	16	14	
<b>13111</b>	14	12	18	-	
<b>13140</b>	14	12	20	16	
<b>13108</b>	15	-	15	-	
<b>13109</b>	15	-	16	14	
<b>13112</b>	15	-	18	-	
<b>13141</b>	15	-	20	16	
<b>13110</b>	16	14	16	14	
<b>13113</b>	16	14	18	-	
<b>13142</b>	16	14	20	16	
<b>13093</b>	18	-	18	-	
<b>13143</b>	18	-	20	16	
<b>13104</b>	20	16	20	16	
<b>13104K</b>	-	16	20	16	

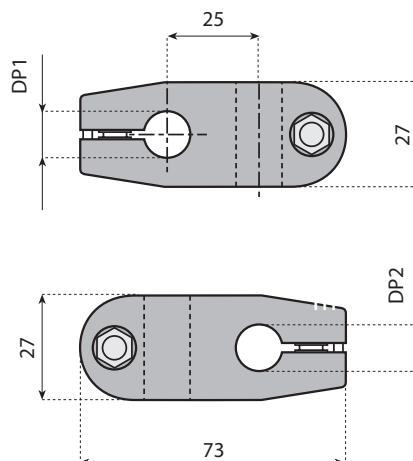
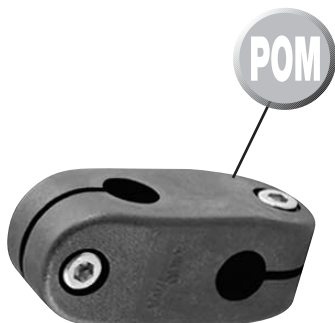
## CROSS BLOCK

**Features:** cross blocks, in a variety of bore configurations, including square bore combinations, are manufactured from reinforced polyamide.

**Use:** connects two round or square rods at 90°.

**Material:** reinforced polyamide with stainless steel fasteners.

**Supply:** assembled.



## HEAVY DUTY CROSS BLOCK

**Features:** cross blocks, in a variety of bore configurations, including square bore combinations, are manufactured from reinforced polyamide.

**Use:** connects two round or square rods at 90°.

**Material:** acetal resin with stainless steel fasteners.

**Supply:** assembled.

Code	Ref.	DP1	DP2	
<b>13S00106</b>	VG-620-12-12M	12	12	n°10
<b>13S00107</b>	VG-620-12-16M	12	16	
<b>13S00108</b>	VG-620-14-14M	14	14	
<b>13S00109</b>	VG-620-15-15M	15	15	
<b>13S00110</b>	VG-620-16-16M	16	16	
<b>13S00111</b>	VG-620-18-18M	18	18	

# Standard cross blocks



AISI 304  
Stainless steel



Acetal resin

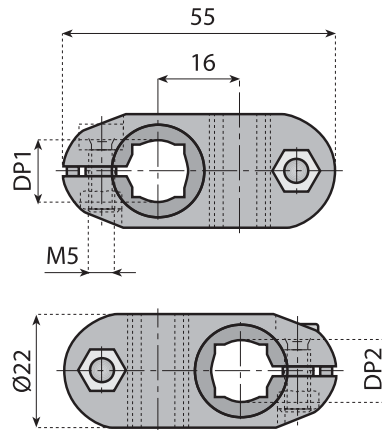


Reinforced  
polyamide



Accessories

Preferred type, readily available (codes marked in red)



## MINI CROSS BLOCK

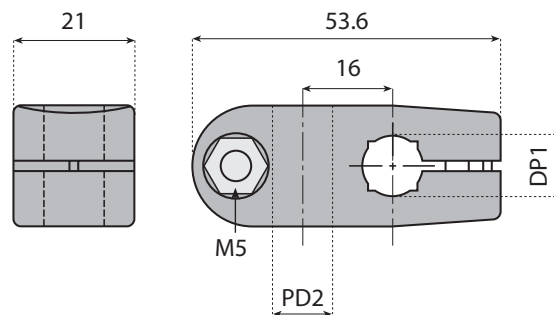
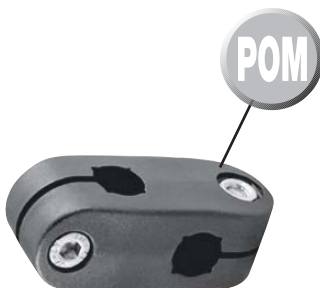
**Features:** cross blocks, in a variety of bore configurations, including square bore combinations, are manufactured from reinforced polyamide.

**Use:** connects two round or square rods at 90°.

**Material:** reinforced polyamide with stainless steel fasteners.

**Supply:** assembled.

Code	DP1		DP2		n°50
	●	■	●	■	
<b>13151</b>	10	8	10	8	
<b>13145</b>	10	8	12	10	
<b>13146</b>	10	8	14	12	
<b>13114</b>	12	10	12	10	
<b>13147</b>	12	10	14	12	
<b>13160</b>	14	12	14	12	



## HEAVY DUTY MINI CROSS BLOCK

**Features:** cross blocks, in a variety of bore configurations, including square bore combinations, are manufactured from reinforced polyamide.

**Use:** connects two round or square rods at 90°.

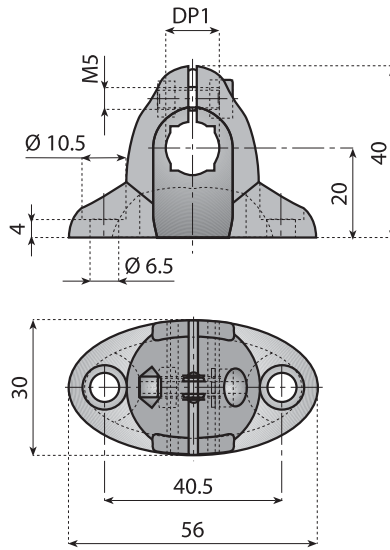
**Material:** acetal resin with stainless steel fasteners.

**Supply:** assembled.

Code	Ref.	DP1		DP2		n°10
		●	■	●	■	
<b>13500114</b>	VG-619-10M	10	8	10	8	
<b>13500115</b>	VG-619-12M	12	10	12	10	
<b>13500116</b>	VG-619-14M	14	12	14	12	

# T. Clamp

 Preferred type, readily available (codes marked in red)



AISI 304  
Stainless steel



Reinforced  
polyamide




Accessories

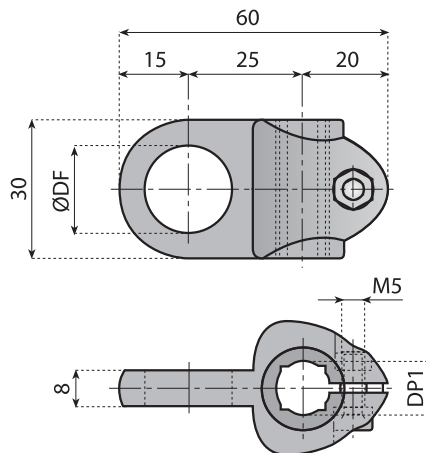
## T-CLAMP


**Features:** mounts to side of equipment to provide support for light duty rod type guide rail system.

**Material:** reinforced polyamide with stainless steel fasteners.

**Supply:** assembled.

Code	DP1		
	●	■	
<b>13152</b>	10	8	n°50
<b>13115</b>	12	10	
<b>13161</b>	14	12	



Code	DP1		Ø DF	
	●	■		
<b>13600</b>			8	n°50
<b>13601</b>			10	
<b>13602</b>	10	8	12	
<b>13603</b>			14	
<b>13604</b>			16	
<b>13153</b>			19	n°50
<b>13605</b>			8	
<b>13606</b>			10	
<b>13607</b>	12	10	12	
<b>13608</b>			14	
<b>13609</b>			16	n°50
<b>13116</b>			19	
<b>13610</b>			8	
<b>13611</b>			10	
<b>13612</b>	14	12	12	
<b>13613</b>			14	n°50
<b>13614</b>			16	
<b>13162</b>			19	

## CLAMP

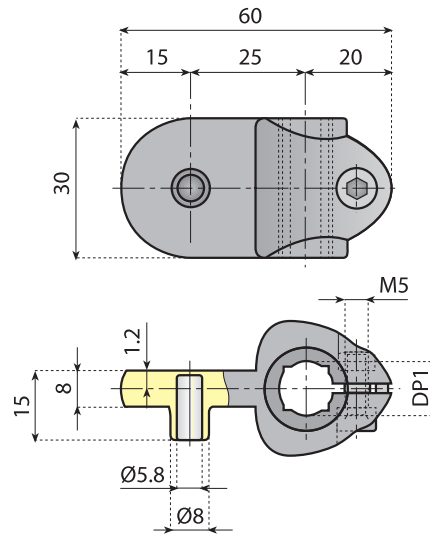
**Features:** used to hold many types of accessories. Numerous bore sizes available.

**Material:** reinforced polyamide with stainless steel fasteners.

**Supply:** assembled.

# Reflector clamp

Preferred type, readily available (codes marked in red)



**SS 304**  
AISI 304  
Stainless steel

**PA FG**  
Reinforced  
polyamide

## REFLECTOR CLAMP

**Features:** used to hold reflectors using a cap screw and nut or pression clip.

**Material:** reinforced polyamide with stainless steel fasteners.

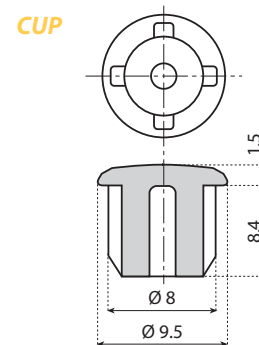
**Supply:** assembled.

Code	DP1		
	●	■	
<b>13157</b>	10	8	n°50
<b>13158</b>	12	10	
<b>13159</b>	14	12	



## TUBE

- external d. 10 mm
- thickness 1 mm
- length 6 m



Code		Material
<b>13155</b>	n°50	SS AISI 304

Code		Material
<b>13156</b>	n°100	PA-FG

# Mounting assembly kit

 Preferred type, readily available (codes marked in red)



AISI 304  
Stainless steel



Reinforced  
polyamide



Polyethylene



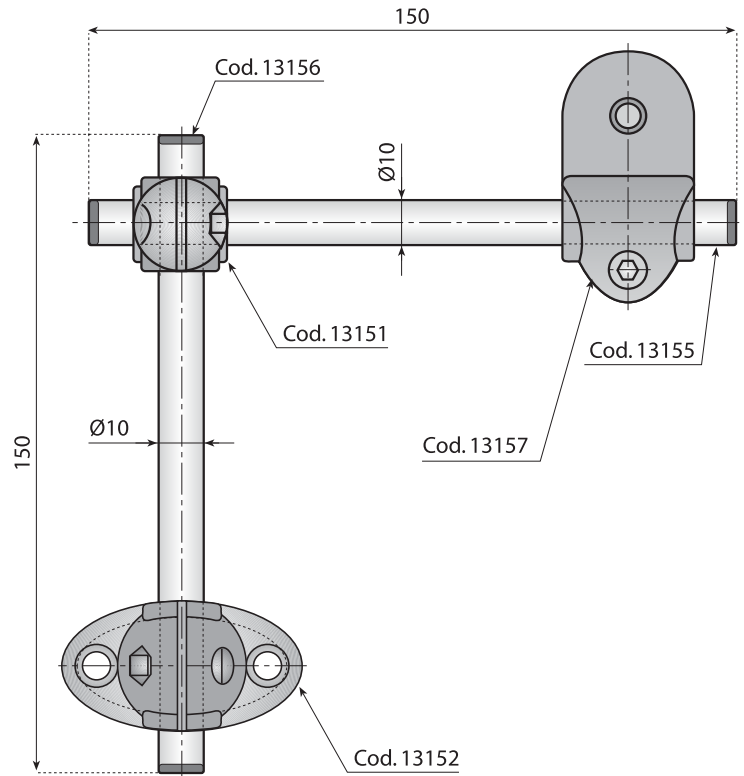
## REFLECTOR MOUNTING ASSEMBLY KIT (for reflector)

**Material:** clamps in reinforced polyamide tightening bolt and connecting tubes in stainless steel AISI 304, closing caps in polyethylene.

**Components:** nr° 1 T-Clamp, nr° 1 clamp, nr° 1 cross block, nr° 2 connecting tubes, nr° 4 closing caps.

**Supply:** unassembled.

**\*Packaging:** 25 completely kit.

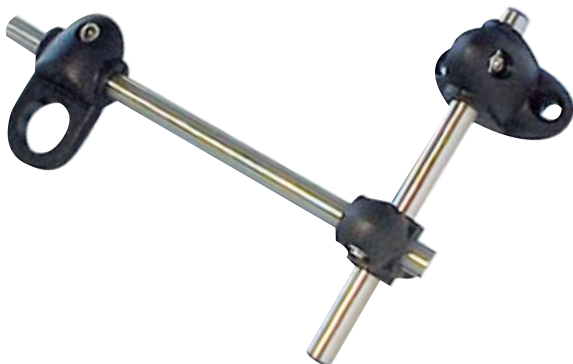


Code

**13148**



n°25\*



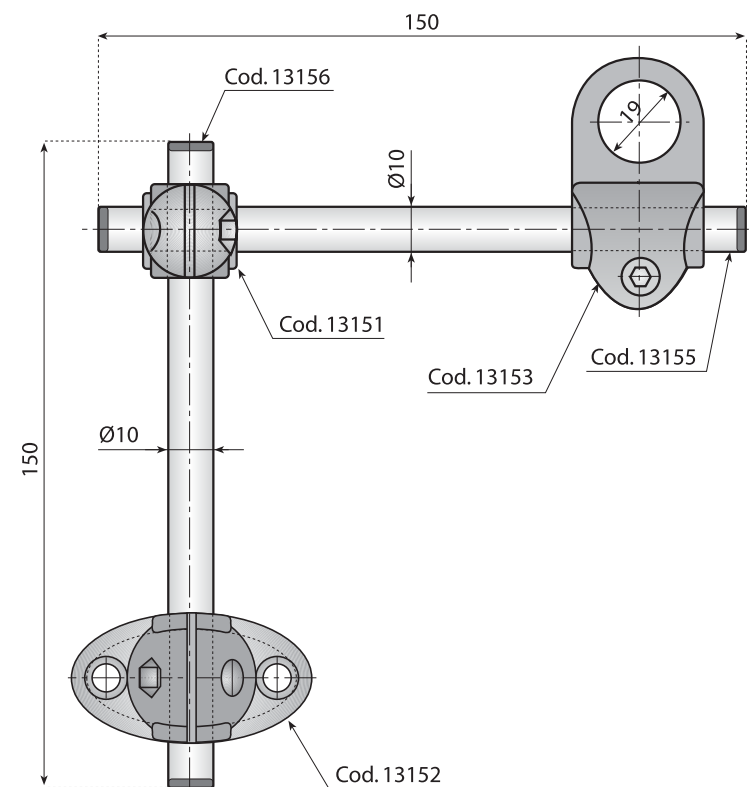
## SENSOR MOUNTING ASSEMBLY KIT (for Ø 18 mm sensor)

**Material:** clamps in reinforced polyamide tightening bolt and connecting tubes in stainless steel AISI 304, closing caps in polyethylene.

**Components:** nr° 1 T-Clamp, nr° 1 clamp, nr° 1 cross block, nr° 2 connecting tubes, nr° 4 closing caps.

**Supply:** unassembled.

**\*Packaging:** 25 completely kit.



Code

**13154**



n°25\*

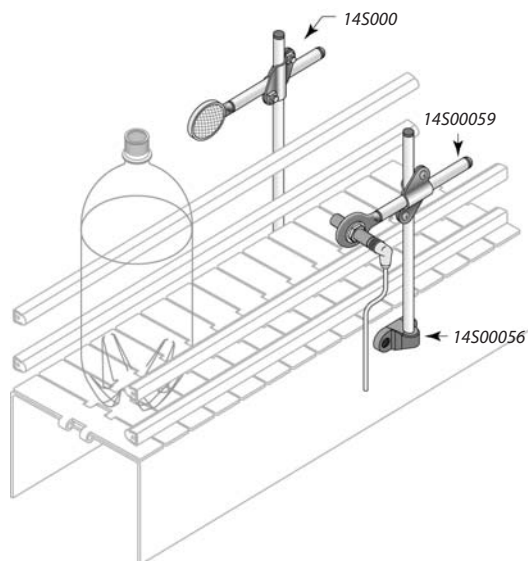
# Accessory holders

## UNIVERSAL ACCESSORY HOLDERS

Photocells, sensors, spray heads, miniature pneumatics, plus many other accessories can easily be held in place using accessory holders. These multi-axis assemblies are designed to offer unlimited possibilities for mounting accessories on conveyors and machinery of all types. Made of corrosion resistant thermoplastic and stainless steel, accessory holder can withstand harsh operating environments.

Accessory holders are configured to mount sensor or reflectors of various dimensions. The components are available as loose parts or as an assembly kit.

**Material:** clamps in reinforced polyamide, tubes in stainless steel AISI 304.



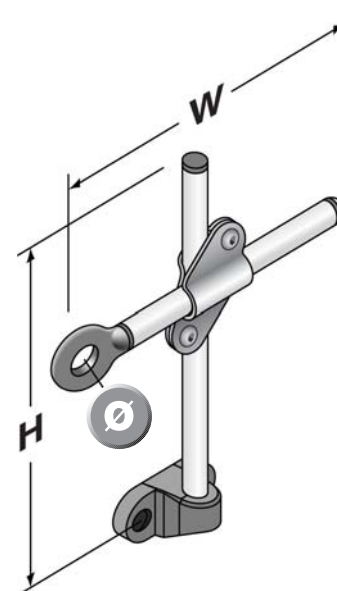
Stainless steel



Reinforced polyamide



	Code	Ref.	W	H	Ø	Clamp
	14S00050	VG-625-30-3506	120	95	6.5	n°10
	14S00071	VG-625-30-5006	120	135		
	14S00072	VG-625-45-3506	155	95		
	14S00053	VG-625-45-5006	155	135		
	14S00073	VG-625-30-3510	120	95	9.5	n°10
	14S00074	VG-625-30-5010	120	135		
	14S00051	VG-625-45-3510	155	95		
	14S00075	VG-625-45-5010	155	135		
	14S00076	VG-625-30-3513	120	95	12.7	n°10
	14S00077	VG-625-30-5013	120	135		
	14S00078	VG-625-45-3513	155	95		
	14S00079	VG-625-45-5013	155	135		
	14S00080	VG-625-30-3516	120	95	16	n°10
	14S00081	VG-625-30-5016	120	135		
	14S00082	VG-625-45-3516	155	95		
	14S00083	VG-625-45-5016	155	135		
	14S00084	VG-625-30-3519	120	95	19	n°10
	14S00052	VG-625-30-5019	120	135		
	14S00085	VG-625-45-3519	155	95		
	14S00054	VG-625-45-5019	155	135		

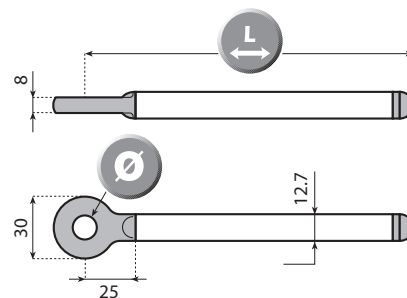


## ACCESSORY HOLDER

**Material:** clamps in reinforced polyamide, tubes in stainless steel AISI 304.

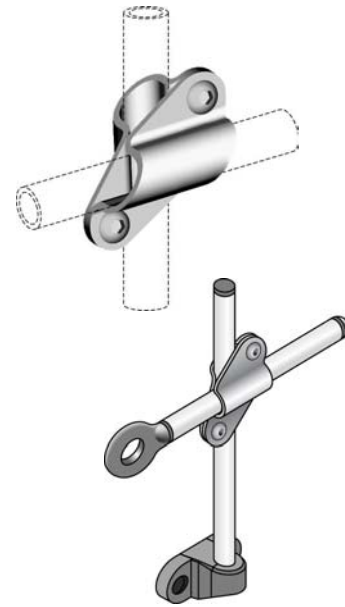
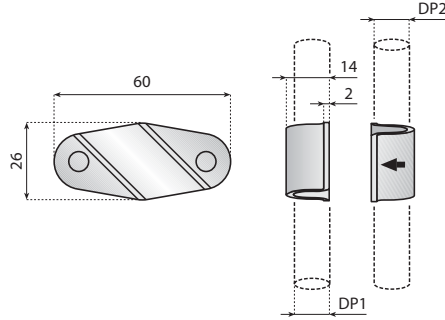
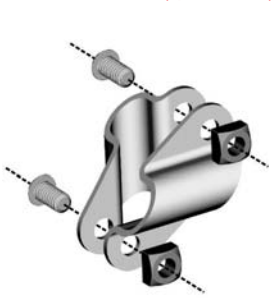


Code	Ref.	L	Ø	Clamp
14S00060	VG-628-35-12-14	120 mm	6.4	n°10
14S00062	VG-628-35-12-38		9.5	
14S00059	VG-628-35-12-12		12.7	
14S00063	VG-628-35-12-58		16	
14S00061	VG-628-35-12-34	155 mm	19	n°10
14S00065	VG-628-50-12-14		6.4	
14S00067	VG-628-50-12-38		9.5	
14S00064	VG-628-50-12-12		12.7	
14S00068	VG-628-50-12-58	16	19	
14S00066	VG-628-50-12-34	19		



# Accessory holders

 Preferred type, readily available (codes marked in red)



**SS 304**

AISI 304  
Stainless steel

**PA**

Polyamide


**PATENT FEATURE**

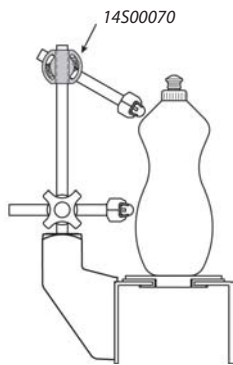
Par. # 6,591,978  
(USA)

**Ø 12.7**

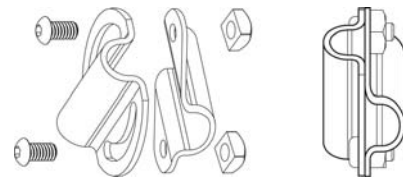
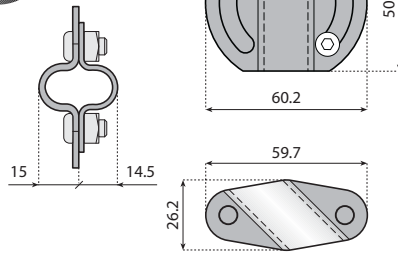
External diameter

## CROSS CLAMP IN STAINLESS STEEL


Code	Ref.	DP1	DP2		Material
<b>14S00069</b>	VG-629-12-12	12.7 mm	12.7 mm	n°10	SS AISI 304

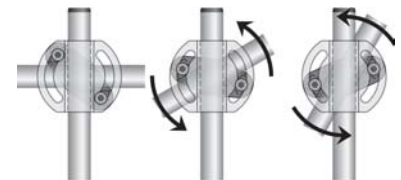


**PATENTED**



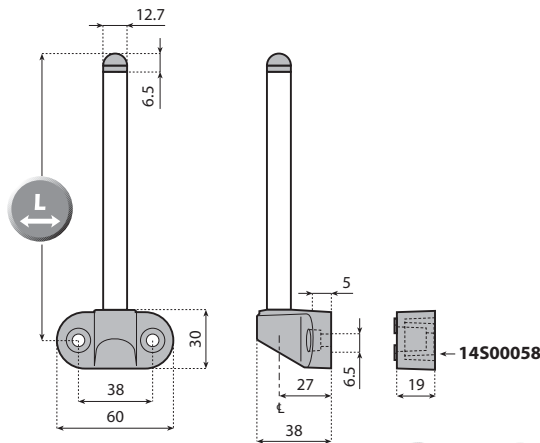
## CROSS CLAMP ADJUSTABLE IN STAINLESS STEEL

Code	Ref.	DP1	DP2		Material
<b>14S00070</b>	VG-629R-12-12	12.7 mm	12.7 mm	n°10	SS AISI 304





**PATENT FEATURE**

Par. # 6,427,829 B1  
Par. # 6,591,978  
(USA)



## MODEL T-ROD

**Material:** clamps in reinforced polyamide, tubes in stainless steel AISI 304.

Code	Ref.		
<b>14S00055</b>	VG-627-30-12	95	
<b>14S00056</b>	VG-627-45-12	135	n°10
<b>14S00057</b>	VG-627-80-12	220	

## SPACERS

Code	Ref.	
<b>14S00058</b>	VG-627S-34	n°10

# Extra cross block

Preferred type, readily available (codes marked in red)



AISI 304  
Stainless steel



Nickel plated brass



Reinforced polyamide



Accessories

## EXTRA CROSS BLOCK STANDARD

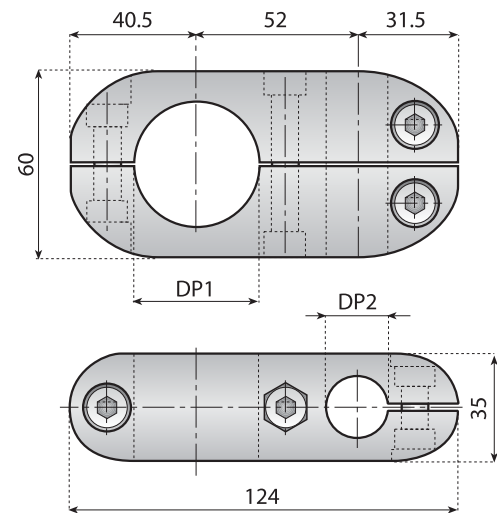
**Material:** reinforced polyamide bolts and nut in stainless steel.

**Supply:** assembled.

**Note:** max recommended tightening torque 3 Kgm.



Code	DP1	DP2	
<b>13509</b>	■ 40	● 20	
<b>13510</b>	■ 40	■ 20	
<b>13511</b>	■ 40	● 18 ■ 15	
<b>13512</b>	■ 40	● 16	
<b>13513</b>	■ 30	● 20	
<b>13514</b>	■ 30	■ 20	
<b>13515</b>	■ 30	● 18 ■ 15	
<b>13516</b>	■ 30	● 16	
<b>13517</b>	● 42.4	● 20	n°50
<b>13518</b>	● 42.4	■ 20	
<b>13519</b>	● 42.4	● 18 ■ 15	
<b>13520</b>	● 42.4	● 16	
<b>13521</b>	● 38.1	● 20	
<b>13522</b>	● 38.1	■ 20	
<b>13523</b>	● 38.1	● 18 ■ 15	
<b>13524</b>	● 38.1	● 16	



## EXTRA CROSS BLOCK WITH HANDLES

**Material:** cross block in reinforced polyamide, bolts and nut in stainless steel, adjustable handles in reinforced polyamide with insert in nickel plated brass.

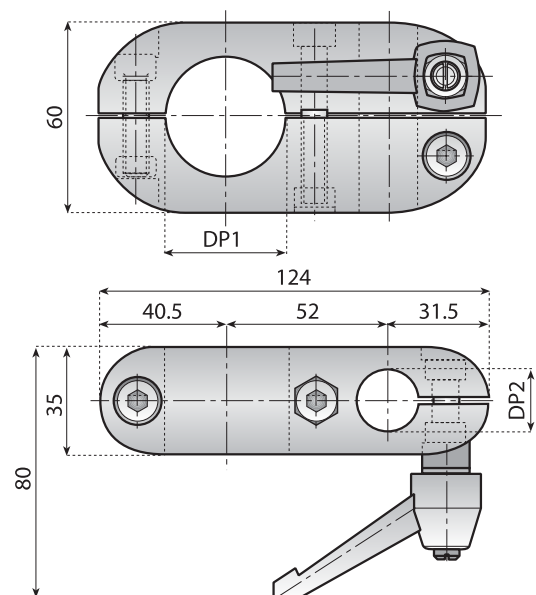
**Application:** for use in areas where frequent adjusting is required for vertical movement.

**Supply:** assembled.

**Note:** max recommended tightening torque 3 Kgm.



Code	DP1	DP2	
<b>13509V</b>	■ 40	● 20	
<b>13510V</b>	■ 40	■ 20	
<b>13511V</b>	■ 40	● 18 ■ 15	
<b>13512V</b>	■ 40	● 16	
<b>13513V</b>	■ 30	● 20	
<b>13514V</b>	■ 30	■ 20	
<b>13515V</b>	■ 30	● 18 ■ 15	
<b>13516V</b>	■ 30	● 16	
<b>13517V</b>	● 42.4	● 20	n°50
<b>13518V</b>	● 42.4	■ 20	
<b>13519V</b>	● 42.4	● 18 ■ 15	
<b>13520V</b>	● 42.4	● 16	
<b>13521V</b>	● 38.1	● 20	
<b>13522V</b>	● 38.1	■ 20	
<b>13523V</b>	● 38.1	● 18 ■ 15	
<b>13524V</b>	● 38.1	● 16	



# Extra cross block

 Preferred type, readily available (codes marked in red)

## EXTRA CROSS BLOCK WITH HANDLES

**Material:** cross block in reinforced polyamide, bolts and nut in stainless steel, adjustable handles in reinforced polyamide with insert in nickel plated brass.

**Applications:** for use in areas where frequent adjusting is required for horizontal and vertical movement.

**Supply:** assembled.

**Note:** max recommended tightening torque 3 Kgm.



Code	DP1	DP2	
<b>13509HV</b>	■ 40	● 20	
<b>13510HV</b>	■ 40	■ 20	
<b>13511HV</b>	■ 40	● 18	■ 15
<b>13512HV</b>	■ 40	● 16	
<b>13513HV</b>	■ 30	● 20	
<b>13514HV</b>	■ 30	■ 20	
<b>13515HV</b>	■ 30	● 18	■ 15
<b>13516HV</b>	■ 30	● 16	
<b>13517HV</b>	● 42.4	● 20	n°50
<b>13518HV</b>	● 42.4	■ 20	
<b>13519HV</b>	● 42.4	● 18	■ 15
<b>13520HV</b>	● 42.4	● 16	
<b>13521HV</b>	● 38.1	● 20	
<b>13522HV</b>	● 38.1	■ 20	
<b>13523HV</b>	● 38.1	● 18	■ 15
<b>13524HV</b>	● 38.1	● 16	



AISI 304  
Stainless steel



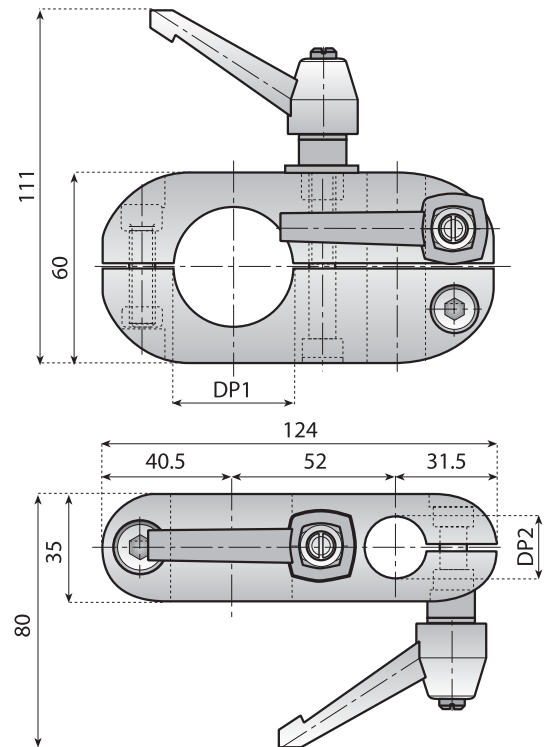
Nickel plated brass



Reinforced polyamide



Accessories



## EXTRA CROSS BLOCK WITH HANDLES

**Material:** cross block in reinforced polyamide, bolts and nut in stainless steel, adjustable handles in reinforced polyamide with insert in nickel plated brass.

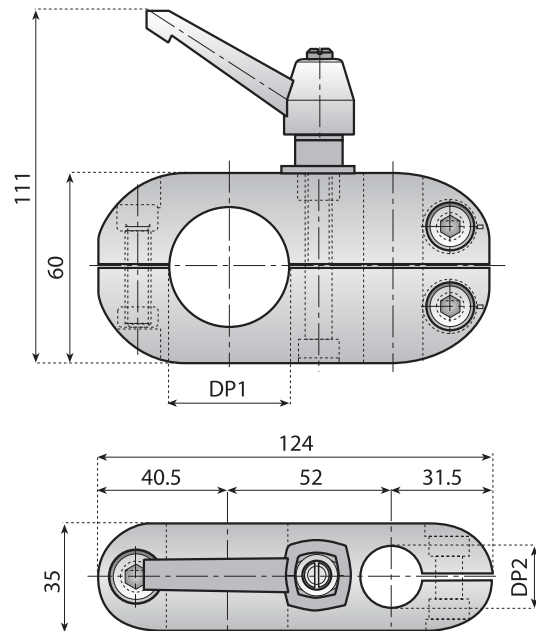
**Applications:** for use in areas where frequent adjusting is required for horizontal and vertical movement.

**Supply:** assembled.

**Note:** max recommended tightening torque 3 Kgm.



Code	DF 1	DF 2	
<b>13509H</b>	■ 40	● 20	
<b>13510H</b>	■ 40	■ 20	
<b>13511H</b>	■ 40	● 18-	■ 15
<b>13512H</b>	■ 40	● 16	
<b>13513H</b>	■ 30	● 20	
<b>13514H</b>	■ 30	■ 20	
<b>13515H</b>	■ 30	● 18-	■ 15
<b>13516H</b>	■ 30	● 16	
<b>13517H</b>	● 42.4	● 20	n°50
<b>13518H</b>	● 42.4	■ 20	
<b>13519H</b>	● 42.4	● 18-	■ 15
<b>13520H</b>	● 42.4	● 16	
<b>13521H</b>	● 38.1	● 20	
<b>13522H</b>	● 38.1	■ 20	
<b>13523H</b>	● 38.1	● 18-	■ 15
<b>13524H</b>	● 38.1	● 16	



# Bracket

Preferred type, readily available (codes marked in red)



AISI 304  
Stainless steel



Nickel plated brass



Reinforced polyamide



Accessories



## BRACKET WITH HAND KNOB (Hand knob/eyelet does not mark rod surface)

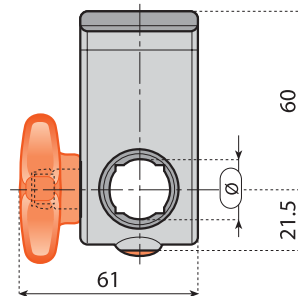
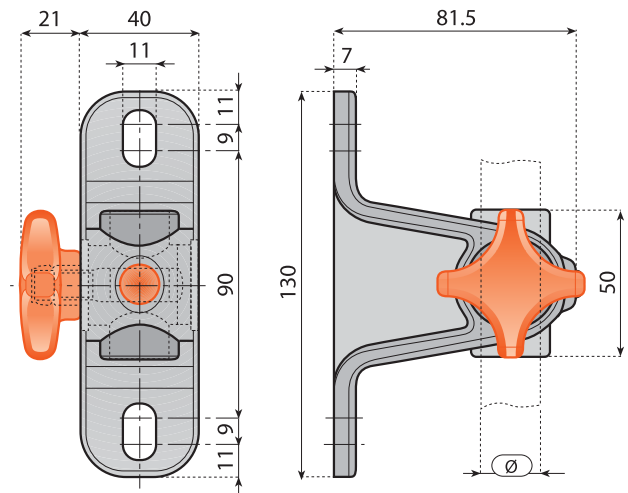
**Material:** bracket in reinforced polyamide, eyelet in metal, knob in polyamide with bushing insert in nickel plated brass, washer in stainless steel.

**Features:** knob fastening provides holding and positioning for many rods.

Heavy duty construction for increased strength and rigidity.

**Supply:** assembled.

Code	For rod Ø (mm)		
	●	■	
<b>13231</b>	14	12	n°50
<b>13232</b>	15	–	
<b>13233</b>	16	14	
<b>13234</b>	18	–	
<b>13235</b>	20	16	

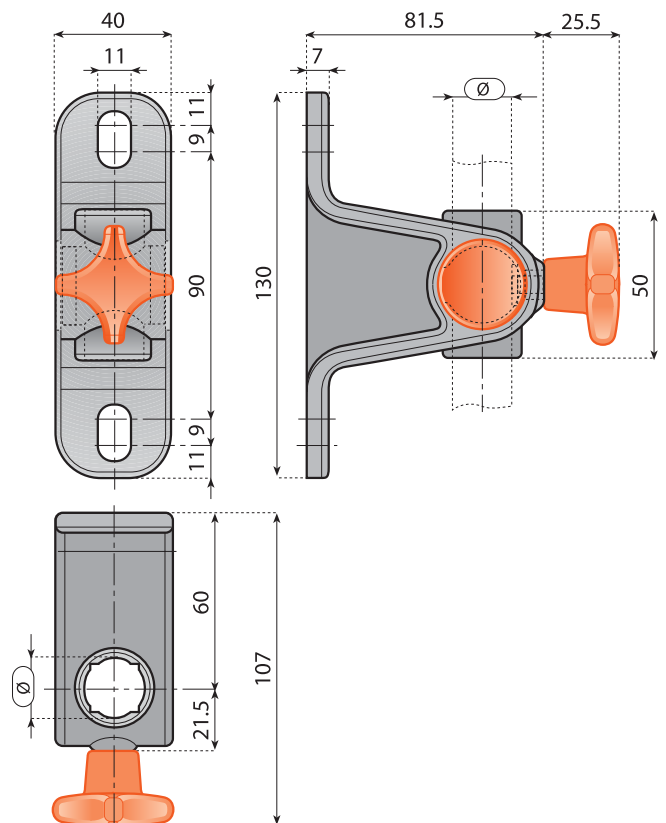


## BRACKET WITH SCREW OR HAND KNOB

**Material:** bracket in reinforced polyamide, stainless steel screw, knob in polyamide with threaded insert in stainless steel.

**Supply:** assembled.

Code	with screw	with knob	For rod Ø (mm)		
			●	■	
<b>13236</b>	<b>13237</b>		14	12	n°50
<b>13238</b>	<b>13239</b>		15	–	
<b>13240</b>	<b>13241</b>		16	14	
<b>13242</b>	<b>13243</b>		18	–	
<b>13244</b>	<b>13245</b>		20	16	



# Universal clamp for photocells or reflectors

 Preferred type, readily available (codes marked in red)



AISI 304  
Stainless steel



Nickel plated brass



Reinforced polyamide



Accessories



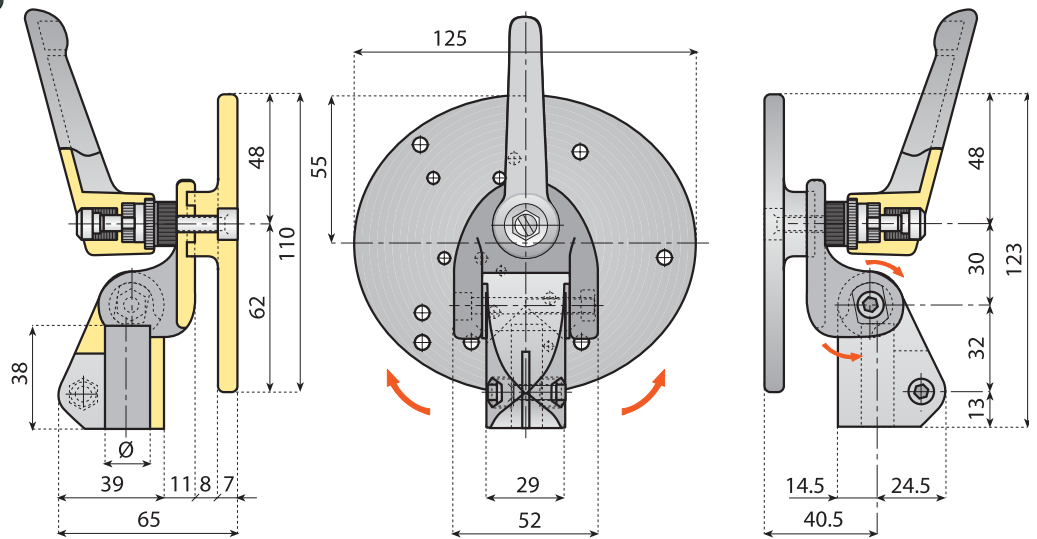
*Movement on the three axis*

## UNIVERSAL CLAMP WITH ADJUSTABLE HANDLE FOR PHOTOCELLS OR REFLECTORS

**Material:** clamp in reinforced polyamide, tightening bolt in stainless steel, adjustable handle in polyamide with threaded insert in nickel plated brass.

**Supply:** assembled.

**Note:** max recommended tightening torque 2 Kgm.



### Code

Code	For rod Ø (mm)	
<b>13616H</b>	14	
<b>13617H</b>	15	
<b>13618H</b>	16	n°50
<b>13619H</b>	18	
<b>13620H</b>	20	



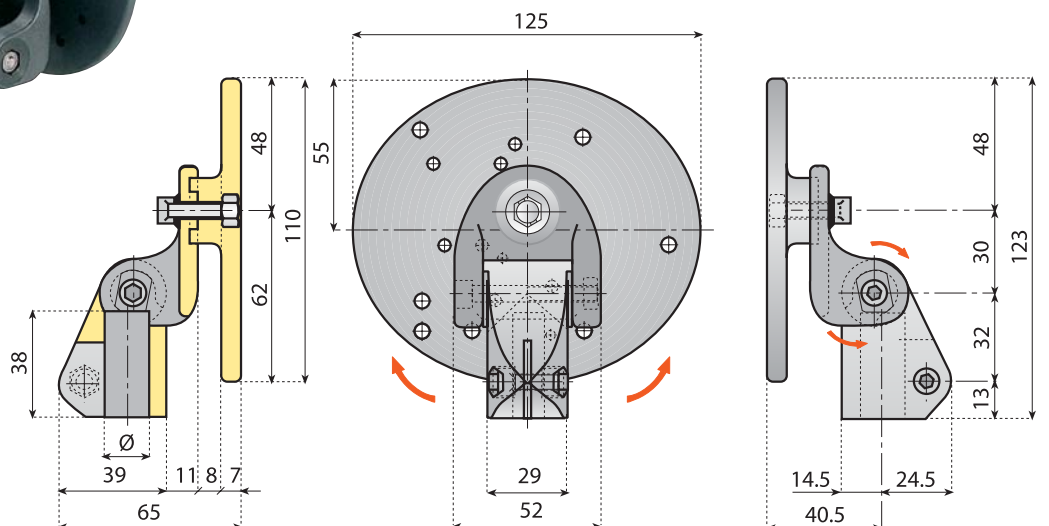
*Movement on the three axis*

## UNIVERSAL CLAMP FOR PHOTOCELLS OR REFLECTORS

**Material:** clamp in reinforced polyamide, tightening bolt in stainless steel.

**Supply:** assembled.

**Note:** max recommended tightening torque 2 Kgm.



### Code

Code	For rod Ø (mm)	
<b>13616</b>	14	
<b>13617</b>	15	
<b>13618</b>	16	n°50
<b>13619</b>	18	
<b>13620</b>	20	

# Suitable photocell types



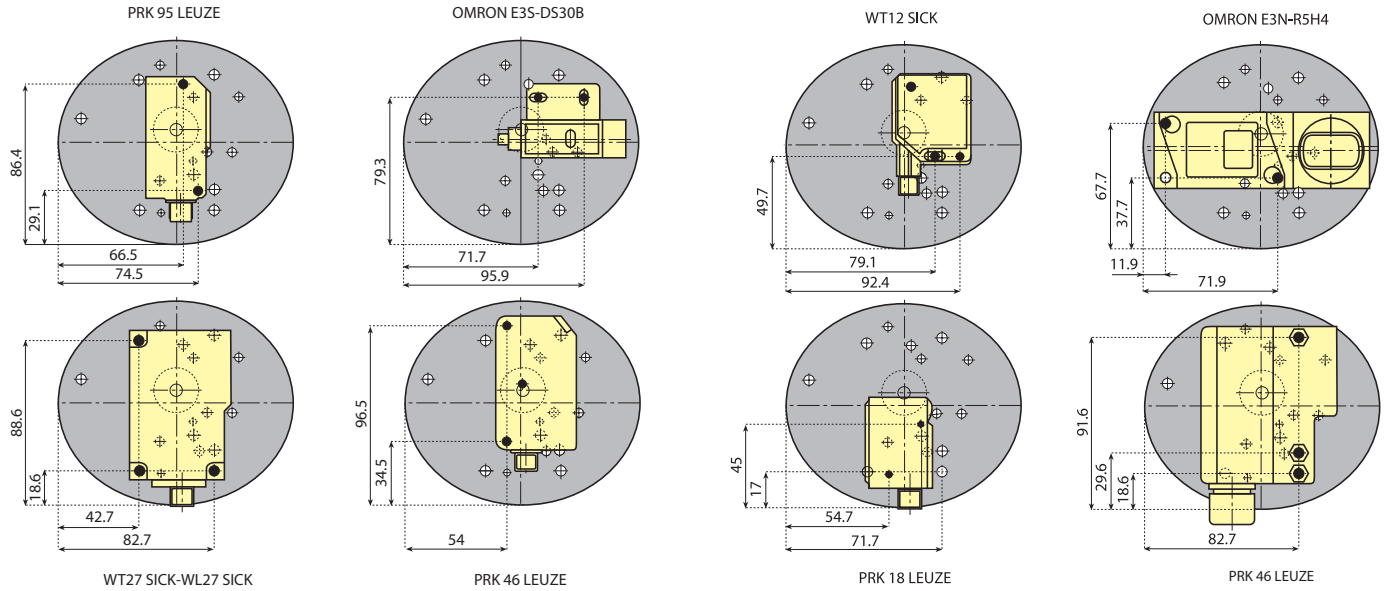
AISI 304  
Stainless steel



Reinforced polyamide



Accessories

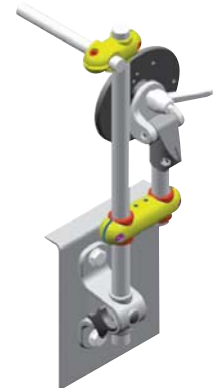


## KIT UNIVERSAL CLAMP FOR PHOTOCELLS OR REFLECTORS WITH TUBE

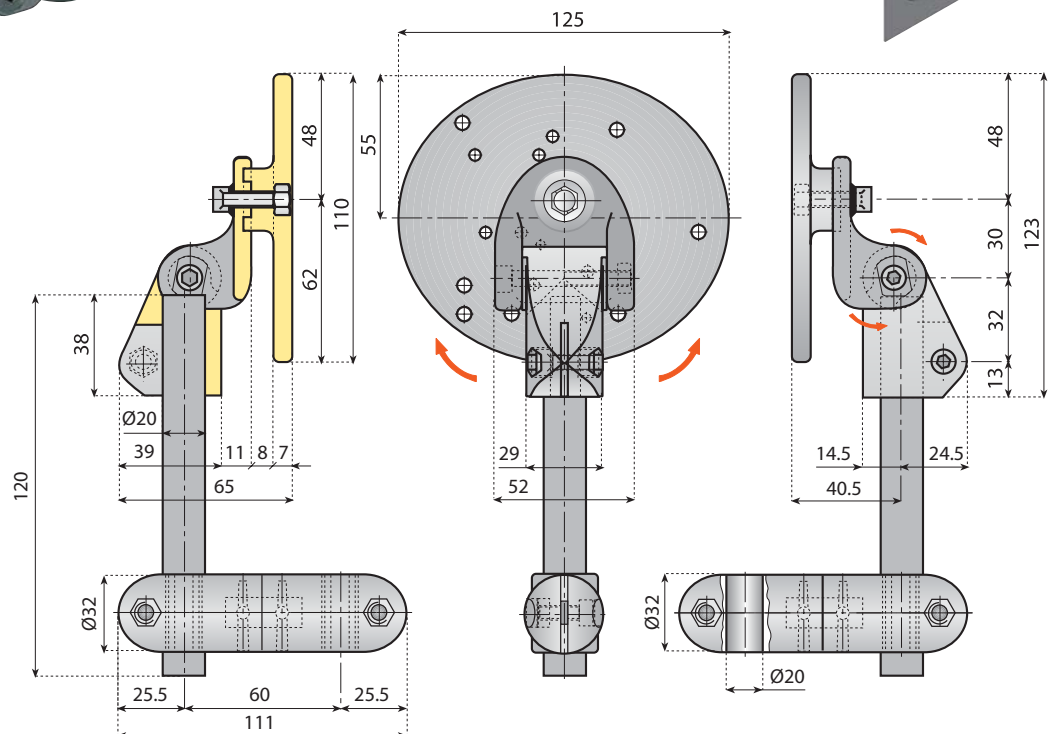
**Material:** cross clamp in reinforced polyamide, tightening bolt and tube in stainless steel.

**Supply:** assembled.

**Note:** max recommended tightening torque 2 Kgm.



*Movement on the three axis*



Code  
**13615**

For rod Ø (mm)  
**20**

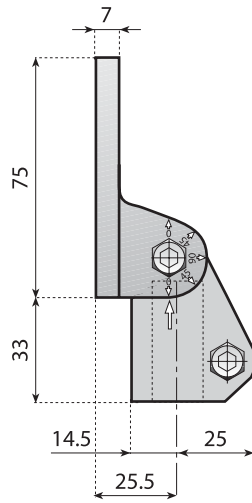
**n°50**

# Clamp for photocells or reflectors

 Preferred type, readily available (codes marked in red)

**SS 304**  
AISI 304  
Stainless steel

**PA FG**  
Reinforced  
polyamide



Pos. A

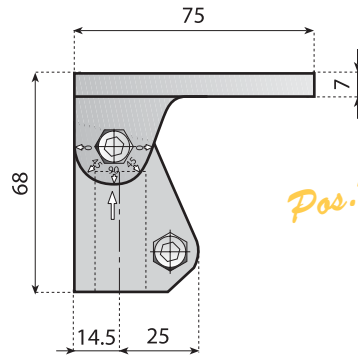
## CLAMP FOR PHOTOCELLS OR REFLECTORS

**Material:** reinforced polyamide, tightening bolts in stainless steel AISI 304.

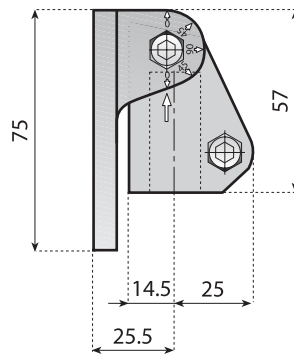
**Use:** can be fitted in position A - B - C

**Supply:** assembled, (position A).

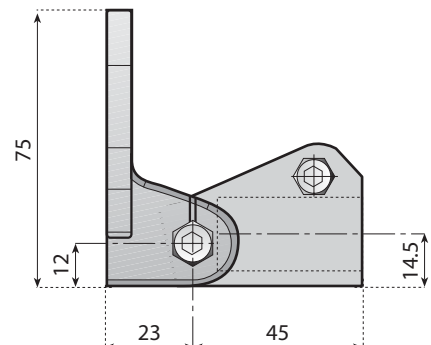
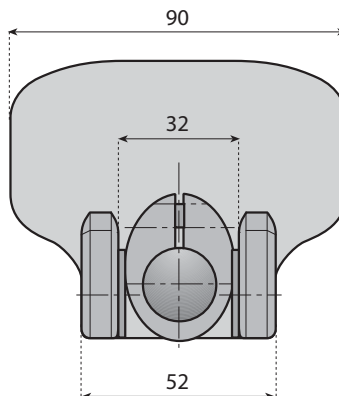
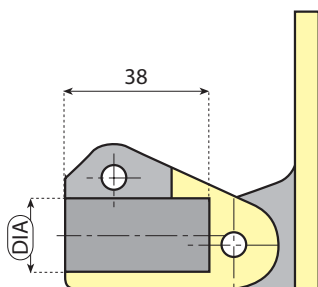
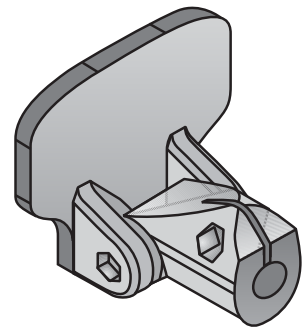
Code	For rod Ø (mm)	
<b>13500</b>	14	
<b>13505</b>	15	
<b>13506</b>	16	n°50
<b>13507</b>	18	
<b>13508</b>	20	



Pos. B



Pos. C



# Photocell accessories

Preferred type, readily available (codes marked in red)



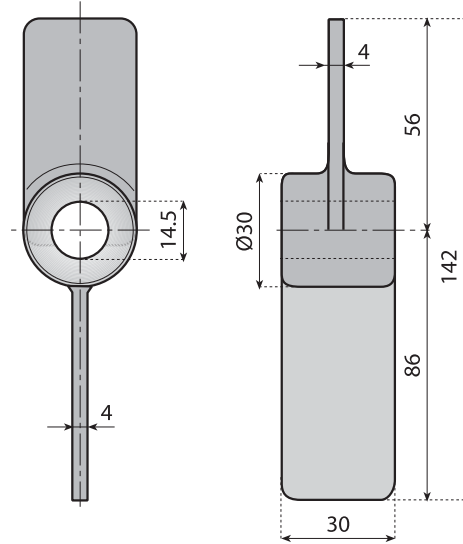
AISI 304  
Stainless steel



Nickel plated brass



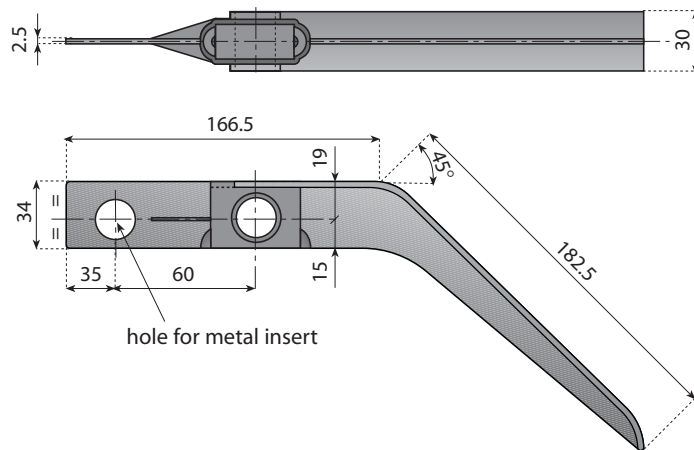
Reinforced polyamide



## BOTTLE INDICATOR

**Application:** activation of photocells on conveyors and machines.

Code	Material	
<b>13150</b>	PA-FG	n°50



## CONTROL CONTACT LEVER

**Application:** activation of photocells on conveyors and machines.

Code		Material
<b>13149</b>	with hole	n°50
<b>13149SF</b>	without hole	PA-FG

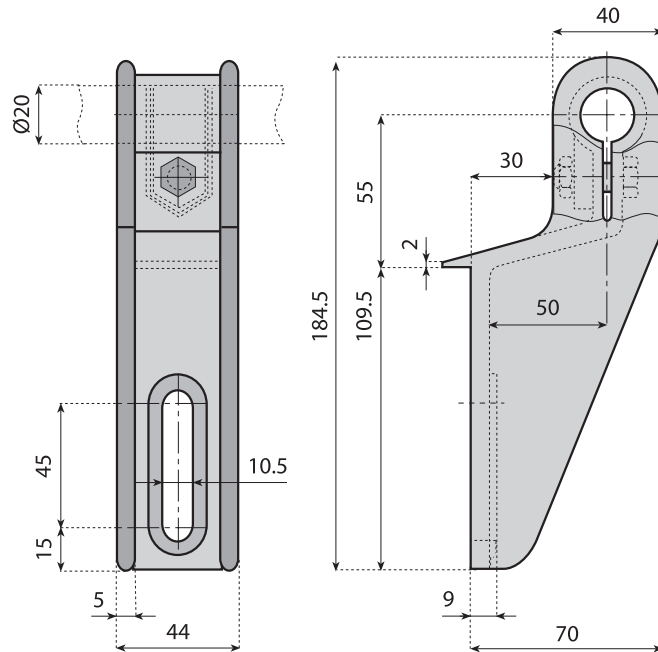
# Photocell accessories



AISI 304  
Stainless steel



Reinforced  
polyamide



## SIDE BRACKET FOR HORIZONTAL TUBES

**Material:** bracket in reinforced polyamide, nut, bolt and washers in stainless steel AISI 304.

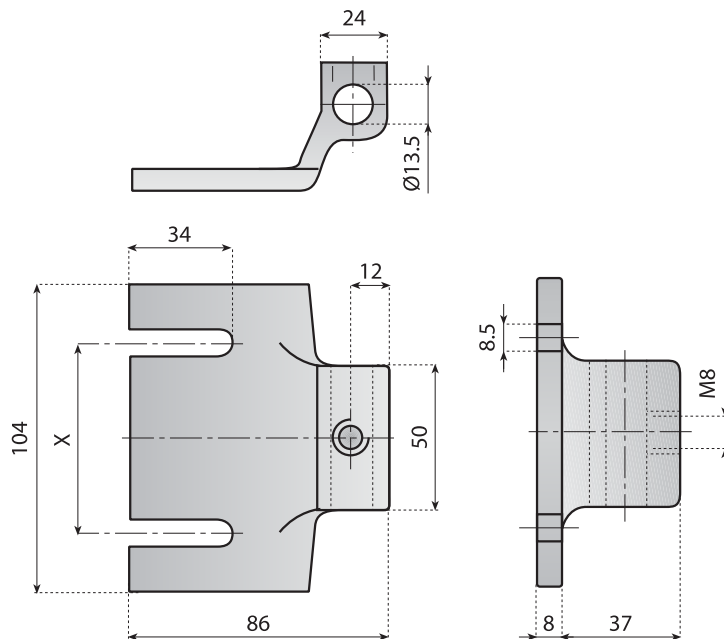
**Supply:** assembled.

Code

13898



n°50



## CLAMP BRACKET OVER HEAD

**Material:** bracket in reinforced polyamide, threaded bushing in nickel plated brass.

Code

13846  
13899

X

55  
64.5



n°50

# Split shafting collars

Preferred type, readily available (codes marked in red)

## SPLIT SHAFTING COLLAR

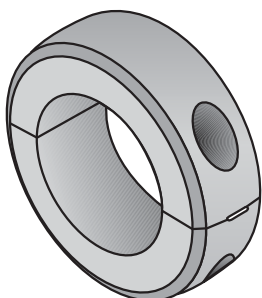
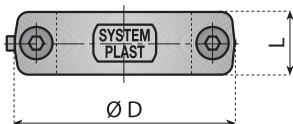
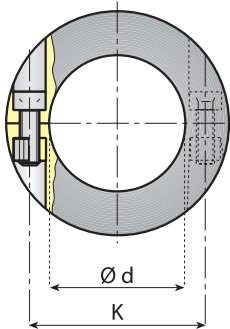
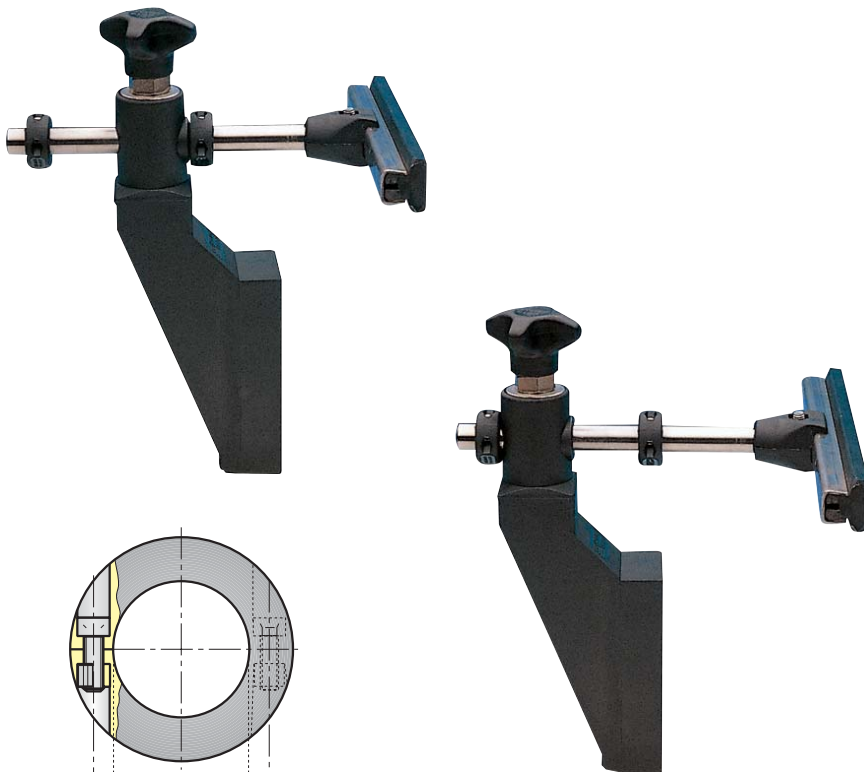
**Material:** reinforced polyamide, bolts in stainless steel, threaded insert in nickel plated brass.

**Use:** these parts can be used on the conveyors as a reference point when the side guides need to be repositioned.

**Note:** The new collars offer high corrosion resistance. The new part exhibits high strength at considerably less cost than stainless steel.

The new collars are the ideal replacement for conventional collars in situation where they cannot be easily removed and replaced.

**Supply:** assembled.



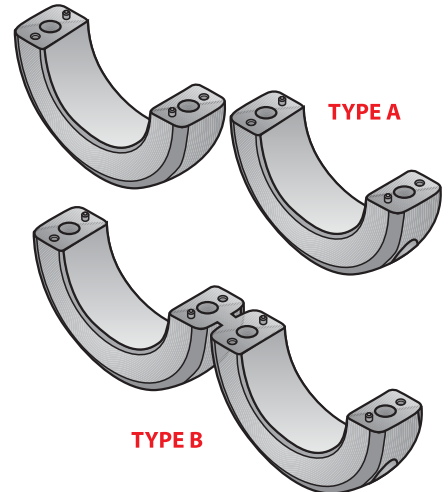
Reinforced polyamide



AISI 304 Stainless steel



Nickel plated brass



Code	Type	d	D	L	K	Screws	
<b>12696</b>	B	10	30	12	20	M3	
<b>12698</b>	A	12	30	12	20	M3	
<b>12700</b>	A	14	28	12	20	M3	
<b>12697</b>	B	15	39	14	27	M4	
<b>12701</b>	A	16	30	12	22	M3	
<b>12699</b>	A	18	39	14	27	M4	
<b>12702</b>	A	20	39	14	29	M4	n°100
<b>12703</b>	A	25	44	14	34	M4	
<b>12704</b>	A	30	49	16	39	M4	
<b>12714</b>	B	30	49	14	39	M4	
<b>12705</b>	A	35	56	16	45	M4	
<b>12706</b>	A	40	64	18	51.5	M5	
<b>12715</b>	B	40	64	14	51.5	M4	



# Split shafting collars for shaft with keyway

 Preferred type, readily available (codes marked in red)



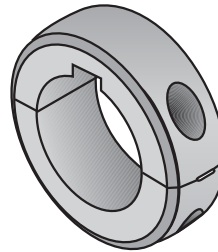
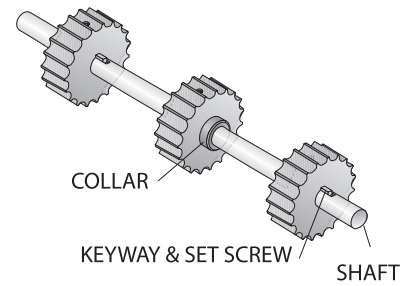
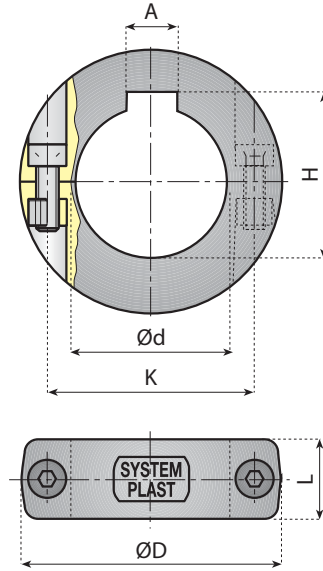
AISI 304  
Stainless steel



Nickel plated brass



Reinforced polyamide




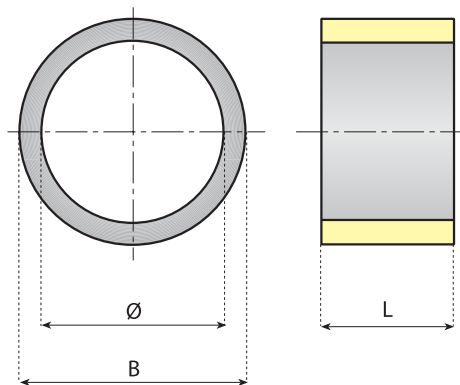
## SPLIT SHAFTING COLLAR

**Material:** reinforced polyamide, screws in stainless steel, threaded insert in nickel plated brass.


**Use:** for shaft with key way.

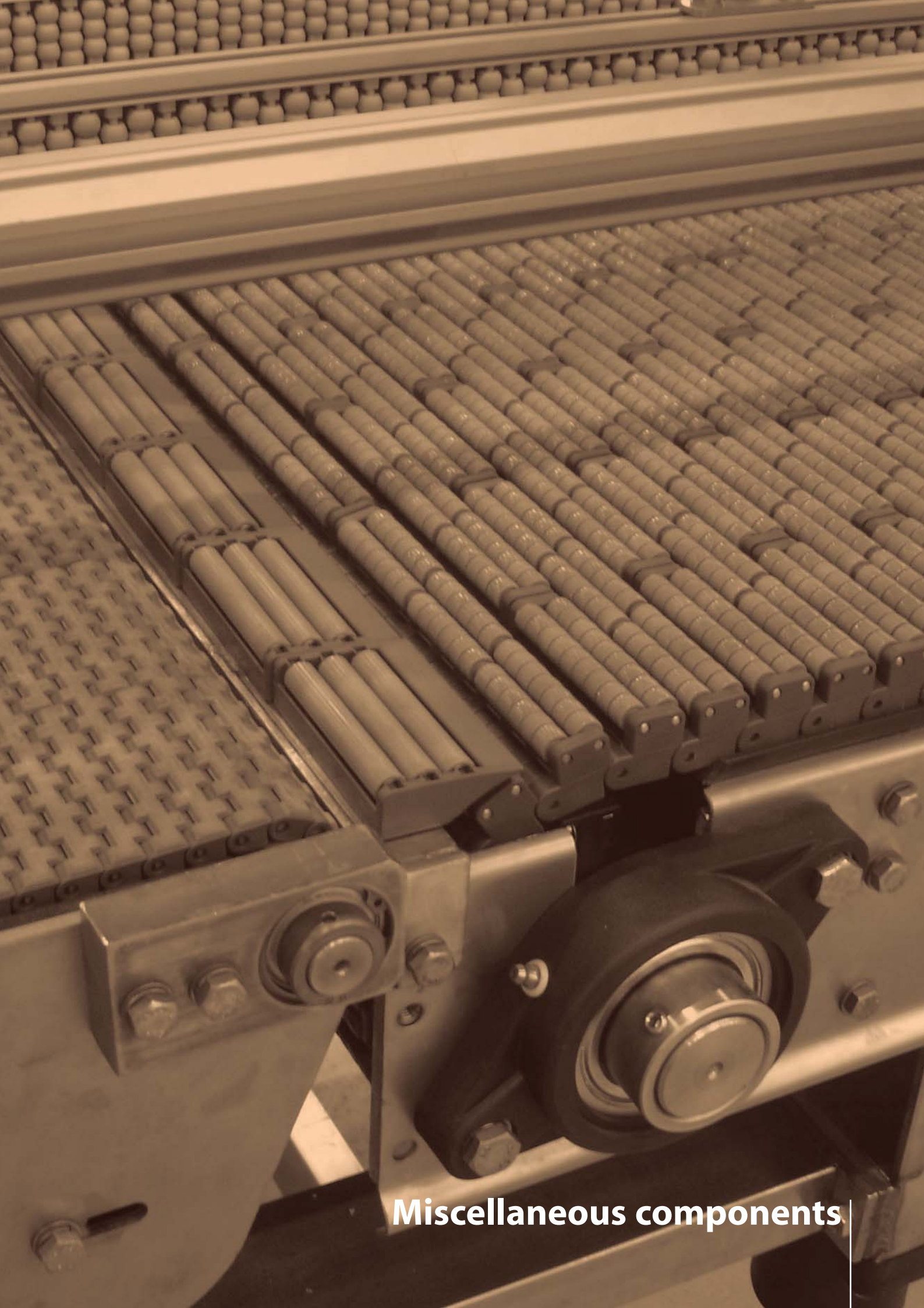
**Supply:** assembled.

Code	d	D	A	H	L	K	Screws	
<b>12710</b>	25	45	8 P9	28.3 <sup>+0.2</sup> <sub>0</sub>	14	34	M4	n°100
<b>12709</b>	30	50	8 P9	33.3 <sup>+0.2</sup> <sub>0</sub>	16	39	M4	
<b>12708</b>	35	57	10 P9	38.3 <sup>+0.2</sup> <sub>0</sub>	16	45	M4	
<b>12707</b>	40	64	12 P9	43.3 <sup>+0.2</sup> <sub>0</sub>	18	51.5	M5	



## IDLER SPACER

Code	For shaft Ø	B	L		Material
<b>12829</b>	30	40	29	n°50	PA
<b>12830</b>	40	50	29		



**Miscellaneous components**

# Hinges

 Preferred type, readily available (codes marked in red)



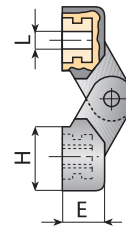
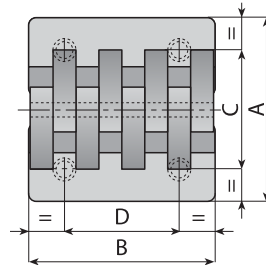
AISI 303  
Stainless steel



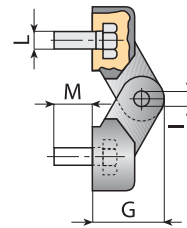
Nickel plated brass



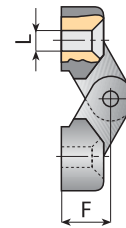
Reinforced polyamide



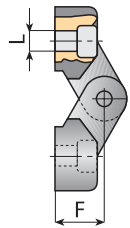
TYPE 1



TYPE 2



TYPE 3



TYPE 4

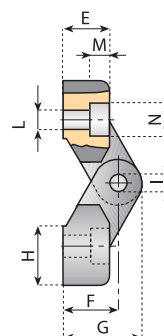
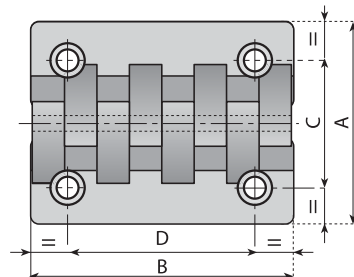
## HINGE

**Material:** reinforced polyamide, pin and screw in stainless steel AISI 303, threaded insert in brass.

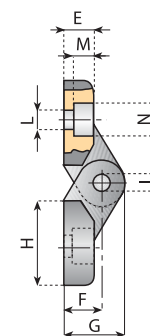
**Notes:** door can be opened up to 180°.

**Supply:** assembled.

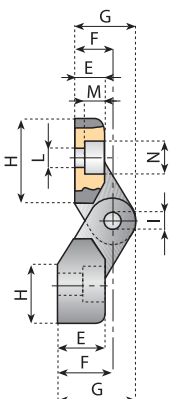
Code	Type	A	B	C	D	E	F	G	H	I	L	M	
40081	1											M4	•
40079	1											M5	•
40080	2	39	40	25	25	10	10.5	15	14	3	M4	14	n°50
40018	3											4.2	•
40070	4											4.2	•
40078	4											5.5	•
40012	1											M5	•
40009	1											M6	•
40015	2	49	49	31	30	11	13	19	17	4	M5	14	n°50
40019	3											5.5	•
40031	4											5.5	•
40067	1											M5	•
40013	1											M6	•
40069	1	64	65	40	40	13.5	15	23	24	5	M8	•	n°50
40016	2											M6	17
40020	3											6.5	•
40068	4											6.5	•
40014	1											M10	•
40017	2	97.5	97.5	63	60	20.5	23	35	35	8	M10	20	n°50
40021	3											10.5	•



TYPE 1



TYPE 2



TYPE 3

## HINGE

**Material:** reinforced polyamide, pin in stainless steel AISI 303.

**Notes:** door can be opened up to 180°.

**Supply:** assembled.

Code		Type	A	B	C	D	E	F	G	H	I	L	M	N	
Black	Grey														
14112	14112G	2					11.5	14.5	23.5			6.5	6	10.5	
14113	14113G	1					18	21	30	11.5		6.5	6	10.5	
14106	14106G	2	80	102	49.5	72.5	11.5	14.5	23.5	18		8.5	8	13.5	n°50
14107	14107G	1					18	21	30	11.5	6	8.5	8	13.5	
14136	14136G	3					11.5/18	14.5/21	23.5/30	18		6.5	6	10.5	
14137	14137G	3					11.5/18	14.5/21	23.5/30	11.5/18		8.5	8	13.5	

# Hinges and handles

Preferred type, readily available (codes marked in red)



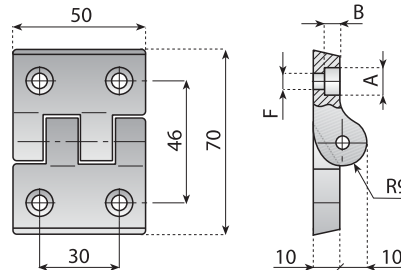
AISI 303  
Stainless steel



Nickel plated brass



Reinforced polyamide



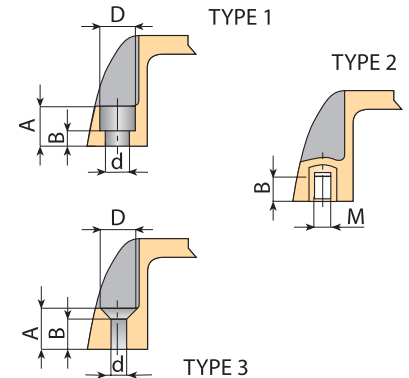
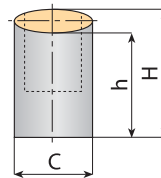
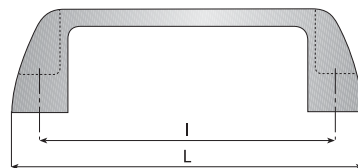
## HINGE

**Material:** reinforced polyamide, pin in stainless steel AISI 303.

**Note:** door can be opened up to 180°.

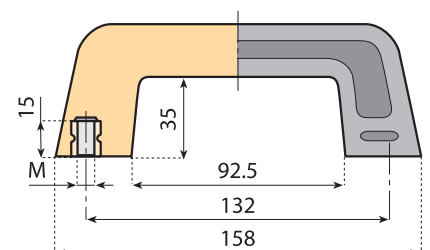
**Supply:** assembled.

Code	F	A	B	
<b>14104</b>	6.5	10.5	6	n°50
<b>14105</b>	8.5	13.5	4	



## HANDLE

Code	Type	I mm	L mm	C mm	H mm	h mm	A mm	B mm	D mm	d mm	M mm		Material	
<b>14121</b>	1	93.5	112	21	36	30	13	6	10.5	6.5	-			
<b>14124</b>	2	93.5	112	21	36	30	-	9	-	-	M6			
<b>14122</b>	1	117	139	26	41	34	15	8.5	10.5	6.5	-			
<b>14123</b>	1	117	139	26	41	34	15	6	13	8.5	-			
<b>14125</b>	2	117	139	26	41	34	-	9	-	-	M6			
<b>14126</b>	2	117	139	26	41	34	-	9	-	-	M8			
<b>14131</b>	1	120	139	26	41	34	10	5	9	5.5	-	n°50	PA-FG	Black
<b>14130</b>	1	120	139	26	41	34	10	4	10.5	6.5	-			
<b>14132</b>	2	120	139	26	41	34	-	8	-	-	M5			
<b>14133</b>	2	120	139	26	41	34	-	9	-	-	M6			
<b>14128</b>	3	120	139	26	41	34	10	8	9	5	-			
<b>14129</b>	3	120	139	26	41	34	10	7	10.5	5.5	-			



## HANDLE

**Material:** reinforced polyamide, threaded insert in brass.

Code	M		
<b>14118</b>	8	n°50	Black
<b>14119</b>	10		

# Handles

 Preferred type, readily available (codes marked in red)



Nickel plated brass





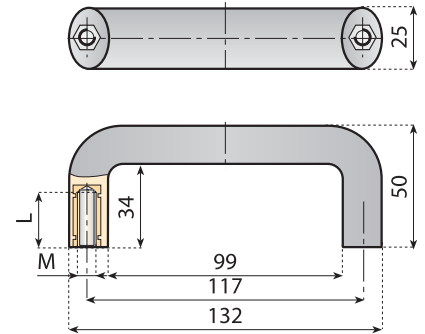
Reinforced polyamide



## HANDLE



**Material:** polyamide, threaded insert in brass.

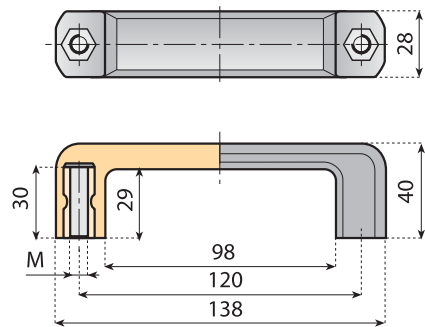
Code	M		
<b>14140</b>	6		
<b>14141</b>	8	n°50	Black
<b>14142</b>	10		



## HANDLE




**Material:** polyamide, threaded insert in brass.

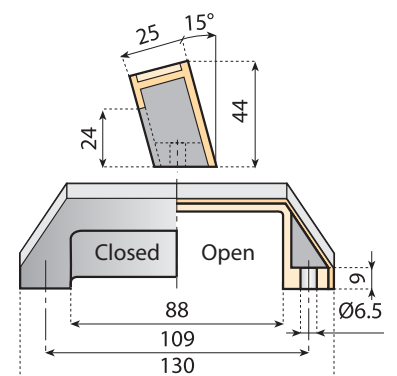
Code	M		
<b>14115</b>	6		
<b>14116</b>	8	n°50	Black
<b>14117</b>	10		



## SAFETY HANDLE WITH COVER

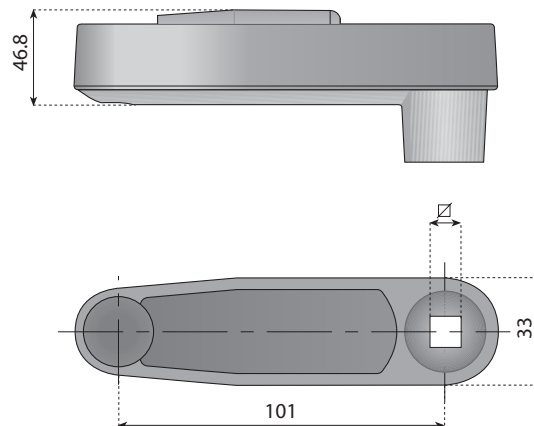
**Application:** with screws M5.

Code	Type	Colour			
<b>14114</b>	Closed	Orange			Black and Orange
<b>14114G</b>	Closed	Grey	n°50	PA-FG	Black and Gray
<b>14135</b>	Open	Orange			Black and Orange
<b>14135G</b>	Open	Grey			Black and Gray



# Crank Handles

Preferred type, readily available (codes marked in red)



Reinforced polyamide

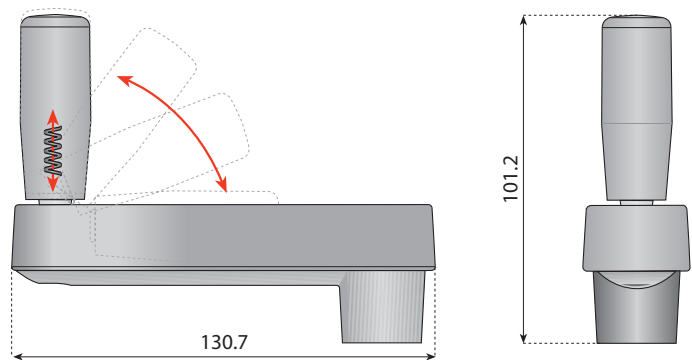


Stainless steel

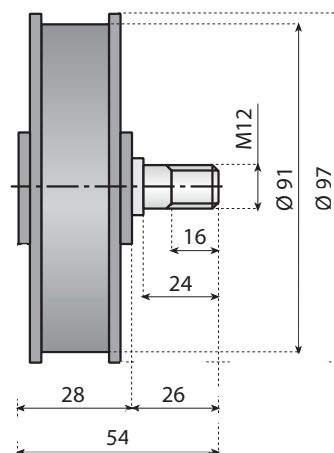
## Crack Handles

**Material:** Reinforced polyamide, threaded insert in stainless steel.

Code	Size	Quantity	Material	Color
14160	8x8	50	PA-FV	Black
14161	10x10			



# Winding tensioner



Steel plated brass



Reinforced polyamide



304 Stainless steel

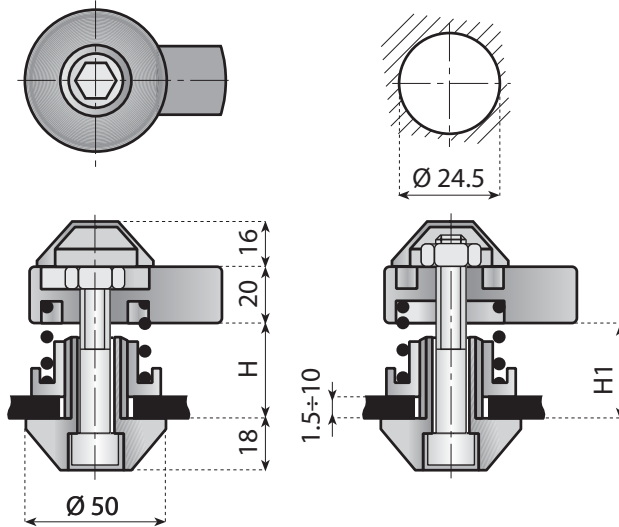
Code	Version Standard	Version with grease	Insert Material	Direction of travel	Load gr.	Winding Trave	Quantity	Color
<b>14280</b>		<b>14280G</b>	Steel plated brass	Right	0 ÷ 4000	2500	n°10	Black
<b>14281</b>		<b>14281G</b>	Steel plated brass	Left	0 ÷ 4000	2500	n°10	Black
<b>14280-SS</b>		<b>14280G-SS</b>	Stainless steel	Right	0 ÷ 4000	2500	n°10	Black
<b>14281-SS</b>		<b>14281G-SS</b>	Stainless steel	Left	0 ÷ 4000	2500	n°10	Black

## Winding tensioner

**Material:** body in reinforced polyamide insert see in the table.

# Lock

 Preferred type, readily available (codes marked in red)



**Assembly n°1**

**Assembly n°2**

## Lock

**Material:** body and safety cap in reinforced polyamide, screw, nut and spring in stainless steel AISI 304.

**Application:** closure of doors.

**Assembly:** assembly lock as shown in assembly drawing number 1, when the dimension H is suitable for assembly distance between 30-36 mm. When the distance H1 is between 23-28 mm, follow assembly procedure drawing number 2.

**H = 30 ÷ 36 (min. - max)**  
**H1 = 23 ÷ 28 (min. - max)**

Code

**14290**



n°10



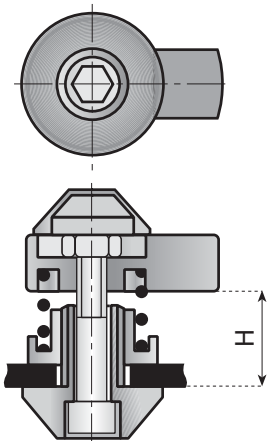
AISI 303  
Stainless steel



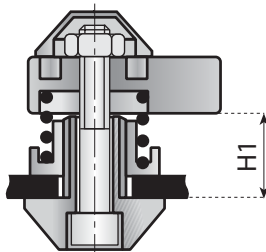
Reinforced  
polyamide

## ASSEMBLING INSTRUCTION FOR THE LOCK

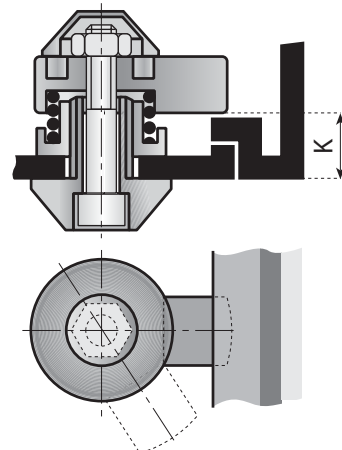
Assemble lock as shown in assembly n°1 when the size "K" is between 30 (min.) and 36 mm (max), when the size "K" is between 23 (min.) and 28 mm (max) follow assembly procedure n°2.



**Assembly n°1**



**Assembly n°2**



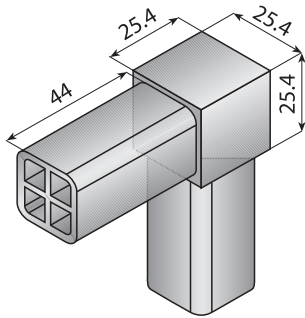
# Connecting joints



Reinforced polyamide

Preferred type, readily available (codes marked in red)

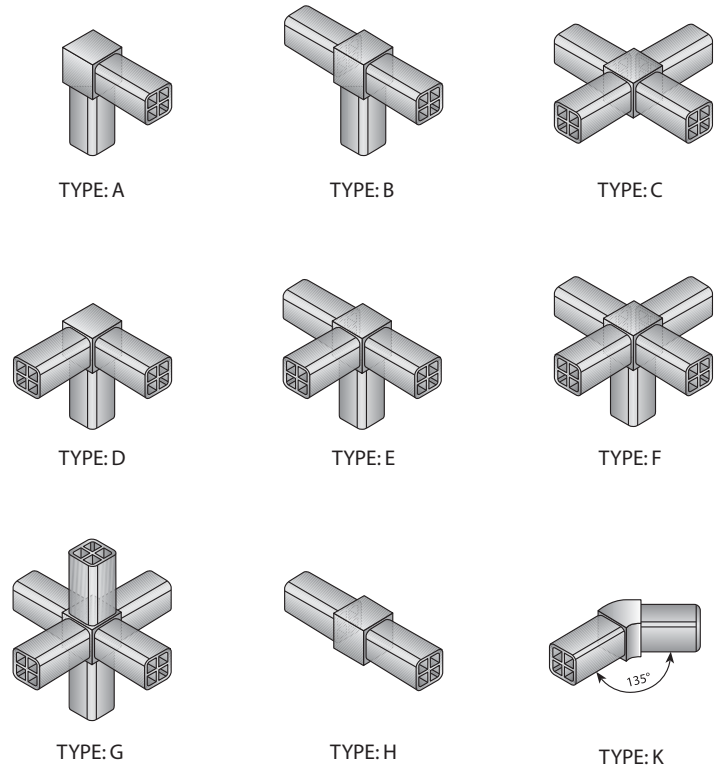
## FOR TUBES 25 x 25 x 1,5 mm



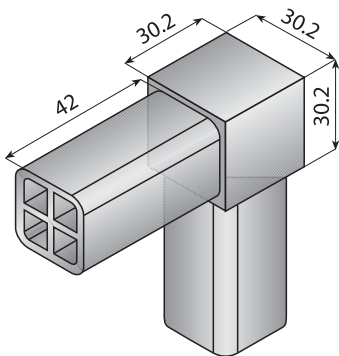
Code	Type		Material	
<b>40001</b>	A			
<b>40002</b>	B	-	PA-FG	Black
<b>40003</b>	C			
<b>40004</b>	D			
<b>40005</b>	E	-	PA-FG	Black
<b>40006</b>	F			
<b>40007</b>	G			
<b>40008</b>	H	-	PA-FG	Black
<b>40035</b>	K			

### Application:

joints can be used with square tubes 25x25x1,5 mm.



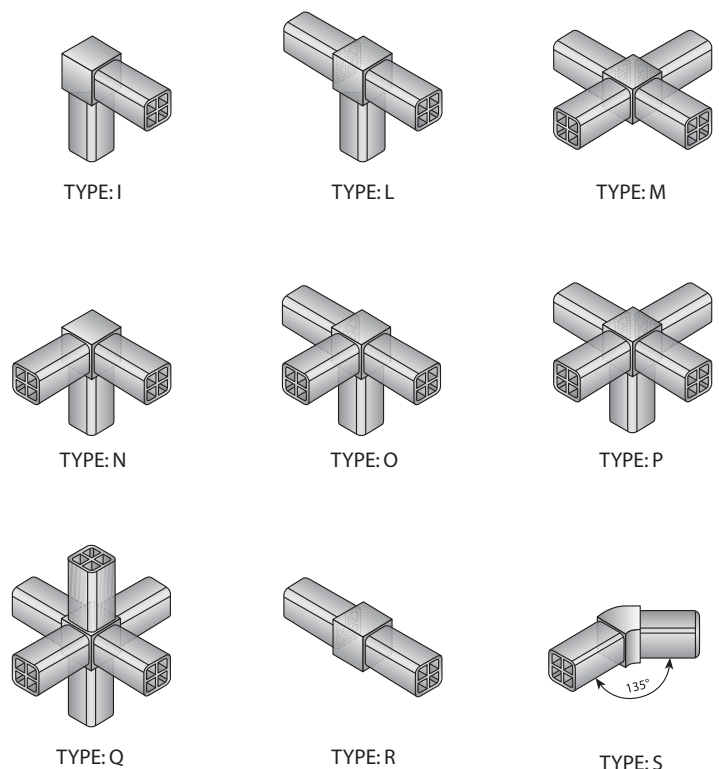
## FOR TUBES 30 x 30 x 2 mm



Code	Type		Material	
<b>40022</b>	I			
<b>40023</b>	L	-	PA-FG	Black
<b>40024</b>	M			
<b>40025</b>	N			
<b>40026</b>	O	-	PA-FG	Black
<b>40027</b>	P			
<b>40028</b>	Q			
<b>40029</b>	R	-	PA-FG	Black
<b>40036</b>	S			

### Application:

joints can be used with square tubes 30x30x2 mm.



# Connecting joints with aluminium insert

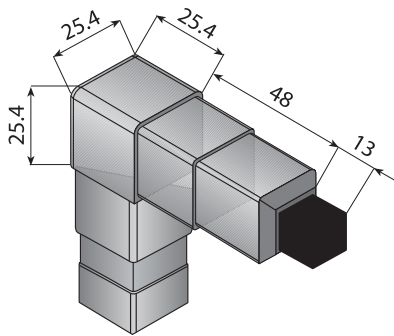
 Preferred type, readily available (codes marked in red)



Reinforced  
polyamide

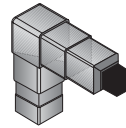


Aluminium

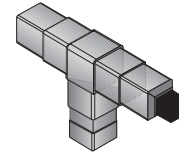


*Heavy Duty  
System*

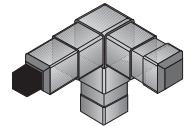
FOR TUBES 25 x 25 x 1,2 mm



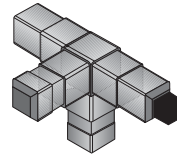
TYPE: AI



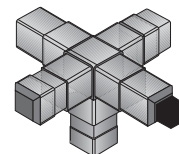
TYPE: BI



TYPE: DI



TYPE: EI



TYPE: FI

Code

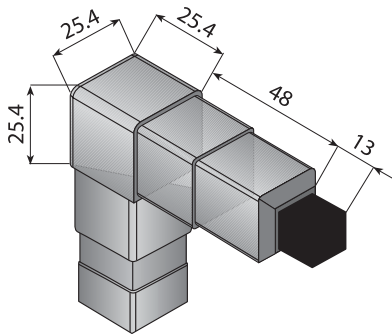
Type



40037	AI	n°50	Black
40038	BI		
40039	DI		
40047	EI		
40058	FI		

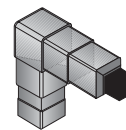
**Material:** reinforced polyamide with aluminium insert.

**Application:** joints can be used with square tubes 25x25x1,2 mm.

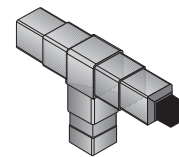


*Heavy Duty  
System*

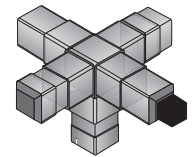
FOR TUBES 25 x 25 x 1.5 mm



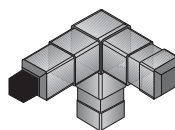
TYPE: II



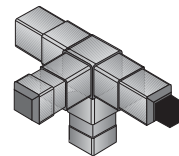
TYPE: LI



TYPE: MI



TYPE: NI



TYPE: OI

Code

Type



40043	II	n°50	Black
40044	LI		
40046	MI		
40045	NI		
40066	OI		

**Material:** reinforced polyamide with aluminium insert.

**Application:** joints can be used with square tubes 25x25x1,5 mm.

# Fixing clamps

Preferred type, readily available (codes marked in red)



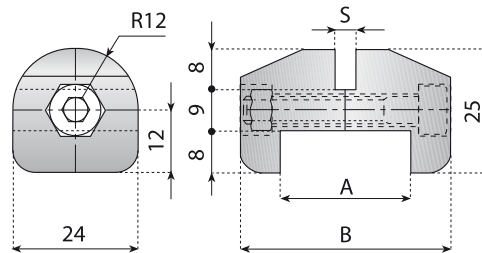
AISI 304  
Stainless steel



P.V.C.



Reinforced  
polyamide



## PANEL CLAMPS

**Material:** reinforced polyamide with stainless steel bolt.

**Application:** panel clamp permits rapid installation of panels.

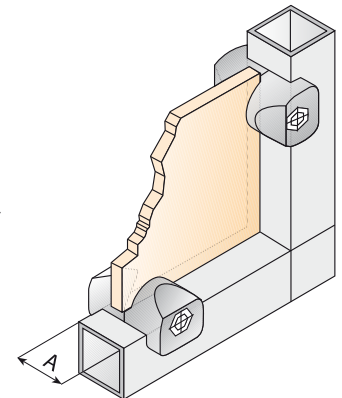
The distance of 8 mm. between the panel and the frame simplifies the safety guard cleaning.

It can be used with panels thickness 1.5 - 4 - 5 - 6 mm.

**Supply:** assembled.

Code	Tube	A	B	*S		
<b>40055</b>	25x25	25	40	1.5 mm	n°50	Black
<b>40051</b>	25x25	25	40	4 mm		
<b>40052</b>	25x25	25	40	5 mm		
<b>40053</b>	25x25	25	40	6 mm		
<b>40071</b>	30x30	30	45	4 mm		
<b>40072</b>	30x30	30	45	5 mm		
<b>40073</b>	30x30	30	45	6 mm		

\*S = Panel thickness



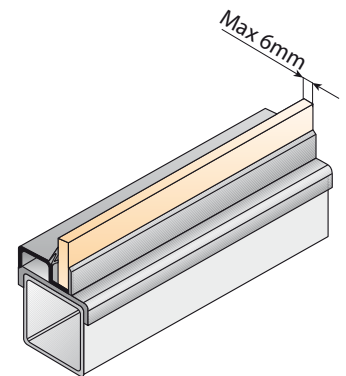
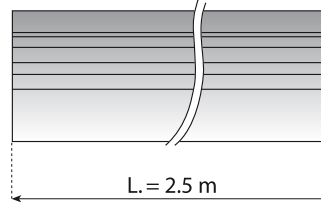
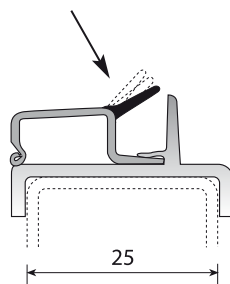
## PROFILE FOR PLAIN TUBES

**Material:** rigid - flexible P.V.C.

**Application:** this profile can be used with plain tubes 25x25 mm in different materials.

If used for the mount panels and windows it offers the possibility to remove the panels without disassembling the complete structure, thanks to the special profile in PVC, partially rigid and partially flexible.

FLEXIBLE EDGE



Code

**40064**



2.5 m



n°10



Black

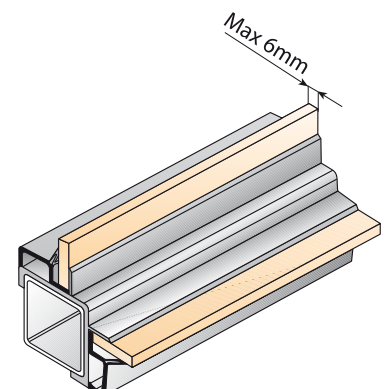
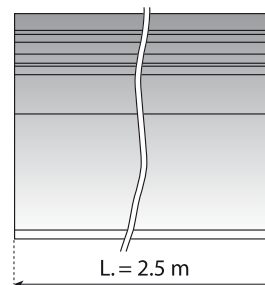
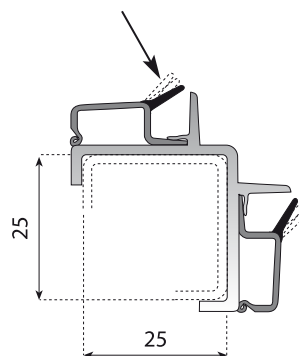
## PROFILE FOR PLAIN TUBES

**Material:** rigid - flexible P.V.C.  
**Colour:** black.

**Application:** this profile can be used with plain tubes 25x25 mm in different materials.

If used for the mount panels and windows it offers the possibility to remove the panels without disassembling the complete structure, thanks to the special profile in PVC, partially rigid and partially flexible.

FLEXIBLE EDGE



Code

**40065**



2.5 m



n°10



Black

# Fixing profiles

 Preferred type, readily available (codes marked in red)



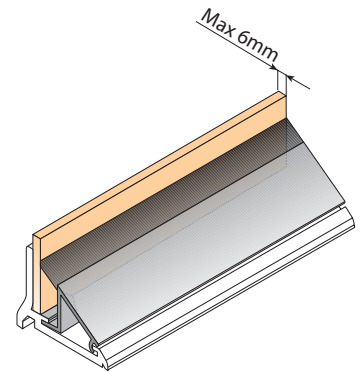
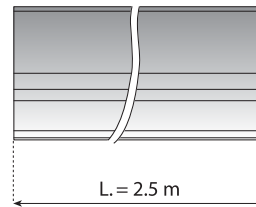
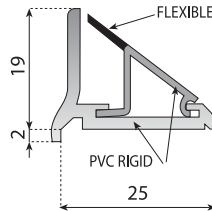
## PROFILE FOR PLAIN TUBES

**Material:** rigid - flexible P.V.C.

**Application:** this profile can be used with plain tubes 25x25 mm in different materials.

If used for the mounting of panels and windows it offers the possibility to remove the panels without disassembling the complete structure, thanks to the special profile in PVC, partially rigid and partially flexible.

The special design of this section will accommodate panels of 3 - 4 - 5 - 6 mm.



Code

**40048**



2.5 m



n°10



Black

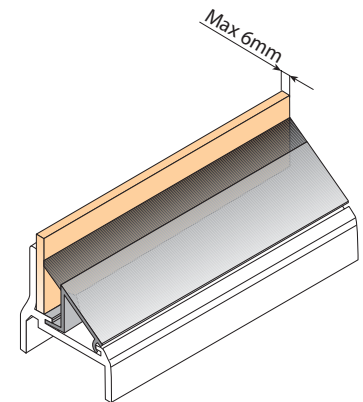
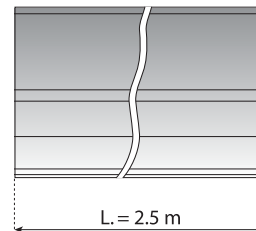
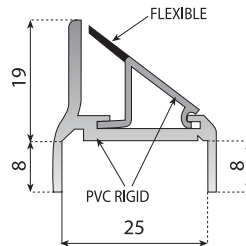
## SYSTEM FRAME PROFILE FOR PLAIN TUBES

**Material:** rigid - flexible P.V.C.

**Application:** this profile can be used with plain tubes 25x25 mm in different materials.

If used for the mounting of panels and windows it offers the possibility to remove the panels without disassembling the complete structure, thanks to the special profile in PVC, partially rigid and partially flexible.

The special design of this section will accommodate panels of 3-4-5-6 mm.



Code

**40049**



2.5 m



n°10



Black

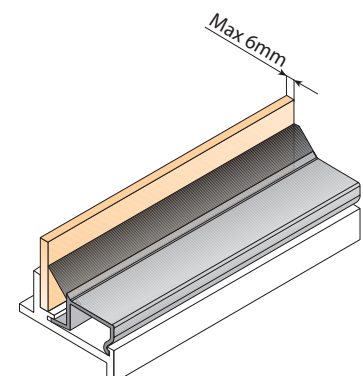
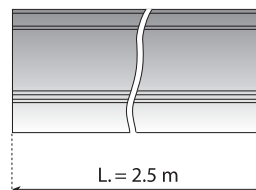
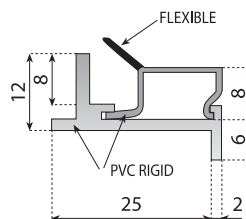
## SYSTEM FRAME PROFILE FOR PLAIN TUBES

**Material:** rigid - flexible P.V.C.

**Application:** This profile can be used with plain tubes 25x25 mm or 30x30 mm in different materials.

If used for the mounting of panels and windows it offers the possibility to remove the panels without disassembling the complete structure, thanks to the special profile in PVC, partially rigid and partially flexible.

The special design of this section will accommodate panels of 3-4-5-6 mm.



Code

**40056**



2.5 m



n°10



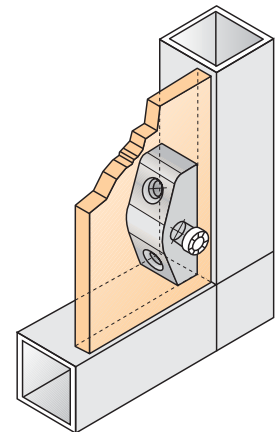
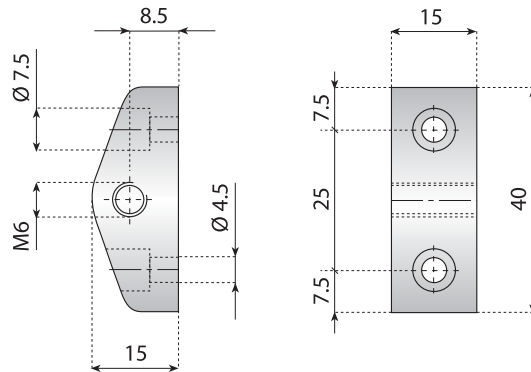
Black

# Accessories

Preferred type, readily available (codes marked in red)

**PE**  
Polyethylene UHMW

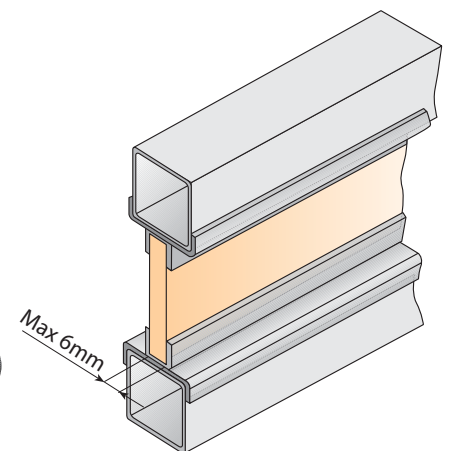
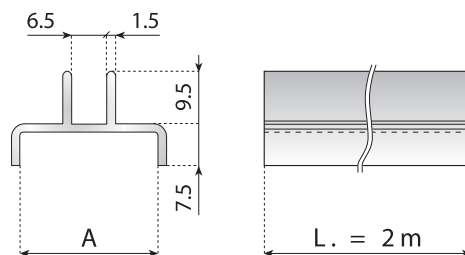
**PA FG**  
Reinforced polyamide



## FIXING BLOCK

**Application:** block permits rapid installation of the panels and can be used with panels of different thickness.  
**Supply:** without screws.

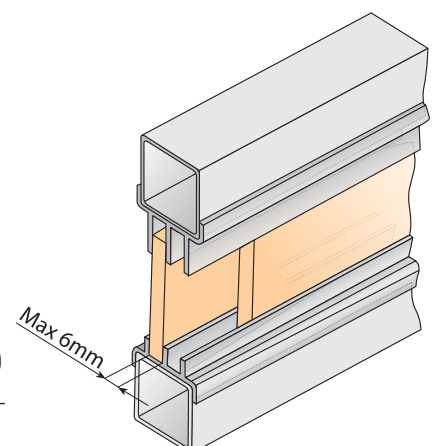
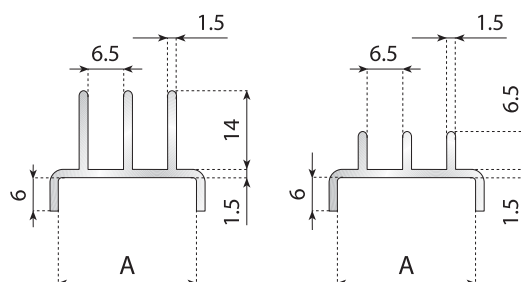
Code			Material	
<b>40060</b>	2.5 m	n°10	PA-FG	Black



## PROFILE FOR PLAIN TUBE

**Application:** this profile can be used with square tubes 25x25 mm or 30x30 mm in different materials.

Code	A			Material	
<b>40057</b>	25	2 m	n°100	PE 1000	Black
<b>40075</b>	30				



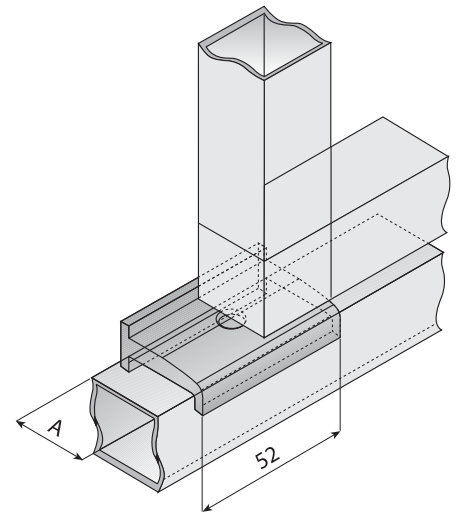
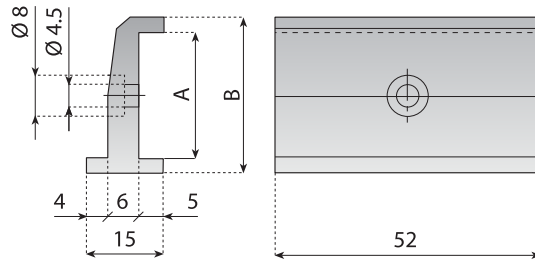
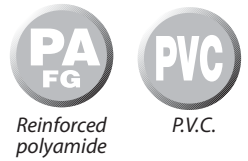
## PROFILE FOR SLIDING PANELS

**Application:** this profile can be used with square tubes 25x25 mm or 30x30 mm in different materials. It is used for small sliding windows.  
**\*Supply:** 2 m lengths in stock (1 upper and 1 lower profile).

Code	A			Material	
<b>40054</b>	25	2 m*	n°10	PE 1000	Black
<b>40076</b>	30				



# Accessories

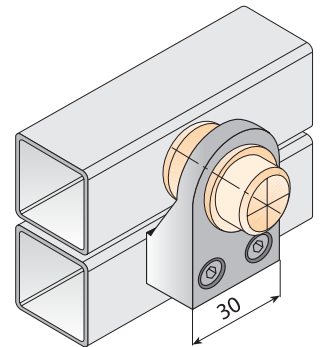
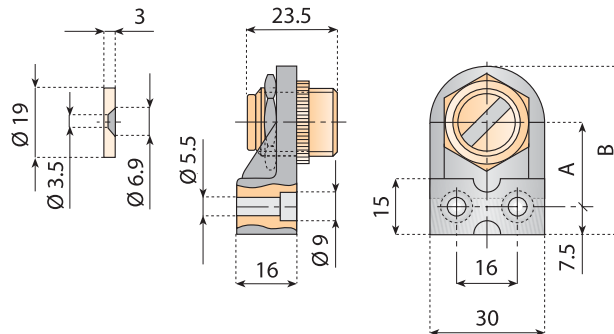
 Preferred type, readily available (codes marked in red)



## DOOR STOP



**Application:** door stop is normally used in order to support and position doors or windows of machine guards.

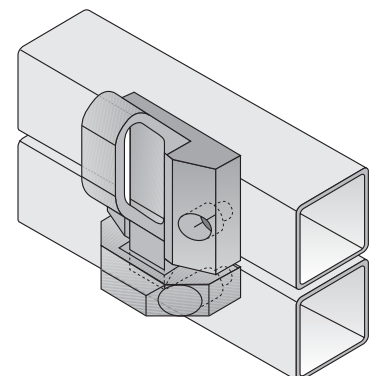
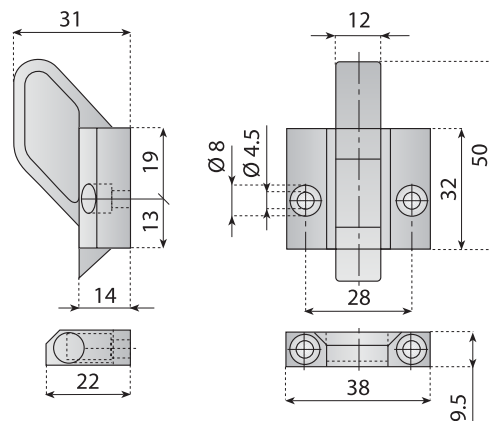
Code	A	B		Material	
<b>40050</b>	25	31	n°100	PA-FG	Black
<b>40077</b>	30	36			



## MAGNETIC LOCK

**Application:** the magnetic lock guarantees rapid door locking. It is easy to install and can be used with various structures in different materials.

Code	A	B		Material	
<b>14120</b>	22.5	45	n°100	PA-FG	Black
<b>14134</b>	37	59.5			



## SPRING LOADED LATCH

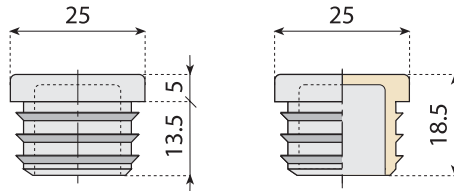
**Application:** the latch guarantees a secure locking of doors and windows, and prevents the possibility of accidental opening.

Code		Material	
<b>40059</b>	n°100	PA-FG	Black

# Closing caps

 Preferred type, readily available (codes marked in red)

**PE**  
Polyethylene

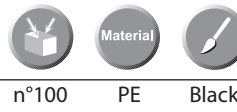


## CLOSING CAPS

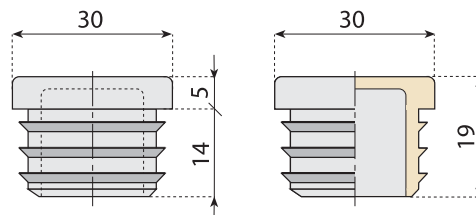
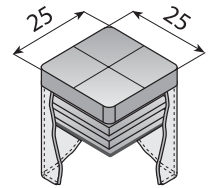
**Application:** square tubes, dimensions 25x25x1.5 mm or 25x25x1.2 mm.

Code

**40010**



n°100 PE Black

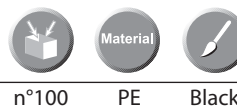


## CLOSING CAPS

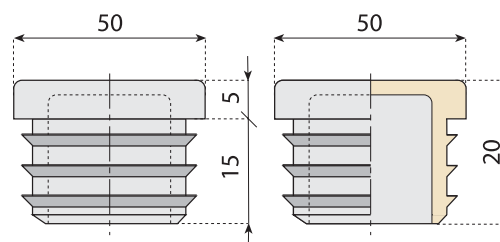
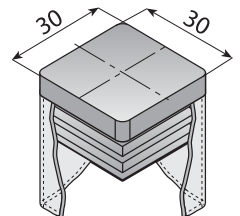
**Application:** square tubes, dimensions 30x30x2 mm.

Code

**40030**



n°100 PE Black

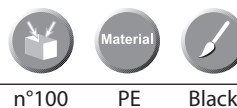


## CLOSING CAPS

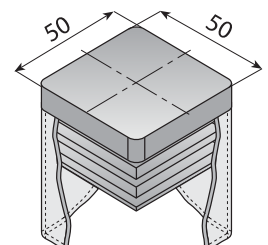
**Application:** square tubes, dimensions 50x50x2.5 mm.

Code

**40011**



n°100 PE Black

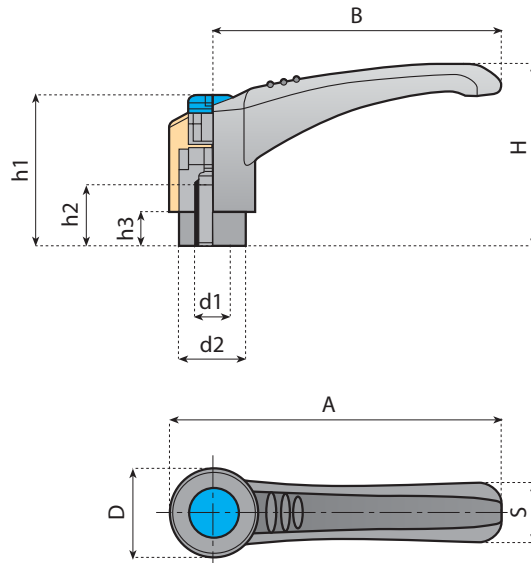


# Adjustable handles

 Preferred type, readily available (codes marked in red)



*New design*



AISI 304  
Stainless steel





Nickel plated brass

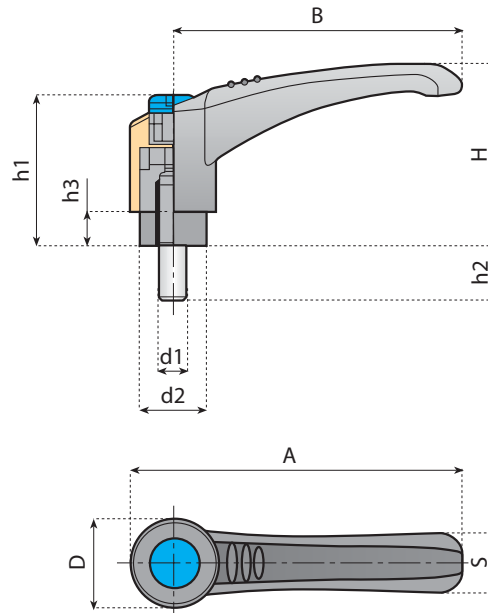


Polyamide

## ADJUSTABLE HANDLE



**Material:** polyamide, insert in nickel plated brass.

Code	A	B	H	D	S	d1	d2	h1	h2	h3		
<b>14220</b>	53	45	33.5	16	10.5	M6	12	29	8	7.5	n°50	Black
<b>14221</b>	75	65	41	20	13.5	M8	15	34	11	7.5		
<b>14222</b>	92	80	53	24	16.5	M10	20	44	16	12		



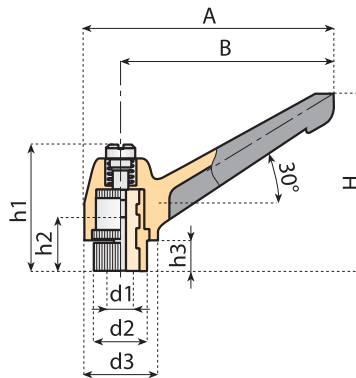
## ADJUSTABLE HANDLE

**Material:** polyamide, threaded insert in stainless steel AISI 304.

Code	A	B	H	D	S	d1	d2	h1	h2	h3		
<b>14230</b>	53	45	33.5	16	10.5	M6	12	29	20	7.5	n°50	Black
<b>14231</b>									30			
<b>14232</b>	75	65	41	20	13.5	M8	15	34	20	7.5		
<b>14234</b>									30			
<b>14235</b>	92	80	53	24	16.5	M10	20	44	25	12	n°50	Black
<b>14236</b>									30			

# Adjustable handles

Preferred type, readily available (codes marked in red)



**SS 304**

AISI 304  
Stainless steel

**NPB**

Nickel plated brass

**PA**

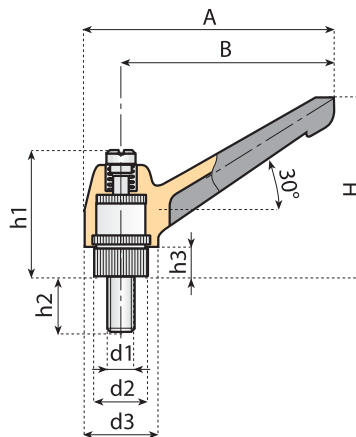
Polyamide



## ADJUSTABLE HANDLE (30°)

**Material:** polyamide, insert in nickel plated brass.

Code	A	B	H	d1	d2	d3	h1	h2	h3		
<b>14200</b>	49	40	38	M6	11	18	30	12	7		
<b>14201</b>	65	55	49	M8	14	22	37	14	10	n°50	Black
<b>14202</b>	93	80	68	M10	20	29	48	20	12		



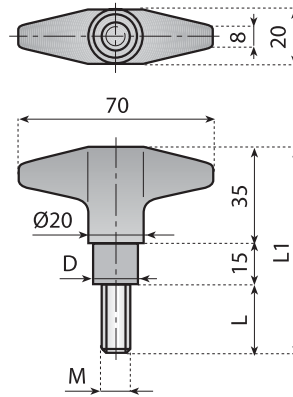
## ADJUSTABLE HANDLE (30°)

**Material:** polyamide, threaded insert in stainless steel AISI 304.

Code	A	B	H	d1	d2	d3	h1	h2	h3		
<b>14199</b>	49	40	38	M6	11	18	30	15	7	n°50	Black
<b>14203</b>								20			
<b>14204</b>								25			
<b>14205</b>	65	55	49	M8	14	22	37	30	10	n°50	Black
<b>14208</b>								60			
<b>14206</b>	93	80	68	M10	20	29	48	25	12	n°50	Black
<b>14207</b>								30			

# T-knob and tightening lever

 Preferred type, readily available (codes marked in red)





Nickel plated brass

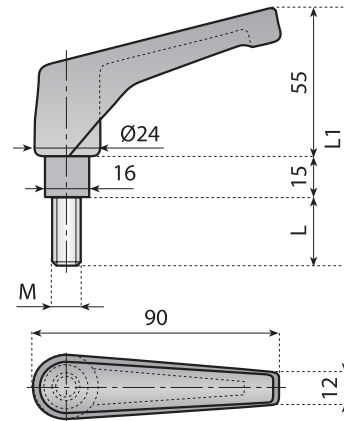


Polyamide

## T-KNOB



**Material:** polyamide, insert in nickel plated brass.

Code	M	D	L	L1		
<b>13058</b>			20	70		
<b>13059</b>	M6	10	25	75	n°50	Black
<b>13060</b>			30	80		
<b>13061</b>			20	70		
<b>13062</b>	M8	10	25	75	n°50	Black
<b>13063</b>			30	80		
<b>13064</b>			20	70		
<b>13065</b>	M10	16	25	75	n°50	Black
<b>13066</b>			30	80		



## TIGHTENING LEVER

**Material:** polyamide with nickel plated brass insert.

Code	M	A	L1		
<b>13076</b>		20	90		
<b>13077</b>	M8	25	95	n°50	Black
<b>13078</b>		30	100		
<b>13079</b>		20	90		
<b>13080</b>	M10	25	95	n°50	Black
<b>13081</b>		30	100		

# Starknob male

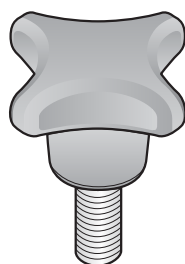
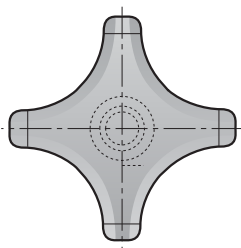
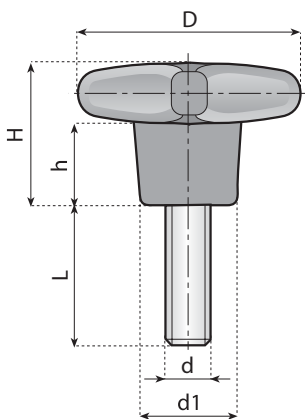
Preferred type, readily available (codes marked in red)



AISI 304  
Stainless steel



Polyamide



Code		D	d	L	H	h	d1	
Black	Orange							
<b>13414</b>	<b>13414A</b>	20	M4	10	13	7	8.5	n°100
<b>13415</b>	<b>13415A</b>		M4	15				
<b>13416</b>	<b>13416A</b>		M4	20				
<b>13417</b>	<b>13417A</b>		M4	25				
<b>13418</b>	<b>13418A</b>		M5	10				
<b>13419</b>	<b>13419A</b>		M5	15				
<b>13420</b>	<b>13420A</b>		M5	20				
<b>13421</b>	<b>13421A</b>		M5	25				
<b>13422</b>	<b>13422A</b>		M6	10				
<b>13423</b>	<b>13423A</b>		M6	15				
<b>13424</b>	<b>13424A</b>	M6	20					
<b>13425</b>	<b>13425A</b>	M6	25					
<b>13426</b>	<b>13426A</b>	25	M4	10	16	8.5	11.5	n°100
<b>13427</b>	<b>13427A</b>		M4	15				
<b>13428</b>	<b>13428A</b>		M4	20				
<b>13429</b>	<b>13429A</b>		M4	25				
<b>13430</b>	<b>13430A</b>		M5	10				
<b>13431</b>	<b>13431A</b>		M5	15				
<b>13432</b>	<b>13432A</b>		M5	20				
<b>13433</b>	<b>13433A</b>		M5	25				
<b>13434</b>	<b>13434A</b>		M6	10				
<b>13435</b>	<b>13435A</b>		M6	15				
<b>13436</b>	<b>13436A</b>	M6	20					
<b>13437</b>	<b>13437A</b>	M6	25					
<b>13438</b>	<b>13438A</b>	30	M5	15	20.5	11.5	14	n°100
<b>13439</b>	<b>13439A</b>		M5	20				
<b>13440</b>	<b>13440A</b>		M5	25				
<b>13441</b>	<b>13441A</b>		M5	30				
<b>13442</b>	<b>13442A</b>		M6	15				
<b>13443</b>	<b>13443A</b>		M6	20				
<b>13444</b>	<b>13444A</b>		M6	25				
<b>13445</b>	<b>13445A</b>		M6	30				
<b>13446</b>	<b>13446A</b>		M8	15				
<b>13447</b>	<b>13447A</b>		M8	20				
<b>13448</b>	<b>13448A</b>	M8	25					
<b>13449</b>	<b>13449A</b>	M8	30					
<b>13450</b>	<b>13450A</b>	40	M6	15	25.5	14.5	17	n°100
<b>13451</b>	<b>13451A</b>		M6	20				
<b>13452</b>	<b>13452A</b>		M6	25				
<b>13453</b>	<b>13453A</b>		M6	30				
<b>13454</b>	<b>13454A</b>		M8	15				
<b>13350</b>	<b>13350A</b>		M8	20				
<b>13456</b>	<b>13456A</b>		M8	25				
<b>13457</b>	<b>13457A</b>		M8	30				
<b>13458</b>	<b>13458A</b>		M10	20				
<b>13459</b>	<b>13459A</b>		M10	25				
<b>13460</b>	<b>13460A</b>	M10	30					
<b>13461</b>	<b>13461A</b>	M10	35					
<b>13462</b>	<b>13462A</b>	50	M6	15	32	19	22	n°100
<b>13463</b>	<b>13463A</b>		M6	20				
<b>13464</b>	<b>13464A</b>		M6	25				
<b>13465</b>	<b>13465A</b>		M6	30				
<b>13466</b>	<b>13466A</b>		M8	15				
<b>13467</b>	<b>13467A</b>		M8	20				
<b>13468</b>	<b>13468A</b>		M8	25				
<b>13469</b>	<b>13469A</b>		M8	30				
<b>13470</b>	<b>13470A</b>		M10	20				
<b>13471</b>	<b>13471A</b>		M10	25				
<b>13472</b>	<b>13472A</b>	M10	30					
<b>13473</b>	<b>13473A</b>	M10	35					

## STARKNOB

**Material:** polyamide, threaded insert in stainless steel AISI 304.

**Note:** starknob DIN 6335.

# Starknob female

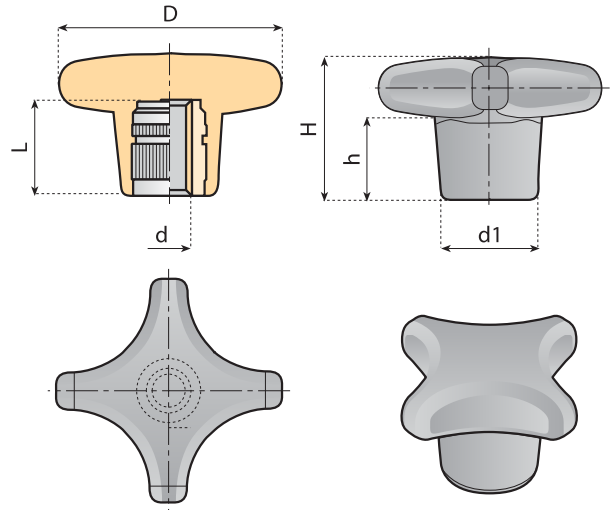
 Preferred type, readily available (codes marked in red)




Nickel plated brass



Polyamide

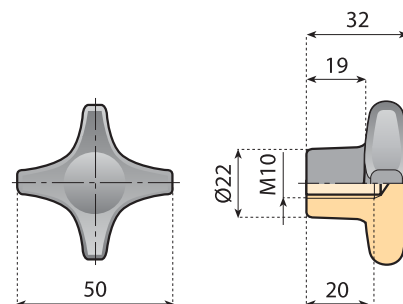


Code		D	d	L	H	h	d1	
Black	Orange							
<b>13474</b>	<b>13474A</b>		M4					
<b>13475</b>	<b>13475A</b>	20	M5	9	13	7	8.5	n°100
<b>13476</b>	<b>13476A</b>		M6					
<b>13477</b>	<b>13477A</b>		M4					
<b>13478</b>	<b>13478A</b>	25	M5	9	16	8.5	11.5	n°100
<b>13479</b>	<b>13479A</b>		M6					
<b>13480</b>	<b>13480A</b>		M8					
<b>13481</b>	<b>13481A</b>		M5					
<b>13482</b>	<b>13482A</b>	30	M6	15	20.5	11.5	14	n°100
<b>13483</b>	<b>13483A</b>		M8					
<b>13484</b>	<b>13484A</b>		M6					
<b>13485</b>	<b>13485A</b>	40	M8	17	25.5	14.5	17	n°100
<b>13486</b>	<b>13486A</b>		M10					
<b>13487</b>	<b>13487A</b>		M6					
<b>13488</b>	<b>13488A</b>	50	M8	17	32	19	22	n°100
<b>13489</b>	<b>13489A</b>		M10					

## STARKNOB

**Material:** polyamide, bushing in nickel plated brass.

**Note:** starknob DIN 6335.



## KNOB

**Note:** max. torque on the knob 3.5 Kgm.

**Code**  
**13489S** Without insert



n°100



Black

# Knobs

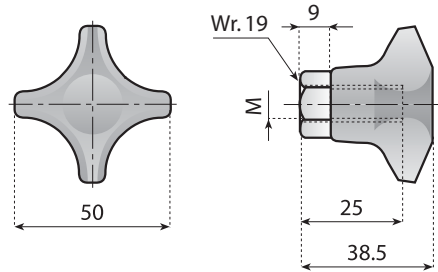
Preferred type, readily available (codes marked in red)



Nickel plated brass



Reinforced polyamide

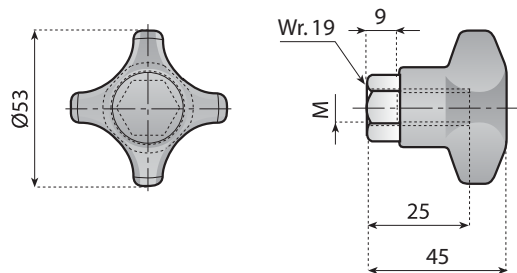


## KNOB

**Material:** reinforced polyamide, hexagonal insert in nickel plated brass.

**Note:** max. torque on the knob 2.5 Kgm.  
For further tightening work on the hexagon.

Code	M	
<b>13341</b>	6	n°100
<b>13345</b>	8	
<b>13343</b>	10	

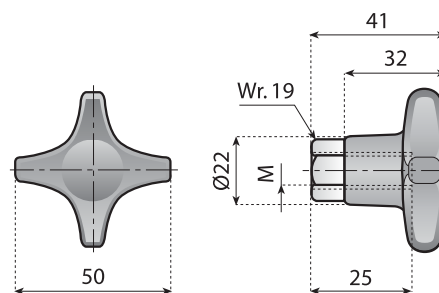


## KNOB

**Material:** reinforced polyamide, hexagonal insert in nickel plated brass.

**Note:** max. torque on the knob 2.5 Kgm.  
For further tightening work on the hexagon.

Code	M	
<b>13357</b>	6	n°100
<b>13356</b>	8	
<b>13355</b>	10	



## KNOB

**Material:** reinforced polyamide with nickel plated brass insert.

**Note:** max. torque on the knob 3.5 Kgm.

Code	M	
<b>13491</b>	6	n°100
<b>13492</b>	8	
<b>13493</b>	10	

# Knobs

 Preferred type, readily available (codes marked in red)

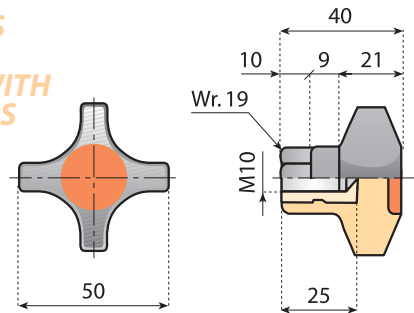


Nickel plated brass



Reinforced polyamide

ON REQUEST IT IS POSSIBLE TO SUPPLY KNOBS WITH CUSTOMIZED CAPS



## KNOB

**Material:** reinforced polyamide, insert in nickel plated brass.

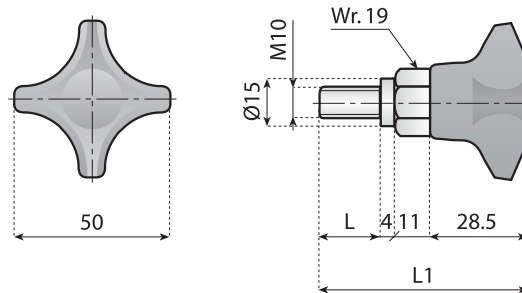
**Note:** max. torque on the knob 2 Kgm.

Code

**13338**



n°100



## KNOB

**Material:** reinforced polyamide, hexagonal insert in nickel plated brass.

**Note:** max. torque on the knob 2,5 Kgm.

For further tightening work on the hexagon.

Code

**13342**

L

11.5

L1

54



**13349**

20

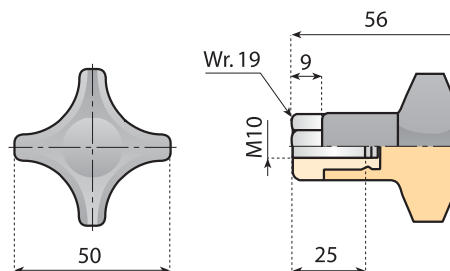
62.5

n°100

**13348**

25

67.5



## KNOB

**Material:** reinforced polyamide, hexagonal insert in nickel plated brass.

**Note:** max. torque on the knob 2,5 Kgm.

For further tightening work on the hexagon.

Code

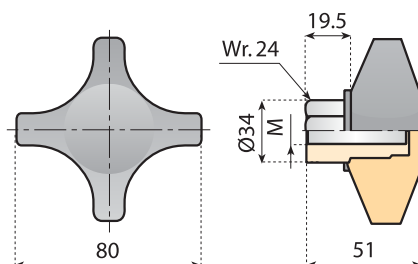
**13344**



n°100

# Knobs

Preferred type, readily available (codes marked in red)



Nickel plated brass



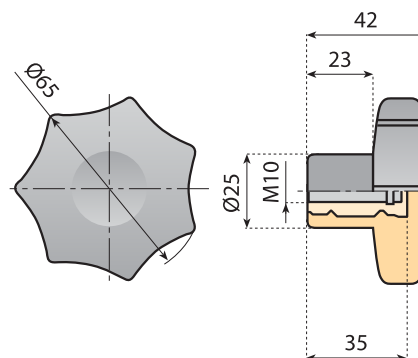
Reinforced polyamide

## KNOB

**Material:** reinforced polyamide, hexagonal insert in nickel plated brass.

**Note:** max. torque on the knob 2,5 kgm.  
For further tightening work on the hexagon.

Code	M	
<b>13346</b>	12	n°100
<b>13347</b>	16	



## KNOB

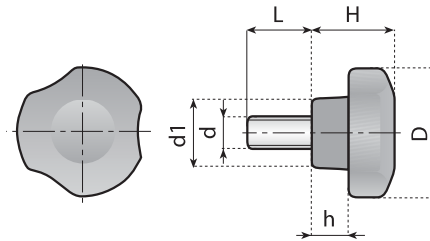
**Material:** reinforced polyamide, with nickel plated brass insert.


**Note:** max. torque on the knob 2,5 kgm.

Code	
<b>13340</b>	n°100

# Knobs

 Preferred type, readily available (codes marked in red)



Code	D	d	L	H	h	d1	
13550		M4	10				
13551	20	M4	15	13	5	13	n°100
13552		M5	15				
13553		M5	20				
13554		M4	10				
13555		M4	15				
13556	25	M5	15	16	6	14	n°100
13557		M5	20				
13558		M6	20				
13559		M6	25				
13560		M6	15				
13561		M6	20				
13562	30	M8	20	19	7	17	n°100
13563		M8	25				
13564		M10	25				
13565		M10	30				
13566		M6	20				
13567		M6	25				
13568	40	M8	25	25	11	21	n°100
13569		M8	30				
13570		M10	30				
13571		M10	40				
13572		M8	25				
13573		M8	30				
13574	50	M10	30	30	13	24	n°100
13575		M10	40				
13576		M12	40				
13577		M12	50				

## KNOB WITH THREADED PIN

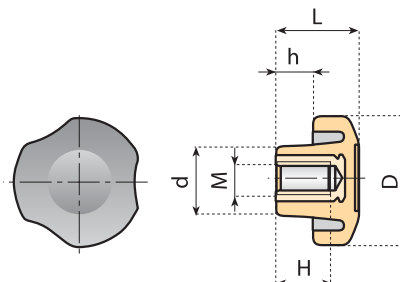
**Material:** reinforced polyamide with threaded insert in zinc plated steel.


**Note:** max. torque on the knob 2 Kgm.

**NPB**  
Nickel plated brass

**PA  
FG**  
Reinforced polyamide

**Zn**  
Zinc plated steel



Code	D	M	d	L	H	h	
13402	20	4	13	13	9	5	
13403	20	5	13	13	9	5	
13404	25	5	14	16	9	6	
13405	25	6	14	16	9	6	
13406	30	6	17	19	11	7	
13407	30	8	17	19	11	7	
13408	30	10	17	19	11	7	n°100
13401	40	8	21	25	16	11	
13409	40	10	21	25	16	11	
13410	50	10	24	30	18	13	
13411	50	12	24	30	18	13	
13412	60	12	28	38	25	17	
13413	60	14	28	38	25	17	

## KNOB

**Material:** reinforced polyamide with nickel plated brass insert.

**Note:** max. torque on the knob 2 Kgm.

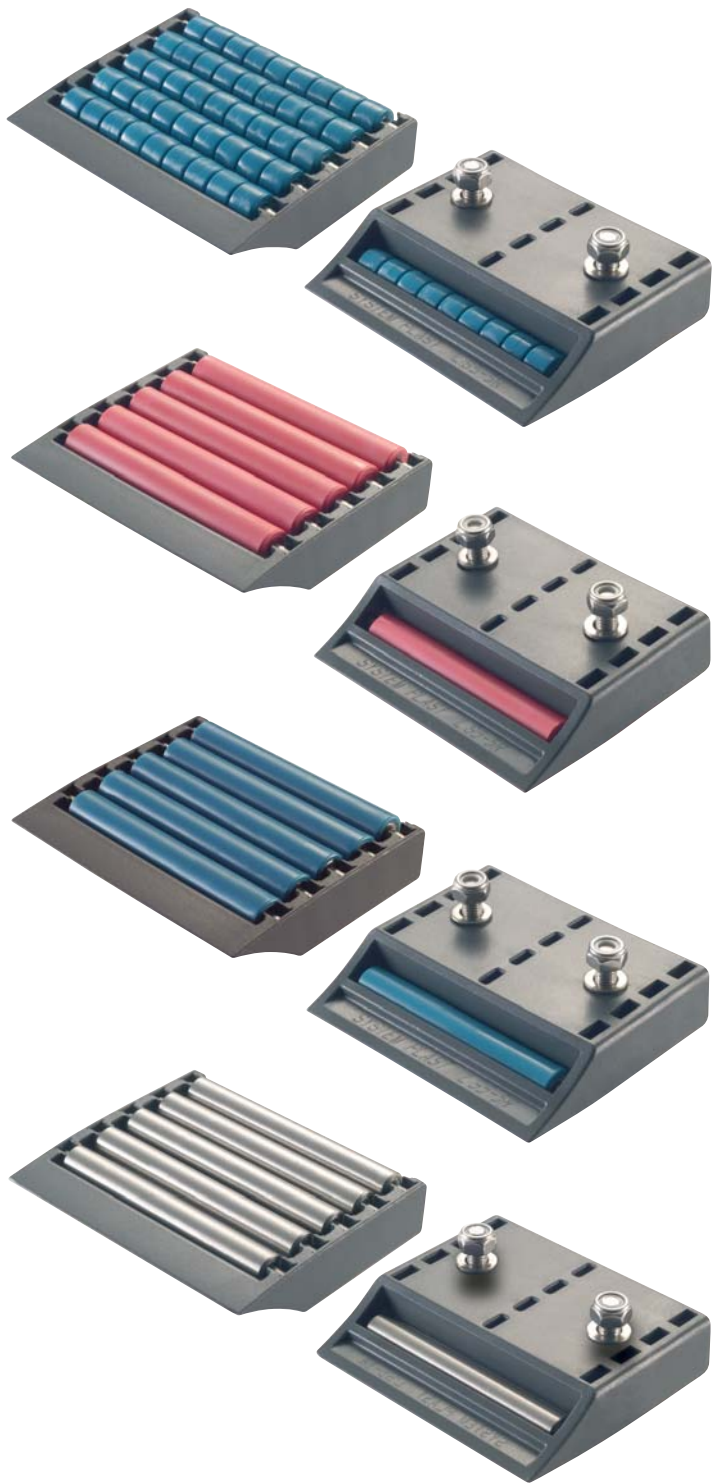
# Modular transfer plates with rollers

- Create a smooth transfer between two conveyors
- Can be used individually or back-to-back
- Ultra low friction
- Low noise rollers



For heavy duty construction, and for bigger width please see page 328-330

- Clean design
- Easy, flexible mounting
- Modular set-up in width and length
- Available in 85 or 115 mm width



Type: **MR**  
Plastic Multi Rollers



Type: **SR**  
Single Plastic Roller in low noise version



Type: **SSA**  
Plastic Roller with ball bearing



Type: **SS**  
Stainless Steel Roller with ball bearing



### The range

The transfer plates are available in four different versions in order to be compatible with many applications.

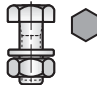
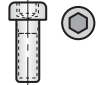

### Material

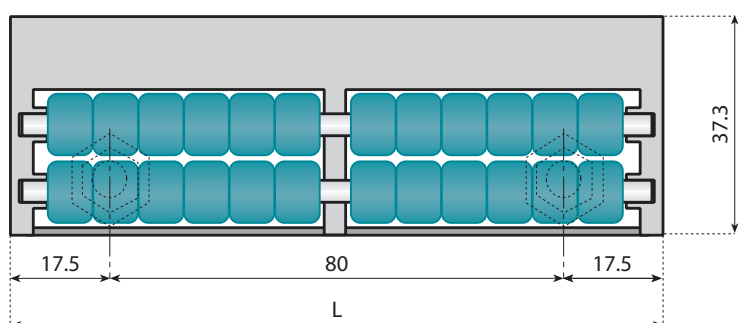
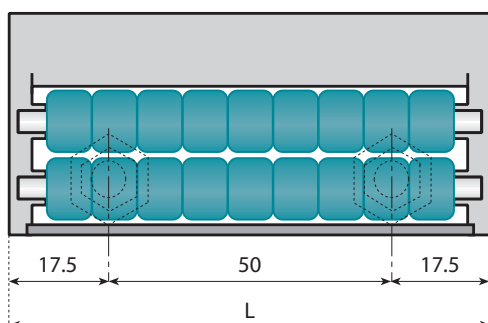
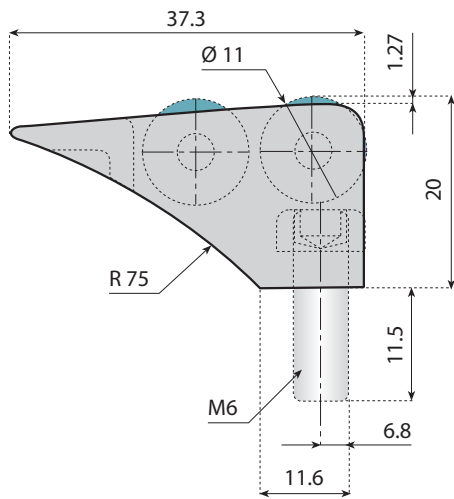
- Frame in acetal resin
- Rollers in low noise material or stainless steel.
- Pins, washers and bolts in stainless steel AISI 304.
- Supply: assembled.
- Packaging: 10 pieces.

# Modular transfer plates with rollers

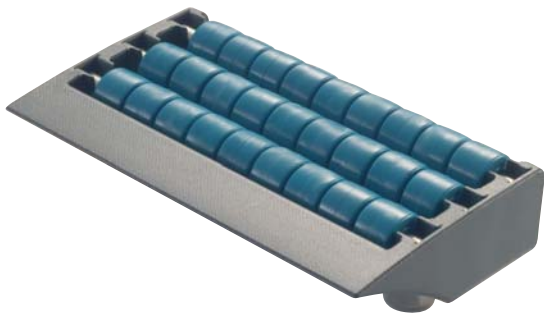


**MODULE WITH TWO ROWS OF ROLLERS**  
Width L=85 or L=115

TYPE	L	Fastener M6		Nut M6	Without screws
					
MR	85	16777	16777S	16777D	16777W
SR		16777-SR	16777S-SR	16777D-SR	16777W-SR
SSA		16777-SSA	16777S-SSA	16777D-SSA	16777W-SSA
SS	115	16777-SS	16777S-SS	16777D-SS	16777W-SS
MR		16778	16778S	16778D	16778W
SR		16778-SR	16778S-SR	16778D-SR	16778W-SR
SSA		16778-SSA	16778S-SSA	16778D-SSA	16778W-SSA
SS		16778-SS	16778S-SS	16778D-SS	16778W-SS



# Modular transfer plates with rollers



AISI 430  
Stainless steel



P.B.T.

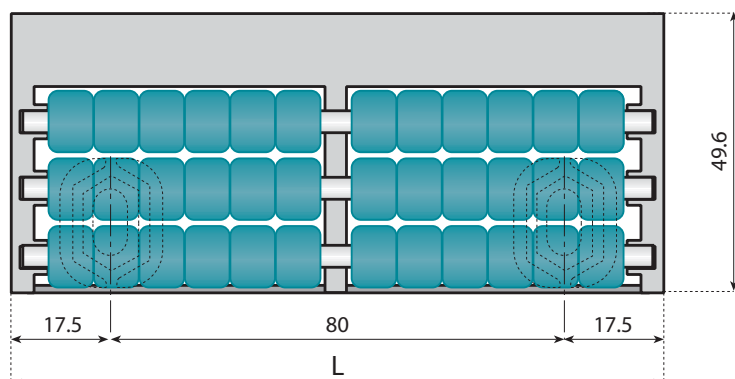
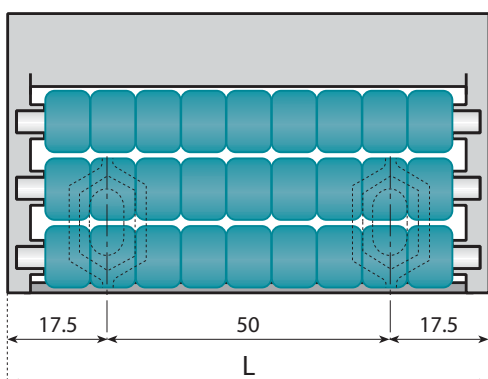
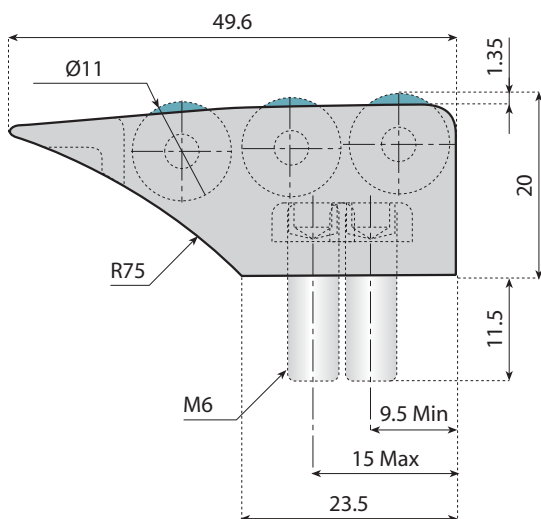


Acetal resin

**MODULE WITH THREE ROWS OF ROLLERS**  
Width L=85 or L=115

**PLATE FASTENING**  
The slotted holes allow a 5 mm movement of the bolts.

TYPE	L	Fastener M6		Nut M6	Without screws
MR	85	16770	16770S	16770D	16770W
SR		16770-SR	16770S-SR	16770D-SR	16770W-SR
SSA		16770-SSA	16770S-SSA	16770D-SSA	16770W-SSA
SS		16770-SS	16770S-SS	16770D-SS	16770W-SS
MR	115	16771	16771S	16771D	16771W
SR		16771-SR	16771S-SR	16771D-SR	16771W-SR
SSA		16771-SSA	16771S-SSA	16771D-SSA	16771W-SSA
SS		16771-SS	16771S-SS	16771D-SS	16771W-SS



# Modular transfer plates with rollers



AISI 430  
Stainless steel



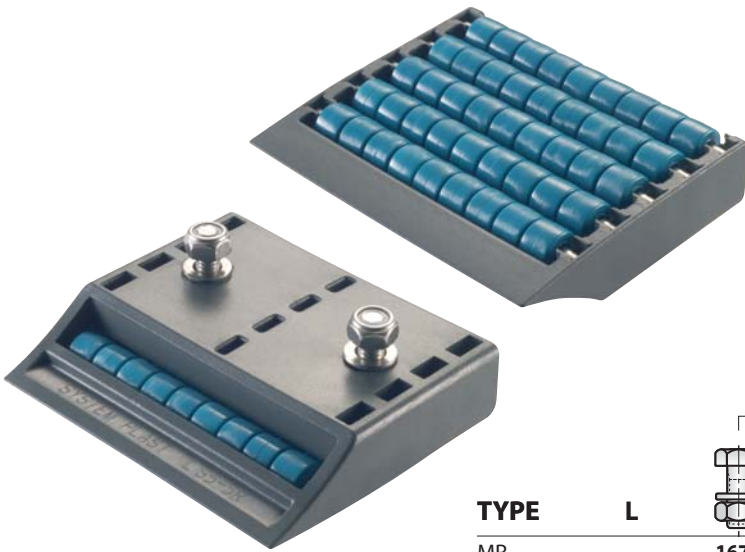
P.B.T.



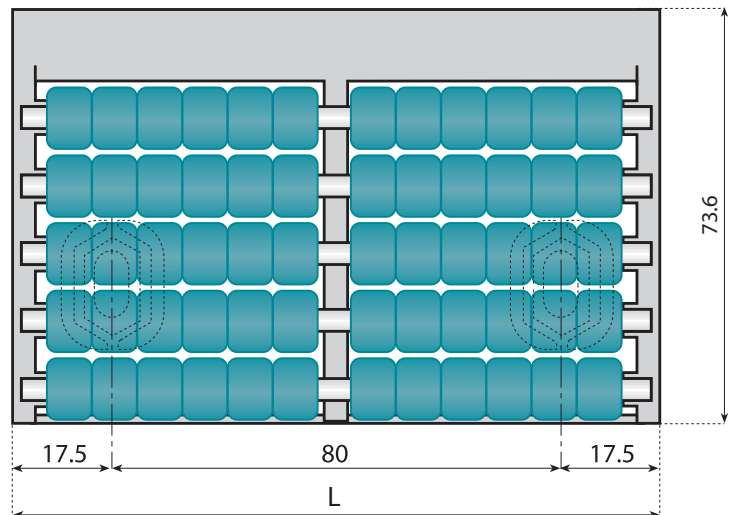
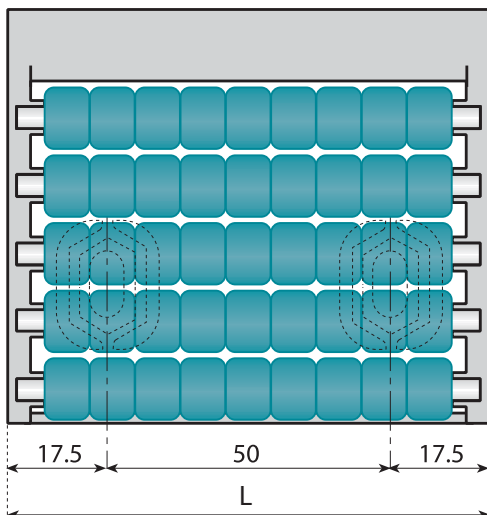
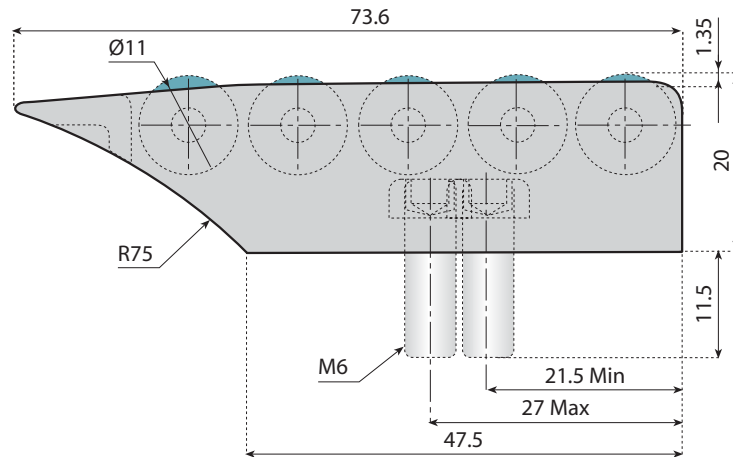
Acetal resin

**MODULE WITH FIVE ROWS OF ROLLERS**  
Width L=85 or L=115

**PLATE FASTENING**  
The slotted holes allow a 5 mm movement of the bolts.

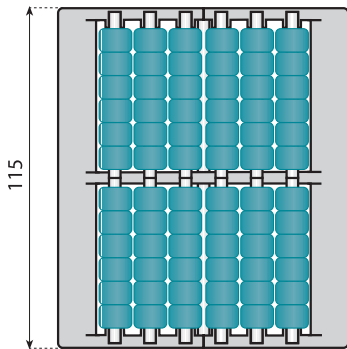
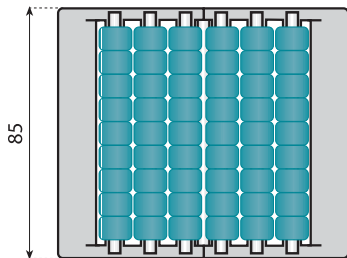
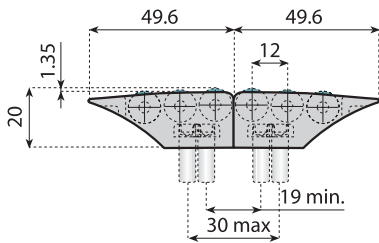


TYPE	L	Fastener M6		Nut M6	Without screws
MR	85	16772	16772S	16772D	16772W
SR		16772-SR	16772S-SR	16772D-SR	16772W-SR
SSA		16772-SSA	16772S-SSA	16772D-SSA	16772W-SSA
SS		16772-SS	16772S-SS	16772D-SS	16772W-SS
MR	115	16773	16773S	16773D	16773W
SR		16773-SR	16773S-SR	16773D-SR	16773W-SR
SSA		16773-SSA	16773S-SSA	16773D-SSA	16773W-SSA
SS		16773-SS	16773S-SS	16773D-SS	16773W-SS

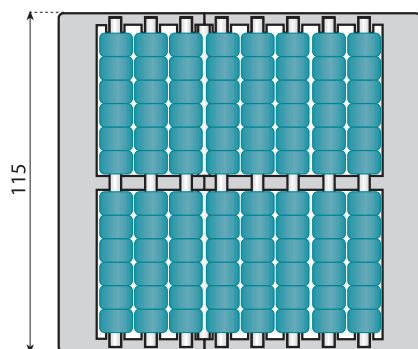
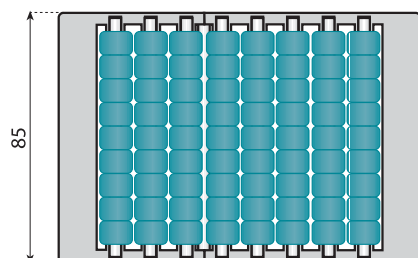
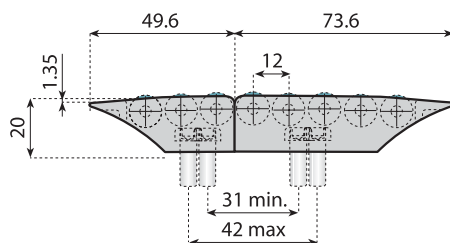


# Examples of assembly

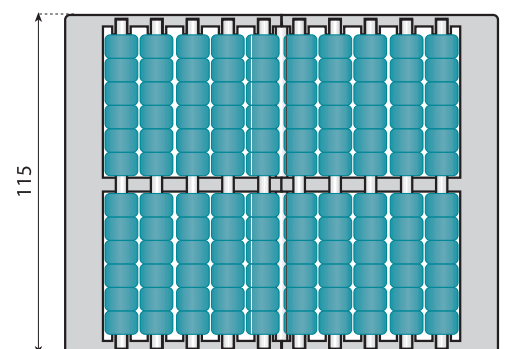
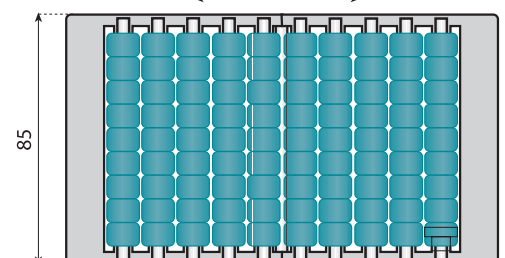
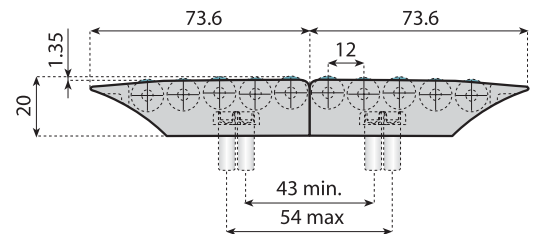
Assembly with two modules of three rows of rollers



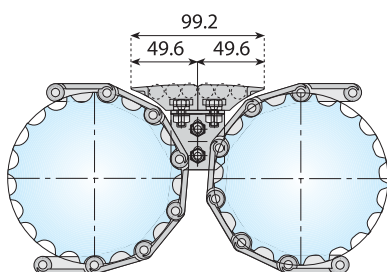
Assembly with two modules:  
- One module with three rows of rollers  
- One module with five rows of rollers



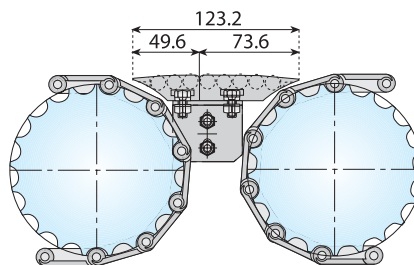
Assembly with two modules of five rows of rollers



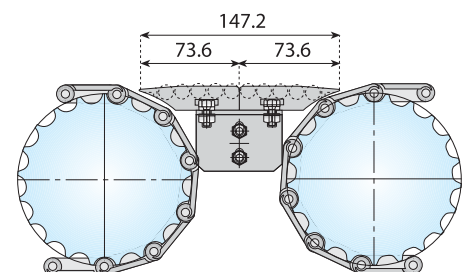
## HEAD TO TAIL TRANSFER Examples of assembly



Head to tail transfer with two modules of three rows of rollers.  
Assembly with stainless steel or plastic resin flat top chains.  
Top plate thickness from 3 mm to 4.8 mm

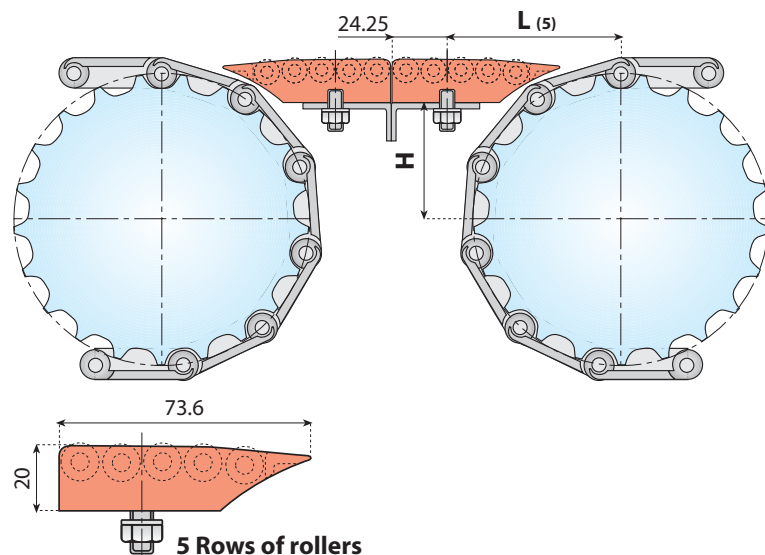
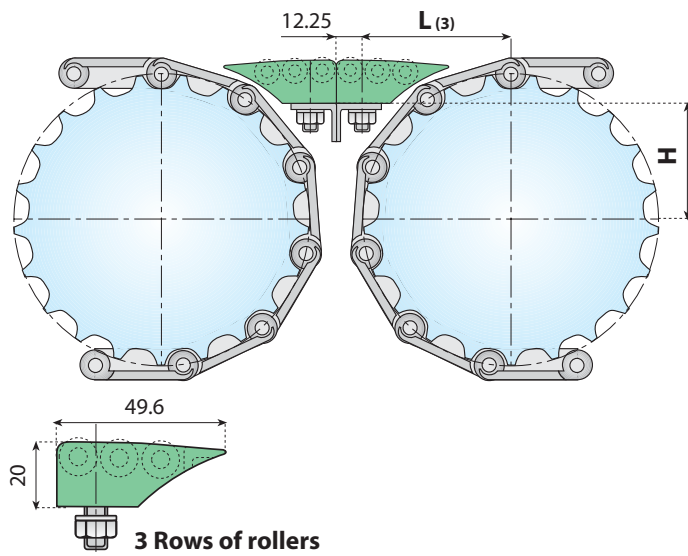
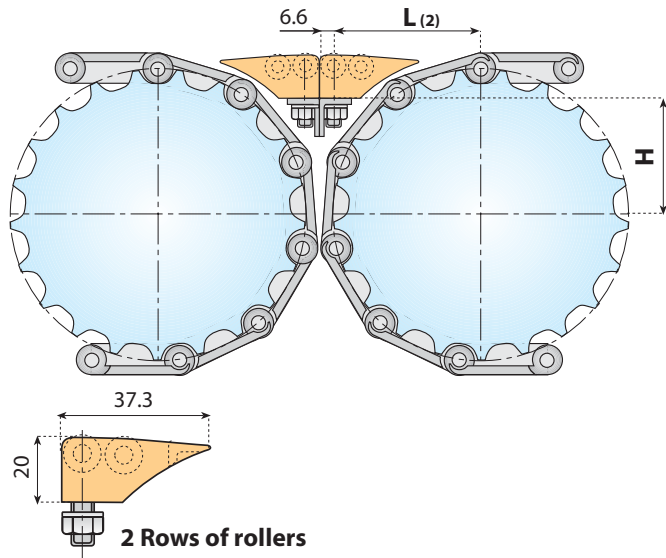


Head to tail transfer two with modules:  
- One module of three rows of rollers  
- One module of five rows of rollers  
Assembly with stainless steel or plastic resin flat top chains.  
Top plate thickness from 3 mm to 4.8 mm

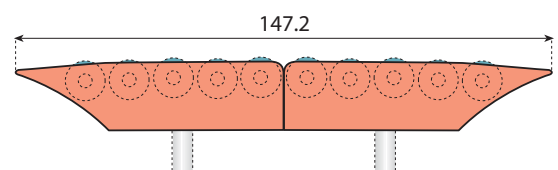
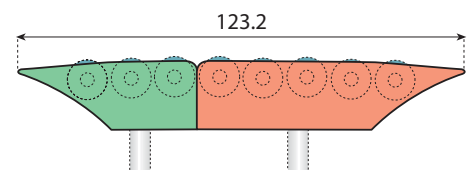
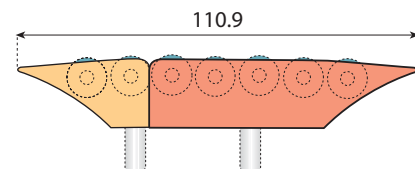
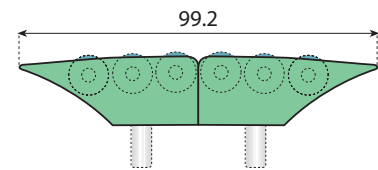
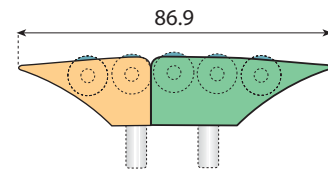
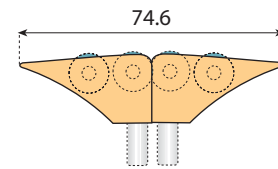


Head to tail transfer with two modules of five rows of rollers.  
Assembly with stainless steel or plastic resin flat top chains.  
Top plate thickness from 3 mm to 4.8 mm

# Modular transfer rollers plates H and L dimensions



## Combinations



Head to tail transfer with two modules

# Modular transfer rollers plates

## H and L dimensions

CHAIN TYPES	Sprockets Z=15				Sprockets Z=17				Sprockets Z=19				Sprockets Z=21				Sprockets Z=23				Sprockets Z=25				Sprockets Z=27				Sprockets Z=29											
	H	L(2)	L(3)	L(5)	H	L(2)	L(3)	L(5)	H	L(2)	L(3)	L(5)	H	L(2)	L(3)	L(5)	H	L(2)	L(3)	L(5)	H	L(2)	L(3)	L(5)	H	L(2)	L(3)	L(5)	H	L(2)	L(3)	L(5)	H	L(2)	L(3)	L(5)				
812-815-800-802-805-8157	34.4	56.9	61.6	74.6	40.3	58.3	62.8	75.8	46.3	61	64	77	52.2	63.8	65.1	78.1	58.2	66.4	66.2	79.2	64.2	68.9	67.2	80.2	70.2	71.3	68.2	81.2	76.2	73.6	69.2	82.2								
881-8810-881TAB-8810TAB-881M 881MO-8857M-8857TAB	34.4	56.9	61.6	74.6	40.3	58.3	62.8	75.8	46.3	61	64	77	52.2	63.8	65.1	78.1	58.2	66.4	66.2	79.2	64.2	68.9	67.2	80.2	70.2	71.3	68.2	81.2	76.2	73.6	69.2	82.2								
512-515	48.7	62.1	64.4	77.4	56.7	65.7	65.8	78.8	63.8	69.1	67.3	80.3	72.8	72.3	68.6	81.6																								
1874	40.8	65.1	70.3	83.3	46.8	65.4	71.8	84.8	52.9	68.3	73.3	86.3	59.8	71	74.6	87.6	65	73.7	76	89	71	76.2	77.3	90.3																
820-SK38	35	57.7	62.4	75.4	40.9	59.1	63.7	76.7	46.9	61.7	64.9	77.9	52.8	64.4	66	79	58.8	67.1	67.1	80.1	64.8	69.6	68.2	81.2	75.4	67.4	69.2	82.2	76.8	74.3	70.2	83.2								
831	35.8	57.7	62.4	75.4	41.7	59.1	63.7	76.7	47.7	61.7	64.9	77.9	53.6	64.4	66	79	59.6	67.1	67.1	80.1	65.6	69.6	68.2	81.2	76.2	67.4	69.2	82.2	77.6	74.3	70.2	83.2								
821	35.8	58.1	62.8	75.8	41.7	59.5	64.1	77.1	47.7	62.2	65.3	78.3	53.6	64.9	66.4	79.4	59.6	67.5	67.6	80.6	65.6	70	68.6	81.6	76.2	72.4	69.7	82.7	77.6	74.8	70.7	83.7								
843	20.6	57.4	62.9	75.9	24.7	58.7	64.1	77.1	28.7	59.9	65.2	78.2	32.7	61.1	66.3	79.3	36.8	62.2	67.3	80.3	40.5	63.3	68.3	81.3																
863	40.8	65.3	70.5	83.5	46.8	65.5	72	85	52.9	68.4	73.5	86.5	58.9	71.2	74.9	87.9	65	73.8	76.2	89.2	71	76.4	77.5	90.5																
1843	21.4	55.6	60.9	73.9	25.5	56.8	61.9	74.9	29.5	57.9	63	76	33.5	59	63.9	76.9	37.5	60	64.9	77.9	41.6	61	65.8	78.8																
1873	41.1	60.8	65.7	78.7	47.1	62.7	67	80	53.5	65.5	68.2	81.2	59.2	68.2	69.4	82.4	65.3	70.8	70.6	83.6	71.3	73.2	71.7	84.7	77.3	75.6	72.7	85.7												
815VG-805VG-8157VG (with rubber)	37.4	57.3	62.1	75.1	43.3	58.7	63.3	76.3	49.3	61.4	64.5	77.5	55.2	64.2	65.6	78.6	61.2	66.8	66.7	79.7	67.2	69.3	67.7	80.7	73.2	71.7	68.7	81.7	79.2	74	69.7	82.7								
831VG-821VG	38.8	57.4	62.1	75.1	44.7	58.8	63.4	76.4	50.7	61.5	64.6	77.6	56.6	64.2	65.7	78.7	62.6	66.8	66.9	79.9	68.6	69.3	67.9	80.9	79.2	71.7	69	82	80.6	74.1	70	83								
1873VG	44.9	59.1	63.5	76.5	50.9	62.7	64.7	77.7	57	65.4	65.8	78.8	63	67.9	66.3	79.3	69.1	70.4	67.8	80.8	75.1	72.8	68.8	81.8	81.1	75.1	69.8	82.8												
LBP 831	50.3	62.7	64.3	77.3	56.2	65.3	65.4	78.4	62.2	67.9	66.4	79.4	68.1	70.3	67.5	80.5	74.1	72.6	68.4	81.4	80.1	74.9	69.4	82.4																
LBP 821	50.3	63.1	64.7	77.7	56.2	65.7	65.8	78.8	62.2	68.3	66.8	79.8	68.1	70.7	67.9	80.9	74.1	73	68.8	81.8	80.1	75.3	69.8	82.8																

CHAIN TYPES	Sprockets Z=9				Sprockets Z=10				Sprockets Z=11				Sprockets Z=12				Sprockets Z=13				Sprockets Z=14				Sprockets Z=15											
	H	L(2)	L(3)	L(5)	H	L(2)	L(3)	L(5)	H	L(2)	L(3)	L(5)	H	L(2)	L(3)	L(5)	H	L(2)	L(3)	L(5)	H	L(2)	L(3)	L(5)	H	L(2)	L(3)	L(5)	H	L(2)	L(3)	L(5)				
8257VG	46.2	61	63.9	76.9	52.1	63.7	65.1	78.1	58.1	66.3	66.1	79.1	64.1	68.8	67.2	80.2																				
LBP 8257	60.7	67.4	66.6	79.6	66.6	69.9	67.6	80.6	72.6	72.2	68.6	81.6	78.6	74.5	69.5	82.5																				
878TAB-879-879TAB-879M 880-880TAB-880M	44.3	59.2	63.6	76.6	50.2	62.9	64.7	77.7	56.2	65.5	65.8	78.8	62.2	68.1	66.9	79.9					68.2	70.5	67.9	80.9	74.2	72.9	68.9	81.9	80.2	75.1	69.8	82.8				
882-882TAB-882M	46.2	61	63.9	76.9	52.1	63.7	65.1	78.1	58.1	66.3	66.1	79.1	64.1	68.8	67.2	80.2																				
878TAB VG- 879TAB VG- 879M VG	47.4	61	64	77	53.2	63.8	65.1	78.1	59.2	66.4	66.2	79.2	65.2	68.9	67.2	80.2	71.2	71.3	68.2	81.2	77.2	72.8	69.2	82.2												
882M VG- 882TAB VG	49.2	62.2	64.3	77.3	55.1	64.8	65.4	78.4	61.1	67.4	66.5	79.5	67.1	69.9	67.5	80.5																				
LBP 878TAB- LBP 879 M	59.6	61.7	66.1	79.1	65.5	65.4	67.2	80.2	71.5	68	68.3	81.3	77.5	70.6	69.4	82.4	83.5	73	70.4	83.4	89.5	75.4	71.4	84.4	95.5	77.6	72.3	85.3								
LBP 882TAB- LBP 882M	60.7	67.4	66.6	79.6	66.6	69.9	67.6	80.6	72.6	72.2	68.6	81.6	78.6	74.5	69.5	82.5																				

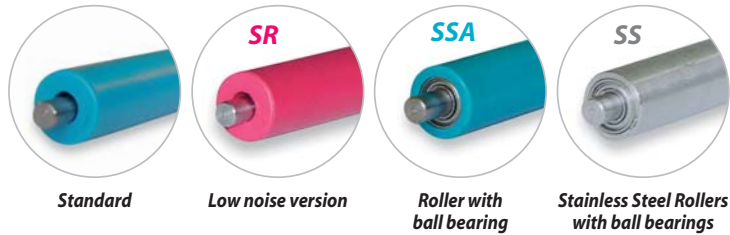
BELT TYPES	Sprockets Z=12				Sprockets Z=16				Sprockets Z=18				Sprockets Z=20				Sprockets Z=21				Sprockets Z=24				Sprockets Z=28											
	H	L(2)	L(3)	L(5)	H	L(2)	L(3)	L(5)	H	L(2)	L(3)	L(5)	H	L(2)	L(3)	L(5)	H	L(2)	L(3)	L(5)	H	L(2)	L(3)	L(5)	H	L(2)	L(3)	L(5)	H	L(2)	L(3)	L(5)				
series 2120 FT - 2121 FT					16.65	50.9	57.3	69.3					24.8	53.8	60.2	72.2					32.9	55.9	62.3	74.3	41.1	58.3	64.7	76.7								
series 2120 VG					18.65	51.1	57.5	69.5					26.8	54	60.4	72.4					34.9	56.1	62.5	74.5	43.1	58.5	64.9	76.9								
series 2120 LBP					29.65	51.4	57.8	69.8					37.8	54.3	60.7	72.7					45.9	56.4	62.8	74.8	54.1	58.8	65.2	77.2								
series 2250 FT - 2250 FG	32.5	57.2	63.6	75.6	48.55	60.3	66.7	78.7	56.55	63.6	70	82	64.7	64	70.4	82.4																				
series 2251 FT - 2252 FT					50.5	63.3	69.7	81.7	57.95	63.6	70	82	65.75	66.3	72.7	84.7	69.8	66.2	72.6	84.6																
series 2251 VG					53	63.7	70.1	82.1	60.45	64	70.4	82.4	68.25	66.7	73.1	85.1	72.3	66.6	73	85																
series 2251 LBP					65	64.05	70.45	82.45	72.35	64.35	70.75	82.75	80.2	67.05	73.45	85.45	84.3	66.95	73.35	85.35																

CHAIN-BELT TYPES	Sprockets Z=16				Sprockets Z=18				Sprockets Z=19			
	H	L(2)	L(3)	L(5)	H	L(2)	L(3)	L(5)	H	L(2)	L(3)	L(5)
series 2250M-FT - 2250M-FG	54.8	66.4	72.8	84.8	62.8	70	76.4	88.4	67.8	73.6	80	92
series 2251M-FT - 2251M-FG	58.8	68.1	74.5	86.5	66.8	71.4	77.8	89.8	71.8	74.2	80.6	92.6

# DynaPlate Roller Transfer



- ❑ Mix and match for best transfer lengths and widths
- ❑ Long life, durable, trouble-free up time
- ❑ Flexible T-bolt mounting - won't strip or turn during installation
- ❑ Acetal body low noise rollers, stainless steel pins.

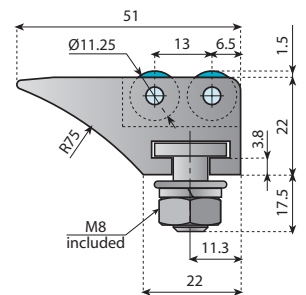
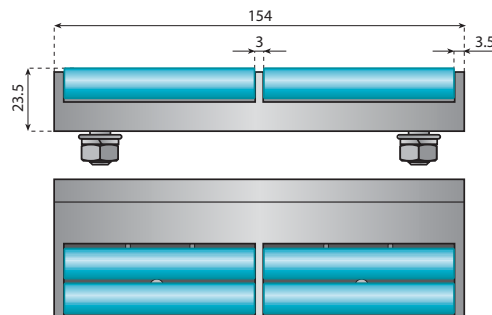
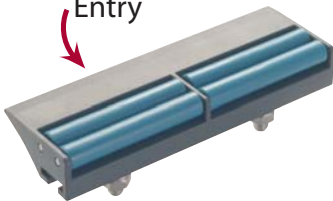


**Code**

16S00020
16S00020-SR
16S00020-SSA
16S00020-SS

## 2 Roller Rows

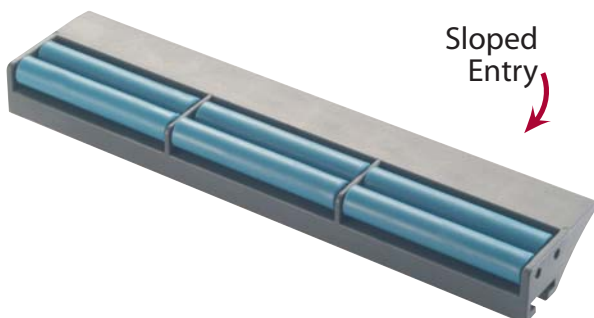
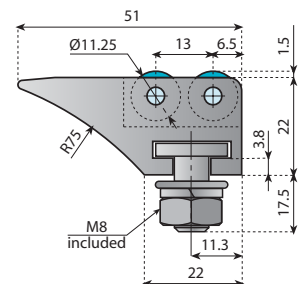
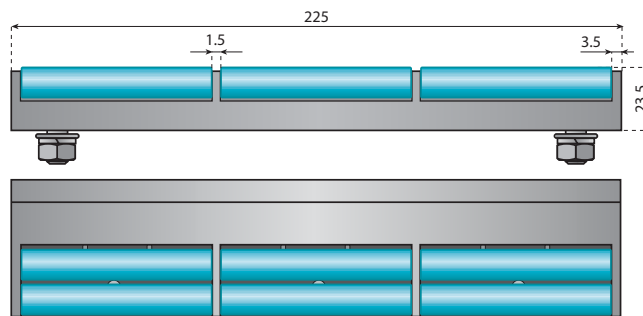
Sloped Entry



**Code**

16S00023
16S00023-SR
16S00023-SSA
16S00023-SS

## 2 Roller Rows



Sloped Entry



Head to tail transfer using two roller transfer assemblies positioned back-to-back



90° transfer using single roller transfer assembly.

# DynaPlate Roller Transfer



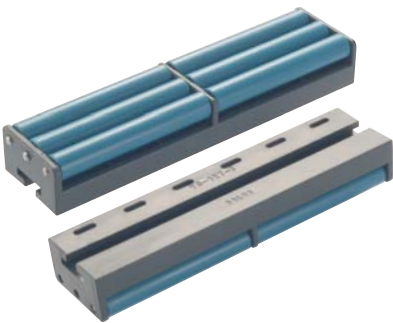
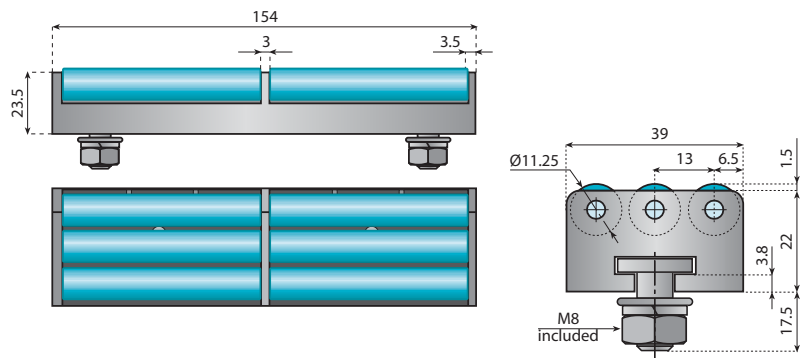
- ❑ Mix and match for best transfer lengths and widths
- ❑ Long life, durable, trouble-free up time
- ❑ Flexible T-bolt mounting - won't strip or turn during installation
- ❑ Acetal body low noise rollers, stainless steel pins.



**Code**

- 16S00021
- 16S00021-SR
- 16S00021-SSA
- 16S00021-SS

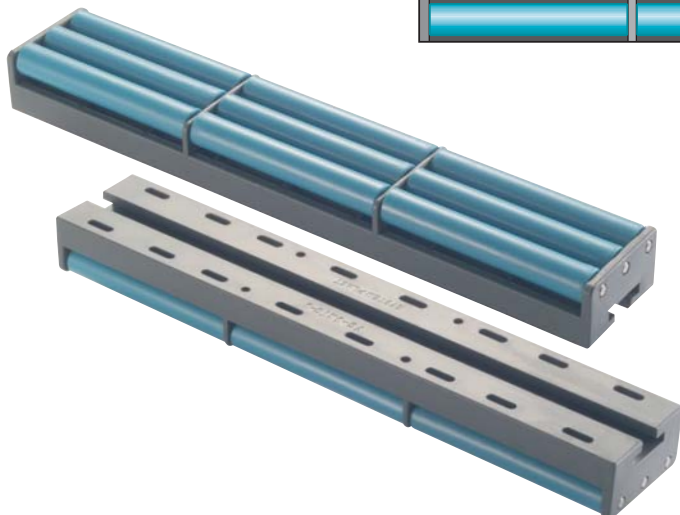
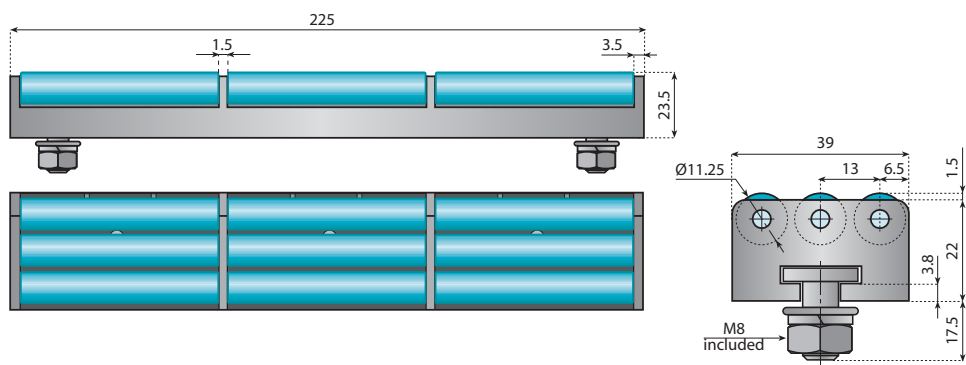
**3 Roller Rows**



**Code**

- 16S00024
- 16S00024-SR
- 16S00024-SSA
- 16S00024-SS

**3 Roller Rows**



# DynaPlate Roller Transfer



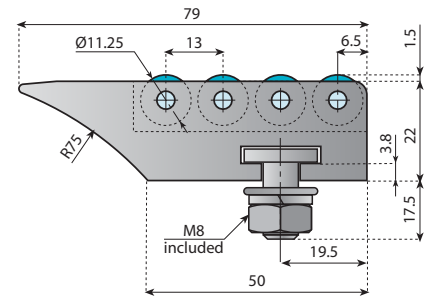
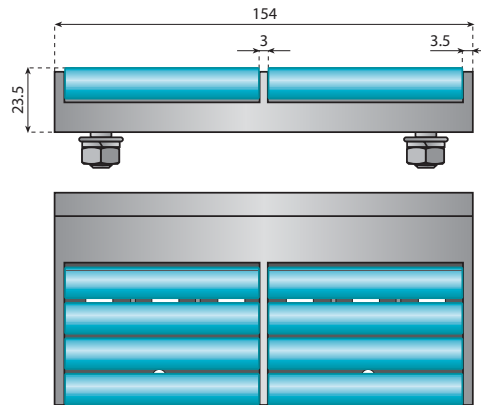
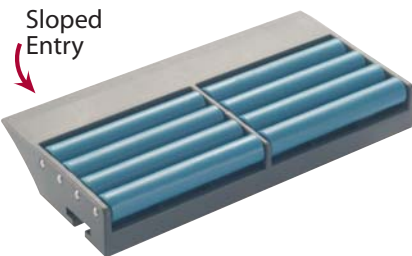
- ❑ Mix and match for best transfer lengths and widths
- ❑ Long life, durable, trouble-free up time
- ❑ Flexible T-bolt mounting - won't strip or turn during installation
- ❑ Acetal body low noise rollers, stainless steel pins.



## Code

- 16S00022
- 16S00022-SR
- 16S00022-SSA
- 16S00022-SS

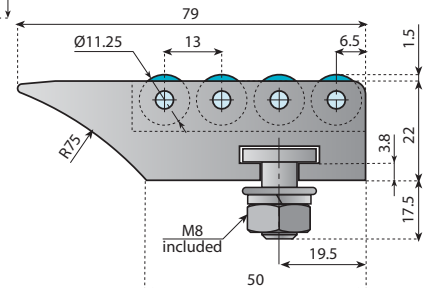
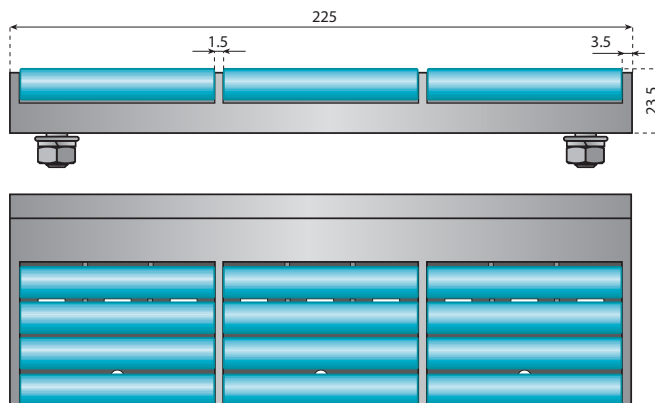
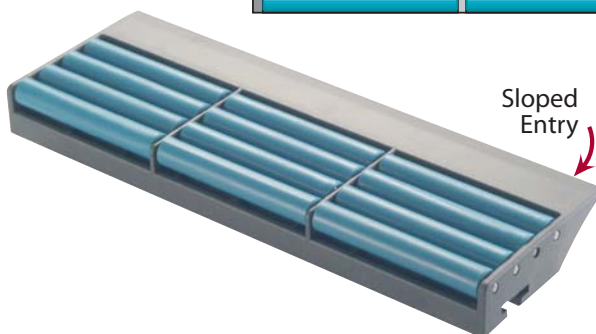
### 4 Roller Rows



## Code

- 16S00025
- 16S00025-SR
- 16S00025-SSA
- 16S00025-SS

### 4 Roller Rows



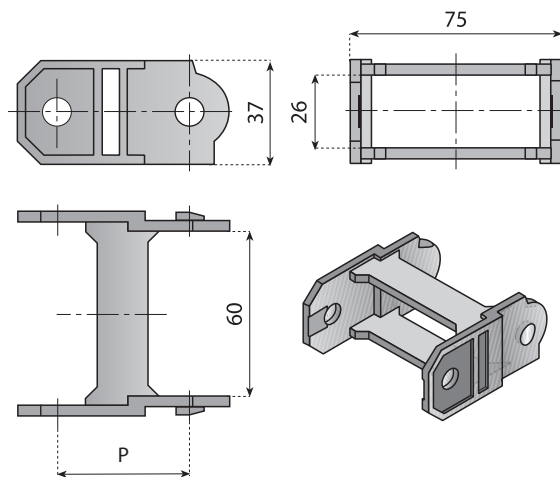
# Cable carrier chain



Polyamide



Zinc plated steel



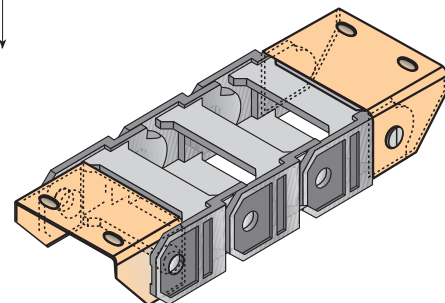
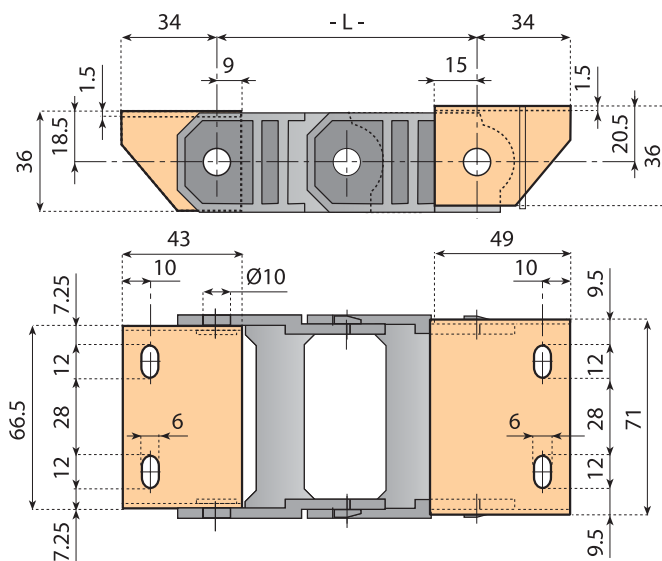
## CABLE CARRIER CHAIN

**Application:** guide and protection of electric cables, even at high-speed.

**Features:** the links of the chain can be easily assembled and disassembled.

**Note:** 22 links: 1 mt.

Code	Pitch P.	R.	Kg/m	5 m	Material
14150		50			
14151		70			
14152	47	90	0.7	5 m	PA
14153		110			



## CHAIN FASTENER

**Application:** fastening of cable carrier chains.

Code	5 kit	Material
14154	5 kit	ZN

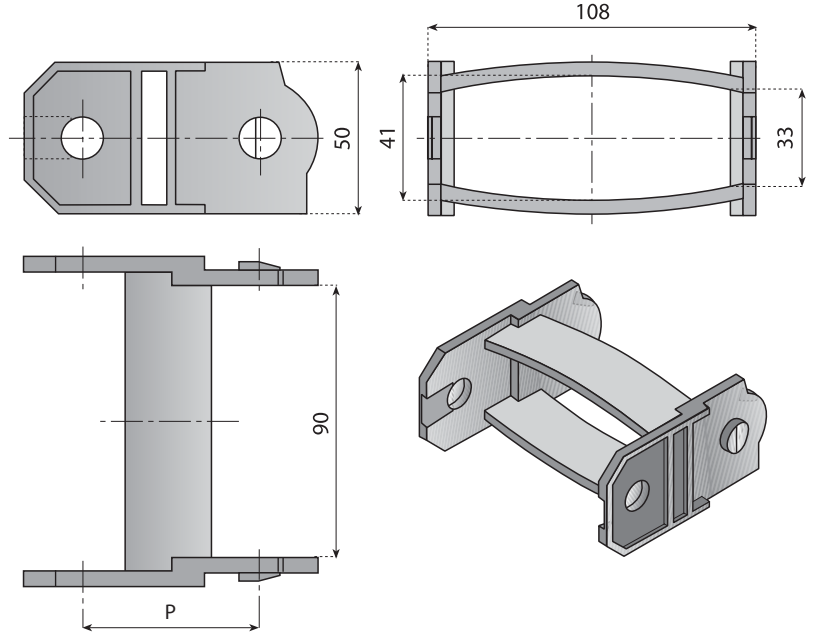
# Cable carrier chain



Polyamide



Zinc plated steel



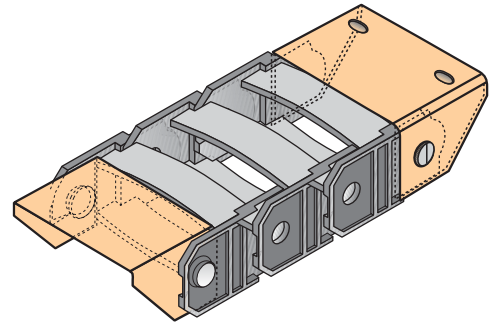
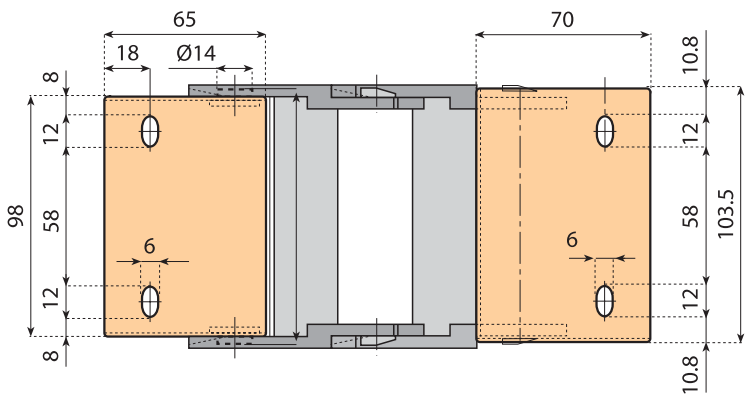
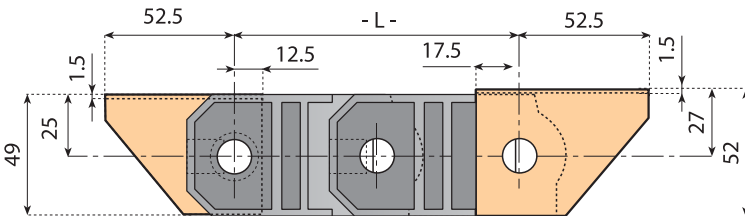
## CABLE CARRIER CHAIN

**Application:** guide and protection of electric cables, even at high-speed.

**Features:** the links of the chain can be easily assembled and disassembled.

**Note:** 16 links: 1 mt.

Code	Pitch P.	R.	Kg/m	5 m	Material
14155		75			
14156	58	110	1.2	5 m	PA
14157		150			
14158		200			



## CHAIN FASTENER

**Application:** fastening of cable carrier chains

Code	5 kit	Material
14159	5 kit	ZN

## CALCULATION OF CHAIN LENGTH

$$L = \frac{LA}{2} + \pi R + 2 \cdot P$$

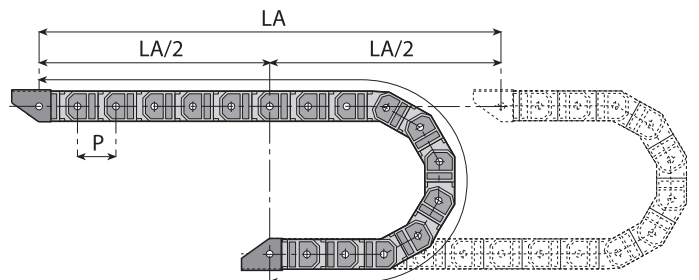
L = chain length

LA = chain travel

R = bending radius

P = chain pitch

It is advisable to fasten the chain in the middle of its travel





**Frame support components**

# Side mounting top brackets

 Preferred type, readily available (codes marked in red)

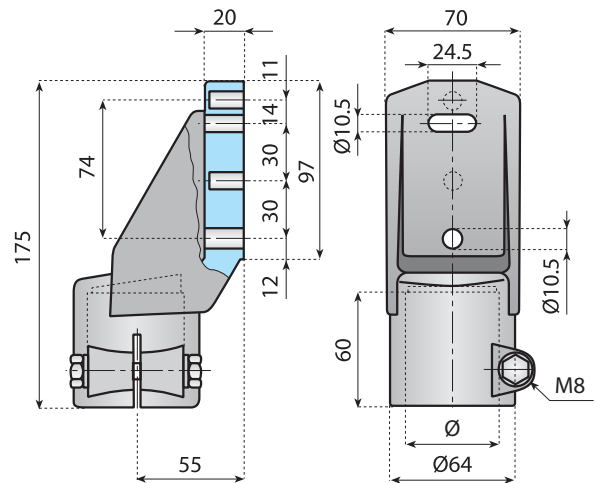




**SS 304**  
AISI 304  
Stainless steel



**PA FG**  
Reinforced  
polyamide



## SIDE MOUNTING TOP BRACKET

**Material:** reinforced polyamide. Screw, nut and washers in stainless steel AISI 304

**Note:** the bracket can be inclined by 5° in both directions when using the lower hole and the upper slot hole.

There are two optional holes that can easily be opened by removing the thin membrane. In this way the centre distance of the holes can be:


- Enlarged to 70 mm or
- Reduced to 30 mm

Then it is also possible to use an incline of 10° in both directions


Code	For tube Ø
<b>14748</b>	48.3
<b>14744</b>	50.9

 Preferred type, readily available (codes marked in red)

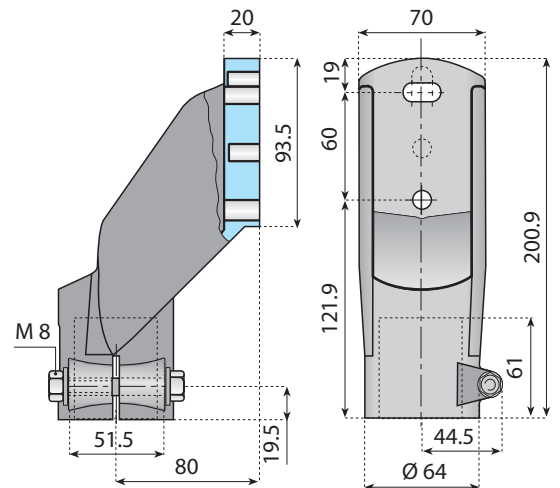




**RANGE  
EXTENSION**



**IMPROVED  
DESIGN**



## SIDE MOUNTING TOP BRACKET

**Material:** reinforced polyamide. Screw, nut and washers in stainless steel AISI 304


**Note:** the bracket can be inclined by 5° in both directions when using the lower hole and the upper slot hole.

There are two optional holes that can easily be opened by removing the thin membrane.

In this way the centre distance of the holes can be:

- Enlarged to 70 mm or
- Reduced to 30 mm

Then it is also possible to use an incline of 10° in both directions

Code	For tube □	For tube Ø	
<b>14748N</b>	-	48.3	
<b>14744N</b>	-	50.9	
<b>14856</b>	38x38	-	n°25
<b>14857</b>	40x40	-	



## HEAVY DUTY SIDE MOUNTING TOP BRACKET

**Material:** reinforced polyamide. Screw, nut and washers in stainless steel AISI 304

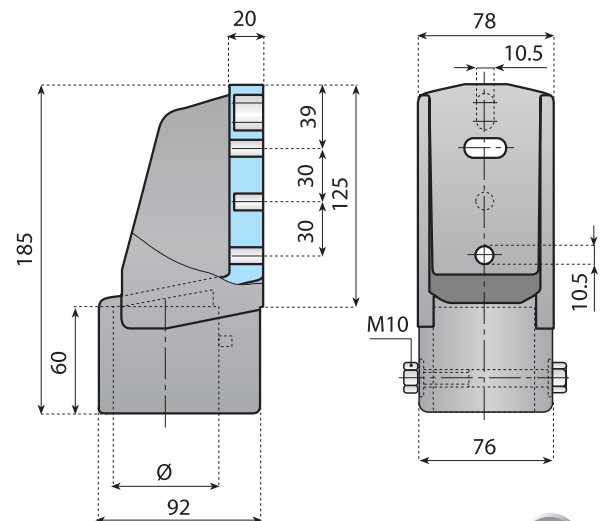
**Note:** the bracket can be inclined by 6° in both directions when using the lower hole and the upper slot hole.

There are two optional holes that can easily be opened by removing the thin membrane.

In this way the centre distance of the holes can be:

- Enlarged to 85,5 mm or
- Reduced to 30 mm

Then it is also possible to use an incline of 12° in both directions

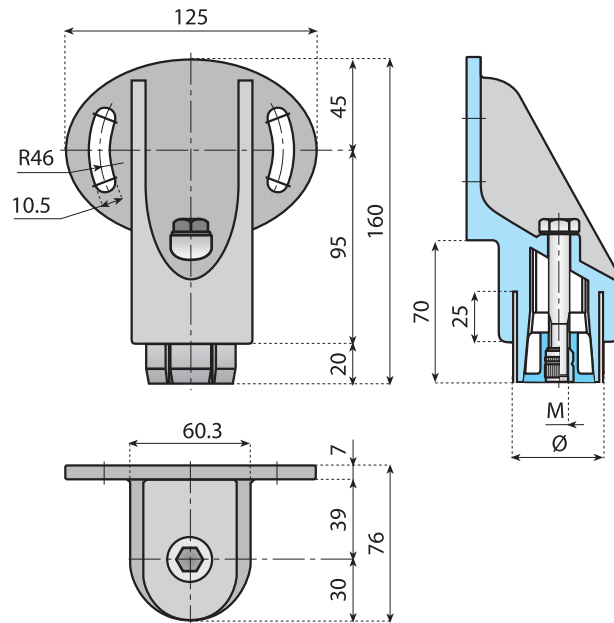


Code	For tube Ø	
<b>14745</b>	60.3	n°25



# Side mounting top brackets

 Preferred type, readily available (codes marked in red)



AISI 304  
Stainless steel



Nickel plated brass



Reinforced  
polyamide




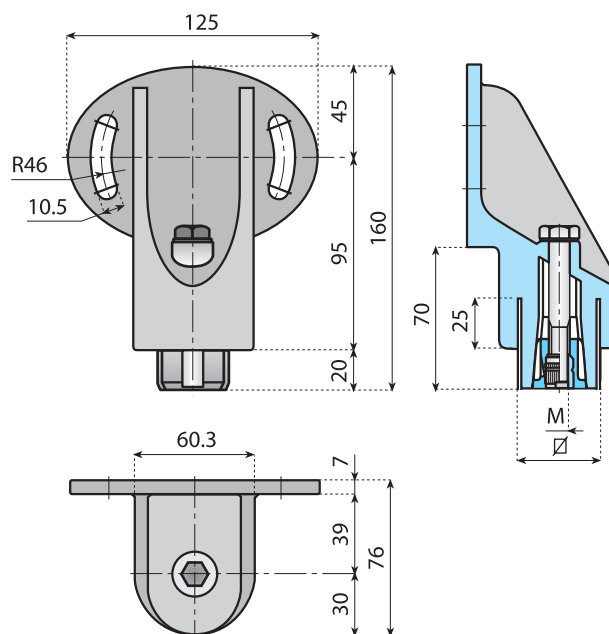
**SIDE MOUNTING TOP BRACKET**  
with expansion plug for round  
tubes Ø 48.3x1.5 mm

**Components:** external part in reinforced polyamide.  
Conical insert in reinforced polyamide.  
Threaded bushing in nickel plated brass.  
Bolt and washer in stainless steel.

**Note:** max recommended tightening torque 2.5 Kgm.

**Application:** the bracket can be inclined by 30°.

Code	M	For tube Ø	
<b>14071</b>	8	48.3	n°25
<b>14070</b>	10	48.3	
<b>14068</b>	8	50.9	
<b>14069</b>	10	50.9	




**SIDE MOUNTING TOP BRACKET**  
with expansion plug for square  
tubes 40x40x2 mm

**Components:** external part in reinforced polyamide.  
Conical insert in reinforced polyamide.  
Threaded bushing in nickel plated brass.  
Bolt and washer in stainless steel.

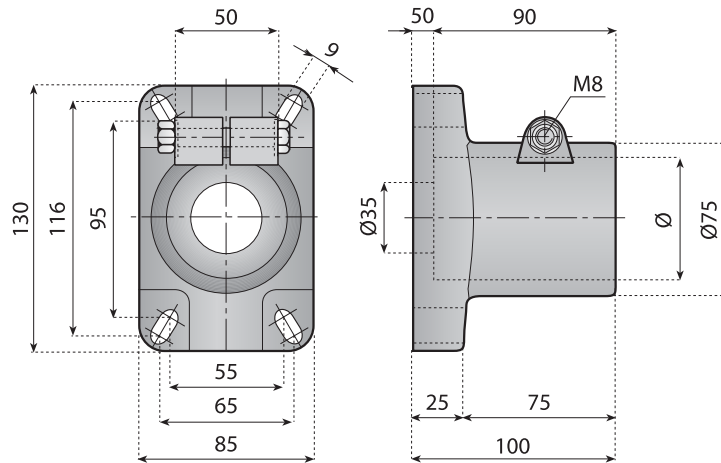
**Note:** max recommended tightening torque 2.5 Kgm.

**Application:** the bracket can be inclined by 30°.

Code	M	For tube $\square$	
<b>14073</b>	8	40x40	n°25
<b>14072</b>	10	40x40	

# Support heads

Preferred type, readily available (codes marked in red)



AISI 304  
Stainless steel

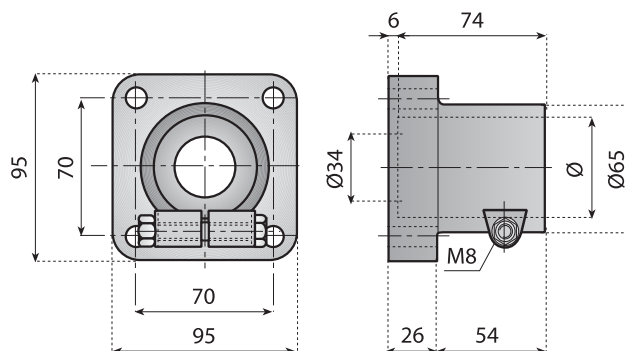


Reinforced  
polyamide

## SUPPORT HEAD

**Material:** reinforced polyamide;  
screw, nut and washers in stainless steel AISI 304.  
**Note:** max. recommended tightening torque 2 Kgm.

Code	For tube Ø	
<b>14742</b>	42.4	n°25
<b>14741</b>	48.3	
<b>14740</b>	50.9	
<b>14739</b>	60.3	



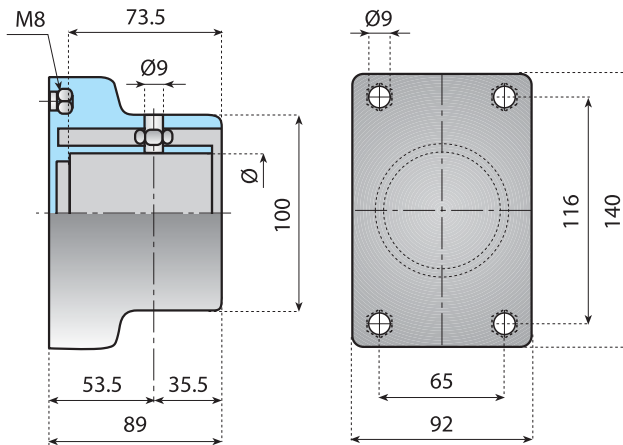
## SUPPORT HEAD

**Material:** reinforced polyamide;  
screw, nut and washer in S/S AISI 304.  
**Note:** max recommended tightening torque 2 Kgm.

Code	Ref.	For tube Ø	For tube $\nabla$	
<b>14050</b>		48.3	-	n°25
<b>14051</b>		50.9	-	
<b>14S00092</b>	VG-307SQ-T40-M	-	40x40	

# Support heads

 Preferred type, readily available (codes marked in red)



AISI 304  
Stainless steel



Nickel plated brass



Reinforced  
polyamide

## EXTRA SUPPORT HEAD

**Material:** polyamide, stainless steel bolts.

**Note:** max. recommended tightening torque 1.5 Kgm.

Code

For tube Ø

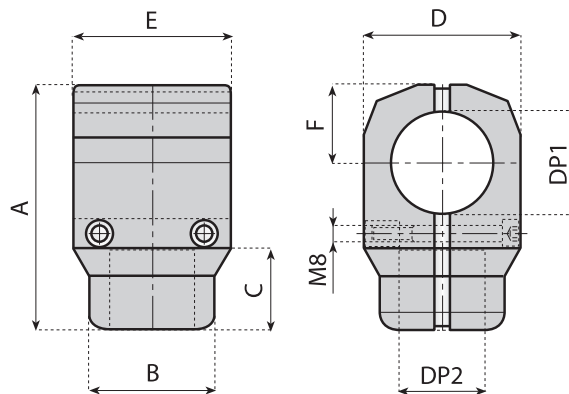


14052

60.3

n°25

Black

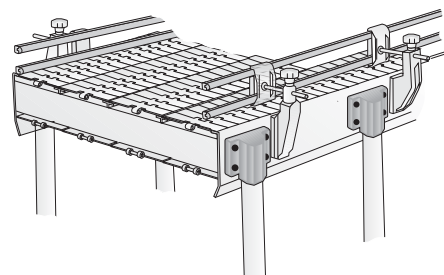
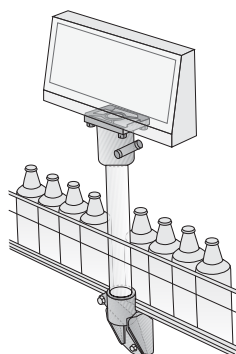
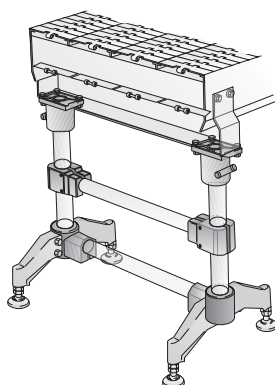


## CONNECTING JOINT

**Material:** reinforced polyamide, screws in stainless steel AISI 304, bushings in nickel plated brass.

**Note:** max. recommended tightening torque 1.5 Kgm.

Code	For tubes Ø		A	B	C	D	E	F	n°25
	DP1	DP2							
14747	48.3	32	116	57	40	70	74	36	
14733	48.3	42.4	122	62	40	78	78	39	
14732	50.9	42.4	122	62	40	78	78	39	
14746	60.3	42.4	130	65	41	82	82	42.5	



# Connecting joints

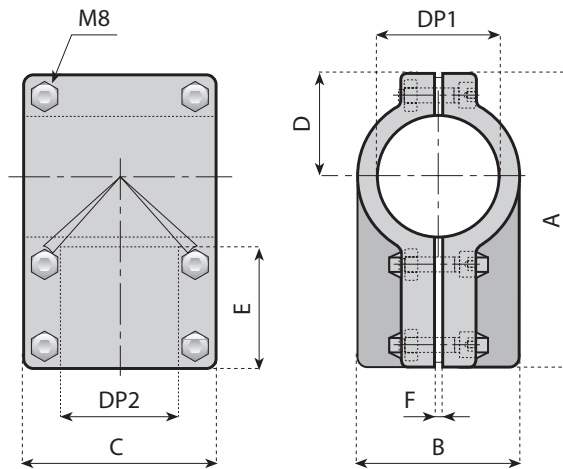
Preferred type, readily available (codes marked in red)



AISI 304  
Stainless steel



Reinforced  
polyamide

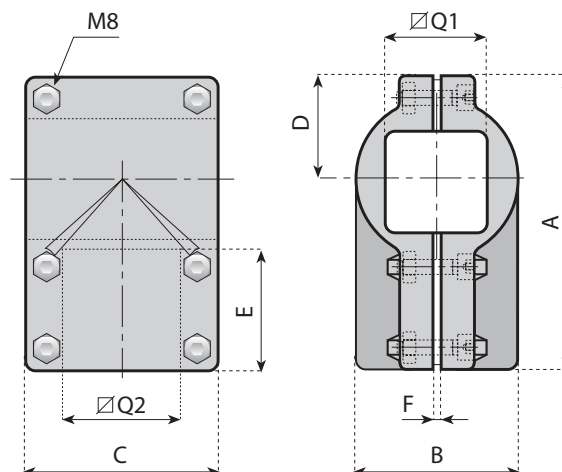


## CONNECTING JOINT

**Material:** reinforced polyamide, screws and nuts in stainless steel AISI 304.

**Note:** max. recommended tightening torque 1.5 Kgm.

Code	For round tubes Ø								
	DP1	DP2	A	B	C	D	E	F	
<b>14729</b>	42.4	42.4	134	68	86	45	60	3	n°25
<b>14734</b>	48.3	42.4	134	68	86	45	60	3	n°25
<b>14726</b>		48.3							
<b>14725</b>		42.4							
<b>14724</b>	50.9	48.3	146	80	98	51	60	3	n°25
<b>14743</b>		50.9							
<b>14737</b>		42.4							
<b>14723</b>	60.3	48.3	146	80	98	51	60	3	n°25
<b>14722</b>		50.9							
<b>14738</b>		60.3							



## EXTRA RIGID CONNECTING JOINT

**Material:** reinforced polyamide, screws and nuts in stainless steel AISI 304.

**Note:** max. recommended tightening torque 1.5 Kgm.

Code	For square tubes								
	ØQ1	ØQ2	A	B	C	D	E	F	
<b>14719</b>	40	40	134	68	86	45			n°25
<b>14720</b>	45	45	146	80	98	51	60	3	n°25
<b>14721</b>	50	50	146	80	98	51			

# Connecting joints

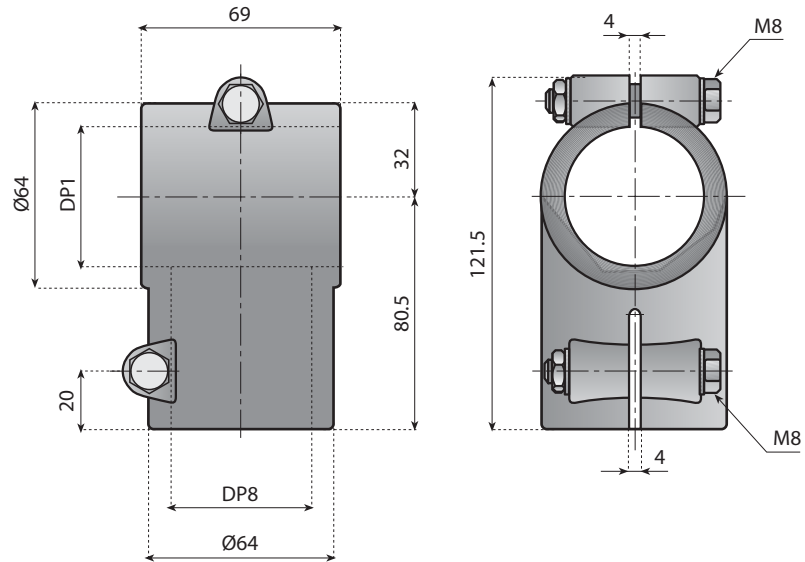
 Preferred type, readily available (codes marked in red)



AISI 304  
Stainless steel




Reinforced  
polyamide

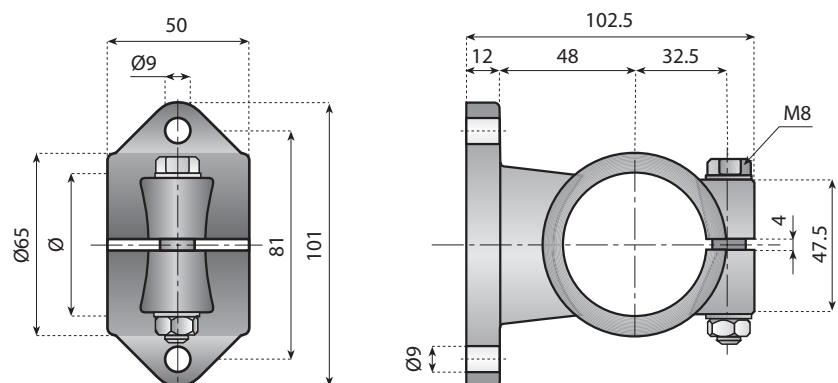


## CONNECTING JOINT

**Material:** reinforced polyamide, screws and nuts in stainless steel AISI 304.

**Note:** max. recommended tightening torque 1.5 Kgm.


Code	For tube Ø	
<b>14040</b>	48.3	n°25
<b>14041</b>	50.9	



## CONNECTING JOINT

**Material:** reinforced polyamide, screws and nuts in stainless steel AISI 304.

**Note:** max. recommended tightening torque 1.5 Kgm.

Code	For tube Ø	
<b>14042</b>	48.3	n°25
<b>14043</b>	50.9	

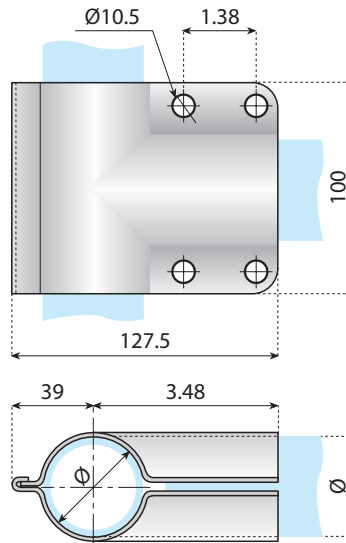
# Connecting joints

Preferred type, readily available (codes marked in red)



## CONNECTING JOINT

**Thickness:**  $S = 2$  mm.  
**Surface:** tumbling finish.  
**Use:** with tubes  $\varnothing 48.3$  mm.  
**Note:** the connecting joint is supplied without screws.



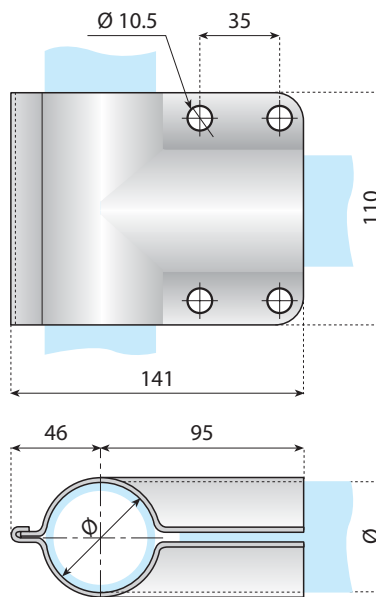
Code	For tube $\varnothing$		Material
<b>13827</b>	48.3	n°25	SS AISI 304

**SS 304**  
 AISI 304  
 Stainless steel



## CONNECTING JOINT

**Thickness:**  $S = 2$  mm.  
**Surface:** tumbling finish.  
**Use:** with tubes  $\varnothing 60.3$  mm.  
**Note:** the connecting joints supplied without screws.

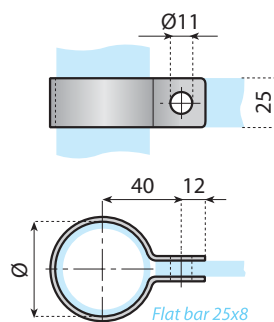


Code	For tube $\varnothing$		Material
<b>13828</b>	60.3	n°25	SS AISI 304



## CONNECTING JOINT

**Thickness:**  $S = 2.5$  mm.  
**Surface:** tumbling finish.  
**Use:** with tubes  $\varnothing 48.3$  mm and flat bar 25x8 mm.  
**Note:** the connecting joints is supplied without screws.



Code	Flat bar	For tube $\varnothing$		Material
<b>13981</b>	25 x 8	48.3	n°50	SS AISI 304

# Connecting joints



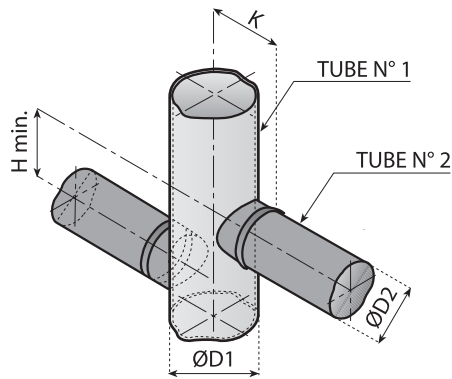
AISI 304  
Stainless steel



Nickel plated brass



Reinforced polyamide



## CONNECTING JOINT

### Components and material:

- Conical bushing in nickel plated brass.
- Expansion plug in reinforced polyamide.
- Adaptor plug in reinforced polyamide.
- Screw M8x50 in stainless steel.
- Closing cap in polyamide.

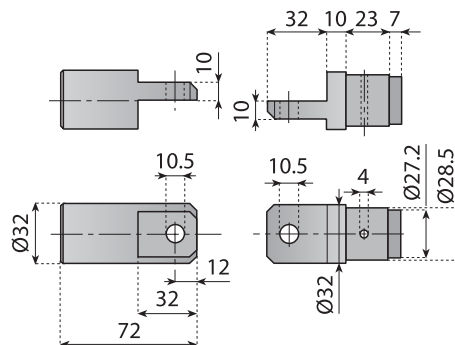
**Use:** these joints connect different tubes at different angles.

Special design provides a simple method of joining tubes for maximum cleanliness.

**Note:** tube deformation occurs with a tightening torque of 2.5 Kgm thus preventing accidental unscrewing of the plug due to structure vibrations.

Code	Tube N°1			Tube N°2			K	H
	Ext. Ø D1	Wall S1	mm	Ext. Ø D2	Wall S2	mm		
14815	38	-	•	38	-	1.5	32	43
14816	42.4	1/4	•	38	-	1.5	34.2	43
14817	42.4	1/4	•	42.4	1/4	1.5	34.2	47
14818	48.3	1/2	•	38	-	1.5	37.2	43
14819	48.3	1/2	•	42.4	1/4	1.5	37.2	47
14821	60.3	2	•	42.4	1/4	1.5	43.2	47

• application with any thickness.



## KNUCKLE JOINT FOR TUBE Ø 32 mm

**Material:** reinforced polyamide;  
screws and nut is stainless steel AISI 304

**Application:** with connecting joint code 14747 and tube Ø 32 mm, 1,5 wall.

**Supply:** assembled.

Code

14736



n°50

# Expansion plugs for round tubes

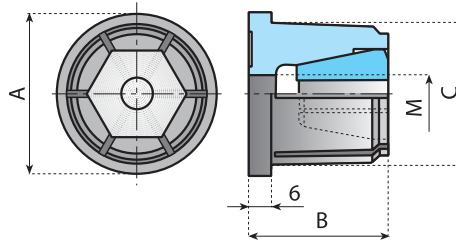
Preferred type, readily available (codes marked in red)



Nickel plated brass



Reinforced polyamide



## EXPANSION PLUG

### Components and material:

External part in reinforced polyamide.

Conical insert available in two materials:

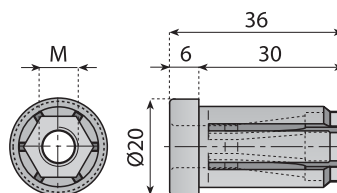
- version in nickel plated brass;
- version in polyamide with nut;

**Notes:** bolt and washer are not included.

### Technical information:

- Version with nickel plated brass insert: max. load for removal Kgf 420 (static conditions).
- Version with polyamide insert: max. load for removal Kgf 350 (static conditions).

Code		Dimensions mm				Tube dimensions			Wall	n°50
Version with brass bush	Version with polyamide bush	M	A	B	C	Ext. Ø	Int. Ø			
<b>14001</b>	<b>14003</b>	10	38	41	34.8	38	35	1.5	n°50	
<b>14002</b>	<b>14004</b>	8	38	41	34.8	38	35			
<b>14749</b>	<b>14005</b>	10	44.5	41	39.2	42.4	39.4			
<b>14753</b>	<b>14006</b>	8	44.5	41	39.2	42.4	39.4			
-	<b>14018</b>	10	48.5	50	44.7	48.3	45.3			
-	<b>14017</b>	8	48.5	50	44.7	48.3	45.3			



## EXPANSION PLUG for round tubes

### Components:

External part in reinforced polyamide.

Conical insert in nickel plated brass.

### Technical information:

Max. load for removal Kgf 300 (static conditions).

Code	Colour	M	For round tube	n°50
<b>14352</b>	Black	8	20 x 1.5	n°50
<b>14353</b>	Black	10	20 x 1.5	



# Expansions plug for square tubes

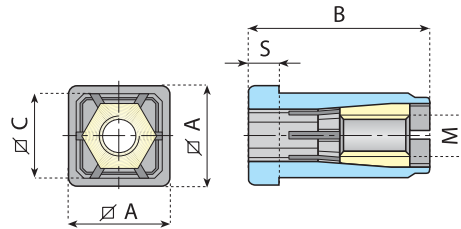
 Preferred type, readily available (codes marked in red)



Nickel plated brass



Reinforced polyamide



## EXPANSION PLUG for square tubes

 40x40

 20x20

### Components and material:

External part in reinforced polyamide.

Conical insert in nickel plated brass with polyamide.

### Technical information:


#### tube 40x40

max. load for removal Kg 400 (static conditions).

#### Tube 20x20

max. load for removal Kg 300 (static conditions).

**Supply:** assembled.

Code	S	M	Dimensions mm			Tube dimension			
			A	B	C	Ext.	Int.	Wall	
<b>14019</b>	6	8	20x20	36	17	20x20	17	1.5	n°50
<b>14020</b>	6	10	20x20	36	17	20x20	17	1.5	
<b>14021</b>	6	8	20x20	36	16	20x20	16	2	
<b>14022</b>	6	10	20x20	36	16	20x20	16	2	
<b>14015</b>	10	8	40x40	57	35.5	40x40	36	2	
<b>14016</b>	10	10	40x40	57	35.5	40x40	36	2	

# Threaded tube ends for round tubes

Preferred type, readily available (codes marked in red)



Nickel plated brass



Polyamide



## THREADED TUBE ENDS FOR ROUND TUBES

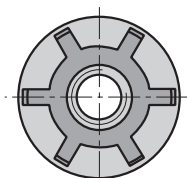
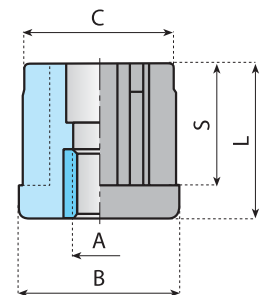
**Material:** polyamide, threaded bushing in nickel plated brass.

Round tubes  
Max static load

Ø mm	30	38	42	48	50	60
N	3000	5000	6000	6000	6500	8000

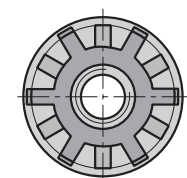
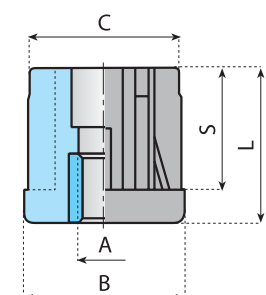
FOR FURTHER INFORMATION ABOUT THIS LINE PLEASE CONSULT THE PRESSO-LINE CATALOGUE.

Code	Type	A	B mm	C mm	L mm	S mm	Ext. Ø mm	Int. Ø mm	Thickness mm	
<b>14799</b>		M10								
<b>14800</b>	1	M12	30	28.4	35	29	30	28	1	n°50
<b>14801</b>		M14								
<b>14773</b>		M10								
<b>14752</b>	1	M12	38	35.5	46.5	38	38	35	1.5	n°50
<b>14774</b>		M14								
<b>14764</b>		M16								
<b>14775</b>		M10								
<b>14763</b>		M12								
<b>14776</b>	1	M14	42	39.9	45.5	38	42.4	39.4	1.5	n°50
<b>14750</b>		M16								
<b>14765</b>		M20								
<b>14766</b>		M12								
<b>14777</b>	1	M14	48	45.8	55	45	48.3	45.3	1.5	n°50
<b>14767</b>		M16								
<b>14751</b>		M20								
<b>14754</b>		M12								
<b>14778</b>	1	M14	50	48.4	49	38	50.9	47.9	1.5	n°50
<b>14755</b>		M16								
<b>14768</b>		M20								
<b>14835</b>	2	M14	54	50.5	55	45	54	50	2	n°50
<b>14836</b>		M16								
<b>14837</b>		M20								
<b>14791</b>	2	M16	60	58	50	38	60.3	57.3	1.5	n°50
<b>14792</b>		M20								
<b>14793</b>	2	M16	60	57	50	38	60.3	56.3	2	n°50
<b>14794</b>		M20								
<b>14802</b>		M16								
<b>14803</b>	2	M20	60	56	50	38	60.3	55.3	2.5	n°50
<b>14804</b>		M24								



TYPE 1

TYPE 2



STATED LOAD VALUES ARE MEANT FOR STATIC CONDITIONS.  
SUCH VALUES HAVE TO BE ADEQUATELY REDUCED  
IN PRESENCE OF HIGH FREQUENCY VIBRATIONS  
OR DYNAMIC LOADS.  
FOR FURTHER INFORMATION CONTACT  
OUR TECHNICAL OFFICE.

# Threaded tube ends for square tubes



Polyamide Nickel plated brass

Preferred type, readily available (codes marked in red)



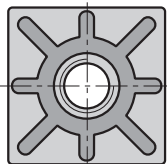
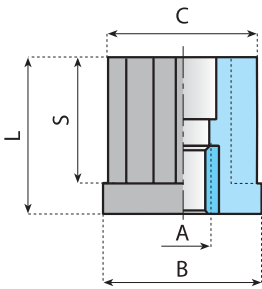
## THREADED TUBE ENDS FOR SQUARE TUBES

**Material:** polyamide, threaded bushing in nickel plated brass.

Square tubes  
Max static load

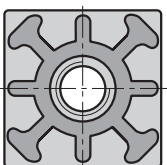
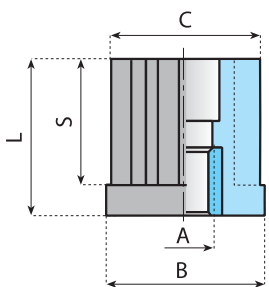
Ø mm	25	30	35	38	40	50	60
N	5000	5500	5500	6000	6000	10000	12000

FOR FURTHER INFORMATION  
ABOUT THIS LINE PLEASE  
CONSULT THE PRESSO-LINE  
CATALOGUE.



TYPE 1

TYPE 2



Code	Type	A	B mm	C mm	L mm	S mm	Ext. Ø mm	Int. Ø mm	Thickness mm	
14824		M8								
14822	2	M10	25	22.5	30	25	25	22	1.5	n°50
14823		M12								
14779		M10								
14780	2	M12	30	27.5	33	27	30	27	1.5	n°50
14781		M14								
14782		M16								
14810		M10								
14811	2	M12	30	26.5	33	27	30	26	2	n°50
14812		M14								
14813		M16								
14805		M10								
14806	1	M12	35	32.5	43	35	35	32	1.5	n°50
14807		M14								
14808		M16								
14809		M20								
14825		M10								
14826		M12								
14827	1	M14	35	31.5	43	35	35	31	2	n°50
14828		M16								
14829		M20								
14783		M10								
14756		M12								
14784	2	M14	38	35.4	43	35	38.1	34.9	1.6	n°50
14757		M16								
14785		M20								
14786		M10								
14758		M12								
14759	2	M14	38	32.6	43	35	38.1	32.1	3	n°50
14787		M16								
14788		M20								
14790		M10								
14769		M12								
14770	2	M14	40	37.5	55	45	40	37	1.5	n°50
14771		M16								
14772		M20								
14600		M10								
14601		M12								
14602	2	M14	40	36.5	55	45	40	36	2	n°50
14603		M16								
14604		M20								
14605		M12								
14606	2	M14	50	47.5	55	44	50	47	1.5	n°50
14607		M16								
14608		M20								
14609		M12								
14610	2	M14	50	46.5	55	44	50	46	2	n°50
14611		M16								
14612		M20								
14795		M12								
14796	2	M14	50	45.5	55	44	50	45	2.5	n°50
14797		M16								
14798		M20								
14830		M14								
14831	2	M16	60	56.5	55	45	60	46	2	n°50
14832		M20								

# Support bases

Preferred type, readily available (codes marked in red)



AISI 304  
Stainless steel



Nickel plated brass



Reinforced polyamide



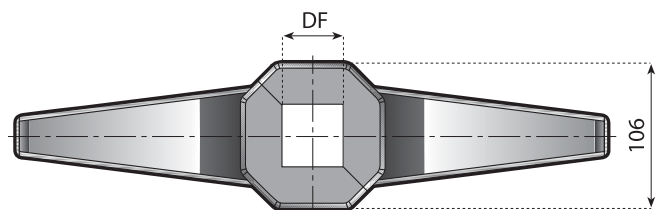
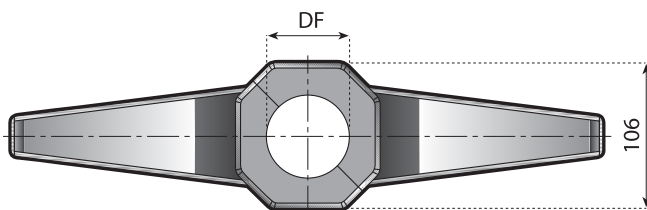
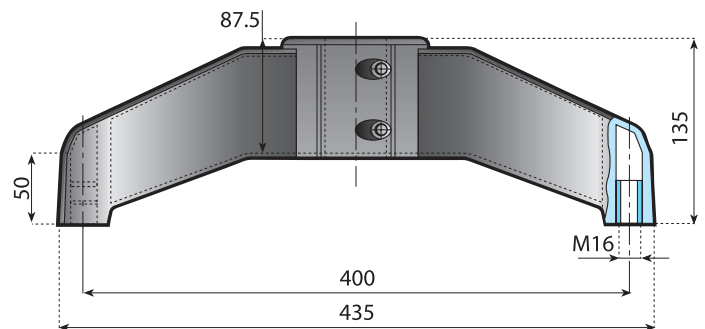
- Reinforced design
- Completely closed structure easier to clean and to disinfect

## COMPLETELY CLOSED VERSION

This split version permits a better clamping of both round and square tubes.  
Each bipod is supplied complete with ultrasonic welded protection coverings, which prevent dirt, dust or liquid infiltration in the lower part of the base.

## SPLIT BIPODS

**Material:** reinforced polyamide threaded bushings in nickel plated brass fasteners in stainless steel AISI 304.

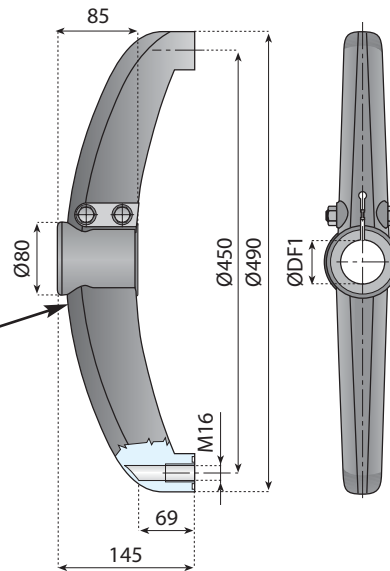
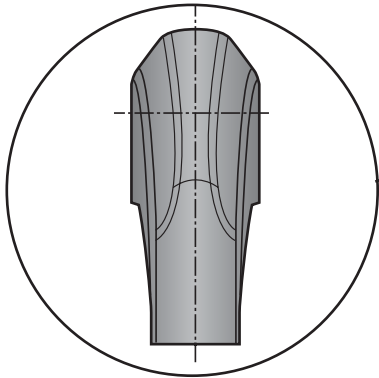


Code	DF - for tube Ø		n°15
	mm	inch.	
<b>15502</b>	48.3	1.1/2	n°15
<b>15501</b>	60.3	1.1/4	

Code	DF - for square tube ∅		n°15
	mm	inch.	
<b>15499</b>	45x45	-	n°15
<b>15500</b>	50x50	2.38x2.38	

# Support bases

 Preferred type, readily available (codes marked in red)



AISI 304  
Stainless steel



Nickel plated brass



Reinforced  
polyamide




Zinc plated steel

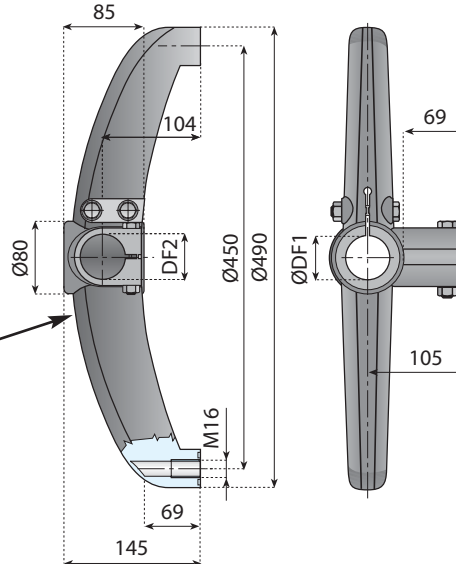
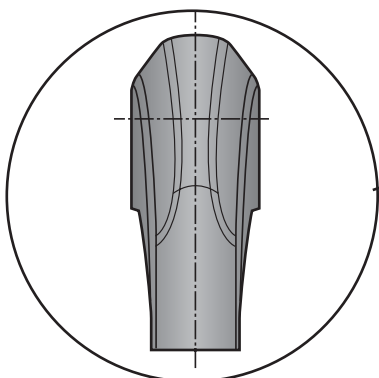
**Features:**  
Increased stability  
Self cleaning design



### BIPODS

**Material:** reinforced polyamide threaded bushings and spacers in nickel plated brass.  
**Fasteners:** see table on the right.

Code	DF1 - for tube Ø		Fasteners	
	mm	inch.		
<b>15055</b>	38.1	-	Zinc plated steel	n°15
<b>15057</b>	42.4	1.1/4		
<b>15059</b>	48.3	1.1/2		
<b>15061</b>	50.9	-		
<b>15063</b>	60.3	2	Stainless steel AISI 304	n°15
<b>15056</b>	38.1	-		
<b>15058</b>	42.4	1.1/4		
<b>15060</b>	48.3	1.1/2		
<b>15062</b>	50.9	-		
<b>15064</b>	60.3	2		




**Features:**  
Increased stability  
Self cleaning design



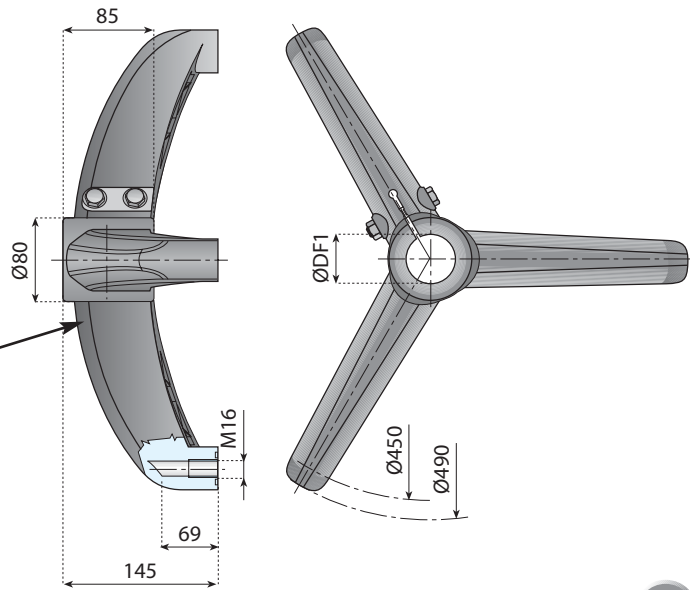
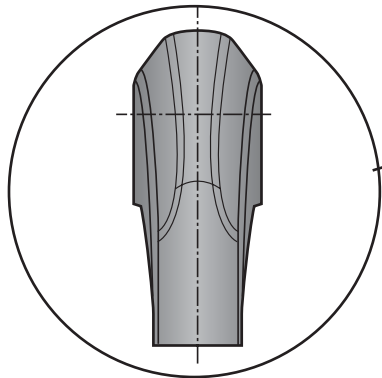
### BIPODS 180° WITH JOINT

**Material:** reinforced polyamide threaded bushings and spacers in nickel plated brass.  
**Fasteners:** see table on the right.

Code	DF1 - for tube Ø		DF2 - for tube Ø		Fasteners	
	mm	inch.	mm	inch.		
<b>15065</b>	42.4	1.1/4	42.4	1.1/4	Zinc plated steel	n°15
<b>15067</b>	48.3	1.1/2				
<b>15069</b>	50.9	-				
<b>15071</b>	60.3	2				
<b>15066</b>	42.4	1.1/4	48.3	1.1/2	Stainless steel AISI 304	n°15
<b>15068</b>	48.3	1.1/2				
<b>15070</b>	50.9	-				
<b>15072</b>	60.3	2				
<b>15073</b>	48.3	1.1/2				
<b>15075</b>	50.9	-				
<b>15077</b>	60.3	2	48.3	1.1/2	Zinc plated steel	n°15
<b>15074</b>	48.3	1.1/2				
<b>15076</b>	50.9	-				
<b>15078</b>	60.3	2				

# Support bases

Preferred type, readily available (codes marked in red)



**SS 304**

AISI 304  
Stainless steel

**NPB**

Nickel plated brass

**PA FG**

Reinforced polyamide

**ZP**

Zinc plated steel

**Features:**  
Increased stability  
Self cleaning design

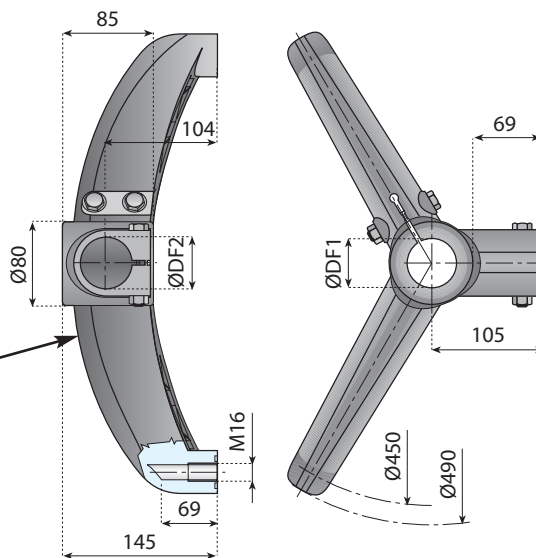
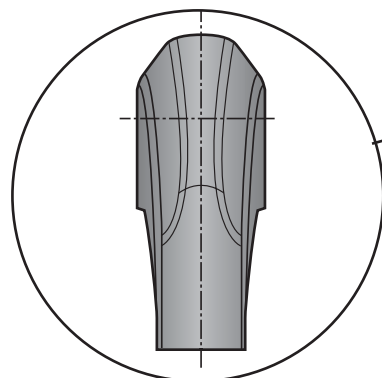
**IMPROVED DESIGN**

### TRIPODS

**Material:** reinforced polyamide threaded bushings and spacers in nickel plated brass.

**Fasteners:** see table on the right.

Code	DF1 - for tube Ø		Fasteners	
	mm	inch.		
<b>15079</b>	38.1	-	Zinc plated steel	n°15
<b>15081</b>	42.4	1.1/4		
<b>15083</b>	48.3	1.1/2		
<b>15085</b>	50.9	-		
<b>15087</b>	60.3	2		
<b>15080</b>	38.1	-	Stainless steel AISI 304	n°15
<b>15082</b>	42.4	1.1/4		
<b>15084</b>	48.3	1.1/2		
<b>15086</b>	50.9	-		
<b>15088</b>	60.3	2		



**Features:**  
Increased stability  
Self cleaning design

**IMPROVED DESIGN**

### BIPODS 120° WITH JOINT

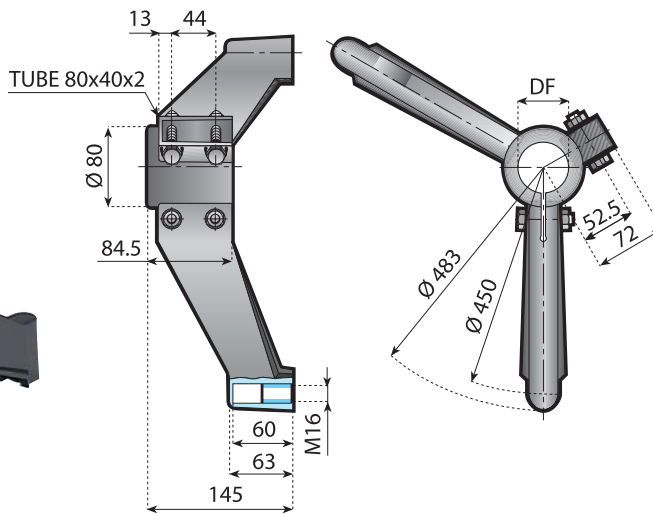
**Material:** reinforced polyamide threaded bushings and spacers in nickel plated brass.

**Fasteners:** see table on the right.

Code	DF1 - for tube Ø		DF2 - for tube Ø		Fasteners	
	mm	inch.	mm	inch.		
<b>15089</b>	42.4	1.1/4	42.4	1.1/4	Zinc plated steel	n°15
<b>15091</b>	48.3	1.1/2				
<b>15093</b>	50.9	-				
<b>15095</b>	60.3	2				
<b>15090</b>	42.4	1.1/4				
<b>15092</b>	48.3	1.1/2	42.4	1.1/4	Stainless steel AISI 304	n°15
<b>15094</b>	50.9	-				
<b>15096</b>	60.3	2				
<b>15097</b>	48.3	1.1/2	48.3	1.1/2	Zinc plated steel	n°15
<b>15099</b>	50.9	-				
<b>15101</b>	60.3	2				
<b>15098</b>	48.3	1.1/2				
<b>15100</b>	50.9	-				
<b>15102</b>	60.3	2	48.3	1.1/2	Stainless steel AISI 304	n°15

# Support bases

 Preferred type, readily available (codes marked in red)



AISI 304  
Stainless steel



Nickel plated brass



Reinforced polyamide




Zinc plated steel

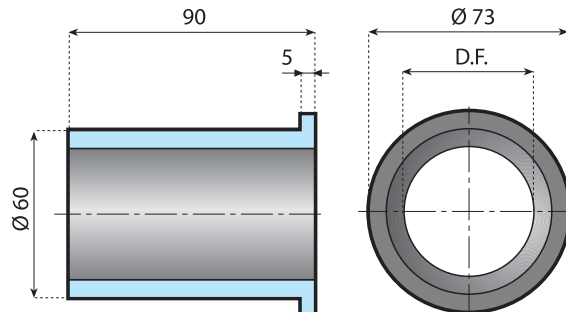
- Cross ribs
- Improved load resistance
- Increased thickness
- Improved flex resistance


## BIPODS

**Material:** reinforced polyamide threaded bushings and spacers in nickel plated brass.

**Fasteners:** see table on the right.

Code	DF - for tube Ø		Fasteners	
	mm	inch.		
15704	42.4	1.1/4	Zinc plated steel	n°15
15508	48.3	1.1/2		
15817	50.9	-		
15512	60.3	2	Stainless steel	n°15
15705	42.4	1.1/4		
15509	48.3	1.1/2		
15825	50.9	-		
15513	60.3	2		



Code	DF - for tube Ø			Material
	mm	inch.		
15204	50.9	-	n°25	PA
15205	48.3	1.1/2		
15206	42.4	1.1/4		
15207	50	-		

## REDUCTION BUSH

# Articulated feet

Preferred type, readily available (codes marked in red)



AISI 304  
Stainless steel



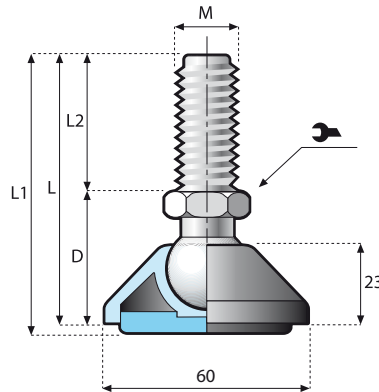
Nickel plated brass



Polyamide



Zinc plated steel

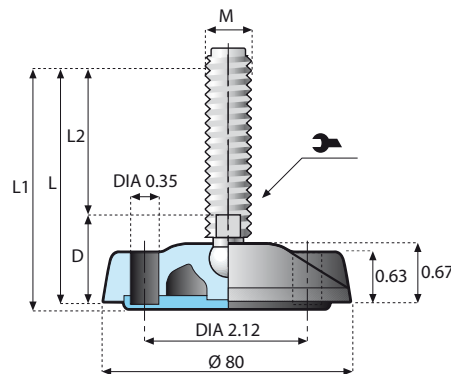


D60

Code	Code	Spindle		Nut		D		M	L	L1	L2	
Standard	Antivibration	Type	Material	material								
<b>17514</b>	<b>17714</b>	3	PA.FE	FE.ZN	42	24	16	104	107	62	4000	
<b>17515</b>	<b>17715</b>	3	PA.FE	S/S	42	24	16	104	107	62	10000	
<b>17517</b>	<b>17722</b>	11	OT.NI	S/S	41	20	16	98	101	57	12000	
<b>17519</b>	<b>17523</b>	1	S/S 304	S/S	42	24	16	107	110	65	12000	
<b>17524</b>	<b>17525</b>	1	S/S 304	S/S	42	24	16	157	160	115	12000	
<b>17766</b>	<b>17767</b>	2	S/S 304	S/S	41	24	16	98	101	57	15000	
<b>17768</b>	<b>17769</b>	2	S/S 304	S/S	41	24	16	156	159	115	15000	

## ARTICULATED FOOT

**Material:** pad in polyamide, spindle and nut as in the table, antivibration version with oil resistant rubber hardness 70 shore.



D80

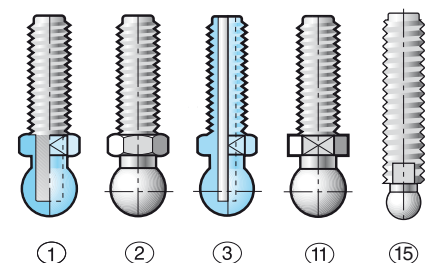
Code	Code	Spindle		Nut		D		M	L	L1	L2	
Standard	Antivibration	Type	Material	material								
<b>17540</b>	<b>17549</b>	15	FE.ZN	FE.ZN	28	13	16	97	100	69	15000	
<b>17541</b>	<b>17550</b>	15	FE.ZN	FE.ZN	28	13	16	147	150	119	15000	
<b>17560</b>	<b>17570</b>	15	S/S 304	S/S	28	13	16	97	100	69	15000	
<b>17561</b>	<b>17571</b>	15	S/S 304	S/S	28	13	16	147	150	119	15000	

## ARTICULATED FOOT

**Material:** pad in polyamide, spindle and nut as in the table, antivibration version with oil resistant rubber hardness 70 shore.

S/S = STAINLESS STEEL AISI 304  
 FE.ZN = ZINC PLATED STEEL • = WITHOUT NUT  
 OT.NI = NICKEL PLATED BRASS  
 PA.FE = POLYAMIDE WITH STEEL INSERT  
 STANDARD VERSION = WITHOUT RUBBER  
 ANTIVIBRATION VERSION = WITH RUBBER

STATED LOAD VALUES ARE MEANT FOR STATIC CONDITIONS. SUCH VALUES HAVE TO BE ADEQUATELY REDUCED IN PRESENCE OF HIGH FREQUENCY VIBRATIONS OR DYNAMIC LOADS. FOR FURTHER INFORMATION CONTACT OUR TECHNICAL OFFICE.



# Articulated feet

 Preferred type, readily available (codes marked in red)



AISI 304  
Stainless steel



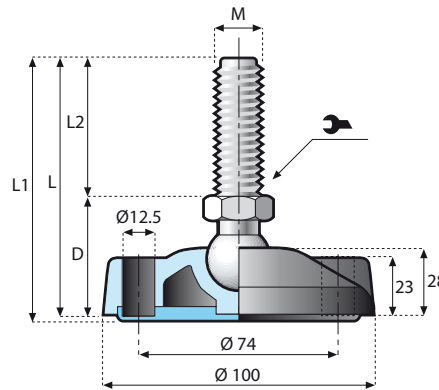
Nickel plated brass



Polyamide





Zinc plated steel

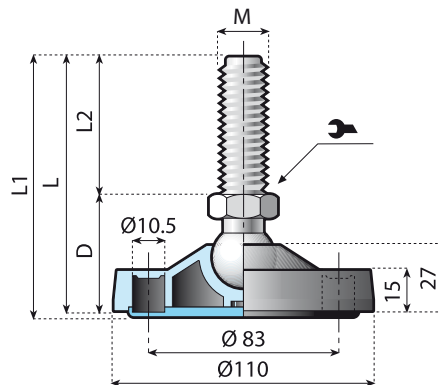


## D100

### ARTICULATED FOOT

**Material:** pad in polyamide, spindle and nut as in the table, antivibration version with oil resistant rubber hardness 70 shore.



Code	Code	Spindle		Nut material	D		M	L	L1	L2	
		Standard	Antivibration								
<b>17629</b>	<b>17645</b>			•	47	24	16	112	115	65	12000
<b>17630</b>	<b>17646</b>		S/S 304	•	47	24	16	162	165	115	12000
<b>17782</b>	<b>17783</b>			•	45	24	16	102	105	57	18000
<b>17784</b>	<b>17785</b>		S/S 304	•	45	24	16	160	163	115	18000



## D110

### ARTICULATED FOOT

**Material:** pad in polyamide, spindle and nut as in the table, antivibration version with oil resistant rubber hardness 70 shore.

Code	Code	Spindle		Nut material	D		M	L	L1	L2	
		Standard	Antivibration								
<b>17528</b>	<b>17456</b>			S/S	47	24	16	112	115	65	12000
<b>17520</b>	<b>17458</b>		S/S 304	S/S	47	24	16	162	165	115	12000
<b>17363</b>	<b>17367</b>				47	24	16	207	210	160	12000
<b>17710</b>	<b>17711</b>				45	24	16	102	105	57	18000
<b>17712</b>	<b>17713</b>		S/S 304	S/S	45	24	16	160	163	115	18000
<b>17717</b>	<b>17718</b>				45	24	16	190	193	145	18000

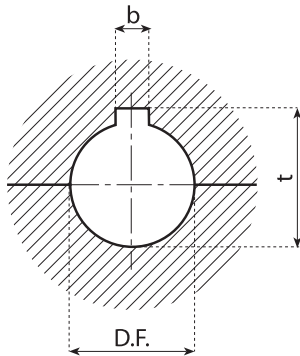
FOR FURTHER INFORMATION ABOUT THIS LINE PLEASE CONSULT THE PRESSO-LINE CATALOGUE.



**Technical information**  
**Chemical resistance**

# Technical information tolerances and dimensions

## SPLIT SPROCKETS



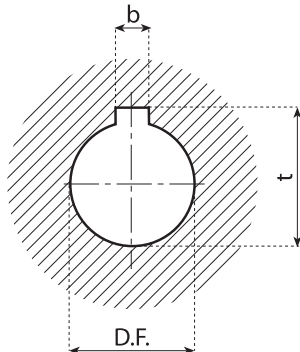
DF mm		b mm		t mm	
nominal	tolerance	nominal	tolerance	nominal	tolerance
20	P9 (-0.022 / -0.074)	6	P9 (-0.012 / -0.042)	22.8	+0.1 / 0
25	P9 (-0.022 / -0.074)	8	P9 (-0.015 / -0.051)	28.3	+0.2 / 0
30	P9 (-0.026 / -0.088)	8	P9 (-0.015 / -0.051)	33.3	+0.2 / 0
35	P9 (-0.026 / -0.088)	10	P9 (-0.015 / -0.051)	38.3	+0.2 / 0
40	P9 (-0.026 / -0.088)	12	P9 (-0.018 / -0.061)	43.3	+0.2 / 0
45	P9 (-0.026 / -0.088)	14	P9 (-0.018 / -0.061)	48.8	+0.2 / 0
50	P9 (-0.026 / -0.088)	14	P9 (-0.018 / -0.061)	53.8	+0.2 / 0

UNI 6604 - 69 / ISO 773 - DIN 6885

Tolerance for "plus" sprockets

DF (+0.5 mm / +0.3 mm)	b (+0.3 mm / +0.2 mm)	t (+0.4 mm / +0.2 mm)
------------------------	-----------------------	-----------------------

## STANDARD SPROCKETS



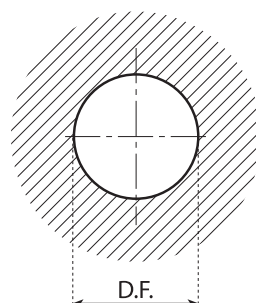
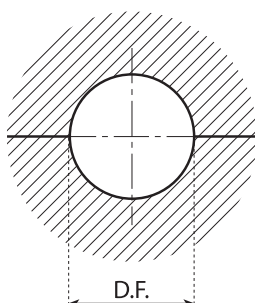
DF mm		b mm		t mm	
nominal	tolerance	nominal	tolerance	nominal	tolerance
20	H7 (+0.021 / 0)	6	D10 (+0.078 / +0.030)	22.8	+0.1 / 0
25	H7 (+0.021 / 0)	8	D10 (+0.098 / +0.040)	28.3	+0.2 / 0
30	H7 (+0.021 / 0)	8	D10 (+0.098 / +0.040)	33.3	+0.2 / 0
35	H7 (+0.025 / 0)	10	D10 (+0.098 / +0.040)	38.3	+0.2 / 0
40	H7 (+0.025 / 0)	12	D10 (+0.120 / +0.050)	43.3	+0.2 / 0
45	H7 (+0.025 / 0)	14	D10 (+0.120 / +0.050)	48.8	+0.2 / 0
50	H7 (+0.025 / 0)	14	D10 (+0.120 / +0.050)	53.8	+0.2 / 0

UNI 6604 - 69 / ISO 773 - DIN 6885

Tolerance for "plus" sprockets

DF (+0.5 mm / +0.3 mm)	b (+0.3 mm / +0.2 mm)	t (+0.4 mm / +0.2 mm)
------------------------	-----------------------	-----------------------

## STANDARD AND SPLIT IDLER WHEELS



DF mm	
nominal	tolerance
20	+0.4 / +0.2
25	+0.4 / +0.2
30	+0.4 / +0.2
35	+0.4 / +0.2
40	+0.4 / +0.2
45	+0.4 / +0.2
50	+0.4 / +0.2

# Technical information tolerances and dimensions

## INTERNATIONAL SYSTEM (SI) CONVERSION FACTORS

To convert SI (metric)	Symbol SI	Divided by factor	To obtain
<b>Length</b>			
meter	m	0.3048	foot
centimeter	cm	30.48	foot
millimeter	mm	304.8	foot
meter	m	0.0254	inch
centimeter	cm	2.54	inch
millimeter	mm	25.4	inch
meter	m	1609.34	mile
kilometer	km	1.60934	mile
meter	m	0.9144	yard
<b>Mass</b>			
gram	g	28.3495	ounce (avoirdupois)
kilogram	kg	0.0283495	ounce (avoirdupois)
kilogram	kg	0.45359	pound (avoirdupois)
<b>Velocity</b>			
meter/minute	–	0.00508	foot/hour
meter/hour	–	0.3048	foot/hour
meter/minute	–	0.3048	foot/minute
meter/second	m/s	0.00508	foot/minute
meter/minute	–	18.288	foot/second
meter/second	m/s	0.3048	foot/second
<b>Force</b>			
newton	N	9.80665	kilogram-force
newton	N	9.80665	kilopound
newton	N	0.27801	ounce-force
newton	N	4.44822	pound-force
newton/meter	N/m	175.1268	pound/inch
newton/meter	N/m	14.5939	pound/foot

## APPLICATION TEMPERATURES

Material	Symbol	Min. Temp. C°	Max. temperature °C	
			Dry environment	Wet environment
Carbon steel	CS	- 40°	+ 180°	+ 120°
Ferritic stainless steel	SS	- 40°	+ 260°	+ 120°
Austenitic stainless steel	AU	- 40°	+ 420°	+ 120°
Acetal	POM	- 40°	+ 85°	+ 70°
Lf Acetal	POM	- 40°	+ 85°	+ 70°
Polyamide	PA	- 10°	+ 80°	+ 90°
Reinforced polyamide	PA.FV	- 20°	+ 120°	+ 120°
Polypropylene	PP	- 5°	+ 100°	+ 100°
Reinforced polypropylene	PP.FV	- 10°	+ 110°	+ 110°
Polyethylene	PE	- 40°	+ 80°	+ 70°

# Chemical resistance

Data shown in the table was taken from laboratory tests performed on unstrained samples and are merely indicative.

Chemical resistance under normal working conditions can depend on various factors, such as stress and temperature, concentration of the chemical agent and duration of its effects.

CHEMICAL AGENT	Polyamide		Polypropylene		Acetal resin		Polyethylene		Nickel plated brass		Rubber		Stainless steel			
	PA		PP		POM		PE		OT.NI.		NBR		VITON		AISI 304	
	C	Note % 23°C	C	Note % 23°C	C	Note % 23°C	C	Note % 23°C	C	Note % 23°C	C	Note % 23°C	C	Note % 23°C	C	Note % 23°C
<b>TECHNICAL INFORMATION</b>																
Acetic acid	S	10 ★	40 ●		5 ★		10 ●		○		★		20 ★		20 ●	
Acetone		100 ●		●		○		●		●		★		★		25 ●
Acrylonitrile		100 ●		●								★		★		
Aluminium chloride	S	10 ●		○							S	●	S	SA	●	○
Aluminium sulphate	S	10 ●		●				●			S	●	S	SA	●	
Amyl alcohol		100 ●		●				●							●	●
Ammonia		10 ●	30 ●	S	●		●		★	S	○	S		○	100 ●	
Ammonium chloride	S	10 ●	S	10 ●						S	●	S	SA	●		○
Aniline		100 ○		●			3 ●				★			●		●
Barium chloride	S	10 ●		●						S	●	S		●		○
Beer		●		●		●		●		●		●		●		●
Benzene				●		●			○							70 ○
Benzic acid	S	SA ○		SA ●						S	●	S		●		100 ●
Benzol		100 ●		○		●		○		●		★		○		●
Boric acid	S	10 ●		SA ●			SA ●			S	●	S	SA	●		SA ●
Brine		○		○				●								○
Butter		●		●		●		●		●		●		●		●
Butyl acetate		100 ●		○										★		
Butyl alcohol		100 ●		●							○			●		●
Butyl glycole		100 ●		●												
Calcium chloride	S	10 ●	S	50 ●			SA ●		●	S	●	S	SA	●		○
Carbon sulphide		100 ●		●		●					★			●		●
Carbon tetrachloride		●		★		●			●		★			●		10 ●
Chlorine water				★		★		★								★
Chloroform		100 ★		○		★		★		●		★		●		●
Chromic acid	S	1 ○								S	★		50 ●		10 ●	
Citric acid	S	10 ○		10 ●		○		●		★	S	●	S	SA	●	25 ●
Cyclohexane		100 ●		●							●			●		
Cyclohexanol		100 ●		●							●			●		
Decalin		●		○							○			★		
Dioxane		●		○							★					
Distilled water		●		●		●		●		●				★		●
Ethyl acetate		100 ●		●							★			●		○
Ethyl alcohol		96 ●		96 ●		●					○		○	○	10 ●	
Ethyl chloride		100 ●		★				○		○		○		★		●
Ethyl ether		100 ●		●										●		
Ferric chloride	S	10 ●		●							S	●	S	SA	●	○
Food fats		●				●		●			●			●		●
Food oils		●		●		●		●			●			●		●
Formaldehyde	S	30 ●	S	40 ●		●		○		●		○		40 ★		100 ●
Formic acid	S	10 ★				10 ★		10 ★		●		★		○		★
Freon 12	L	●												●		●
Fresh water		●		●		●		●			●			●		●
Fruit juice		●		●		●		●			●			●		○
Gasoline		●		○				○		○		○		●		●
Glycerine		●		●		●		●		●		●		●		●
Hydrochloric acid	S	10 ★	S	30 ●		35 ★		35 ●		○	S	○		37 ●		★
Hydrofluoric acid	S	40 ★		40 ●				70 ●				★		48 ●		★
Hydrogen peroxide	S	3 ★									S	★		90 ●		●
Isopropyl alcohol		●		●										●		●
Lactic acid	S	10 ●	S	20 ●		●		●		★	S	●		●		○
Linseed oil		●		●		●		●			●			●		●

# Chemical resistance

Data shown in the table was taken from laboratory tests performed on unstrained samples and are merely indicative.

Chemical resistance under normal working conditions can depend on various factors, such as stress and temperature, concentration of the chemical agent and duration of its effects.

CHEMICAL AGENT	Polyamide		Polypropylene		Acetal resin		Polyethylene		Nickel plated brass		Rubber		Stainless steel	
	PA		PP		POM		PE		OT.NI.		NBR		VITON	
	C	Note % 23°C	C	Note % 23°C	C	Note % 23°C	C	Note % 23°C	C	Note % 23°C	C	Note % 23°C	C	Note % 23°C

TECHNICAL INFORMATION																				
Magnesium chloride	S	10	●	S	SA	●					S	●	S	SA	●	○				
Methyl acetate		100	●			●						★		★		○				
Methyl alcohol		100	●				●			●		○		○		80 ●				
Methylene chloride		100	●		○		★		○			★		○		○				
Milk			●			●			●		●		●		●	●				
Mineral oil			●			●			●		●		●		●	●				
Nitric acid		10	★	S		●	5	●	5	○		S	10	★	70	●	65	●		
Nitrobenzene		100	○			●							★		○					
Oleic acid		100	●			●			○		●		○		○			●		
Oxalic acid	S	10	○	S	50	●						S	○	S		●	65	●		
Paraffin							●		●											
Petroleum			●			●			★		●		●		●			●		
Petroleum ether			●			●					●		★		●			●		
Phenol	S		★			●							★		●			●		
Phosphoric acid	S	10	★		85	●	10	★	95	●		★	S	20	○	85	●	★		
Potassium bichromate	S	5	○	S	10	●						S	○	S	SA	●				
Potassium bromide	S	10	●			SA	●					S	●	S		●				
Potassium hydroxide	S	10	●			50	●	25	★	25	●		S	○	S		●	50	●	
Potassium permanganate		1	★	S		●						S	★	S		●			●	
Sea water			●			●		○		●		●		●		●			●	
Silicone oil			●			●							●		●				●	
Silver nitrate			●	S	20	●						S	○	S		●			○	
Sodium carbonate		10	●	S	SA	●		●		●		S	●	S		●			100	●
Sodium chloride	S	10	●	S	SA	●		●		●		S	●	S	SA	●				○
Sodium hydroxide	S	10	●									S	○							●
Sodium hypochlorite	S		●	S	20	●		★		●		S	★		5	●			★	
Sodium silicate			●									S	●			●			100	●
Sodium sulphate	S	10	●									S	●	S		●			100	●
Soft drinks			●			●		●		●			●		●					●
Suds	S		●			●		●		●		S	●		●					●
Sulphuric acid	S	10	★			98	●	40	★	40	○		●	S	★	95	●		★	
Tartaric acid			●	S	10	●		30	○		●		★	S		●			50	●
Tetrahydrofuran			●			○							★		★					
Tetralin			●			★							★		●					★
Tincture of iodine			★			●			●			★		★		●				○
Toluol			●			●							★		○					
Transformer oil			●			○							●		●					
Trichloroethylene			○			○							★		●					★
Triethanolamin			●			●							★		★					
Turpentine							★		★											●
Vaseline			●						○				●		●					●
Vegetable juice			●			●		●		●			●		●					●
Vegetable oils			●			●		●		●			●		●					●
Vinegar			●			●		●		●			○		★					●
Water and soap			●			●		●		●			●		●					●
Whisky			●			●						●		●		●				●
Wine			●			●		●		●			●		●					●
Xylol			●			★		●		○			○		★		●			●

## ABBREVIATION

C = concentration    SA = saturated    ● = Good resistance.    ★ = Insufficient resistance (not recommended).  
 L = liquid    S = solution    ○ = Fairly good resistance depending on use conditions    **Blank spaces** = No tests performed





# Index

## LIST OF CODES

Code	Reference	Page	Code	Referement	Page	Code	Referement	Page	Code	Referement	Page
12025		<a href="#">198</a>	12822V		<a href="#">39</a>	12919		<a href="#">52</a>	13058		<a href="#">308</a>
12025W		<a href="#">198</a>	12823N		<a href="#">39</a>	13001		<a href="#">148</a>	13059		<a href="#">308</a>
12026		<a href="#">198</a>	12823V		<a href="#">39</a>	13002		<a href="#">148</a>	13060		<a href="#">308</a>
12026W		<a href="#">198</a>	12824N		<a href="#">39</a>	13003		<a href="#">148</a>	13061		<a href="#">308</a>
12027		<a href="#">198</a>	12824V		<a href="#">39</a>	13004		<a href="#">148</a>	13062		<a href="#">308</a>
12027W		<a href="#">198</a>	12826		<a href="#">52</a>	13005		<a href="#">149</a>	13063		<a href="#">308</a>
12028		<a href="#">198</a>	12827N		<a href="#">39</a>	13006		<a href="#">129</a>	13064		<a href="#">308</a>
12028W		<a href="#">198</a>	12827V		<a href="#">39</a>	13006NV		<a href="#">128</a>	13065		<a href="#">308</a>
12300		<a href="#">197</a>	12828N		<a href="#">39</a>	13007		<a href="#">132</a>	13066		<a href="#">308</a>
12301		<a href="#">197</a>	12828V		<a href="#">39</a>	13008NV		<a href="#">135</a>	13076		<a href="#">308</a>
12303N		<a href="#">38</a>	12829		<a href="#">292</a>	13009NV		<a href="#">135</a>	13077		<a href="#">308</a>
12303V		<a href="#">38</a>	12830		<a href="#">292</a>	13010NV		<a href="#">135</a>	13078		<a href="#">308</a>
12304N		<a href="#">39</a>	12831		<a href="#">48</a>	13011NV		<a href="#">135</a>	13079		<a href="#">308</a>
12304V		<a href="#">39</a>	12831LN		<a href="#">51</a>	13012		<a href="#">134</a>	13080		<a href="#">308</a>
12305N		<a href="#">39</a>	12831RN		<a href="#">49</a>	13013		<a href="#">138</a>	13081		<a href="#">308</a>
12305V		<a href="#">39</a>	12833		<a href="#">48</a>	13013S		<a href="#">138</a>	13088		<a href="#">214</a>
12306		<a href="#">196</a>	12833LN		<a href="#">51</a>	13014	VG-012-01	<a href="#">138</a>	13089		<a href="#">214</a>
12306AS		<a href="#">196</a>	12833RNF		<a href="#">49</a>	13014L	VG-012-03	<a href="#">138</a>	13100		<a href="#">223</a>
12306B		<a href="#">196</a>	12835		<a href="#">48</a>	13014S	VG-012-SH	<a href="#">138</a>	13101		<a href="#">223</a>
12307N		<a href="#">38</a>	12835LN		<a href="#">51</a>	13014SL	VG-012-03-SH	<a href="#">138</a>	13102		<a href="#">223</a>
12307V		<a href="#">38</a>	12835RN		<a href="#">49</a>	13015		<a href="#">140</a>	13104		<a href="#">276</a>
12308		<a href="#">196</a>	12836		<a href="#">48</a>	13016		<a href="#">253</a>	13104K		<a href="#">276</a>
12308AS		<a href="#">196</a>	12836LN		<a href="#">51</a>	13017		<a href="#">253</a>	13105		<a href="#">276</a>
12308G		<a href="#">196</a>	12836RN		<a href="#">49</a>	13018		<a href="#">253</a>	13106		<a href="#">276</a>
12531		<a href="#">53</a>	12837		<a href="#">48</a>	13019		<a href="#">260</a>	13107		<a href="#">276</a>
12532		<a href="#">53</a>	12837LN		<a href="#">51</a>	13020		<a href="#">214</a>	13108		<a href="#">276</a>
12533		<a href="#">53</a>	12837RNF		<a href="#">49</a>	13021		<a href="#">214</a>	13109		<a href="#">276</a>
12535N		<a href="#">46</a>	12838		<a href="#">48</a>	13022		<a href="#">215</a>	13110		<a href="#">276</a>
12535RN		<a href="#">47</a>	12838LN		<a href="#">51</a>	13023		<a href="#">215</a>	13111		<a href="#">276</a>
12535V		<a href="#">46</a>	12838RNF		<a href="#">49</a>	13024		<a href="#">215</a>	13112		<a href="#">276</a>
12536N		<a href="#">46</a>	12839		<a href="#">53</a>	13025		<a href="#">215</a>	13113		<a href="#">276</a>
12536RN		<a href="#">47</a>	12839F		<a href="#">53</a>	13026		<a href="#">215</a>	13114		<a href="#">277</a>
12536V		<a href="#">46</a>	12840		<a href="#">53</a>	13027		<a href="#">215</a>	13115		<a href="#">278</a>
12696		<a href="#">291</a>	12840F		<a href="#">52</a>	13028		<a href="#">253</a>	13116		<a href="#">278</a>
12697		<a href="#">291</a>	12841		<a href="#">52</a>	13029		<a href="#">253</a>	13120		<a href="#">140</a>
12698		<a href="#">291</a>	12842		<a href="#">52</a>	13030		<a href="#">253</a>	13121		<a href="#">254</a>
12699		<a href="#">291</a>	12843		<a href="#">52</a>	13031		<a href="#">254</a>	13121V		<a href="#">255</a>
12700		<a href="#">291</a>	12844		<a href="#">52</a>	13031V		<a href="#">255</a>	13122		<a href="#">254</a>
12701		<a href="#">291</a>	12845		<a href="#">52</a>	13032		<a href="#">254</a>	13122V		<a href="#">255</a>
12702		<a href="#">291</a>	12846		<a href="#">52</a>	13032V		<a href="#">255</a>	13123		<a href="#">254</a>
12703		<a href="#">291</a>	12847		<a href="#">52</a>	13033		<a href="#">254</a>	13123V		<a href="#">255</a>
12704		<a href="#">291</a>	12848		<a href="#">52</a>	13033V		<a href="#">255</a>	13124		<a href="#">254</a>
12705		<a href="#">291</a>	12849		<a href="#">52</a>	13034		<a href="#">254</a>	13124V		<a href="#">255</a>
12706		<a href="#">291</a>	12850		<a href="#">40</a>	13034V		<a href="#">255</a>	13125		<a href="#">254</a>
12707		<a href="#">292</a>	12855		<a href="#">40</a>	13035		<a href="#">254</a>	13125V		<a href="#">255</a>
12708		<a href="#">292</a>	12860N		<a href="#">39</a>	13035V		<a href="#">255</a>	13126		<a href="#">254</a>
12709		<a href="#">292</a>	12860V		<a href="#">39</a>	13036		<a href="#">254</a>	13126V		<a href="#">255</a>
12710		<a href="#">292</a>	12861N		<a href="#">39</a>	13036V		<a href="#">255</a>	13127		<a href="#">254</a>
12714		<a href="#">291</a>	12861V		<a href="#">39</a>	13037		<a href="#">251</a>	13127V		<a href="#">255</a>
12715		<a href="#">291</a>	12862N		<a href="#">38</a>	13037V		<a href="#">251</a>	13128		<a href="#">254</a>
12760		<a href="#">52</a>	12862V		<a href="#">38</a>	13038		<a href="#">251</a>	13128V		<a href="#">255</a>
12761		<a href="#">52</a>	12863N		<a href="#">39</a>	13038V		<a href="#">251</a>	13129		<a href="#">254</a>
12762		<a href="#">48</a>	12863V		<a href="#">39</a>	13039		<a href="#">251</a>	13129V		<a href="#">255</a>
12762LN		<a href="#">51</a>	12864N		<a href="#">39</a>	13039V		<a href="#">251</a>	13130		<a href="#">254</a>
12762RN		<a href="#">49</a>	12864V		<a href="#">39</a>	13040		<a href="#">222</a>	13130V		<a href="#">255</a>
12763		<a href="#">48</a>	12890		<a href="#">53</a>	13041		<a href="#">222</a>	13131		<a href="#">254</a>
12763LN		<a href="#">51</a>	12890F		<a href="#">53</a>	13042		<a href="#">222</a>	13131V		<a href="#">255</a>
12763RNF		<a href="#">49</a>	12891		<a href="#">53</a>	13043		<a href="#">222</a>	13132		<a href="#">254</a>
12797		<a href="#">52</a>	12892		<a href="#">48</a>	13044		<a href="#">223</a>	13132V		<a href="#">255</a>
12798		<a href="#">52</a>	12892LN		<a href="#">51</a>	13045		<a href="#">223</a>	13135		<a href="#">264</a>
12815N		<a href="#">38</a>	12892RN		<a href="#">49</a>	13046		<a href="#">223</a>	13139		<a href="#">264</a>
12815V		<a href="#">38</a>	12894		<a href="#">52</a>	13047		<a href="#">223</a>	13140		<a href="#">276</a>
12816		<a href="#">196</a>	12895N		<a href="#">38</a>	13048		<a href="#">223</a>	13141		<a href="#">276</a>
12816AS		<a href="#">196</a>	12895V		<a href="#">38</a>	13049		<a href="#">223</a>	13142		<a href="#">276</a>
12816B		<a href="#">196</a>	12896N		<a href="#">38</a>	13050		<a href="#">224</a>	13143		<a href="#">276</a>
12818		<a href="#">198</a>	12896V		<a href="#">38</a>	13051		<a href="#">224</a>	13144		<a href="#">264</a>
12820N		<a href="#">38</a>	12897N		<a href="#">38</a>	13052		<a href="#">224</a>	13145		<a href="#">277</a>
12820V		<a href="#">38</a>	12897V		<a href="#">38</a>	13054		<a href="#">215</a>	13146		<a href="#">277</a>
12821N		<a href="#">39</a>	12898		<a href="#">41</a>	13055		<a href="#">215</a>	13147		<a href="#">277</a>
12821V		<a href="#">39</a>	12899		<a href="#">41</a>	13056		<a href="#">215</a>	13148		<a href="#">280</a>
12822N		<a href="#">39</a>	12918		<a href="#">52</a>	13057		<a href="#">226</a>	13149		<a href="#">289</a>

# Index

## LIST OF CODES

Code	Referement	Page	Code	Referement	Page	Code	Referement	Page	Code	Referement	Page
13149SF		<a href="#">289</a>	13217		<a href="#">212</a>	13284		<a href="#">217</a>	13352F		<a href="#">137</a>
13150		<a href="#">289</a>	13218		<a href="#">212</a>	13285		<a href="#">217</a>	13353		<a href="#">136</a>
13151		<a href="#">277</a>	13219		<a href="#">212</a>	13286		<a href="#">217</a>	13353F		<a href="#">137</a>
13152		<a href="#">278</a>	13220		<a href="#">212</a>	13287		<a href="#">217</a>	13354		<a href="#">136</a>
13153		<a href="#">278</a>	13221		<a href="#">213</a>	13288		<a href="#">217</a>	13354F		<a href="#">137</a>
13154		<a href="#">280</a>	13222		<a href="#">213</a>	13289		<a href="#">217</a>	13355		<a href="#">311</a>
13155		<a href="#">279</a>	13223		<a href="#">213</a>	13290		<a href="#">217</a>	13356		<a href="#">311</a>
13156		<a href="#">279</a>	13224		<a href="#">213</a>	13291		<a href="#">217</a>	13357		<a href="#">311</a>
13157		<a href="#">279</a>	13225		<a href="#">213</a>	13292		<a href="#">217</a>	13360V		<a href="#">266</a>
13158		<a href="#">279</a>	13226		<a href="#">213</a>	13293		<a href="#">217</a>	13360VN		<a href="#">266</a>
13159		<a href="#">279</a>	13227		<a href="#">212</a>	13294		<a href="#">217</a>	13361V		<a href="#">266</a>
13160		<a href="#">277</a>	13228		<a href="#">212</a>	13296		<a href="#">257</a>	13361VN		<a href="#">266</a>
13161		<a href="#">278</a>	13229		<a href="#">212</a>	13296V		<a href="#">252</a>	13362V		<a href="#">266</a>
13162		<a href="#">278</a>	13230		<a href="#">212</a>	13296VA		<a href="#">252</a>	13362VN		<a href="#">266</a>
13163		<a href="#">136</a>	13231		<a href="#">285</a>	13297		<a href="#">257</a>	13363V		<a href="#">266</a>
13163F		<a href="#">137</a>	13232		<a href="#">285</a>	13297V		<a href="#">252</a>	13363VN		<a href="#">266</a>
13164		<a href="#">136</a>	13233		<a href="#">285</a>	13297VA		<a href="#">252</a>	13364V		<a href="#">266</a>
13164F		<a href="#">137</a>	13234		<a href="#">285</a>	13298		<a href="#">257</a>	13364VN		<a href="#">266</a>
13165		<a href="#">136</a>	13235		<a href="#">285</a>	13298FP		<a href="#">257</a>	13365V		<a href="#">266</a>
13165F		<a href="#">137</a>	13236		<a href="#">285</a>	13299		<a href="#">257</a>	13365VN		<a href="#">266</a>
13166		<a href="#">136</a>	13237		<a href="#">285</a>	13299FP		<a href="#">257</a>	13399		<a href="#">258</a>
13166F		<a href="#">137</a>	13238		<a href="#">285</a>	13300		<a href="#">256</a>	13400		<a href="#">258</a>
13167		<a href="#">134</a>	13239		<a href="#">285</a>	13301		<a href="#">256</a>	13401		<a href="#">314</a>
13168		<a href="#">134</a>	13240		<a href="#">285</a>	13302		<a href="#">256</a>	13402		<a href="#">314</a>
13169		<a href="#">134</a>	13241		<a href="#">285</a>	13302FP		<a href="#">256</a>	13403		<a href="#">314</a>
13170		<a href="#">134</a>	13242		<a href="#">285</a>	13303		<a href="#">256</a>	13404		<a href="#">314</a>
13171		<a href="#">153</a>	13243		<a href="#">285</a>	13303FP		<a href="#">256</a>	13405		<a href="#">314</a>
13172		<a href="#">153</a>	13244		<a href="#">285</a>	13310		<a href="#">268</a>	13406		<a href="#">314</a>
13173		<a href="#">153</a>	13245		<a href="#">285</a>	13310V		<a href="#">267</a>	13407		<a href="#">314</a>
13174		<a href="#">153</a>	13249		<a href="#">225</a>	13311		<a href="#">268</a>	13408		<a href="#">314</a>
13175		<a href="#">136</a>	13250		<a href="#">261</a>	13311V		<a href="#">267</a>	13409		<a href="#">314</a>
13175F		<a href="#">137</a>	13251		<a href="#">225</a>	13312		<a href="#">268</a>	13410		<a href="#">314</a>
13176		<a href="#">136</a>	13252		<a href="#">262</a>	13312V		<a href="#">267</a>	13411		<a href="#">314</a>
13176F		<a href="#">137</a>	13253		<a href="#">261</a>	13313		<a href="#">268</a>	13412		<a href="#">314</a>
13177		<a href="#">136</a>	13254		<a href="#">261</a>	13313FP		<a href="#">269</a>	13413		<a href="#">314</a>
13177F		<a href="#">137</a>	13255		<a href="#">261</a>	13314		<a href="#">268</a>	13414		<a href="#">309</a>
13178		<a href="#">136</a>	13256		<a href="#">261</a>	13314FP		<a href="#">269</a>	13414A		<a href="#">309</a>
13178F		<a href="#">137</a>	13257		<a href="#">262</a>	13315		<a href="#">268</a>	13415		<a href="#">309</a>
13180		<a href="#">265</a>	13258		<a href="#">262</a>	13315FP		<a href="#">269</a>	13415A		<a href="#">309</a>
13181		<a href="#">265</a>	13260		<a href="#">270</a>	13316		<a href="#">266</a>	13416		<a href="#">309</a>
13182		<a href="#">265</a>	13260V		<a href="#">267</a>	13317		<a href="#">266</a>	13416A		<a href="#">309</a>
13183		<a href="#">265</a>	13261		<a href="#">270</a>	13318		<a href="#">266</a>	13417		<a href="#">309</a>
13184		<a href="#">148</a>	13261V		<a href="#">267</a>	13319		<a href="#">266</a>	13417A		<a href="#">309</a>
13185		<a href="#">218</a>	13262		<a href="#">270</a>	13320		<a href="#">266</a>	13418		<a href="#">309</a>
13186		<a href="#">220</a>	13262V		<a href="#">267</a>	13321		<a href="#">266</a>	13418A		<a href="#">309</a>
13187		<a href="#">259</a>	13263		<a href="#">270</a>	13322		<a href="#">268</a>	13419		<a href="#">309</a>
13188		<a href="#">259</a>	13263V		<a href="#">267</a>	13322V		<a href="#">267</a>	13419A		<a href="#">309</a>
13189		<a href="#">260</a>	13264		<a href="#">270</a>	13323		<a href="#">268</a>	13420		<a href="#">309</a>
13190		<a href="#">128</a>	13264FP		<a href="#">271</a>	13323FP		<a href="#">269</a>	13420A		<a href="#">309</a>
13191		<a href="#">128</a>	13265		<a href="#">270</a>	13326		<a href="#">213</a>	13421		<a href="#">309</a>
13192		<a href="#">129</a>	13265FP		<a href="#">271</a>	13327		<a href="#">213</a>	13421A		<a href="#">309</a>
13193		<a href="#">129</a>	13266		<a href="#">270</a>	13328		<a href="#">213</a>	13422		<a href="#">309</a>
13194		<a href="#">129</a>	13266FP		<a href="#">271</a>	13332		<a href="#">213</a>	13422A		<a href="#">309</a>
13195		<a href="#">132</a>	13267		<a href="#">270</a>	13333		<a href="#">213</a>	13423		<a href="#">309</a>
13196		<a href="#">133</a>	13267FP		<a href="#">271</a>	13334		<a href="#">213</a>	13423A		<a href="#">309</a>
13197		<a href="#">133</a>	13268		<a href="#">211</a>	13338		<a href="#">312</a>	13424		<a href="#">309</a>
13198		<a href="#">260</a>	13269		<a href="#">211</a>	13340		<a href="#">313</a>	13424A		<a href="#">309</a>
13200		<a href="#">208</a>	13270		<a href="#">216</a>	13341		<a href="#">311</a>	13425		<a href="#">309</a>
13201		<a href="#">208</a>	13271		<a href="#">216</a>	13342		<a href="#">312</a>	13425A		<a href="#">309</a>
13205		<a href="#">224</a>	13272		<a href="#">216</a>	13343		<a href="#">311</a>	13426		<a href="#">309</a>
13206		<a href="#">224</a>	13273		<a href="#">216</a>	13344		<a href="#">312</a>	13426A		<a href="#">309</a>
13207		<a href="#">224</a>	13274		<a href="#">216</a>	13345		<a href="#">311</a>	13427		<a href="#">309</a>
13208		<a href="#">211</a>	13275		<a href="#">216</a>	13346		<a href="#">313</a>	13427A		<a href="#">309</a>
13209		<a href="#">211</a>	13276		<a href="#">216</a>	13347		<a href="#">313</a>	13428		<a href="#">309</a>
13210		<a href="#">211</a>	13277		<a href="#">217</a>	13348		<a href="#">312</a>	13428A		<a href="#">309</a>
13211		<a href="#">209</a>	13278		<a href="#">217</a>	13349		<a href="#">312</a>	13429		<a href="#">309</a>
13212		<a href="#">209</a>	13279		<a href="#">217</a>	13350		<a href="#">309</a>	13429A		<a href="#">309</a>
13213		<a href="#">212</a>	13280		<a href="#">217</a>	13350A		<a href="#">309</a>	13430		<a href="#">309</a>
13214		<a href="#">212</a>	13281		<a href="#">217</a>	13351		<a href="#">136</a>	13430A		<a href="#">309</a>
13215		<a href="#">212</a>	13282		<a href="#">217</a>	13351F		<a href="#">137</a>	13431		<a href="#">309</a>
13216		<a href="#">212</a>	13283		<a href="#">217</a>	13352		<a href="#">136</a>	13431A		<a href="#">309</a>

# Index

## LIST OF CODES

Code	Reference	Page	Code	Reference	Page	Code	Reference	Page	Code	Reference	Page
13432		<a href="#">309</a>	13468A		<a href="#">309</a>	13513		<a href="#">282</a>	13552		<a href="#">314</a>
13432A		<a href="#">309</a>	13469		<a href="#">309</a>	13513H		<a href="#">283</a>	13553		<a href="#">314</a>
13433		<a href="#">309</a>	13469A		<a href="#">309</a>	13513HV		<a href="#">283</a>	13554		<a href="#">314</a>
13433A		<a href="#">309</a>	13470		<a href="#">309</a>	13513V		<a href="#">282</a>	13555		<a href="#">314</a>
13434		<a href="#">309</a>	13470A		<a href="#">309</a>	13514		<a href="#">282</a>	13556		<a href="#">314</a>
13434A		<a href="#">309</a>	13471		<a href="#">309</a>	13514H		<a href="#">283</a>	13557		<a href="#">314</a>
13435		<a href="#">309</a>	13471A		<a href="#">309</a>	13514HV		<a href="#">283</a>	13558		<a href="#">314</a>
13435A		<a href="#">309</a>	13472		<a href="#">309</a>	13514V		<a href="#">282</a>	13559		<a href="#">314</a>
13436		<a href="#">309</a>	13472A		<a href="#">309</a>	13515		<a href="#">282</a>	13560		<a href="#">314</a>
13436A		<a href="#">309</a>	13473		<a href="#">309</a>	13515H		<a href="#">283</a>	13561		<a href="#">314</a>
13437		<a href="#">309</a>	13473A		<a href="#">309</a>	13515HV		<a href="#">283</a>	13562		<a href="#">314</a>
13437A		<a href="#">309</a>	13474		<a href="#">310</a>	13515V		<a href="#">282</a>	13563		<a href="#">314</a>
13438		<a href="#">309</a>	13474A		<a href="#">310</a>	13516		<a href="#">282</a>	13564		<a href="#">314</a>
13438A		<a href="#">309</a>	13475		<a href="#">310</a>	13516H		<a href="#">283</a>	13565		<a href="#">314</a>
13439		<a href="#">309</a>	13475A		<a href="#">310</a>	13516HV		<a href="#">283</a>	13566		<a href="#">314</a>
13439A		<a href="#">309</a>	13476		<a href="#">310</a>	13516V		<a href="#">282</a>	13567		<a href="#">314</a>
13440		<a href="#">309</a>	13476A		<a href="#">310</a>	13517		<a href="#">282</a>	13568		<a href="#">314</a>
13440A		<a href="#">309</a>	13477		<a href="#">310</a>	13517H		<a href="#">283</a>	13569		<a href="#">314</a>
13441		<a href="#">309</a>	13477A		<a href="#">310</a>	13517HV		<a href="#">283</a>	13570		<a href="#">314</a>
13441A		<a href="#">309</a>	13478		<a href="#">310</a>	13517V		<a href="#">282</a>	13571		<a href="#">314</a>
13442		<a href="#">309</a>	13478A		<a href="#">310</a>	13518		<a href="#">282</a>	13572		<a href="#">314</a>
13442A		<a href="#">309</a>	13479		<a href="#">310</a>	13518H		<a href="#">283</a>	13573		<a href="#">314</a>
13443		<a href="#">309</a>	13479A		<a href="#">310</a>	13518HV		<a href="#">283</a>	13574		<a href="#">314</a>
13443A		<a href="#">309</a>	13480		<a href="#">310</a>	13518V		<a href="#">282</a>	13575		<a href="#">314</a>
13444		<a href="#">309</a>	13480A		<a href="#">310</a>	13519		<a href="#">282</a>	13576		<a href="#">314</a>
13444A		<a href="#">309</a>	13481		<a href="#">310</a>	13519H		<a href="#">283</a>	13577		<a href="#">314</a>
13445		<a href="#">309</a>	13481A		<a href="#">310</a>	13519HV		<a href="#">283</a>	13580		<a href="#">220</a>
13445A		<a href="#">309</a>	13482		<a href="#">310</a>	13519V		<a href="#">282</a>	13581		<a href="#">220</a>
13446		<a href="#">309</a>	13482A		<a href="#">310</a>	13520		<a href="#">282</a>	13582		<a href="#">220</a>
13446A		<a href="#">309</a>	13483		<a href="#">310</a>	13520H		<a href="#">283</a>	13583		<a href="#">220</a>
13447		<a href="#">309</a>	13483A		<a href="#">310</a>	13520HV		<a href="#">283</a>	13584		<a href="#">220</a>
13447A		<a href="#">309</a>	13484		<a href="#">310</a>	13520V		<a href="#">282</a>	13585		<a href="#">220</a>
13448		<a href="#">309</a>	13484A		<a href="#">310</a>	13521		<a href="#">282</a>	13586		<a href="#">221</a>
13448A		<a href="#">309</a>	13485		<a href="#">310</a>	13521H		<a href="#">283</a>	13587		<a href="#">221</a>
13449		<a href="#">309</a>	13485A		<a href="#">310</a>	13521HV		<a href="#">283</a>	13588		<a href="#">221</a>
13449A		<a href="#">309</a>	13486		<a href="#">310</a>	13521V		<a href="#">282</a>	13589		<a href="#">221</a>
13450		<a href="#">309</a>	13486A		<a href="#">310</a>	13522		<a href="#">282</a>	13590		<a href="#">221</a>
13450A		<a href="#">309</a>	13487		<a href="#">310</a>	13522H		<a href="#">283</a>	13591		<a href="#">221</a>
13451		<a href="#">309</a>	13487A		<a href="#">310</a>	13522HV		<a href="#">283</a>	13592		<a href="#">221</a>
13451A		<a href="#">309</a>	13488		<a href="#">310</a>	13522V		<a href="#">282</a>	13593		<a href="#">221</a>
13452		<a href="#">309</a>	13488A		<a href="#">310</a>	13523		<a href="#">282</a>	13594		<a href="#">221</a>
13452A		<a href="#">309</a>	13489		<a href="#">310</a>	13523H		<a href="#">283</a>	13595		<a href="#">221</a>
13453		<a href="#">309</a>	13489A		<a href="#">310</a>	13523HV		<a href="#">283</a>	13596		<a href="#">221</a>
13453A		<a href="#">309</a>	13489S		<a href="#">310</a>	13523V		<a href="#">282</a>	13597		<a href="#">221</a>
13454		<a href="#">309</a>	13491		<a href="#">311</a>	13524		<a href="#">282</a>	13600		<a href="#">278</a>
13454A		<a href="#">309</a>	13492		<a href="#">311</a>	13524H		<a href="#">283</a>	13601		<a href="#">278</a>
13456		<a href="#">309</a>	13493		<a href="#">311</a>	13524HV		<a href="#">283</a>	13602		<a href="#">278</a>
13456A		<a href="#">309</a>	13494		<a href="#">155</a>	13524V		<a href="#">282</a>	13603		<a href="#">278</a>
13457		<a href="#">309</a>	13495		<a href="#">155</a>	13525		<a href="#">149</a>	13604		<a href="#">278</a>
13457A		<a href="#">309</a>	13496		<a href="#">155</a>	13526		<a href="#">149</a>	13605		<a href="#">278</a>
13458		<a href="#">309</a>	13500		<a href="#">288</a>	13527		<a href="#">149</a>	13606		<a href="#">278</a>
13458A		<a href="#">309</a>	13505		<a href="#">288</a>	13530		<a href="#">218</a>	13607		<a href="#">278</a>
13459		<a href="#">309</a>	13506		<a href="#">288</a>	13531		<a href="#">218</a>	13608		<a href="#">278</a>
13459A		<a href="#">309</a>	13507		<a href="#">288</a>	13532		<a href="#">218</a>	13609		<a href="#">278</a>
13460		<a href="#">309</a>	13508		<a href="#">288</a>	13533		<a href="#">218</a>	13610		<a href="#">278</a>
13460A		<a href="#">309</a>	13509		<a href="#">282</a>	13534		<a href="#">218</a>	13611		<a href="#">278</a>
13461		<a href="#">309</a>	13509H		<a href="#">283</a>	13535		<a href="#">218</a>	13612		<a href="#">278</a>
13461A		<a href="#">309</a>	13509HV		<a href="#">283</a>	13536		<a href="#">219</a>	13613		<a href="#">278</a>
13462		<a href="#">309</a>	13509V		<a href="#">282</a>	13537		<a href="#">219</a>	13614		<a href="#">278</a>
13462A		<a href="#">309</a>	13510		<a href="#">282</a>	13538		<a href="#">219</a>	13615		<a href="#">287</a>
13463		<a href="#">309</a>	13510H		<a href="#">283</a>	13539		<a href="#">219</a>	13616		<a href="#">286</a>
13463A		<a href="#">309</a>	13510HV		<a href="#">283</a>	13540		<a href="#">219</a>	13616H		<a href="#">286</a>
13464		<a href="#">309</a>	13510V		<a href="#">282</a>	13541		<a href="#">219</a>	13617		<a href="#">286</a>
13464A		<a href="#">309</a>	13511		<a href="#">282</a>	13542		<a href="#">219</a>	13617H		<a href="#">286</a>
13465		<a href="#">309</a>	13511H		<a href="#">283</a>	13543		<a href="#">219</a>	13618		<a href="#">286</a>
13465A		<a href="#">309</a>	13511HV		<a href="#">283</a>	13544		<a href="#">219</a>	13618H		<a href="#">286</a>
13466		<a href="#">309</a>	13511V		<a href="#">282</a>	13545		<a href="#">219</a>	13619		<a href="#">286</a>
13466A		<a href="#">309</a>	13512		<a href="#">282</a>	13546		<a href="#">219</a>	13619H		<a href="#">286</a>
13467		<a href="#">309</a>	13512H		<a href="#">283</a>	13547		<a href="#">219</a>	13620		<a href="#">286</a>
13467A		<a href="#">309</a>	13512HV		<a href="#">283</a>	13550		<a href="#">314</a>	13620H		<a href="#">286</a>
13468		<a href="#">309</a>	13512V		<a href="#">282</a>	13551		<a href="#">314</a>	13632		<a href="#">210</a>

# Index

## LIST OF CODES

Code	Reference	Page	Code	Reference	Page	Code	Reference	Page	Code	Reference	Page
13633		<a href="#">210</a>	13731		<a href="#">142</a>	13801		<a href="#">227</a>	13876		<a href="#">212</a>
13634		<a href="#">210</a>	13732		<a href="#">142</a>	13802		<a href="#">227</a>	13877		<a href="#">212</a>
13635		<a href="#">210</a>	13733		<a href="#">142</a>	13803		<a href="#">227</a>	13878		<a href="#">212</a>
13639		<a href="#">212</a>	13734		<a href="#">142</a>	13804		<a href="#">227</a>	13879		<a href="#">212</a>
13640		<a href="#">212</a>	13735		<a href="#">142</a>	13805		<a href="#">228</a>	13880		<a href="#">213</a>
13641		<a href="#">212</a>	13736		<a href="#">142</a>	13806		<a href="#">228</a>	13881		<a href="#">213</a>
13642		<a href="#">212</a>	13737		<a href="#">153</a>	13809		<a href="#">230</a>	13882		<a href="#">213</a>
13643		<a href="#">212</a>	13738		<a href="#">153</a>	13812		<a href="#">249</a>	13883		<a href="#">213</a>
13644		<a href="#">212</a>	13739		<a href="#">153</a>	13813		<a href="#">249</a>	13884		<a href="#">213</a>
13645		<a href="#">212</a>	13740		<a href="#">144</a>	13815		<a href="#">229</a>	13885		<a href="#">213</a>
13646		<a href="#">212</a>	13741		<a href="#">144</a>	13815W		<a href="#">229</a>	13886		<a href="#">215</a>
13647		<a href="#">212</a>	13742		<a href="#">144</a>	13816		<a href="#">229</a>	13887		<a href="#">215</a>
13648		<a href="#">212</a>	13743		<a href="#">144</a>	13816W		<a href="#">229</a>	13888		<a href="#">215</a>
13649		<a href="#">212</a>	13744NV		<a href="#">144</a>	13817		<a href="#">229</a>	13889		<a href="#">222</a>
13650		<a href="#">212</a>	13745		<a href="#">143</a>	13817W		<a href="#">229</a>	13890		<a href="#">222</a>
13651L		<a href="#">273</a>	13746		<a href="#">215</a>	13818		<a href="#">229</a>	13891		<a href="#">222</a>
13651P		<a href="#">273</a>	13747		<a href="#">215</a>	13818W		<a href="#">229</a>	13892		<a href="#">223</a>
13652L		<a href="#">273</a>	13748		<a href="#">215</a>	13819		<a href="#">229</a>	13893		<a href="#">223</a>
13652P		<a href="#">273</a>	13749		<a href="#">215</a>	13819W		<a href="#">229</a>	13894		<a href="#">223</a>
13653L		<a href="#">273</a>	13750		<a href="#">215</a>	13820		<a href="#">229</a>	13895		<a href="#">224</a>
13653P		<a href="#">273</a>	13751		<a href="#">215</a>	13820W		<a href="#">229</a>	13896		<a href="#">224</a>
13654L		<a href="#">273</a>	13752		<a href="#">250</a>	13821		<a href="#">229</a>	13897		<a href="#">224</a>
13654P		<a href="#">273</a>	13753		<a href="#">250</a>	13821W		<a href="#">229</a>	13898		<a href="#">225</a>
13655L		<a href="#">273</a>	13754		<a href="#">147</a>	13822		<a href="#">229</a>	13898		<a href="#">290</a>
13655P		<a href="#">273</a>	13755		<a href="#">147</a>	13822W		<a href="#">229</a>	13899		<a href="#">290</a>
13656L		<a href="#">273</a>	13756		<a href="#">147</a>	13823		<a href="#">229</a>	13900		<a href="#">226</a>
13656P		<a href="#">273</a>	13757		<a href="#">147</a>	13823W		<a href="#">229</a>	13901		<a href="#">156</a>
13657L		<a href="#">273</a>	13758		<a href="#">250</a>	13824		<a href="#">229</a>	13902		<a href="#">156</a>
13657P		<a href="#">273</a>	13760		<a href="#">208</a>	13824W		<a href="#">229</a>	13903		<a href="#">156</a>
13658L		<a href="#">273</a>	13761XP		<a href="#">146</a>	13825		<a href="#">229</a>	13904		<a href="#">156</a>
13658P		<a href="#">273</a>	13764		<a href="#">209</a>	13825W		<a href="#">229</a>	13905		<a href="#">156</a>
13659L		<a href="#">273</a>	13765		<a href="#">209</a>	13826		<a href="#">229</a>	13906		<a href="#">156</a>
13659P		<a href="#">273</a>	13767		<a href="#">208</a>	13826W		<a href="#">229</a>	13907		<a href="#">157</a>
13660L		<a href="#">273</a>	13768		<a href="#">208</a>	13827		<a href="#">335</a>	13908		<a href="#">157</a>
13660P		<a href="#">273</a>	13769		<a href="#">211</a>	13828		<a href="#">335</a>	13909		<a href="#">157</a>
13661L		<a href="#">273</a>	13770XP		<a href="#">146</a>	13829		<a href="#">199</a>	13910		<a href="#">157</a>
13661P		<a href="#">273</a>	13771		<a href="#">145</a>	13831		<a href="#">230</a>	13911		<a href="#">157</a>
13662L		<a href="#">273</a>	13772		<a href="#">145</a>	13833		<a href="#">199</a>	13912		<a href="#">157</a>
13662P		<a href="#">273</a>	13772XP		<a href="#">146</a>	13834		<a href="#">153</a>	13913		<a href="#">157</a>
13663L		<a href="#">273</a>	13773		<a href="#">145</a>	13835		<a href="#">155</a>	13914		<a href="#">157</a>
13663P		<a href="#">273</a>	13773XP		<a href="#">146</a>	13836		<a href="#">152</a>	13915		<a href="#">157</a>
13664L		<a href="#">273</a>	13774		<a href="#">145</a>	13837		<a href="#">154</a>	13916		<a href="#">157</a>
13664P		<a href="#">273</a>	13775		<a href="#">156</a>	13846		<a href="#">290</a>	13917		<a href="#">157</a>
13665L		<a href="#">273</a>	13776		<a href="#">156</a>	13847		<a href="#">214</a>	13918		<a href="#">158</a>
13665P		<a href="#">273</a>	13777		<a href="#">147</a>	13848		<a href="#">214</a>	13919		<a href="#">158</a>
13666		<a href="#">272-274</a>	13778		<a href="#">147</a>	13849		<a href="#">214</a>	13920		<a href="#">158</a>
13667		<a href="#">272-274</a>	13779		<a href="#">147</a>	13851		<a href="#">209</a>	13921		<a href="#">158</a>
13668		<a href="#">272-274</a>	13780		<a href="#">147</a>	13852		<a href="#">209</a>	13922		<a href="#">158</a>
13669		<a href="#">272-274</a>	13781		<a href="#">251</a>	13853		<a href="#">210</a>	13923		<a href="#">158</a>
13670		<a href="#">272-274</a>	13781V		<a href="#">251</a>	13854		<a href="#">210</a>	13924		<a href="#">158</a>
13671		<a href="#">272-274</a>	13782		<a href="#">251</a>	13855		<a href="#">210</a>	13925		<a href="#">158</a>
13692		<a href="#">211</a>	13782V		<a href="#">251</a>	13856		<a href="#">210</a>	13926		<a href="#">158</a>
13693		<a href="#">211</a>	13783		<a href="#">251</a>	13857		<a href="#">210</a>	13927		<a href="#">158</a>
13696		<a href="#">211</a>	13783V		<a href="#">251</a>	13858		<a href="#">210</a>	13928		<a href="#">158</a>
13697		<a href="#">211</a>	13784		<a href="#">152</a>	13859		<a href="#">210</a>	13929		<a href="#">158</a>
13715		<a href="#">155</a>	13785		<a href="#">152</a>	13860		<a href="#">210</a>	13930		<a href="#">226</a>
13716		<a href="#">155</a>	13786		<a href="#">154</a>	13861		<a href="#">210</a>	13931		<a href="#">226</a>
13717		<a href="#">155</a>	13787		<a href="#">154</a>	13862		<a href="#">210</a>	13932		<a href="#">226</a>
13718		<a href="#">155</a>	13788		<a href="#">128</a>	13863		<a href="#">211</a>	13933		<a href="#">156</a>
13719		<a href="#">153</a>	13789		<a href="#">128</a>	13864		<a href="#">211</a>	13934		<a href="#">156</a>
13720		<a href="#">149</a>	13790		<a href="#">128</a>	13865		<a href="#">211</a>	13935		<a href="#">156</a>
13721		<a href="#">141</a>	13791		<a href="#">128</a>	13866		<a href="#">211</a>	13936		<a href="#">156</a>
13722		<a href="#">141</a>	13792		<a href="#">131</a>	13867		<a href="#">211</a>	13937		<a href="#">156</a>
13723		<a href="#">141</a>	13793		<a href="#">131</a>	13868		<a href="#">212</a>	13938		<a href="#">156</a>
13724		<a href="#">141</a>	13794		<a href="#">131</a>	13869		<a href="#">212</a>	13939		<a href="#">157</a>
13725		<a href="#">141</a>	13795		<a href="#">131</a>	13870		<a href="#">212</a>	13940		<a href="#">157</a>
13726		<a href="#">141</a>	13796		<a href="#">140</a>	13871		<a href="#">212</a>	13941		<a href="#">158</a>
13727		<a href="#">141</a>	13797		<a href="#">149</a>	13872		<a href="#">212</a>	13942		<a href="#">158</a>
13728		<a href="#">141</a>	13798		<a href="#">149</a>	13873		<a href="#">212</a>	13943		<a href="#">158</a>
13729		<a href="#">142</a>	13799		<a href="#">149</a>	13874		<a href="#">212</a>	13944		<a href="#">158</a>
13730		<a href="#">142</a>	13800		<a href="#">199</a>	13875		<a href="#">212</a>	13945		<a href="#">158</a>

# Index

## LIST OF CODES

Code	Reference	Page	Code	Reference	Page	Code	Reference	Page	Code	Reference	Page
13946		<a href="#">158</a>	14052		<a href="#">332</a>	14133		<a href="#">295</a>	14353		<a href="#">70-337</a>
13947		<a href="#">158</a>	14053		<a href="#">329</a>	14134		<a href="#">304</a>	14354		<a href="#">63</a>
13948		<a href="#">158</a>	14068		<a href="#">330</a>	14135		<a href="#">296</a>	14355		<a href="#">63</a>
13950		<a href="#">158</a>	14069		<a href="#">330</a>	14135G		<a href="#">296</a>	14356		<a href="#">63</a>
13951		<a href="#">158</a>	14070		<a href="#">330</a>	14136		<a href="#">294</a>	14357		<a href="#">64</a>
13952		<a href="#">158</a>	14071		<a href="#">330</a>	14136G		<a href="#">294</a>	14358		<a href="#">64</a>
13953		<a href="#">158</a>	14072		<a href="#">330</a>	14137		<a href="#">294</a>	14361		<a href="#">64</a>
13954		<a href="#">159</a>	14073		<a href="#">330</a>	14137G		<a href="#">294</a>	14362		<a href="#">64</a>
13955		<a href="#">159</a>	14075		<a href="#">22</a>	14140		<a href="#">296</a>	14600		<a href="#">340</a>
13956		<a href="#">159</a>	14076N		<a href="#">24</a>	14141		<a href="#">296</a>	14601		<a href="#">340</a>
13957		<a href="#">159</a>	14076V		<a href="#">24</a>	14142		<a href="#">296</a>	14602		<a href="#">340</a>
13958		<a href="#">159</a>	14077N		<a href="#">24</a>	14150		<a href="#">325</a>	14603		<a href="#">340</a>
13959		<a href="#">159</a>	14077V		<a href="#">24</a>	14151		<a href="#">325</a>	14604		<a href="#">340</a>
13960		<a href="#">141</a>	14078N		<a href="#">25</a>	14152		<a href="#">325</a>	14605		<a href="#">340</a>
13961		<a href="#">141</a>	14078V		<a href="#">25</a>	14153		<a href="#">325</a>	14606		<a href="#">340</a>
13962		<a href="#">141</a>	14079N		<a href="#">25</a>	14154		<a href="#">325</a>	14607		<a href="#">340</a>
13963		<a href="#">141</a>	14079V		<a href="#">25</a>	14155		<a href="#">326</a>	14608		<a href="#">340</a>
13964		<a href="#">141</a>	14080		<a href="#">28</a>	14156		<a href="#">326</a>	14609		<a href="#">340</a>
13965		<a href="#">141</a>	14080V		<a href="#">28</a>	14157		<a href="#">326</a>	14610		<a href="#">340</a>
13966		<a href="#">141</a>	14081		<a href="#">28</a>	14158		<a href="#">326</a>	14611		<a href="#">340</a>
13967		<a href="#">141</a>	14081V		<a href="#">28</a>	14159		<a href="#">326</a>	14612		<a href="#">340</a>
13968		<a href="#">142</a>	14082		<a href="#">27</a>	14160		<a href="#">297</a>	14719		<a href="#">333</a>
13969		<a href="#">142</a>	14083		<a href="#">27</a>	14161		<a href="#">297</a>	14720		<a href="#">333</a>
13970		<a href="#">142</a>	14084		<a href="#">27</a>	14199		<a href="#">307</a>	14721		<a href="#">333</a>
13971		<a href="#">142</a>	14085		<a href="#">27</a>	14200		<a href="#">307</a>	14722		<a href="#">333</a>
13972		<a href="#">142</a>	14087N		<a href="#">24</a>	14201		<a href="#">307</a>	14723		<a href="#">333</a>
13973		<a href="#">142</a>	14087V		<a href="#">24</a>	14202		<a href="#">307</a>	14724		<a href="#">333</a>
13974		<a href="#">142</a>	14088N		<a href="#">24</a>	14203		<a href="#">307</a>	14725		<a href="#">333</a>
13975		<a href="#">142</a>	14088V		<a href="#">24</a>	14204		<a href="#">307</a>	14726		<a href="#">333</a>
13977		<a href="#">143</a>	14090		<a href="#">21</a>	14205		<a href="#">307</a>	14729		<a href="#">333</a>
13978		<a href="#">143</a>	14090V		<a href="#">21</a>	14206		<a href="#">307</a>	14732		<a href="#">332</a>
13979		<a href="#">143</a>	14091		<a href="#">21</a>	14207		<a href="#">307</a>	14733		<a href="#">332</a>
13980		<a href="#">143</a>	14091V		<a href="#">21</a>	14208		<a href="#">307</a>	14734		<a href="#">333</a>
13981		<a href="#">335</a>	14100		<a href="#">329</a>	14220		<a href="#">306</a>	14736		<a href="#">336</a>
13982		<a href="#">151</a>	14101		<a href="#">329</a>	14221		<a href="#">306</a>	14737		<a href="#">333</a>
13983		<a href="#">151</a>	14104		<a href="#">295</a>	14222		<a href="#">306</a>	14738		<a href="#">333</a>
13984		<a href="#">151</a>	14105		<a href="#">295</a>	14230		<a href="#">306</a>	14739		<a href="#">331</a>
13985		<a href="#">153</a>	14106		<a href="#">294</a>	14231		<a href="#">306</a>	14740		<a href="#">331</a>
13986		<a href="#">153</a>	14106G		<a href="#">294</a>	14232		<a href="#">306</a>	14741		<a href="#">331</a>
13987		<a href="#">153</a>	14107		<a href="#">294</a>	14234		<a href="#">306</a>	14742		<a href="#">331</a>
13994		<a href="#">151</a>	14107G		<a href="#">294</a>	14235		<a href="#">306</a>	14743		<a href="#">333</a>
13995		<a href="#">150</a>	14108		<a href="#">22</a>	14236		<a href="#">306</a>	14744		<a href="#">328</a>
13996		<a href="#">150</a>	14109		<a href="#">22</a>	14280		<a href="#">297</a>	14744N		<a href="#">328</a>
13997		<a href="#">150</a>	14110		<a href="#">23</a>	14280G		<a href="#">297</a>	14745		<a href="#">328</a>
13999		<a href="#">251</a>	14110T		<a href="#">23</a>	14280G-SS		<a href="#">297</a>	14746		<a href="#">332</a>
13999V		<a href="#">251</a>	14110TV		<a href="#">23</a>	14280-SS		<a href="#">297</a>	14747		<a href="#">332</a>
14001		<a href="#">337</a>	14110V		<a href="#">23</a>	14281		<a href="#">297</a>	14748		<a href="#">328</a>
14002		<a href="#">337</a>	14111		<a href="#">22</a>	14281G		<a href="#">297</a>	14748N		<a href="#">328</a>
14003		<a href="#">337</a>	14112		<a href="#">294</a>	14281G-SS		<a href="#">297</a>	14749		<a href="#">337</a>
14004		<a href="#">337</a>	14112G		<a href="#">294</a>	14281-SS		<a href="#">297</a>	14750		<a href="#">339</a>
14005		<a href="#">337</a>	14113		<a href="#">294</a>	14290		<a href="#">298</a>	14751		<a href="#">339</a>
14006		<a href="#">337</a>	14113G		<a href="#">294</a>	14300		<a href="#">71</a>	14752		<a href="#">339</a>
14010		<a href="#">60</a>	14114		<a href="#">296</a>	14319		<a href="#">59</a>	14753		<a href="#">337</a>
14011		<a href="#">60</a>	14114G		<a href="#">296</a>	14320		<a href="#">58</a>	14754		<a href="#">339</a>
14012		<a href="#">60</a>	14115		<a href="#">296</a>	14321		<a href="#">58</a>	14755		<a href="#">339</a>
14013		<a href="#">61</a>	14116		<a href="#">296</a>	14322		<a href="#">58</a>	14756		<a href="#">340</a>
14014		<a href="#">61</a>	14117		<a href="#">296</a>	14325		<a href="#">59</a>	14757		<a href="#">340</a>
14015		<a href="#">338</a>	14118		<a href="#">295</a>	14339		<a href="#">57</a>	14758		<a href="#">340</a>
14016		<a href="#">338</a>	14119		<a href="#">295</a>	14340		<a href="#">56</a>	14759		<a href="#">340</a>
14017		<a href="#">337</a>	14120		<a href="#">304</a>	14341		<a href="#">56</a>	14763		<a href="#">339</a>
14018		<a href="#">337</a>	14121		<a href="#">295</a>	14342		<a href="#">56</a>	14764		<a href="#">339</a>
14019		<a href="#">70-338</a>	14122		<a href="#">295</a>	14343		<a href="#">71</a>	14765		<a href="#">339</a>
14020		<a href="#">70-338</a>	14123		<a href="#">295</a>	14344		<a href="#">71</a>	14766		<a href="#">339</a>
14021		<a href="#">70-338</a>	14124		<a href="#">295</a>	14345		<a href="#">57</a>	14767		<a href="#">339</a>
14022		<a href="#">70-338</a>	14125		<a href="#">295</a>	14346		<a href="#">70</a>	14768		<a href="#">339</a>
14040		<a href="#">334</a>	14126		<a href="#">295</a>	14347		<a href="#">29</a>	14769		<a href="#">340</a>
14041		<a href="#">334</a>	14128		<a href="#">295</a>	14348		<a href="#">70</a>	14770		<a href="#">340</a>
14042		<a href="#">334</a>	14129		<a href="#">295</a>	14349		<a href="#">62</a>	14771		<a href="#">340</a>
14043		<a href="#">334</a>	14130		<a href="#">295</a>	14350		<a href="#">62</a>	14772		<a href="#">340</a>
14050		<a href="#">331</a>	14131		<a href="#">295</a>	14351		<a href="#">62</a>	14773		<a href="#">339</a>
14051		<a href="#">331</a>	14132		<a href="#">295</a>	14352		<a href="#">70-337</a>	14774		<a href="#">339</a>

# Index

## LIST OF CODES

Code	Reference	Page	Code	Reference	Page	Code	Reference	Page	Code	Reference	Page
14775		<a href="#">339</a>	14843B		<a href="#">72</a>	16001AS		<a href="#">188</a>	16013V		<a href="#">191</a>
14776		<a href="#">339</a>	14844		<a href="#">72</a>	16001ASS		<a href="#">188</a>	16030		<a href="#">192</a>
14777		<a href="#">339</a>	14844B		<a href="#">72</a>	16001L		<a href="#">188</a>	16030AS		<a href="#">192</a>
14778		<a href="#">339</a>	14845		<a href="#">72</a>	16001LSS		<a href="#">188</a>	16030ASS		<a href="#">192</a>
14779		<a href="#">340</a>	14845B		<a href="#">72</a>	16001LX		<a href="#">187</a>	16030B		<a href="#">192</a>
14780		<a href="#">340</a>	14856		<a href="#">328</a>	16001LXA		<a href="#">187</a>	16030BSS		<a href="#">192</a>
14781		<a href="#">340</a>	14857		<a href="#">328</a>	16001LXAS		<a href="#">187</a>	16030SS		<a href="#">192</a>
14782		<a href="#">340</a>	15055		<a href="#">342</a>	16001LXS		<a href="#">187</a>	16031		<a href="#">192</a>
14783		<a href="#">340</a>	15056		<a href="#">342</a>	16001V		<a href="#">188</a>	16031AS		<a href="#">192</a>
14784		<a href="#">340</a>	15057		<a href="#">342</a>	16001VSS		<a href="#">188</a>	16031ASS		<a href="#">192</a>
14785		<a href="#">340</a>	15058		<a href="#">342</a>	16001VX		<a href="#">187</a>	16031B		<a href="#">192</a>
14786		<a href="#">340</a>	15059		<a href="#">342</a>	16001VXS		<a href="#">187</a>	16031BSS		<a href="#">192</a>
14787		<a href="#">340</a>	15060		<a href="#">342</a>	16002AS		<a href="#">188</a>	16031SS		<a href="#">192</a>
14788		<a href="#">340</a>	15061		<a href="#">342</a>	16002ASS		<a href="#">188</a>	16032		<a href="#">192</a>
14790		<a href="#">340</a>	15062		<a href="#">342</a>	16002L		<a href="#">188</a>	16032AS		<a href="#">192</a>
14791		<a href="#">339</a>	15063		<a href="#">342</a>	16002LSS		<a href="#">188</a>	16032ASS		<a href="#">192</a>
14792		<a href="#">339</a>	15064		<a href="#">342</a>	16002LX		<a href="#">187</a>	16032B		<a href="#">192</a>
14793		<a href="#">339</a>	15065		<a href="#">342</a>	16002LXA		<a href="#">187</a>	16032BSS		<a href="#">192</a>
14794		<a href="#">339</a>	15066		<a href="#">342</a>	16002LXAS		<a href="#">187</a>	16032SS		<a href="#">192</a>
14795		<a href="#">340</a>	15067		<a href="#">342</a>	16002LXS		<a href="#">187</a>	16033		<a href="#">193</a>
14796		<a href="#">340</a>	15068		<a href="#">342</a>	16002V		<a href="#">188</a>	16033AS		<a href="#">193</a>
14797		<a href="#">340</a>	15069		<a href="#">342</a>	16002VSS		<a href="#">188</a>	16033ASS		<a href="#">193</a>
14798		<a href="#">340</a>	15070		<a href="#">342</a>	16002VX		<a href="#">187</a>	16033B		<a href="#">193</a>
14799		<a href="#">339</a>	15071		<a href="#">342</a>	16002VXS		<a href="#">187</a>	16033BSS		<a href="#">193</a>
14800		<a href="#">339</a>	15072		<a href="#">342</a>	16003AS		<a href="#">188</a>	16033SS		<a href="#">193</a>
14801		<a href="#">339</a>	15073		<a href="#">342</a>	16003ASS		<a href="#">188</a>	16034		<a href="#">193</a>
14802		<a href="#">339</a>	15074		<a href="#">342</a>	16003L		<a href="#">188</a>	16034AS		<a href="#">193</a>
14803		<a href="#">339</a>	15075		<a href="#">342</a>	16003LSS		<a href="#">188</a>	16034ASS		<a href="#">193</a>
14804		<a href="#">339</a>	15076		<a href="#">342</a>	16003LX		<a href="#">187</a>	16034B		<a href="#">193</a>
14805		<a href="#">340</a>	15077		<a href="#">342</a>	16003LXA		<a href="#">187</a>	16034BSS		<a href="#">193</a>
14806		<a href="#">340</a>	15078		<a href="#">342</a>	16003LXAS		<a href="#">187</a>	16034SS		<a href="#">193</a>
14807		<a href="#">340</a>	15079		<a href="#">343</a>	16003LXS		<a href="#">187</a>	16035		<a href="#">193</a>
14808		<a href="#">340</a>	15080		<a href="#">343</a>	16003V		<a href="#">188</a>	16035AS		<a href="#">193</a>
14809		<a href="#">340</a>	15081		<a href="#">343</a>	16003VSS		<a href="#">188</a>	16035ASS		<a href="#">193</a>
14810		<a href="#">340</a>	15082		<a href="#">343</a>	16003VX		<a href="#">187</a>	16035B		<a href="#">193</a>
14811		<a href="#">340</a>	15083		<a href="#">343</a>	16003VXS		<a href="#">187</a>	16035BSS		<a href="#">193</a>
14812		<a href="#">340</a>	15084		<a href="#">343</a>	16004AS		<a href="#">189</a>	16035SS		<a href="#">193</a>
14813		<a href="#">340</a>	15085		<a href="#">343</a>	16004ASS		<a href="#">189</a>	16036		<a href="#">194</a>
14815		<a href="#">336</a>	15086		<a href="#">343</a>	16004L		<a href="#">189</a>	16036AS		<a href="#">194</a>
14816		<a href="#">336</a>	15087		<a href="#">343</a>	16004LSS		<a href="#">189</a>	16036B		<a href="#">194</a>
14817		<a href="#">336</a>	15088		<a href="#">343</a>	16004V		<a href="#">189</a>	16037		<a href="#">194</a>
14818		<a href="#">336</a>	15089		<a href="#">343</a>	16004VSS		<a href="#">189</a>	16037AS		<a href="#">194</a>
14819		<a href="#">336</a>	15090		<a href="#">343</a>	16005AS		<a href="#">189</a>	16037B		<a href="#">194</a>
14820		<a href="#">72</a>	15091		<a href="#">343</a>	16005ASS		<a href="#">189</a>	16038		<a href="#">194</a>
14820B		<a href="#">72</a>	15092		<a href="#">343</a>	16005L		<a href="#">189</a>	16038AS		<a href="#">194</a>
14821		<a href="#">336</a>	15093		<a href="#">343</a>	16005LSS		<a href="#">189</a>	16038B		<a href="#">194</a>
14822		<a href="#">340</a>	15094		<a href="#">343</a>	16005V		<a href="#">189</a>	16039		<a href="#">195</a>
14823		<a href="#">340</a>	15095		<a href="#">343</a>	16005VSS		<a href="#">189</a>	16039AS		<a href="#">195</a>
14824		<a href="#">340</a>	15096		<a href="#">343</a>	16006AS		<a href="#">189</a>	16039B		<a href="#">195</a>
14825		<a href="#">340</a>	15097		<a href="#">343</a>	16006ASS		<a href="#">189</a>	16040		<a href="#">195</a>
14826		<a href="#">340</a>	15098		<a href="#">343</a>	16006L		<a href="#">189</a>	16040AS		<a href="#">195</a>
14827		<a href="#">340</a>	15099		<a href="#">343</a>	16006LSS		<a href="#">189</a>	16040B		<a href="#">195</a>
14828		<a href="#">340</a>	15100		<a href="#">343</a>	16006V		<a href="#">189</a>	16041		<a href="#">195</a>
14829		<a href="#">340</a>	15101		<a href="#">343</a>	16006VSS		<a href="#">189</a>	16041AS		<a href="#">195</a>
14830		<a href="#">340</a>	15102		<a href="#">343</a>	16007AS		<a href="#">190</a>	16041B		<a href="#">195</a>
14831		<a href="#">340</a>	15204		<a href="#">344</a>	16007L		<a href="#">190</a>	16050		<a href="#">192</a>
14832		<a href="#">340</a>	15205		<a href="#">344</a>	16007V		<a href="#">190</a>	16050AS		<a href="#">192</a>
14833		<a href="#">72</a>	15206		<a href="#">344</a>	16008AS		<a href="#">190</a>	16050ASS		<a href="#">192</a>
14833B		<a href="#">72</a>	15207		<a href="#">344</a>	16008L		<a href="#">190</a>	16050B		<a href="#">192</a>
14834		<a href="#">72</a>	15499		<a href="#">341</a>	16008V		<a href="#">190</a>	16050BSS		<a href="#">192</a>
14834B		<a href="#">72</a>	15500		<a href="#">341</a>	16009AS		<a href="#">190</a>	16050SS		<a href="#">192</a>
14835		<a href="#">339</a>	15501		<a href="#">341</a>	16009L		<a href="#">190</a>	16051		<a href="#">192</a>
14836		<a href="#">339</a>	15502		<a href="#">341</a>	16009V		<a href="#">190</a>	16051AS		<a href="#">192</a>
14837		<a href="#">339</a>	15508		<a href="#">344</a>	16011AS		<a href="#">191</a>	16051ASS		<a href="#">192</a>
14838		<a href="#">72</a>	15509		<a href="#">344</a>	16011L		<a href="#">191</a>	16051B		<a href="#">192</a>
14838B		<a href="#">72</a>	15512		<a href="#">344</a>	16011V		<a href="#">191</a>	16051BSS		<a href="#">192</a>
14841		<a href="#">72</a>	15513		<a href="#">344</a>	16012AS		<a href="#">191</a>	16051SS		<a href="#">192</a>
14841B		<a href="#">72</a>	15704		<a href="#">344</a>	16012L		<a href="#">191</a>	16052		<a href="#">192</a>
14842		<a href="#">72</a>	15705		<a href="#">344</a>	16012V		<a href="#">191</a>	16052AS		<a href="#">192</a>
14842B		<a href="#">72</a>	15817		<a href="#">344</a>	16013AS		<a href="#">191</a>	16052ASS		<a href="#">192</a>
14843		<a href="#">72</a>	15825		<a href="#">344</a>	16013L		<a href="#">191</a>	16052B		<a href="#">192</a>

# Index

## LIST OF CODES

Code	Reference	Page	Code	Reference	Page	Code	Reference	Page	Code	Reference	Page
16052BSS		<a href="#">192</a>	16155B		<a href="#">183</a>	16201ASS		<a href="#">186</a>	16451AS		<a href="#">185</a>
16052SS		<a href="#">192</a>	16155SS		<a href="#">183</a>	16201B		<a href="#">186</a>	16451ASS		<a href="#">185</a>
16053		<a href="#">193</a>	16155SSB		<a href="#">183</a>	16201SS		<a href="#">186</a>	16451B		<a href="#">185</a>
16053AS		<a href="#">193</a>	16156AS		<a href="#">184</a>	16201SSB		<a href="#">186</a>	16451SS		<a href="#">185</a>
16053ASS		<a href="#">193</a>	16156ASS		<a href="#">184</a>	16202		<a href="#">186</a>	16451SSB		<a href="#">185</a>
16053B		<a href="#">193</a>	16156SS		<a href="#">184</a>	16202AS		<a href="#">186</a>	16452		<a href="#">185</a>
16053BSS		<a href="#">193</a>	16156SSB		<a href="#">184</a>	16202ASS		<a href="#">186</a>	16452AS		<a href="#">185</a>
16053SS		<a href="#">193</a>	16157AS		<a href="#">184</a>	16202B		<a href="#">186</a>	16452ASS		<a href="#">185</a>
16054		<a href="#">193</a>	16157ASS		<a href="#">184</a>	16202SS		<a href="#">186</a>	16452B		<a href="#">185</a>
16054AS		<a href="#">193</a>	16157SS		<a href="#">184</a>	16202SSB		<a href="#">186</a>	16452SS		<a href="#">185</a>
16054ASS		<a href="#">193</a>	16157SSB		<a href="#">184</a>	16203		<a href="#">186</a>	16452SSB		<a href="#">185</a>
16054B		<a href="#">193</a>	16158AS		<a href="#">184</a>	16203AS		<a href="#">186</a>	16453ASS		<a href="#">185</a>
16054BSS		<a href="#">193</a>	16158ASS		<a href="#">184</a>	16203ASS		<a href="#">186</a>	16453SS		<a href="#">185</a>
16054SS		<a href="#">193</a>	16158SS		<a href="#">184</a>	16203B		<a href="#">186</a>	16453SSB		<a href="#">185</a>
16055		<a href="#">193</a>	16158SSB		<a href="#">184</a>	16203SS		<a href="#">186</a>	16456		<a href="#">200</a>
16055AS		<a href="#">193</a>	16160		<a href="#">182</a>	16203SSB		<a href="#">186</a>	16457		<a href="#">200</a>
16055ASS		<a href="#">193</a>	16160AS		<a href="#">182</a>	16204AS		<a href="#">186</a>	16500		<a href="#">170</a>
16055B		<a href="#">193</a>	16160ASS		<a href="#">182</a>	16204ASS		<a href="#">186</a>	16500K		<a href="#">170</a>
16055BSS		<a href="#">193</a>	16160B		<a href="#">182</a>	16204SS		<a href="#">186</a>	16505		<a href="#">170</a>
16055SS		<a href="#">193</a>	16160SS		<a href="#">182</a>	16204SSB		<a href="#">186</a>	16505K		<a href="#">170</a>
16056		<a href="#">194</a>	16160SSB		<a href="#">182</a>	16205AS		<a href="#">186</a>	16550		<a href="#">170</a>
16056AS		<a href="#">194</a>	16161		<a href="#">182</a>	16205ASS		<a href="#">186</a>	16550K		<a href="#">170</a>
16056B		<a href="#">194</a>	16161AS		<a href="#">182</a>	16205SS		<a href="#">186</a>	16551		<a href="#">170</a>
16057		<a href="#">194</a>	16161ASS		<a href="#">182</a>	16205SSB		<a href="#">186</a>	16551K		<a href="#">170</a>
16057AS		<a href="#">194</a>	16161B		<a href="#">182</a>	16300		<a href="#">172</a>	16555		<a href="#">170</a>
16057B		<a href="#">194</a>	16161SS		<a href="#">182</a>	16300AS		<a href="#">172</a>	16555K		<a href="#">170</a>
16058		<a href="#">194</a>	16161SSB		<a href="#">182</a>	16300V		<a href="#">172</a>	16600		<a href="#">166</a>
16058AS		<a href="#">194</a>	16162		<a href="#">182</a>	16301		<a href="#">172</a>	16600K		<a href="#">166</a>
16058B		<a href="#">194</a>	16162AS		<a href="#">182</a>	16301AS		<a href="#">172</a>	16600V		<a href="#">166</a>
16059		<a href="#">195</a>	16162ASS		<a href="#">182</a>	16301V		<a href="#">172</a>	16600W		<a href="#">166</a>
16059AS		<a href="#">195</a>	16162B		<a href="#">182</a>	16302		<a href="#">172</a>	16605		<a href="#">167</a>
16059B		<a href="#">195</a>	16162SS		<a href="#">182</a>	16302AS		<a href="#">172</a>	16605K		<a href="#">167</a>
16060		<a href="#">195</a>	16162SSB		<a href="#">182</a>	16302V		<a href="#">172</a>	16605V		<a href="#">167</a>
16060AS		<a href="#">195</a>	16163		<a href="#">183</a>	16303		<a href="#">172</a>	16605W		<a href="#">167</a>
16060B		<a href="#">195</a>	16163AS		<a href="#">183</a>	16303AS		<a href="#">172</a>	16610		<a href="#">166</a>
16061		<a href="#">195</a>	16163ASS		<a href="#">183</a>	16303V		<a href="#">172</a>	16610K		<a href="#">166</a>
16061AS		<a href="#">195</a>	16163B		<a href="#">183</a>	16305		<a href="#">171</a>	16610V		<a href="#">166</a>
16061B		<a href="#">195</a>	16163SS		<a href="#">183</a>	16305AS		<a href="#">171</a>	16610W		<a href="#">166</a>
16150		<a href="#">182</a>	16163SSB		<a href="#">183</a>	16305ASS		<a href="#">171</a>	16615		<a href="#">167</a>
16150AS		<a href="#">182</a>	16164		<a href="#">183</a>	16305SS		<a href="#">171</a>	16615K		<a href="#">167</a>
16150ASS		<a href="#">182</a>	16164AS		<a href="#">183</a>	16305SSV		<a href="#">171</a>	16615V		<a href="#">167</a>
16150B		<a href="#">182</a>	16164ASS		<a href="#">183</a>	16305V		<a href="#">171</a>	16615W		<a href="#">167</a>
16150SS		<a href="#">182</a>	16164B		<a href="#">183</a>	16351		<a href="#">181</a>	16650		<a href="#">166</a>
16150SSB		<a href="#">182</a>	16164SS		<a href="#">183</a>	16351AS		<a href="#">181</a>	16650K		<a href="#">166</a>
16151		<a href="#">182</a>	16164SSB		<a href="#">183</a>	16351ASS		<a href="#">181</a>	16650V		<a href="#">166</a>
16151AS		<a href="#">182</a>	16165		<a href="#">183</a>	16351B		<a href="#">181</a>	16650W		<a href="#">166</a>
16151ASS		<a href="#">182</a>	16165AS		<a href="#">183</a>	16351SS		<a href="#">181</a>	16651		<a href="#">167</a>
16151B		<a href="#">182</a>	16165ASS		<a href="#">183</a>	16351SSB		<a href="#">181</a>	16651K		<a href="#">167</a>
16151SS		<a href="#">182</a>	16165B		<a href="#">183</a>	16352		<a href="#">181</a>	16651V		<a href="#">167</a>
16151SSB		<a href="#">182</a>	16165SS		<a href="#">183</a>	16352AS		<a href="#">181</a>	16651W		<a href="#">167</a>
16152		<a href="#">182</a>	16165SSB		<a href="#">183</a>	16352ASS		<a href="#">181</a>	16655		<a href="#">166</a>
16152AS		<a href="#">182</a>	16166AS		<a href="#">184</a>	16352B		<a href="#">181</a>	16655K		<a href="#">166</a>
16152ASS		<a href="#">182</a>	16166ASS		<a href="#">184</a>	16352SS		<a href="#">181</a>	16655V		<a href="#">166</a>
16152B		<a href="#">182</a>	16166SS		<a href="#">184</a>	16352SSB		<a href="#">181</a>	16655W		<a href="#">166</a>
16152SS		<a href="#">182</a>	16166SSB		<a href="#">184</a>	16353ASS		<a href="#">181</a>	16656		<a href="#">167</a>
16152SSB		<a href="#">182</a>	16167AS		<a href="#">184</a>	16353SS		<a href="#">181</a>	16656K		<a href="#">167</a>
16153		<a href="#">183</a>	16167ASS		<a href="#">184</a>	16353SSB		<a href="#">181</a>	16656V		<a href="#">167</a>
16153AS		<a href="#">183</a>	16167SS		<a href="#">184</a>	16400AS		<a href="#">191</a>	16656W		<a href="#">167</a>
16153ASS		<a href="#">183</a>	16167SSB		<a href="#">184</a>	16400L		<a href="#">191</a>	16660		<a href="#">166</a>
16153B		<a href="#">183</a>	16168AS		<a href="#">184</a>	16400V		<a href="#">191</a>	16660K		<a href="#">166</a>
16153SS		<a href="#">183</a>	16168ASS		<a href="#">184</a>	16401AS		<a href="#">191</a>	16660V		<a href="#">166</a>
16153SSB		<a href="#">183</a>	16168SS		<a href="#">184</a>	16401L		<a href="#">191</a>	16660W		<a href="#">166</a>
16154		<a href="#">183</a>	16168SSB		<a href="#">184</a>	16401V		<a href="#">191</a>	16665		<a href="#">167</a>
16154AS		<a href="#">183</a>	16200		<a href="#">186</a>	16402AS		<a href="#">191</a>	16665K		<a href="#">167</a>
16154ASS		<a href="#">183</a>	16200AS		<a href="#">186</a>	16402L		<a href="#">191</a>	16665V		<a href="#">167</a>
16154B		<a href="#">183</a>	16200ASS		<a href="#">186</a>	16402V		<a href="#">191</a>	16665W		<a href="#">167</a>
16154SS		<a href="#">183</a>	16200B		<a href="#">186</a>	16449		<a href="#">115-200</a>	16683AS		<a href="#">189</a>
16154SSB		<a href="#">183</a>	16200SS		<a href="#">186</a>	16449L		<a href="#">115</a>	16683ASS		<a href="#">189</a>
16155		<a href="#">183</a>	16200SSB		<a href="#">186</a>	16450		<a href="#">115-200</a>	16683L		<a href="#">189</a>
16155AS		<a href="#">183</a>	16201		<a href="#">186</a>	16450L		<a href="#">115</a>	16683LSS		<a href="#">189</a>
16155ASS		<a href="#">183</a>	16201AS		<a href="#">186</a>	16451		<a href="#">185</a>	16683V		<a href="#">189</a>

# Index

## LIST OF CODES

Code	Reference	Page	Code	Reference	Page	Code	Reference	Page	Code	Reference	Page
16683VSS		<a href="#">189</a>	16770S-SS		<a href="#">317</a>	16778D		<a href="#">316</a>	16923		<a href="#">162-164</a>
16684AS		<a href="#">189</a>	16770S-SSA		<a href="#">317</a>	16778D-SR		<a href="#">316</a>	16923K		<a href="#">162-164</a>
16684ASS		<a href="#">189</a>	16770W		<a href="#">317</a>	16778D-SS		<a href="#">316</a>	16923V		<a href="#">162-164</a>
16684L		<a href="#">189</a>	16770W-SR		<a href="#">317</a>	16778D-SSA		<a href="#">316</a>	16923W		<a href="#">162-164</a>
16684LSS		<a href="#">189</a>	16770W-SS		<a href="#">317</a>	16778S		<a href="#">316</a>	16924		<a href="#">162-164</a>
16684V		<a href="#">189</a>	16770W-SSA		<a href="#">317</a>	16778-SR		<a href="#">316</a>	16924K		<a href="#">162-164</a>
16684VSS		<a href="#">189</a>	16771		<a href="#">317</a>	16778-SS		<a href="#">316</a>	16924V		<a href="#">162-164</a>
16685AS		<a href="#">189</a>	16771D		<a href="#">317</a>	16778-SSA		<a href="#">316</a>	16924W		<a href="#">162-164</a>
16685ASS		<a href="#">189</a>	16771D-SR		<a href="#">317</a>	16778-S-SR		<a href="#">316</a>	16925		<a href="#">162-164</a>
16685L		<a href="#">189</a>	16771D-SS		<a href="#">317</a>	16778S-SS		<a href="#">316</a>	16925K		<a href="#">162-164</a>
16685LSS		<a href="#">189</a>	16771D-SSA		<a href="#">317</a>	16778S-SSA		<a href="#">316</a>	16925V		<a href="#">162-164</a>
16685V		<a href="#">189</a>	16771S		<a href="#">317</a>	16778W		<a href="#">316</a>	16925W		<a href="#">162-164</a>
16685VSS		<a href="#">189</a>	16771-SR		<a href="#">317</a>	16778W-SR		<a href="#">316</a>	16926		<a href="#">162-164</a>
16686AS		<a href="#">188</a>	16771-SS		<a href="#">317</a>	16778W-SS		<a href="#">316</a>	16926K		<a href="#">162-164</a>
16686ASS		<a href="#">188</a>	16771-SSA		<a href="#">317</a>	16778W-SSA		<a href="#">316</a>	16926V		<a href="#">162-164</a>
16686L		<a href="#">188</a>	16771S-SR		<a href="#">317</a>	16800		<a href="#">168</a>	16926W		<a href="#">162-164</a>
16686LSS		<a href="#">188</a>	16771S-SS		<a href="#">317</a>	16800K		<a href="#">168</a>	16927V		<a href="#">163-164</a>
16686LX		<a href="#">187</a>	16771S-SSA		<a href="#">317</a>	16800V		<a href="#">168</a>	16928V		<a href="#">163-164</a>
16686LXA		<a href="#">187</a>	16771W		<a href="#">317</a>	16800W		<a href="#">168</a>	17363		<a href="#">346</a>
16686LXAS		<a href="#">187</a>	16771W-SR		<a href="#">317</a>	16801		<a href="#">168</a>	17367		<a href="#">346</a>
16686LXS		<a href="#">187</a>	16771W-SS		<a href="#">317</a>	16801K		<a href="#">168</a>	17456		<a href="#">346</a>
16686V		<a href="#">188</a>	16771W-SSA		<a href="#">317</a>	16801V		<a href="#">168</a>	17458		<a href="#">346</a>
16686VSS		<a href="#">188</a>	16772		<a href="#">318</a>	16801W		<a href="#">168</a>	17514		<a href="#">345</a>
16686VX		<a href="#">187</a>	16772D		<a href="#">318</a>	16805		<a href="#">169</a>	17515		<a href="#">345</a>
16686VXS		<a href="#">187</a>	16772D-SR		<a href="#">318</a>	16805K		<a href="#">169</a>	17517		<a href="#">345</a>
16687AS		<a href="#">188</a>	16772D-SS		<a href="#">318</a>	16805V		<a href="#">169</a>	17519		<a href="#">345</a>
16687ASS		<a href="#">188</a>	16772D-SSA		<a href="#">318</a>	16805W		<a href="#">169</a>	17520		<a href="#">346</a>
16687L		<a href="#">188</a>	16772S		<a href="#">318</a>	16806		<a href="#">169</a>	17523		<a href="#">345</a>
16687LSS		<a href="#">188</a>	16772-SR		<a href="#">318</a>	16806K		<a href="#">169</a>	17524		<a href="#">345</a>
16687LX		<a href="#">187</a>	16772-SS		<a href="#">318</a>	16806V		<a href="#">169</a>	17525		<a href="#">345</a>
16687LXA		<a href="#">187</a>	16772-SSA		<a href="#">318</a>	16806W		<a href="#">169</a>	17528		<a href="#">346</a>
16687LXAS		<a href="#">187</a>	16772S-SR		<a href="#">318</a>	16820		<a href="#">168</a>	17540		<a href="#">345</a>
16687LXS		<a href="#">187</a>	16772S-SS		<a href="#">318</a>	16820K		<a href="#">168</a>	17541		<a href="#">345</a>
16687V		<a href="#">188</a>	16772S-SSA		<a href="#">318</a>	16820V		<a href="#">168</a>	17549		<a href="#">345</a>
16687VSS		<a href="#">188</a>	16772W		<a href="#">318</a>	16820W		<a href="#">168</a>	17550		<a href="#">345</a>
16687VX		<a href="#">187</a>	16772W-SR		<a href="#">318</a>	16821		<a href="#">169</a>	17560		<a href="#">345</a>
16687VXS		<a href="#">187</a>	16772W-SS		<a href="#">318</a>	16821K		<a href="#">169</a>	17561		<a href="#">345</a>
16688AS		<a href="#">188</a>	16772W-SSA		<a href="#">318</a>	16821V		<a href="#">169</a>	17570		<a href="#">345</a>
16688ASS		<a href="#">188</a>	16773		<a href="#">318</a>	16821W		<a href="#">169</a>	17571		<a href="#">345</a>
16688L		<a href="#">188</a>	16773D		<a href="#">318</a>	16822		<a href="#">168</a>	17629		<a href="#">346</a>
16688LSS		<a href="#">188</a>	16773D-SR		<a href="#">318</a>	16822K		<a href="#">168</a>	17630		<a href="#">346</a>
16688LX		<a href="#">187</a>	16773D-SS		<a href="#">318</a>	16822V		<a href="#">168</a>	17645		<a href="#">346</a>
16688LXA		<a href="#">187</a>	16773D-SSA		<a href="#">318</a>	16822W		<a href="#">168</a>	17646		<a href="#">346</a>
16688LXAS		<a href="#">187</a>	16773S		<a href="#">318</a>	16823		<a href="#">169</a>	17710		<a href="#">346</a>
16688LXS		<a href="#">187</a>	16773-SR		<a href="#">318</a>	16823K		<a href="#">169</a>	17711		<a href="#">346</a>
16688V		<a href="#">188</a>	16773-SS		<a href="#">318</a>	16823V		<a href="#">169</a>	17712		<a href="#">346</a>
16688VSS		<a href="#">188</a>	16773-SSA		<a href="#">318</a>	16823W		<a href="#">169</a>	17713		<a href="#">346</a>
16688VX		<a href="#">187</a>	16773S-SR		<a href="#">318</a>	16825		<a href="#">168</a>	17714		<a href="#">345</a>
16688VXS		<a href="#">187</a>	16773S-SS		<a href="#">318</a>	16825K		<a href="#">168</a>	17715		<a href="#">345</a>
16689AS		<a href="#">190</a>	16773S-SSA		<a href="#">318</a>	16825V		<a href="#">168</a>	17717		<a href="#">346</a>
16689L		<a href="#">190</a>	16773W		<a href="#">318</a>	16825W		<a href="#">168</a>	17718		<a href="#">346</a>
16689V		<a href="#">190</a>	16773W-SR		<a href="#">318</a>	16826		<a href="#">169</a>	17722		<a href="#">345</a>
16690AS		<a href="#">190</a>	16773W-SS		<a href="#">318</a>	16826K		<a href="#">169</a>	17766		<a href="#">345</a>
16690V		<a href="#">190</a>	16773W-SSA		<a href="#">318</a>	16826V		<a href="#">169</a>	17767		<a href="#">345</a>
16690L		<a href="#">190</a>	16777		<a href="#">316</a>	16826W		<a href="#">169</a>	17768		<a href="#">345</a>
16691AS		<a href="#">190</a>	16777D		<a href="#">316</a>	16827		<a href="#">168</a>	17769		<a href="#">345</a>
16691L		<a href="#">190</a>	16777D-SR		<a href="#">316</a>	16827K		<a href="#">168</a>	17782		<a href="#">346</a>
16691V		<a href="#">190</a>	16777D-SS		<a href="#">316</a>	16827V		<a href="#">168</a>	17783		<a href="#">346</a>
16712		<a href="#">175</a>	16777D-SSA		<a href="#">316</a>	16827W		<a href="#">168</a>	17784		<a href="#">346</a>
16713		<a href="#">175</a>	16777S		<a href="#">316</a>	16828		<a href="#">169</a>	17785		<a href="#">346</a>
16714		<a href="#">175</a>	16777-SR		<a href="#">316</a>	16828K		<a href="#">169</a>	18333		<a href="#">152</a>
16770		<a href="#">317</a>	16777-SS		<a href="#">316</a>	16828V		<a href="#">169</a>	18334		<a href="#">154</a>
16770D		<a href="#">317</a>	16777-SSA		<a href="#">316</a>	16828W		<a href="#">169</a>	19001N		<a href="#">8</a>
16770D-SR		<a href="#">317</a>	16777S-SR		<a href="#">316</a>	16921		<a href="#">162-164</a>	19001V		<a href="#">8</a>
16770D-SS		<a href="#">317</a>	16777S-SS		<a href="#">316</a>	16921K		<a href="#">162-164</a>	19001NS		<a href="#">8</a>
16770D-SSA		<a href="#">317</a>	16777S-SSA		<a href="#">316</a>	16921V		<a href="#">162-164</a>	19002N		<a href="#">14</a>
16770S		<a href="#">317</a>	16777W		<a href="#">316</a>	16921W		<a href="#">162-164</a>	19002V		<a href="#">14</a>
16770-SR		<a href="#">317</a>	16777W-SR		<a href="#">316</a>	16922		<a href="#">162-164</a>	19003N		<a href="#">9</a>
16770-SS		<a href="#">317</a>	16777W-SS		<a href="#">316</a>	16922K		<a href="#">162-164</a>	19003NS		<a href="#">9</a>
16770-SSA		<a href="#">317</a>	16777W-SSA		<a href="#">316</a>	16922V		<a href="#">162-164</a>	19003V		<a href="#">9</a>
16770S-SR		<a href="#">317</a>	16778		<a href="#">316</a>	16922W		<a href="#">162-164</a>	19004N		<a href="#">8</a>

# Index

## LIST OF CODES

Code	Reference	Page	Code	Reference	Page	Code	Reference	Page	Code	Reference	Page
19004V		<a href="#">8</a>	19032ASL	VG-SST-1.00-SD-6M	<a href="#">98</a>	19058L		<a href="#">97</a>	19072BC		<a href="#">17</a>
19005N		<a href="#">8</a>	19032L		<a href="#">98</a>	19059		<a href="#">99</a>	19072C		<a href="#">17</a>
19005V		<a href="#">8</a>	19033		<a href="#">98</a>	19059L		<a href="#">99</a>	19073		<a href="#">17</a>
19005NS		<a href="#">8</a>	19033L		<a href="#">98</a>	19060		<a href="#">99</a>	19073AS		<a href="#">17</a>
19005N-SP		<a href="#">9</a>	19034		<a href="#">98</a>	19060AS	VG-SST-1.60-SD-3M	<a href="#">99</a>	19073ASC		<a href="#">17</a>
19005V-SP		<a href="#">9</a>	19034AS	VG-SST-1.25-SD-3M	<a href="#">98</a>	19060ASL	VG-SST-1.60-SD-6M	<a href="#">99</a>	19073C		<a href="#">17</a>
19006N		<a href="#">15</a>	19034ASL	VG-SST-1.25-SD-6M	<a href="#">98</a>	19060L		<a href="#">99</a>	19075N		<a href="#">14</a>
19006V		<a href="#">15</a>	19034L		<a href="#">98</a>	19061		<a href="#">121</a>	19075V		<a href="#">14</a>
19006NL		<a href="#">15</a>	19035		<a href="#">115</a>	19061B		<a href="#">121</a>	19076N		<a href="#">15</a>
19006VN		<a href="#">15</a>	19035L		<a href="#">115</a>	19062		<a href="#">96</a>	19076V		<a href="#">15</a>
19007N		<a href="#">9</a>	19036		<a href="#">115</a>	19062L		<a href="#">96</a>	19077		<a href="#">35-122</a>
19007V		<a href="#">9</a>	19036L		<a href="#">115</a>	19063		<a href="#">95</a>	19077L		<a href="#">35-122</a>
19007NS		<a href="#">9</a>	19037		<a href="#">123</a>	19063AS		<a href="#">18-116</a>	19078		<a href="#">122</a>
19008N		<a href="#">16</a>	19038		<a href="#">99</a>	19063ASC		<a href="#">18-116</a>	19078L		<a href="#">122</a>
19008V		<a href="#">16</a>	19038L		<a href="#">99</a>	19063B		<a href="#">18-116</a>	19079		<a href="#">35-122-200</a>
19009N		<a href="#">16-65</a>	19039		<a href="#">99</a>	19063BC		<a href="#">18-116</a>	19079L		<a href="#">35-122-200</a>
19009V		<a href="#">16-65</a>	19039AS	VG-SST-1.70-SD-3M	<a href="#">99</a>	19063KAS		<a href="#">19-116</a>	19080N		<a href="#">17-119</a>
19010N		<a href="#">16</a>	19039ASL	VG-SST-1.70-SD-6M	<a href="#">99</a>	19063KASC		<a href="#">19-116</a>	19080NL		<a href="#">17-119</a>
19010V		<a href="#">16</a>	19039L		<a href="#">99</a>	19063KB		<a href="#">19-116</a>	19080V		<a href="#">17-119</a>
19011N		<a href="#">16</a>	19040		<a href="#">101</a>	19063KBC		<a href="#">19-116</a>	19080VL		<a href="#">17-119</a>
19011V		<a href="#">16</a>	19040L		<a href="#">101</a>	19063KN		<a href="#">19-116</a>	19081N		<a href="#">17-119</a>
19012N		<a href="#">16</a>	19041		<a href="#">101</a>	19063KNC		<a href="#">19-116</a>	19081NL		<a href="#">17-119</a>
19012V		<a href="#">16</a>	19041L		<a href="#">101</a>	19063KV		<a href="#">19-116</a>	19081V		<a href="#">17-119</a>
19013N		<a href="#">16</a>	19042		<a href="#">96</a>	19063KVC		<a href="#">19-116</a>	19081VL		<a href="#">17-119</a>
19013V		<a href="#">16</a>	19042L		<a href="#">96</a>	19063L		<a href="#">95</a>	19082		<a href="#">118</a>
19014N		<a href="#">16</a>	19043		<a href="#">96</a>	19063N		<a href="#">18-116</a>	19082B		<a href="#">118</a>
19014V		<a href="#">16</a>	19043L		<a href="#">96</a>	19063NC		<a href="#">18-116</a>	19082BL		<a href="#">118</a>
19014SN		<a href="#">16</a>	19044		<a href="#">123</a>	19063V		<a href="#">18-116</a>	19082L		<a href="#">118</a>
19014SV		<a href="#">16</a>	19044SB		<a href="#">123</a>	19063VC		<a href="#">18-116</a>	19082V		<a href="#">118</a>
19015		<a href="#">77</a>	19045N		<a href="#">14</a>	19063W		<a href="#">95</a>	19082VL		<a href="#">118</a>
19016		<a href="#">77</a>	19045V		<a href="#">14</a>	19063WL		<a href="#">95</a>	19083		<a href="#">115</a>
19017		<a href="#">76</a>	19045NS		<a href="#">14</a>	19064AS		<a href="#">18</a>	19083L		<a href="#">115</a>
19018		<a href="#">76</a>	19046		<a href="#">115</a>	19064ASC		<a href="#">18</a>	19084		<a href="#">115</a>
19019		<a href="#">94</a>	19046L		<a href="#">115</a>	19064B		<a href="#">18</a>	19084L		<a href="#">115</a>
19019L		<a href="#">94</a>	19047		<a href="#">115</a>	19064BC		<a href="#">18</a>	19085N		<a href="#">119</a>
19019V		<a href="#">94</a>	19047L		<a href="#">115</a>	19064KAS		<a href="#">19</a>	19085V		<a href="#">119</a>
19019VL		<a href="#">94</a>	19048		<a href="#">18-116</a>	19064KASC		<a href="#">19</a>	19086N		<a href="#">119</a>
19020		<a href="#">94</a>	19048C		<a href="#">18-116</a>	19064KB		<a href="#">19</a>	19086V		<a href="#">119</a>
19020AS	VG-SSR-SD-3M	<a href="#">94</a>	19048K		<a href="#">19-116</a>	19064KBC		<a href="#">19</a>	19087N		<a href="#">119</a>
19020ASL	VG-SSR-SD-6M	<a href="#">94</a>	19048KC		<a href="#">19-116</a>	19064KN		<a href="#">19</a>	19087V		<a href="#">119</a>
19020L		<a href="#">94</a>	19049		<a href="#">29</a>	19064KNC		<a href="#">19</a>	19088N		<a href="#">119</a>
19021		<a href="#">94</a>	19050		<a href="#">118</a>	19064KV		<a href="#">19</a>	19088V		<a href="#">119</a>
19021L		<a href="#">94</a>	19050A		<a href="#">118</a>	19064KVC		<a href="#">19</a>	19089N		<a href="#">119</a>
19021V		<a href="#">94</a>	19050AL		<a href="#">118</a>	19064N		<a href="#">18</a>	19089V		<a href="#">119</a>
19021VL		<a href="#">94</a>	19050L		<a href="#">118</a>	19064NC		<a href="#">18</a>	19090		<a href="#">120</a>
19022		<a href="#">94</a>	19050V		<a href="#">118</a>	19064V		<a href="#">18</a>	19090V		<a href="#">120</a>
19022L		<a href="#">94</a>	19050VL		<a href="#">118</a>	19064VC		<a href="#">18</a>	19091N		<a href="#">10</a>
19023		<a href="#">94</a>	19051		<a href="#">120</a>	19065		<a href="#">95</a>	19091V		<a href="#">10</a>
19023L		<a href="#">94</a>	19051V		<a href="#">120</a>	19065L		<a href="#">95</a>	19092N		<a href="#">119</a>
19024		<a href="#">94</a>	19052N		<a href="#">119</a>	19066		<a href="#">95</a>	19092NL		<a href="#">119</a>
19024AS	VG-SSM-SD-3M	<a href="#">94</a>	19052NL		<a href="#">119</a>	19066L		<a href="#">95</a>	19092V		<a href="#">119</a>
19024ASL	VG-SSM-SD-6M	<a href="#">94</a>	19052V		<a href="#">119</a>	19067N		<a href="#">16-65</a>	19092VL		<a href="#">119</a>
19024L		<a href="#">94</a>	19052VL		<a href="#">119</a>	19067V		<a href="#">16-65</a>	19093B		<a href="#">16</a>
19025		<a href="#">94</a>	19052NS		<a href="#">119</a>	19067NS		<a href="#">16</a>	19093N		<a href="#">16</a>
19025L		<a href="#">94</a>	19053N		<a href="#">17-119</a>	19068		<a href="#">110</a>	19093V		<a href="#">16</a>
19026		<a href="#">94</a>	19053NL		<a href="#">17-119</a>	19068N		<a href="#">110</a>	19094		<a href="#">109-110-111</a>
19026L		<a href="#">94</a>	19053V		<a href="#">17-119</a>	19068NA		<a href="#">110</a>	19094L		<a href="#">109-110</a>
19027		<a href="#">95</a>	19053VL		<a href="#">17-119</a>	19068P		<a href="#">110</a>	19095		<a href="#">200</a>
19027L		<a href="#">95</a>	19054N		<a href="#">119</a>	19068W		<a href="#">110</a>	19095L		<a href="#">200</a>
19028		<a href="#">95</a>	19054NL		<a href="#">119</a>	19070		<a href="#">17-116-117</a>	19096		<a href="#">200</a>
19028AS	VG-SSF-SD-3M	<a href="#">95</a>	19054V		<a href="#">119</a>	19070B		<a href="#">17-116-117</a>	19096L		<a href="#">200</a>
19028ASL	VG-SSF-SD-6M	<a href="#">95</a>	19054VL		<a href="#">119</a>	19070BC		<a href="#">17-116-117</a>	19097		<a href="#">26-117</a>
19028L		<a href="#">95</a>	19055		<a href="#">121</a>	19070C		<a href="#">17-116-117</a>	19097L		<a href="#">26-117</a>
19029		<a href="#">95</a>	19055B		<a href="#">121</a>	19070NS		<a href="#">17</a>	19098		<a href="#">118</a>
19029L		<a href="#">95</a>	19056		<a href="#">121</a>	19071		<a href="#">17-116-117</a>	19098AS		<a href="#">26-117</a>
19030		<a href="#">95</a>	19056B		<a href="#">121</a>	19071AS		<a href="#">17-116-117</a>	19098ASL		<a href="#">26-117</a>
19030L		<a href="#">95</a>	19057		<a href="#">97</a>	19071ASC		<a href="#">17-116-117</a>	19098B		<a href="#">26-117</a>
19031		<a href="#">98</a>	19057L		<a href="#">97</a>	19071C		<a href="#">17-116-117</a>	19098BL		<a href="#">26-117</a>
19031L		<a href="#">98</a>	19058		<a href="#">97</a>	19071NS		<a href="#">17-116-117</a>	19098L		<a href="#">118</a>
19032		<a href="#">98</a>	19058AS	VG-SST-75-SD-3M	<a href="#">97</a>	19072		<a href="#">17</a>	19098N		<a href="#">26-117</a>
19032AS	VG-SST-1.00-SD-3M	<a href="#">98</a>	19058ASL	VG-SST-75-SD-6M	<a href="#">97</a>	19072B		<a href="#">17</a>	19098NL		<a href="#">26-117</a>

# Index

## LIST OF CODES

Code	Reference	Page	Code	Reference	Page	Code	Reference	Page	Code	Reference	Page
19098V		<a href="#">26-117</a>	19158		<a href="#">76</a>	19229		<a href="#">80</a>	19301		<a href="#">77</a>
19098VL		<a href="#">26-117</a>	19159		<a href="#">76</a>	19230		<a href="#">80</a>	19302		<a href="#">77</a>
19099		<a href="#">97</a>	19160		<a href="#">76</a>	19231		<a href="#">80</a>	19303		<a href="#">77</a>
19099L		<a href="#">97</a>	19161		<a href="#">76</a>	19232		<a href="#">80</a>	19304		<a href="#">77</a>
19101		<a href="#">82</a>	19162		<a href="#">76</a>	19233		<a href="#">80</a>	19305		<a href="#">77</a>
19102		<a href="#">78</a>	19163		<a href="#">76</a>	19234		<a href="#">80</a>	19306		<a href="#">77</a>
19103		<a href="#">78</a>	19164		<a href="#">76</a>	19235		<a href="#">80</a>	19307		<a href="#">77</a>
19104		<a href="#">78</a>	19165		<a href="#">76</a>	19236		<a href="#">80</a>	19308		<a href="#">77</a>
19105		<a href="#">78</a>	19166		<a href="#">76</a>	19237		<a href="#">80</a>	19309		<a href="#">77</a>
19106		<a href="#">81</a>	19167		<a href="#">76</a>	19238		<a href="#">80</a>	19310		<a href="#">77</a>
19106B		<a href="#">81</a>	19168		<a href="#">76</a>	19239		<a href="#">80</a>	19311		<a href="#">77</a>
19107		<a href="#">81</a>	19169		<a href="#">76</a>	19240		<a href="#">80</a>	19312		<a href="#">77</a>
19107B		<a href="#">81</a>	19170		<a href="#">76</a>	19241		<a href="#">80</a>	19313		<a href="#">77</a>
19108		<a href="#">81</a>	19171		<a href="#">76</a>	19242		<a href="#">80</a>	19313		<a href="#">77</a>
19108B		<a href="#">81</a>	19172		<a href="#">76</a>	19243		<a href="#">80</a>	19314		<a href="#">77</a>
19109		<a href="#">81</a>	19173		<a href="#">76</a>	19244		<a href="#">80</a>	19315		<a href="#">77</a>
19109B		<a href="#">81</a>	19174		<a href="#">76</a>	19245		<a href="#">80</a>	19316		<a href="#">77</a>
19110		<a href="#">82</a>	19175		<a href="#">76</a>	19246		<a href="#">80</a>	19317		<a href="#">77</a>
19111		<a href="#">82</a>	19176		<a href="#">76</a>	19247		<a href="#">80</a>	19318		<a href="#">77</a>
19113		<a href="#">83</a>	19177		<a href="#">76</a>	19248		<a href="#">80</a>	19319		<a href="#">77</a>
19114		<a href="#">83</a>	19178		<a href="#">76</a>	19249		<a href="#">80</a>	19320		<a href="#">77</a>
19115		<a href="#">84</a>	19179		<a href="#">76</a>	19250		<a href="#">80</a>	19321		<a href="#">77</a>
19116		<a href="#">84</a>	19180		<a href="#">76</a>	19251		<a href="#">80</a>	19322		<a href="#">77</a>
19117		<a href="#">84</a>	19181		<a href="#">76</a>	19252		<a href="#">80</a>	19323		<a href="#">77</a>
19118		<a href="#">84</a>	19182		<a href="#">76</a>	19253		<a href="#">80</a>	19324		<a href="#">77</a>
19119AS		<a href="#">26</a>	19183		<a href="#">76</a>	19254		<a href="#">80</a>	19325		<a href="#">77</a>
19119ASL		<a href="#">26</a>	19184		<a href="#">76</a>	19255		<a href="#">80</a>	19326		<a href="#">77</a>
19119B		<a href="#">26</a>	19185		<a href="#">76</a>	19256		<a href="#">80</a>	19327		<a href="#">77</a>
19119BL		<a href="#">26</a>	19186		<a href="#">76</a>	19257		<a href="#">80</a>	19329		<a href="#">77</a>
19119N		<a href="#">26</a>	19187		<a href="#">76</a>	19258		<a href="#">80</a>	19330		<a href="#">77</a>
19119NL		<a href="#">26</a>	19188		<a href="#">76</a>	19259		<a href="#">80</a>	19331		<a href="#">77</a>
19119V		<a href="#">26</a>	19189		<a href="#">78</a>	19260		<a href="#">80</a>	19332		<a href="#">77</a>
19119VL		<a href="#">26</a>	19190		<a href="#">78</a>	19261		<a href="#">80</a>	19333		<a href="#">77</a>
19120		<a href="#">76</a>	19191		<a href="#">78</a>	19262		<a href="#">80</a>	19334		<a href="#">77</a>
19121		<a href="#">76</a>	19192		<a href="#">78</a>	19263		<a href="#">80</a>	19335		<a href="#">77</a>
19122		<a href="#">76</a>	19193		<a href="#">78</a>	19264		<a href="#">80</a>	19336		<a href="#">77</a>
19123		<a href="#">76</a>	19194		<a href="#">78</a>	19265		<a href="#">80</a>	19337		<a href="#">77</a>
19124		<a href="#">76</a>	19195		<a href="#">78</a>	19266		<a href="#">80</a>	19338		<a href="#">77</a>
19125		<a href="#">76</a>	19196		<a href="#">78</a>	19267		<a href="#">80</a>	19339		<a href="#">77</a>
19126		<a href="#">76</a>	19197		<a href="#">78</a>	19268		<a href="#">80</a>	19340		<a href="#">77</a>
19127		<a href="#">76</a>	19198		<a href="#">78</a>	19269		<a href="#">80</a>	19341		<a href="#">77</a>
19128		<a href="#">76</a>	19199		<a href="#">78</a>	19270		<a href="#">80</a>	19342		<a href="#">77</a>
19129		<a href="#">76</a>	19200		<a href="#">78</a>	19271		<a href="#">80</a>	19343		<a href="#">77</a>
19130		<a href="#">76</a>	19201		<a href="#">78</a>	19272		<a href="#">80</a>	19350		<a href="#">85</a>
19131		<a href="#">76</a>	19202		<a href="#">78</a>	19274		<a href="#">77</a>	19351		<a href="#">85</a>
19132		<a href="#">76</a>	19203		<a href="#">78</a>	19275		<a href="#">77</a>	19352		<a href="#">85</a>
19133		<a href="#">76</a>	19204		<a href="#">78</a>	19276		<a href="#">77</a>	19353		<a href="#">86</a>
19134		<a href="#">76</a>	19205		<a href="#">78</a>	19277		<a href="#">77</a>	19354		<a href="#">86</a>
19135		<a href="#">76</a>	19206		<a href="#">78</a>	19278		<a href="#">77</a>	19355		<a href="#">86</a>
19136		<a href="#">76</a>	19207		<a href="#">78</a>	19279		<a href="#">77</a>	19358		<a href="#">86</a>
19137		<a href="#">76</a>	19208		<a href="#">78</a>	19280		<a href="#">77</a>	19359		<a href="#">86</a>
19138		<a href="#">76</a>	19209		<a href="#">78</a>	19281		<a href="#">77</a>	19360		<a href="#">86</a>
19139		<a href="#">76</a>	19210		<a href="#">78</a>	19282		<a href="#">77</a>	19361		<a href="#">86</a>
19140		<a href="#">76</a>	19211		<a href="#">78</a>	19283		<a href="#">77</a>	19362		<a href="#">86</a>
19141		<a href="#">76</a>	19212		<a href="#">78</a>	19284		<a href="#">77</a>	19363		<a href="#">86</a>
19142		<a href="#">76</a>	19213		<a href="#">78</a>	19285		<a href="#">77</a>	19370		<a href="#">85</a>
19143		<a href="#">76</a>	19214		<a href="#">78</a>	19286		<a href="#">77</a>	19371		<a href="#">85-88</a>
19144		<a href="#">76</a>	19215		<a href="#">78</a>	19287		<a href="#">77</a>	19372		<a href="#">85</a>
19145		<a href="#">76</a>	19216		<a href="#">78</a>	19288		<a href="#">77</a>	19373		<a href="#">85-86-88</a>
19146		<a href="#">76</a>	19217		<a href="#">80</a>	19289		<a href="#">77</a>	19374		<a href="#">85</a>
19147		<a href="#">76</a>	19218		<a href="#">80</a>	19290		<a href="#">77</a>	19375		<a href="#">85-86</a>
19148		<a href="#">76</a>	19219		<a href="#">80</a>	19291		<a href="#">77</a>	19381		<a href="#">91</a>
19149		<a href="#">76</a>	19220		<a href="#">80</a>	19292		<a href="#">77</a>	19386		<a href="#">90</a>
19150		<a href="#">76</a>	19221		<a href="#">80</a>	19293		<a href="#">77</a>	19390		<a href="#">83</a>
19151		<a href="#">76</a>	19222		<a href="#">80</a>	19294		<a href="#">77</a>	19391		<a href="#">83</a>
19152		<a href="#">76</a>	19223		<a href="#">80</a>	19295		<a href="#">77</a>	19396		<a href="#">82</a>
19153		<a href="#">76</a>	19224		<a href="#">80</a>	19296		<a href="#">77</a>	19396L		<a href="#">82</a>
19154		<a href="#">76</a>	19225		<a href="#">80</a>	19297		<a href="#">77</a>	19397		<a href="#">82</a>
19155		<a href="#">76</a>	19226		<a href="#">80</a>	19298		<a href="#">77</a>	19397L		<a href="#">82</a>
19156		<a href="#">76</a>	19227		<a href="#">80</a>	19299		<a href="#">77</a>	19400		<a href="#">87</a>
19157		<a href="#">76</a>	19228		<a href="#">80</a>	19300		<a href="#">77</a>	19401		<a href="#">87</a>

# Index

## LIST OF CODES

Code	Reference	Page	Code	Reference	Page	Code	Reference	Page	Code	Reference	Page
19402		<a href="#">87</a>	19484		<a href="#">76</a>	19931		<a href="#">77</a>	40013		<a href="#">294</a>
19403		<a href="#">87</a>	19485		<a href="#">76</a>	19932		<a href="#">77</a>	40014		<a href="#">294</a>
19404		<a href="#">87</a>	19486		<a href="#">76</a>	19933		<a href="#">77</a>	40015		<a href="#">294</a>
19405		<a href="#">87</a>	19487		<a href="#">76</a>	19934		<a href="#">77</a>	40016		<a href="#">294</a>
19406		<a href="#">87</a>	19488		<a href="#">76</a>	19935		<a href="#">77</a>	40017		<a href="#">294</a>
19410		<a href="#">89</a>	19489		<a href="#">76</a>	19936		<a href="#">77</a>	40018		<a href="#">294</a>
19411		<a href="#">89</a>	19490		<a href="#">76</a>	19937		<a href="#">77</a>	40019		<a href="#">294</a>
19412		<a href="#">90</a>	19491		<a href="#">76</a>	19938		<a href="#">77</a>	40020		<a href="#">294</a>
19420		<a href="#">91</a>	19492		<a href="#">76</a>	19939		<a href="#">77</a>	40021		<a href="#">294</a>
19421		<a href="#">91</a>	19493		<a href="#">76</a>	19940		<a href="#">77</a>	40022		<a href="#">299</a>
19422		<a href="#">92</a>	19494		<a href="#">76</a>	19941		<a href="#">77</a>	40023		<a href="#">299</a>
19423		<a href="#">92</a>	19495		<a href="#">76</a>	19942		<a href="#">77</a>	40024		<a href="#">299</a>
19424		<a href="#">87</a>	19496		<a href="#">76</a>	19943		<a href="#">77</a>	40025		<a href="#">299</a>
19425		<a href="#">87</a>	19497		<a href="#">76</a>	19944		<a href="#">77</a>	40026		<a href="#">299</a>
19426		<a href="#">87</a>	19498		<a href="#">124</a>	19945		<a href="#">77</a>	40027		<a href="#">299</a>
19427		<a href="#">87</a>	19499		<a href="#">124</a>	19946		<a href="#">77</a>	40028		<a href="#">299</a>
19428		<a href="#">88</a>	19500		<a href="#">124</a>	19950		<a href="#">78</a>	40029		<a href="#">299</a>
19429		<a href="#">88</a>	19501		<a href="#">125</a>	19951		<a href="#">78</a>	40030		<a href="#">305</a>
19430		<a href="#">88</a>	19502		<a href="#">125</a>	19952		<a href="#">78</a>	40031		<a href="#">294</a>
19431		<a href="#">88</a>	19503		<a href="#">124</a>	19953		<a href="#">78</a>	40035		<a href="#">299</a>
19433		<a href="#">88</a>	19504		<a href="#">124</a>	19954		<a href="#">78</a>	40036		<a href="#">299</a>
19435		<a href="#">88</a>	19505		<a href="#">125</a>	19955		<a href="#">78</a>	40037		<a href="#">300</a>
19436		<a href="#">88</a>	19506		<a href="#">125</a>	19956		<a href="#">78</a>	40038		<a href="#">300</a>
19437		<a href="#">88</a>	19507		<a href="#">124</a>	19957		<a href="#">78</a>	40039		<a href="#">300</a>
19438		<a href="#">88</a>	19508		<a href="#">125</a>	19958		<a href="#">78</a>	40043		<a href="#">300</a>
19439		<a href="#">88</a>	19509		<a href="#">125</a>	19959		<a href="#">78</a>	40044		<a href="#">300</a>
19440		<a href="#">89</a>	19511		<a href="#">126</a>	19960		<a href="#">78</a>	40045		<a href="#">300</a>
19441		<a href="#">89</a>	19512		<a href="#">126</a>	19961		<a href="#">78</a>	40046		<a href="#">300</a>
19442		<a href="#">89</a>	19513		<a href="#">126</a>	19962		<a href="#">78</a>	40047		<a href="#">300</a>
19445		<a href="#">76</a>	19514		<a href="#">126</a>	19963		<a href="#">78</a>	40048		<a href="#">302</a>
19446		<a href="#">76</a>	19515		<a href="#">126</a>	19964		<a href="#">78</a>	40049		<a href="#">302</a>
19447		<a href="#">76</a>	19516		<a href="#">126</a>	19965		<a href="#">78</a>	40050		<a href="#">304</a>
19448		<a href="#">76</a>	19517		<a href="#">127</a>	19966		<a href="#">78</a>	40051		<a href="#">301</a>
19449		<a href="#">76</a>	19519		<a href="#">127</a>	19967		<a href="#">78</a>	40052		<a href="#">301</a>
19450		<a href="#">104</a>	19520		<a href="#">127</a>	19968		<a href="#">78</a>	40053		<a href="#">301</a>
19451		<a href="#">104</a>	19521		<a href="#">127</a>	19969		<a href="#">78</a>	40054		<a href="#">303</a>
19452		<a href="#">104</a>	19522		<a href="#">127</a>	19970		<a href="#">78</a>	40055		<a href="#">301</a>
19450T		<a href="#">76</a>	19523		<a href="#">127</a>	19971		<a href="#">78</a>	40056		<a href="#">302</a>
19451		<a href="#">104</a>	19896		<a href="#">77</a>	19972		<a href="#">78</a>	40057		<a href="#">303</a>
19451T		<a href="#">76</a>	19897		<a href="#">77</a>	19973		<a href="#">78</a>	40058		<a href="#">300</a>
19452		<a href="#">104</a>	19898		<a href="#">77</a>	19974		<a href="#">78</a>	40059		<a href="#">304</a>
19452T		<a href="#">76</a>	19899		<a href="#">77</a>	19975		<a href="#">78</a>	40060		<a href="#">303</a>
19453		<a href="#">76</a>	19901		<a href="#">77</a>	19976		<a href="#">78</a>	40064		<a href="#">301</a>
19454		<a href="#">76</a>	19902		<a href="#">77</a>	19977		<a href="#">78</a>	40065		<a href="#">301</a>
19455		<a href="#">76</a>	19903		<a href="#">77</a>	19978		<a href="#">78</a>	40066		<a href="#">300</a>
19456		<a href="#">76</a>	19904		<a href="#">77</a>	19979		<a href="#">78</a>	40067		<a href="#">294</a>
19457		<a href="#">76</a>	19905		<a href="#">77</a>	19980		<a href="#">78</a>	40068		<a href="#">294</a>
19458		<a href="#">76</a>	19906		<a href="#">77</a>	19981		<a href="#">78</a>	40069		<a href="#">294</a>
19459		<a href="#">76</a>	19907		<a href="#">77</a>	19982		<a href="#">78</a>	40070		<a href="#">294</a>
19460		<a href="#">105</a>	19908		<a href="#">77</a>	19983		<a href="#">78</a>	40071		<a href="#">301</a>
19460L		<a href="#">105</a>	19909		<a href="#">77</a>	19984		<a href="#">78</a>	40072		<a href="#">301</a>
19460T		<a href="#">76</a>	19910		<a href="#">77</a>	19985		<a href="#">78</a>	40073		<a href="#">301</a>
19465		<a href="#">76</a>	19911		<a href="#">77</a>	19986		<a href="#">78</a>	40075		<a href="#">303</a>
19466		<a href="#">76</a>	19912		<a href="#">77</a>	19987		<a href="#">78</a>	40076		<a href="#">303</a>
19467		<a href="#">76</a>	19914		<a href="#">77</a>	19988		<a href="#">78</a>	40077		<a href="#">304</a>
19468		<a href="#">76</a>	19915		<a href="#">77</a>	19989		<a href="#">78</a>	40078		<a href="#">294</a>
19469		<a href="#">76</a>	19916		<a href="#">77</a>	19990		<a href="#">36</a>	40079		<a href="#">294</a>
19470		<a href="#">76</a>	19917		<a href="#">77</a>	19991		<a href="#">36</a>	40080		<a href="#">294</a>
19471		<a href="#">76</a>	19918		<a href="#">77</a>	19992		<a href="#">36</a>	40081		<a href="#">294</a>
19472		<a href="#">76</a>	19919		<a href="#">77</a>	40001		<a href="#">299</a>	121547		<a href="#">48</a>
19473		<a href="#">76</a>	19920		<a href="#">77</a>	40002		<a href="#">299</a>	121547LN		<a href="#">51</a>
19474		<a href="#">76</a>	19921		<a href="#">77</a>	40003		<a href="#">299</a>	121547RN		<a href="#">49</a>
19475		<a href="#">76</a>	19922		<a href="#">77</a>	40004		<a href="#">299</a>	121548		<a href="#">48</a>
19476		<a href="#">76</a>	19923		<a href="#">77</a>	40005		<a href="#">299</a>	121548LN		<a href="#">51</a>
19477		<a href="#">76</a>	19924		<a href="#">77</a>	40006		<a href="#">299</a>	121548RN		<a href="#">49</a>
19478		<a href="#">76</a>	19925		<a href="#">77</a>	40007		<a href="#">299</a>	121549		<a href="#">48</a>
19479		<a href="#">76</a>	19926		<a href="#">77</a>	40008		<a href="#">299</a>	121549LN		<a href="#">51</a>
19480		<a href="#">76</a>	19927		<a href="#">77</a>	40009		<a href="#">294</a>	121549RN		<a href="#">49</a>
19481		<a href="#">76</a>	19928		<a href="#">77</a>	40010		<a href="#">305</a>	121550		<a href="#">48</a>
19482		<a href="#">76</a>	19929		<a href="#">77</a>	40011		<a href="#">305</a>	121550LN		<a href="#">51</a>
19483		<a href="#">76</a>	19930		<a href="#">77</a>	40012		<a href="#">294</a>	121550RN		<a href="#">49</a>

# Index

## LIST OF CODES

Code	Reference	Page	Code	Reference	Page	Code	Reference	Page	Code	Reference	Page
121551		<a href="#">48</a>	121960		<a href="#">42</a>	121992RN		<a href="#">55</a>	131045		<a href="#">215</a>
121551LN		<a href="#">51</a>	121960F		<a href="#">42</a>	121993		<a href="#">54</a>	131046		<a href="#">215</a>
121551RN		<a href="#">49</a>	121960RN		<a href="#">43</a>	121993RN		<a href="#">55</a>	131047		<a href="#">215</a>
121552		<a href="#">48</a>	121960RNF		<a href="#">43</a>	121994		<a href="#">54</a>	131048		<a href="#">215</a>
121552LN		<a href="#">51</a>	121963		<a href="#">44</a>	121994RN		<a href="#">55</a>	131049		<a href="#">215</a>
121552RN		<a href="#">49</a>	121963RN		<a href="#">45</a>	122108		<a href="#">40</a>	131050		<a href="#">215</a>
121553		<a href="#">48</a>	121964		<a href="#">44</a>	122109		<a href="#">40</a>	131051		<a href="#">215</a>
121553LN		<a href="#">51</a>	121964RN		<a href="#">45</a>	122110		<a href="#">40</a>	131052		<a href="#">215</a>
121553RNF		<a href="#">49</a>	121965		<a href="#">44</a>	122111N		<a href="#">46</a>	131053		<a href="#">215</a>
121554		<a href="#">48</a>	121965RN		<a href="#">45</a>	122111RN		<a href="#">47</a>	131054		<a href="#">216</a>
121554LN		<a href="#">51</a>	121966		<a href="#">44</a>	122111V		<a href="#">46</a>	131055		<a href="#">216</a>
121554RNF		<a href="#">49</a>	121966RN		<a href="#">45</a>	122112N		<a href="#">46</a>	131056		<a href="#">216</a>
121595		<a href="#">48</a>	121967		<a href="#">44</a>	122112RN		<a href="#">47</a>	131057		<a href="#">216</a>
121595LN		<a href="#">51</a>	121967F		<a href="#">44</a>	122112V		<a href="#">46</a>	131058		<a href="#">216</a>
121595RN		<a href="#">49</a>	121967RN		<a href="#">45</a>	122113N		<a href="#">46</a>	131059		<a href="#">216</a>
121780		<a href="#">42</a>	121967RNF		<a href="#">45</a>	122113RN		<a href="#">47</a>	131060		<a href="#">216</a>
121781		<a href="#">42</a>	121968		<a href="#">44</a>	122113V		<a href="#">46</a>	131061		<a href="#">217</a>
121782		<a href="#">42</a>	121968F		<a href="#">44</a>	122114N		<a href="#">46</a>	131062		<a href="#">217</a>
121783		<a href="#">42</a>	121968RN		<a href="#">45</a>	122114RN		<a href="#">47</a>	131063		<a href="#">217</a>
121784		<a href="#">42</a>	121968RNF		<a href="#">45</a>	122114V		<a href="#">46</a>	131064		<a href="#">217</a>
121784RNF		<a href="#">43</a>	121969		<a href="#">44</a>	122115N		<a href="#">46</a>	131065		<a href="#">217</a>
121785		<a href="#">42</a>	121969F		<a href="#">44</a>	122115RN		<a href="#">47</a>	131066		<a href="#">217</a>
121785RNF		<a href="#">43</a>	121969RN		<a href="#">45</a>	122115V		<a href="#">46</a>	131067		<a href="#">217</a>
121786		<a href="#">196</a>	121969RNF		<a href="#">45</a>	122116N		<a href="#">46</a>	131068		<a href="#">217</a>
121786AS		<a href="#">196</a>	121970		<a href="#">44</a>	122116RN		<a href="#">47</a>	131069		<a href="#">217</a>
121786B		<a href="#">196</a>	121970F		<a href="#">44</a>	122116V		<a href="#">46</a>	131070		<a href="#">217</a>
121786V		<a href="#">196</a>	121970RN		<a href="#">45</a>	122117N		<a href="#">38</a>	131071		<a href="#">217</a>
121786W		<a href="#">196</a>	121970RNF		<a href="#">45</a>	122117V		<a href="#">38</a>	131072		<a href="#">217</a>
121787		<a href="#">42</a>	121971		<a href="#">54</a>	122118N		<a href="#">38</a>	131073		<a href="#">217</a>
121787RN		<a href="#">43</a>	121971RN		<a href="#">55</a>	122118V		<a href="#">38</a>	131074		<a href="#">217</a>
121789		<a href="#">42</a>	121972		<a href="#">54</a>	122119N		<a href="#">38</a>	131075		<a href="#">217</a>
121789RN		<a href="#">43</a>	121972RN		<a href="#">55</a>	122119V		<a href="#">38</a>	131076		<a href="#">217</a>
121790		<a href="#">197</a>	121973		<a href="#">54</a>	122120N		<a href="#">38</a>	131077		<a href="#">217</a>
121790B		<a href="#">197</a>	121973RN		<a href="#">55</a>	122120V		<a href="#">38</a>	131078		<a href="#">217</a>
121790V		<a href="#">197</a>	121974		<a href="#">54</a>	131001		<a href="#">138</a>	131100		<a href="#">229</a>
121790W		<a href="#">197</a>	121974RN		<a href="#">55</a>	131001S		<a href="#">138</a>	131100W		<a href="#">229</a>
121792		<a href="#">197</a>	121975		<a href="#">54</a>	131002		<a href="#">138</a>	131101		<a href="#">229</a>
121792B		<a href="#">197</a>	121975RN		<a href="#">55</a>	131002S		<a href="#">138</a>	131101W		<a href="#">229</a>
121792V		<a href="#">197</a>	121976		<a href="#">54</a>	131003		<a href="#">139</a>	131102		<a href="#">229</a>
121792W		<a href="#">197</a>	121976RN		<a href="#">55</a>	131003S		<a href="#">139</a>	131102W		<a href="#">229</a>
121950		<a href="#">48</a>	121977		<a href="#">54</a>	131004	VG-018M-01	<a href="#">140</a>	131103		<a href="#">229</a>
121950LN		<a href="#">51</a>	121977RN		<a href="#">55</a>	131005	VG-018M-02	<a href="#">140</a>	131103W		<a href="#">229</a>
121950RN		<a href="#">49</a>	121978		<a href="#">54</a>	131006	VG-018M-03	<a href="#">140</a>	131104		<a href="#">229</a>
121951		<a href="#">48</a>	121978RN		<a href="#">55</a>	131007	VG-018M-04	<a href="#">140</a>	131104W		<a href="#">229</a>
121951LN		<a href="#">51</a>	121979		<a href="#">54</a>	131008		<a href="#">274</a>	131105		<a href="#">229</a>
121951RN		<a href="#">49</a>	121979RN		<a href="#">55</a>	131010L		<a href="#">275</a>	131105W		<a href="#">229</a>
121952		<a href="#">48</a>	121980		<a href="#">54</a>	131010P		<a href="#">275</a>	131106		<a href="#">229</a>
121952LN		<a href="#">51</a>	121980RN		<a href="#">55</a>	131011L		<a href="#">275</a>	131106W		<a href="#">229</a>
121952RN		<a href="#">49</a>	121981		<a href="#">54</a>	131011P		<a href="#">275</a>	131107		<a href="#">229</a>
121953		<a href="#">48</a>	121981RN		<a href="#">55</a>	131012L		<a href="#">275</a>	131107W		<a href="#">229</a>
121953LN		<a href="#">51</a>	121982		<a href="#">54</a>	131012P		<a href="#">275</a>	131108		<a href="#">229</a>
121953RN		<a href="#">49</a>	121982RN		<a href="#">55</a>	131013L		<a href="#">275</a>	131108W		<a href="#">229</a>
121954		<a href="#">48</a>	121983		<a href="#">54</a>	131013P		<a href="#">275</a>	131109		<a href="#">229</a>
121954LN		<a href="#">51</a>	121983RN		<a href="#">55</a>	131014L		<a href="#">275</a>	131109W		<a href="#">229</a>
121954RN		<a href="#">49</a>	121984		<a href="#">54</a>	131014P		<a href="#">275</a>	131110		<a href="#">229</a>
121955		<a href="#">48</a>	121984RN		<a href="#">55</a>	131015		<a href="#">214</a>	131110W		<a href="#">229</a>
121955LN		<a href="#">51</a>	121985		<a href="#">54</a>	131030		<a href="#">214</a>	131111		<a href="#">229</a>
121955RN		<a href="#">49</a>	121985RN		<a href="#">55</a>	131031		<a href="#">214</a>	131111W		<a href="#">229</a>
121956		<a href="#">48</a>	121986		<a href="#">54</a>	131032		<a href="#">214</a>	131112		<a href="#">159</a>
121956LN		<a href="#">51</a>	121986RN		<a href="#">55</a>	131033		<a href="#">214</a>	131113		<a href="#">159</a>
121956RNF		<a href="#">49</a>	121987		<a href="#">54</a>	131034		<a href="#">214</a>	131114		<a href="#">159</a>
121957		<a href="#">48</a>	121987RN		<a href="#">55</a>	131035		<a href="#">214</a>	131115		<a href="#">159</a>
121957LN		<a href="#">51</a>	121988		<a href="#">54</a>	131036		<a href="#">215</a>	131116		<a href="#">159</a>
121957RNF		<a href="#">49</a>	121988RN		<a href="#">55</a>	131037		<a href="#">215</a>	131117		<a href="#">159</a>
121958		<a href="#">48</a>	121989		<a href="#">54</a>	131038		<a href="#">215</a>	131118		<a href="#">159</a>
121958LN		<a href="#">51</a>	121989RN		<a href="#">55</a>	131039		<a href="#">215</a>	131119		<a href="#">159</a>
121958RNF		<a href="#">49</a>	121990		<a href="#">54</a>	131040		<a href="#">215</a>	131120		<a href="#">159</a>
121959		<a href="#">42</a>	121990RN		<a href="#">55</a>	131041		<a href="#">215</a>	131121		<a href="#">159</a>
121959F		<a href="#">42</a>	121991		<a href="#">54</a>	131042		<a href="#">215</a>	131122		<a href="#">159</a>
121959RN		<a href="#">43</a>	121991RN		<a href="#">55</a>	131043		<a href="#">215</a>	131123		<a href="#">159</a>
121959RNF		<a href="#">43</a>	121992		<a href="#">54</a>	131044		<a href="#">215</a>	131124		<a href="#">159</a>

# Index

## LIST OF CODES

Code	Reference	Page	Code	Reference	Page	Code	Reference	Page	Code	Reference	Page
131125		<a href="#">159</a>	190033		<a href="#">79</a>	190111		<a href="#">80</a>	190218L		<a href="#">99</a>
131126		<a href="#">159</a>	190034		<a href="#">79</a>	190112		<a href="#">80</a>	190219		<a href="#">99</a>
131127		<a href="#">159</a>	190035		<a href="#">79</a>	190113		<a href="#">80</a>	190219L		<a href="#">99</a>
131130		<a href="#">157</a>	190036		<a href="#">79</a>	190114		<a href="#">80</a>	190220		<a href="#">100</a>
131131		<a href="#">157</a>	190037		<a href="#">79</a>	190115		<a href="#">80</a>	190220L		<a href="#">100</a>
131132		<a href="#">157</a>	190038		<a href="#">79</a>	190116		<a href="#">80</a>	190221		<a href="#">100</a>
131133		<a href="#">157</a>	190039		<a href="#">79</a>	190117		<a href="#">80</a>	190221AS	VG-SST-2.25-SD-3M	<a href="#">100</a>
131134		<a href="#">157</a>	190040		<a href="#">79</a>	190118		<a href="#">80</a>	190221ASL	VG-SST-2.25-SD-6M	<a href="#">100</a>
131135		<a href="#">158</a>	190041		<a href="#">79</a>	190119		<a href="#">80</a>	190221L		<a href="#">100</a>
131137		<a href="#">157</a>	190042		<a href="#">79</a>	190120		<a href="#">80</a>	190222		<a href="#">100</a>
131138		<a href="#">157</a>	190043		<a href="#">79</a>	190121		<a href="#">80</a>	190222L		<a href="#">100</a>
131139		<a href="#">157</a>	190044		<a href="#">79</a>	190122		<a href="#">80</a>	190223		<a href="#">100</a>
131140		<a href="#">157</a>	190045		<a href="#">79</a>	190123		<a href="#">80</a>	190223L		<a href="#">100</a>
131141		<a href="#">157</a>	190046		<a href="#">79</a>	190124		<a href="#">80</a>	190224		<a href="#">100</a>
131142		<a href="#">157</a>	190047		<a href="#">79</a>	190125		<a href="#">80</a>	190224L		<a href="#">100</a>
131143		<a href="#">157</a>	190048		<a href="#">79</a>	190126		<a href="#">80</a>	190225		<a href="#">100</a>
131144		<a href="#">157</a>	190049		<a href="#">79</a>	190127		<a href="#">80</a>	190225L		<a href="#">100</a>
131145		<a href="#">157</a>	190050		<a href="#">79</a>	190129		<a href="#">80</a>	190226		<a href="#">100</a>
131146		<a href="#">157</a>	190051		<a href="#">79</a>	190130		<a href="#">80</a>	190226L		<a href="#">100</a>
131147		<a href="#">157</a>	190052		<a href="#">79</a>	190131		<a href="#">80</a>	190227		<a href="#">100</a>
131148		<a href="#">157</a>	190053		<a href="#">79</a>	190132		<a href="#">80</a>	190227L		<a href="#">100</a>
131149		<a href="#">157</a>	190054		<a href="#">79</a>	190133		<a href="#">80</a>	190228		<a href="#">100</a>
131150		<a href="#">158</a>	190055		<a href="#">79</a>	190134		<a href="#">80</a>	190228L		<a href="#">100</a>
131151		<a href="#">158</a>	190056		<a href="#">79</a>	190135		<a href="#">80</a>	190229		<a href="#">100</a>
131152		<a href="#">158</a>	190060		<a href="#">80</a>	190136		<a href="#">80</a>	190229L		<a href="#">100</a>
131153		<a href="#">156</a>	190061		<a href="#">80</a>	190137		<a href="#">80</a>	190230		<a href="#">100</a>
131154		<a href="#">156</a>	190062		<a href="#">80</a>	190138		<a href="#">80</a>	190230L		<a href="#">100</a>
131155		<a href="#">156</a>	190063		<a href="#">80</a>	190139		<a href="#">80</a>	190231		<a href="#">100</a>
131160		<a href="#">165</a>	190064		<a href="#">80</a>	190140		<a href="#">80</a>	190231L		<a href="#">100</a>
131161		<a href="#">165</a>	190065		<a href="#">80</a>	190141		<a href="#">80</a>	190232		<a href="#">98</a>
131162		<a href="#">165</a>	190066		<a href="#">80</a>	190142		<a href="#">80</a>	190232L		<a href="#">98</a>
131163		<a href="#">165</a>	190067		<a href="#">80</a>	190143		<a href="#">80</a>	190233		<a href="#">98</a>
131164		<a href="#">165</a>	190068		<a href="#">80</a>	190200		<a href="#">97</a>	190233L		<a href="#">98</a>
131165		<a href="#">165</a>	190069		<a href="#">80</a>	190200L		<a href="#">97</a>	190234		<a href="#">98</a>
131166		<a href="#">165</a>	190070		<a href="#">80</a>	190201		<a href="#">97</a>	190234L		<a href="#">98</a>
131167		<a href="#">165</a>	190071		<a href="#">80</a>	190201L		<a href="#">97</a>	190235		<a href="#">98</a>
131168		<a href="#">165</a>	190072		<a href="#">80</a>	190202		<a href="#">98</a>	190235L		<a href="#">98</a>
131169		<a href="#">165</a>	190073		<a href="#">80</a>	190202L		<a href="#">98</a>	190236		<a href="#">100</a>
131170		<a href="#">104</a>	190074		<a href="#">80</a>	190203		<a href="#">98</a>	190236L		<a href="#">100</a>
190001		<a href="#">79</a>	190075		<a href="#">80</a>	190203L		<a href="#">98</a>	190237		<a href="#">100</a>
190002		<a href="#">79</a>	190076		<a href="#">80</a>	190204		<a href="#">98</a>	190237L		<a href="#">100</a>
190003		<a href="#">79</a>	190077		<a href="#">80</a>	190204L		<a href="#">98</a>	190238		<a href="#">100</a>
190004		<a href="#">79</a>	190078		<a href="#">80</a>	190205		<a href="#">98</a>	190238L		<a href="#">100</a>
190005		<a href="#">79</a>	190079		<a href="#">80</a>	190205L		<a href="#">98</a>	190239		<a href="#">100</a>
190006		<a href="#">79</a>	190080		<a href="#">80</a>	190206		<a href="#">99</a>	190239L		<a href="#">100</a>
190007		<a href="#">79</a>	190081		<a href="#">80</a>	190206L		<a href="#">99</a>	190240N		<a href="#">35</a>
190008		<a href="#">79</a>	190082		<a href="#">80</a>	190207		<a href="#">99</a>	190240NL		<a href="#">35</a>
190009		<a href="#">79</a>	190083		<a href="#">80</a>	190207L		<a href="#">99</a>	190240V		<a href="#">35</a>
190010		<a href="#">79</a>	190085		<a href="#">80</a>	190208		<a href="#">99</a>	190240VL		<a href="#">35</a>
190011		<a href="#">79</a>	190086		<a href="#">80</a>	190208L		<a href="#">99</a>	190241N		<a href="#">35</a>
190012		<a href="#">79</a>	190087		<a href="#">80</a>	190209		<a href="#">99</a>	190241NL		<a href="#">35</a>
190013		<a href="#">79</a>	190089		<a href="#">80</a>	190209L		<a href="#">99</a>	190241V		<a href="#">35</a>
190014		<a href="#">79</a>	190090		<a href="#">80</a>	190210		<a href="#">101</a>	190241VL		<a href="#">35</a>
190015		<a href="#">79</a>	190091		<a href="#">80</a>	190210L		<a href="#">101</a>	190242N		<a href="#">35</a>
190016		<a href="#">79</a>	190092		<a href="#">80</a>	190211		<a href="#">101</a>	190242NL		<a href="#">35</a>
190017		<a href="#">79</a>	190093		<a href="#">80</a>	190211L		<a href="#">101</a>	190242V		<a href="#">35</a>
190018		<a href="#">79</a>	190094		<a href="#">80</a>	190212		<a href="#">97</a>	190242VL		<a href="#">35</a>
190019		<a href="#">79</a>	190095		<a href="#">80</a>	190212L		<a href="#">97</a>	190249		<a href="#">95</a>
190020		<a href="#">79</a>	190097		<a href="#">80</a>	190213		<a href="#">97</a>	190249L		<a href="#">95</a>
190021		<a href="#">79</a>	190098		<a href="#">80</a>	190213AS	VG-SSWF-SD-3M	<a href="#">97</a>	190250		<a href="#">95</a>
190022		<a href="#">79</a>	190099		<a href="#">80</a>	190213ASL	VG-SSWF-SD-6M	<a href="#">97</a>	190250L		<a href="#">95</a>
190023		<a href="#">79</a>	190101		<a href="#">80</a>	190213L		<a href="#">97</a>	190251		<a href="#">95</a>
190024		<a href="#">79</a>	190102		<a href="#">80</a>	190214		<a href="#">97</a>	190251L		<a href="#">95</a>
190025		<a href="#">79</a>	190103		<a href="#">80</a>	190214L		<a href="#">97</a>	190252		<a href="#">95</a>
190026		<a href="#">79</a>	190104		<a href="#">80</a>	190215		<a href="#">97</a>	190252L		<a href="#">95</a>
190027		<a href="#">79</a>	190105		<a href="#">80</a>	190215L		<a href="#">97</a>	190253		<a href="#">96</a>
190028		<a href="#">79</a>	190106		<a href="#">80</a>	190216		<a href="#">99</a>	190253L		<a href="#">96</a>
190029		<a href="#">79</a>	190107		<a href="#">80</a>	190216L		<a href="#">99</a>	190254		<a href="#">96</a>
190030		<a href="#">79</a>	190108		<a href="#">80</a>	190217		<a href="#">99</a>	190254L		<a href="#">96</a>
190031		<a href="#">79</a>	190109		<a href="#">80</a>	190217L		<a href="#">99</a>	190255		<a href="#">96</a>
190032		<a href="#">79</a>	190110		<a href="#">80</a>	190218		<a href="#">99</a>	190255L		<a href="#">96</a>

# Index

## LIST OF CODES

Code	Reference	Page	Code	Reference	Page	Code	Reference	Page	Code	Reference	Page
190256		<a href="#">96</a>	190390		<a href="#">121</a>	13500058	VG-223N-58-01	<a href="#">234</a>	13500206	VG-245-L-BK	<a href="#">239</a>
190256L		<a href="#">96</a>	190391		<a href="#">121</a>	13500059	VG-223R-12-01	<a href="#">235</a>	13500207	VG-245-M-BK	<a href="#">239</a>
190257		<a href="#">96</a>	190392		<a href="#">121</a>	13500060	VG-223R-14-01	<a href="#">235</a>	13500346	VG-022-01M	<a href="#">132</a>
190257L		<a href="#">96</a>	190393		<a href="#">121</a>	13500061	VG-223R-20-01	<a href="#">235</a>	13500250	VG-031-12-35	<a href="#">130</a>
190258		<a href="#">96</a>	190394		<a href="#">121</a>	13500062	VG-223R-58-01	<a href="#">235</a>	13500251	VG-031-12-50	<a href="#">130</a>
190258L		<a href="#">96</a>	190395		<a href="#">35</a>	13500064	VG-223RN-12-01	<a href="#">235</a>	13500252	VG-031-12-70	<a href="#">130</a>
190259		<a href="#">96</a>	190396		<a href="#">35</a>	13500065	VG-223RN-TOP-12	<a href="#">248</a>	13500253	VG-032-12-35	<a href="#">145</a>
190259L		<a href="#">96</a>	12500001	VG-R3U-185-50-G	<a href="#">50</a>	13500066	VG-223RN-TOP-14	<a href="#">248</a>	13500254	VG-032-12-50	<a href="#">145</a>
190260		<a href="#">96</a>	12500002	VG-R3U-185-60-G	<a href="#">50</a>	13500067	VG-223RN-TOP-20	<a href="#">248</a>	13500255	VG-1568M-01	<a href="#">34</a>
190260L		<a href="#">96</a>	13500003	VG-R3U-205-50-G	<a href="#">50</a>	13500068	VG-223RN-TOP-58	<a href="#">248</a>	13500255	VG-1568M-01	<a href="#">174</a>
190261		<a href="#">96</a>	12500004	VG-R3U-205-60-G	<a href="#">50</a>	13500069	VG-223R-TOP-12	<a href="#">248</a>	13500256	VG-1568M-02	<a href="#">34</a>
190261L		<a href="#">96</a>	12500005	VG-RF3U-185-50-G	<a href="#">50</a>	13500070	VG-223R-TOP-14	<a href="#">248</a>	13500256	VG-1568M-02	<a href="#">174</a>
190262		<a href="#">97</a>	12500006	VG-RF3U-185-60-G	<a href="#">50</a>	13500071	VG-223R-TOP-20	<a href="#">248</a>	13500257	VG-1568M-03	<a href="#">34</a>
190262L		<a href="#">97</a>	12500007	VG-RF3U-205-50-G	<a href="#">50</a>	13500072	VG-223R-TOP-58	<a href="#">248</a>	13500257	VG-1568M-03	<a href="#">174</a>
190263		<a href="#">97</a>	12500008	VG-RF3U-205-60-G	<a href="#">50</a>	13500073	VG-213RN-TOP-14	<a href="#">248</a>	13500258	VG-1568M-04	<a href="#">34</a>
190263L		<a href="#">97</a>	13500001	VG-213-12-01	<a href="#">231</a>	13500074	VG-213R-TOP-20	<a href="#">248</a>	13500258	VG-1568M-04	<a href="#">174</a>
190264		<a href="#">97</a>	13500002	VG-213-12-02	<a href="#">233</a>	13500080	VG-223F-12-01	<a href="#">235</a>	13500259	VG-222JQ-M10	<a href="#">160</a>
190264L		<a href="#">97</a>	13500003	VG-213-14-01	<a href="#">231</a>	13500081	VG-223F-14-01	<a href="#">235</a>	13500260	VG-222JQ-M8	<a href="#">160</a>
190265	<a href="#">35-122-200</a>		13500004	VG-213-20-01	<a href="#">231</a>	13500082	VG-223F-58-01	<a href="#">235</a>	13500261	VG-222JQ-M8M-M10F	<a href="#">160</a>
190265L	<a href="#">35-122-200</a>		13500005	VG-213-58-01	<a href="#">231</a>	13500083	VG-223F-20-01	<a href="#">235</a>	13500262	VG-245-WSH-S	<a href="#">240</a>
190300		<a href="#">105</a>	13500006	VG-213-58-02	<a href="#">233</a>	13500084	VG-223FN-12-01	<a href="#">235</a>	13500263	VG-203Q-03-10-M10	<a href="#">244</a>
190301		<a href="#">105</a>	13500007	VG-213N-12-01	<a href="#">231</a>	13500085	VG-223FN-14-01	<a href="#">235</a>	13500264	VG-203Q-03-15-M8	<a href="#">244</a>
190302		<a href="#">105</a>	13500008	VG-213N-14-01	<a href="#">231</a>	13500086	VG-223FN-58-01	<a href="#">235</a>	13500265	VG-203Q-05-15-M10	<a href="#">244</a>
190303		<a href="#">105</a>	13500009	VG-213N-20-01	<a href="#">231</a>	13500087	VG-223FN-20-01	<a href="#">235</a>	13500266	VG-203Q-05-25-M10	<a href="#">244</a>
190304		<a href="#">105</a>	13500010	VG-213N-58-01	<a href="#">231</a>	13500092	VG-PMI-25	<a href="#">103</a>	13500267	VG-203Q-05-25-M8	<a href="#">244</a>
190305		<a href="#">105</a>	13500011	VG-213R-12-01	<a href="#">233</a>	13500093	VG-PMI-30	<a href="#">103</a>	13500269	VG-213Q-03-10-M8	<a href="#">245</a>
190306		<a href="#">105</a>	13500012	VG-213R-58-01	<a href="#">233</a>	13500100	VG-253K-S-12	<a href="#">237</a>	13500270	VG-221Q-03-10-M10	<a href="#">244</a>
190307		<a href="#">105</a>	13500014	VG-213RN-TOP-12	<a href="#">248</a>	13500101	VG-253K-S-58	<a href="#">237</a>	13500271	VG-221Q-03-10-M8	<a href="#">244</a>
190308		<a href="#">105</a>	13500015	VG-213RN-TOP-20	<a href="#">248</a>	13500102	VG-253MB-S-12	<a href="#">237</a>	13500272	VG-221Q-05-25-M10	<a href="#">244</a>
190309		<a href="#">105</a>	13500016	VG-213RN-TOP-58	<a href="#">248</a>	13500103	VG-253MB-S-58	<a href="#">237</a>	13500273	VG-221Q-05-25-M8	<a href="#">244</a>
190310		<a href="#">105</a>	13500017	VG-213R-TOP-12	<a href="#">248</a>	13500104	VG-254K-S-12	<a href="#">236</a>	13500274	VG-Q-03-10-M10	<a href="#">243</a>
190311		<a href="#">105</a>	13500018	VG-213R-TOP-14	<a href="#">248</a>	13500105	VG-254-MB-S-12	<a href="#">236</a>	13500275	VG-Q-03-10-M8	<a href="#">243</a>
190312		<a href="#">105</a>	13500019	VG-213R-TOP-58	<a href="#">248</a>	13500106	VG-620-12-12M	<a href="#">276</a>	13500276	VG-Q-03-15-M10	<a href="#">243</a>
190313		<a href="#">105</a>	13500020	VG-213T-12-01	<a href="#">232</a>	13500107	VG-620-12-16M	<a href="#">276</a>	13500277	VG-Q-03-15-M8	<a href="#">243</a>
190314		<a href="#">105</a>	13500021	VG-213T-20-01	<a href="#">232</a>	13500108	VG-620-14-14M	<a href="#">276</a>	13500278	VG-Q-05-10-M10	<a href="#">243</a>
190315		<a href="#">105</a>	13500022	VG-213T-58-01	<a href="#">232</a>	13500109	VG-620-15-15M	<a href="#">276</a>	13500279	VG-Q-05-10-M8	<a href="#">243</a>
190316		<a href="#">105</a>	13500023	VG-213TN-12-01	<a href="#">232</a>	13500110	VG-620-16-16M	<a href="#">276</a>	13500280	VG-Q-05-15-M10	<a href="#">243</a>
190317		<a href="#">105</a>	13500024	VG-213TN-58-01	<a href="#">232</a>	13500111	VG-620-18-18M	<a href="#">276</a>	13500281	VG-Q-05-15-M8	<a href="#">243</a>
190318		<a href="#">105</a>	13500025	VG-213T-14-01	<a href="#">232</a>	13500114	VG-619-10M	<a href="#">277</a>	13500282	VG-Q-05-25-M10	<a href="#">243</a>
190319		<a href="#">105</a>	13500026	VG-213TN-14-01	<a href="#">232</a>	13500115	VG-619-12M	<a href="#">277</a>	13500283	VG-Q-05-25-M8	<a href="#">243</a>
190320		<a href="#">105</a>	13500027	VG-213TN-20-01	<a href="#">232</a>	13500116	VG-619-14M	<a href="#">277</a>	13500284	VG-QPC-25M	<a href="#">242</a>
190321		<a href="#">105</a>	13500028	VG-213R-14-01	<a href="#">233</a>	13500150	VG-641-K-12	<a href="#">247</a>	13500285	VG-QPC-40M	<a href="#">242</a>
190322		<a href="#">105</a>	13500029	VG-213R-20-01	<a href="#">233</a>	13500151	VG-641-K-14	<a href="#">247</a>	13500286	VG-QPC-450M	<a href="#">242</a>
190323		<a href="#">105</a>	13500030	VG-213-14-02	<a href="#">233</a>	13500152	VG-641-K-20	<a href="#">247</a>	13500287	VG-QPC-65M	<a href="#">242</a>
190324		<a href="#">105</a>	13500031	VG-213-20-02	<a href="#">233</a>	13500153	VG-641-K-58	<a href="#">247</a>	13500288	VG-QSB-25M	<a href="#">242</a>
190325		<a href="#">105</a>	13500032	VG-213RN-12-01	<a href="#">233</a>	13500154	VG-641-N-12	<a href="#">247</a>	13500289	VG-QSB-40M	<a href="#">242</a>
190326		<a href="#">105</a>	13500033	VG-213RN-14-01	<a href="#">233</a>	13500155	VG-641-N-14	<a href="#">247</a>	13500290	VG-QSB-450M	<a href="#">242</a>
190327		<a href="#">105</a>	13500034	VG-213RN-58-01	<a href="#">233</a>	13500156	VG-641-N-20	<a href="#">247</a>	13500291	VG-QSB-65M	<a href="#">242</a>
190328		<a href="#">105</a>	13500035	VG-213RN-20-01	<a href="#">233</a>	13500157	VG-641-N-58	<a href="#">247</a>	13500292	VG-QSC-10M	<a href="#">242</a>
190329		<a href="#">105</a>	13500036	VG-213N-12-02	<a href="#">233</a>	13500158	VG-641-R-12	<a href="#">247</a>	13500293	VG-QSC-12M	<a href="#">242</a>
190330		<a href="#">105</a>	13500037	VG-213N-14-02	<a href="#">233</a>	13500159	VG-641-R-14	<a href="#">247</a>	13500294	VG-QSC-16M	<a href="#">242</a>
190331		<a href="#">105</a>	13500038	VG-213N-58-02	<a href="#">233</a>	13500160	VG-641-R-20	<a href="#">247</a>	13500295	VG-QSC-20M	<a href="#">242</a>
190332		<a href="#">105</a>	13500039	VG-213N-20-02	<a href="#">233</a>	13500161	VG-641-R-58	<a href="#">247</a>	13500296	VG-QSC-25M	<a href="#">242</a>
190333		<a href="#">105</a>	13500040	VG-223-20-01	<a href="#">234</a>	13500162	VG-641T-K-12	<a href="#">246</a>	13500297	VG-QSC-30M	<a href="#">242</a>
190334		<a href="#">105</a>	13500041	VG-223N-14-01	<a href="#">234</a>	13500163	VG-641T-K-14	<a href="#">246</a>	13500298	VG-QSC-40M	<a href="#">242</a>
190335		<a href="#">105</a>	13500042	VG-223N-20-01	<a href="#">234</a>	13500164	VG-641T-K-20	<a href="#">246</a>	13500299	VG-QT-01	<a href="#">242</a>
190336		<a href="#">105</a>	13500043	VG-223RN-14-01	<a href="#">235</a>	13500165	VG-641T-K-58	<a href="#">246</a>	13500300	VG-203Q-03-10-M8	<a href="#">244</a>
190337		<a href="#">105</a>	13500044	VG-223RN-58-01	<a href="#">235</a>	13500166	VG-641T-N-12	<a href="#">246</a>	13500301	VG-203Q-05-10-M10	<a href="#">244</a>
190338		<a href="#">105</a>	13500045	VG-223RN-20-01	<a href="#">235</a>	13500167	VG-641T-N-14	<a href="#">246</a>	13500302	VG-203Q-05-10-M8	<a href="#">244</a>
190360		<a href="#">110</a>	13500046	VG-223N-12-02	<a href="#">234</a>	13500168	VG-641T-N-20	<a href="#">246</a>	13500303	VG-203Q-03-15-M10	<a href="#">244</a>
190360L		<a href="#">110</a>	13500047	VG-223N-14-02	<a href="#">234</a>	13500169	VG-641T-N-58	<a href="#">246</a>	13500304	VG-203Q-05-15-M8	<a href="#">244</a>
190360N		<a href="#">110</a>	13500048	VG-223N-58-02	<a href="#">234</a>	13500170	VG-641T-R-12	<a href="#">246</a>	13500305	VG-213Q-03-10-M10	<a href="#">245</a>
190360NA		<a href="#">110</a>	13500049	VG-223N-20-02	<a href="#">234</a>	13500171	VG-641T-R-14	<a href="#">246</a>	13500306	VG-213Q-05-10-M10	<a href="#">245</a>
190360NAL		<a href="#">110</a>	13500050	VG-223-12-01	<a href="#">234</a>	13500172	VG-641T-R-20	<a href="#">246</a>	13500307	VG-213Q-05-10-M8	<a href="#">245</a>
190360NL		<a href="#">110</a>	13500051	VG-223-12-02	<a href="#">234</a>	13500173	VG-641T-R-58	<a href="#">246</a>	13500308	VG-213Q-03-15-M10	<a href="#">245</a>
190360P		<a href="#">110</a>	13500052	VG-223-14-01	<a href="#">234</a>	13500200	VG-245-H-BK	<a href="#">238</a>	13500309	VG-213Q-03-15-M8	<a href="#">245</a>
190360PL		<a href="#">110</a>	13500053	VG-223-14-02	<a href="#">234</a>	13500201	VG-245-HDW-03-M8	<a href="#">240</a>	13500310	VG-213Q-05-15-M10	<a href="#">245</a>
190360W		<a href="#">110</a>	13500054	VG-223-20-02	<a href="#">234</a>	13500202	VG-245-HDW-02-M8	<a href="#">240</a>	13500311	VG-213Q-05-15-M8	<a href="#">245</a>
190360WL		<a href="#">110</a>	13500055	VG-223-58-01	<a href="#">234</a>	13500203	VG-245-H-GR	<a href="#">238</a>	13500312	VG-213Q-05-25-M10	<a href="#">245</a>
190365		<a href="#">111</a>	13500056	VG-223-58-02	<a href="#">234</a>	13500204	VG-245-J-BK	<a href="#">238</a>	13500313	VG-213Q-05-25-M8	<a href="#">245</a>
190366		<a href="#">111</a>	13500057	VG-223N-12-01	<a href="#">234</a>	13500205	VG-245-K-BK	<a href="#">239</a>	13500314	VG-213TQ-03-10-M10	<a href="#">245</a>

# Index

## LIST OF CODES

Code	Reference	Page	Code	Reference	Page	Code	Reference	Page	Code	Reference	Page
13500315	VG-213TQ-03-10-M8	245	14500072	VG-625-45-3506	281	16500300	VG-687FLEX-37-3M	173	19500043NSR-75M	VG-NG81-SR-75M	107
13500316	VG-213TQ-05-10-M10	245	14500073	VG-625-30-3510	281	16500301	VG-688FLEX-37-3M	173	19500044NSR	VG-NG125-SR-1M28	107
13500317	VG-213TQ-05-10-M8	245	14500074	VG-625-30-5010	281	16500302-15	VG-687BSC-15	174	19500050-3M	VG-P116HD-3M	30
13500318	VG-213TQ-03-15-M10	245	14500075	VG-625-45-5010	281	16500302-25	VG-687BSC-25	174	19500050-6M	VG-P116HD-6M	30
13500319	VG-213TQ-03-15-M8	245	14500076	VG-625-30-3513	281	16500302-50	VG-687BSC-50	174	19500052-150M	VG-P14BC-150M	32
13500320	VG-213TQ-05-15-M10	245	14500077	VG-625-30-5013	281	19500001-30M	VF-CR-38100-30M	66	19500052-30M	VG-P14BC-30M	32
13500321	VG-213TQ-05-15-M8	245	14500078	VG-625-45-3513	281	19500002-30M	VF-CR-3834-30M	66	19500054-3M	VG-P14HD-3M	33
13500322	VG-213TQ-05-25-M10	245	14500079	VG-625-45-5013	281	19500003-3M	VF-CRP-3M-14M	68	19500054-6M	VG-P14HD-6M	33
13500323	VG-213TQ-05-25-M8	245	14500080	VG-625-30-3516	281	19500004-3M	VF-CRP-3M-16M	68	19500055-30M	VG-P14SBC-30M	32
13500324	VG-210Q-03-10-M10	244	14500081	VG-625-30-5016	281	19500005-3M	VF-CRP-3M-18M	68	19500056-30M	VG-P18BC-30M	30
13500325	VG-210Q-03-10-M8	244	14500082	VG-625-45-3516	281	19500008-3M	VG-SPM-3M	102	19500056NS-30M	VG-P18BC-NS-30M	30
13500326	VG-210Q-05-10-M10	244	14500083	VG-625-45-5016	281	19500008-6M	VG-SPM-6M	102	19500058-30M	VG-P18CC-30M	10
13500327	VG-210Q-05-10-M8	244	14500084	VG-625-30-3519	281	19500009-3M	VG-ABG-3M	108	19500058-3M	VG-P18CC-3M	10
13500328	VG-210Q-03-15-M10	244	14500085	VG-625-45-3519	281	19500009-6M	VG-ABG-6M	108	19500058-6M	VG-P18CC-6M	10
13500329	VG-210Q-05-15-M8	244	14500086	VG-750-10	13	19500011-30M	VG-J100-125T-30M	11	19500062-3M	VG-P18HD-3M	31
13500330	VG-210Q-05-15-M10	244	14500087	VG-750-20	13	19500012-30M	VG-J100-188-30M	11	19500062-6M	VG-P18HD-6M	31
13500331	VG-210Q-05-15-M8	244	14500088	VG-750-30	13	19500014-3M	VG-JEL-078-125-3M	13	19500066-30M	VG-P316BC-30M	31
13500332	VG-210Q-05-25-M10	244	14500089	VF-CRCP-12M	67	19500014-6M	VG-JEL-078-125-6M	13	19500066-3M	VG-P316BC-3M	31
13500333	VG-210Q-05-25-M8	244	14500092	VG-3075Q-T40-M	331	19500015-30M	VG-JS100-125-30M	10	19500066-6M	VG-P316BC-6M	31
13500334	VG-221Q-05-10-M10	244	16500001	VG-686A-30-2M	178	19500015-3M	VG-JS100-125-3M	10	19500067-3M	VG-P316HD-3M	31
13500335	VG-221Q-05-10-M8	244	16500002	VG-686A-30-3M	178	19500015-6M	VG-JS100-125-6M	10	19500067-6M	VG-P316HD-6M	31
13500336	VG-221Q-03-15-M10	244	16500004	VG-686A-76-2M	178	19500016-30M	VG-JSL075-125-30M	12	19500068-30M	VG-P38BC-30M	33
13500337	VG-221Q-03-15-M8	244	16500005	VG-686A-76-3M	178	19500016-6M	VG-JSL075-125-6M	12	19500068-75M	VG-P38BC-75M	33
13500338	VG-221Q-05-15-M10	244	16500006	VG-686MSP-30	178	19500016-6M	VG-JSL075-125-6M	12	19500068NS-75M	VG-P38BC-NS-75M	33
13500339	VG-221Q-05-15-M8	244	16500007	VG-686MSP-76	178	19500016NS-30M	VG-JSL075-125-NS-30M	12	19500069-3M	VG-P38HD-3M	33
13500340	VG-245-J-GR	238	16500020		322	19500017-30M	VG-JSL075-188-30M	13	19500069-6M	VG-P38HD-6M	33
13500341	VG-245-K-GR	239	16500020-SR		322	19500018-30M	VG-JS100-188-30M	11	19500071-30M	VG-P516BC-30M	33
13500342	VG-245-L-GR	239	16500020-SS		322	19500018-3M	VG-JS100-188-3M	11	19500071-6M	VG-P516BC-6M	33
13500343	VG-245-M-GR	239	16500020-SSA		322	19500018-6M	VG-JS100-188-6M	11	19500071-NS-30M	VG-P516BC-NS-30M	33
13500346	VG-022-01M	142	16500021		323	19500020-30M	VG-JS150-125-30M	11	19500073-30M	VG-P7GABC-30M	31
13500392	VG-113SM-08G	139	16500021-SR		323	19500020-3M	VG-JS150-125-3M	11	19500073-3M	VG-P7GABC-3M	31
13500500	VG-011-01-P-M10	135	16500021-SS		323	19500020-6M	VG-JS150-125-6M	11	19500073-6M	VG-P7GABC-6M	31
13500502	VG-011-01-P222-100	135	16500021-SSA		323	19500021-3M	VG-JS150-188-3M	12	19500073NS-3M	VG-P7GABC-NS-3M	31
13500503	VG-011-01-P242-100	135	16500022		324	19500021-6M	VG-JS150-188-6M	12	19500073NS-6M	VG-P7GABC-NS-6M	31
13500505	VG-011-01-P224-100	135	16500022-SR		324	19500022-3M	VG-P824F-3M	113	19500076-3M	VG-P7GAHD-3M	32
14500001	VF-CRA-M	67	16500022-SS		324	19500022-6M	VG-P824F-6M	113	19500076-6M	VG-P7GAHD-6M	32
14500002	VF-CRC-14M	67	16500022-SSA		324	19500023-3M	VG-JS200-125-3M	12	19500076NS-6M	VG-P7GAHD-NS-6M	32
14500003	VF-CRC-16M	67	16500023		322	19500023-6M	VG-JS200-125-6M	12	19500077-3M	VG-PMBG-50-NS-3M	34
14500004	VF-CRC-18M	67	16500023-SR		322	19500024-3M	VG-JS200-188-3M	12	19500078NS-30M	VG-P7GABC-NS-30M	109
14500005	VF-CRCP-14M	67	16500023-SS		322	19500024-6M	VG-JS200-188-6M	12	19500078NSD-30M	VG-PBG5-NSD-30M	109
14500006	VF-CRCP-16M	67	16500023-SSA		322	19500025-30M	VG-P813-30M	112	19500079NS-30M	VG-PBG7-NS-30M	108
14500007	VF-CRCP-18M	67	16500024		323	19500025-6M	VG-P813-6M	112	19500079NSD-30M	VG-PBG7-NSD-30M	108
14500008	VF-CRC-T	67	16500024-SR		323	19500025-6M	VG-P813-6M	112	19500080-3M	VG-PSBG-50-3M	34
14500009	VF-CRS-100-14M	68	16500024-SS		323	19500026-30M	VG-P813F-30M	112	19500081-75M	VG-PM10BC-75M	33
14500010	VF-CRS-100-16M	68	16500024-SSA		323	19500026-6M	VG-P813F-6M	112	19500082-30M	VG-PM4BC-30M	31
14500011	VF-CRS-100-18M	68	16500025		324	19500026-6M	VG-P813F-6M	112	19500082-75M	VG-PM4BC-75M	31
14500012	VF-CRS-34-14M	68	16500025-SR		324	19500027-3M	VG-P822F-3M	113	19500083-3M	VG-PBWS-125-3M	34
14500013	VF-CRS-34-16M	68	16500025-SS		324	19500027-6M	VG-P822F-6M	113	19500087-3M	VG-SBG-50-3M	34
14500014	VF-CRS-34-18M	68	16500025-SSA		324	19500028-3M	VG-P834F-3M	113	19500093	VG-PMI-25	103
14500050	VG-625-30-3506	281	16500050	VG-687-37-2M	179	19500028-6M	VG-P834F-6M	113	19500108-3M	VG-BWS-125-3M	34
14500051	VG-625-45-3510	281	16500051	VG-687-37-3M	179	19500029-30M	VG-JS3-075-125-30M	10	19500115HT-3M	VG-SSF-HT-3M	95
14500052	VG-625-30-5019	281	16500052	VG-687-83-2M	179	19500031-3M	VG-P820F-3M	113	19500115NS-3M	VG-SSF-NS-3M	95
14500053	VG-625-45-5006	281	16500053	VG-687-83-3M	179	19500031-6M	VG-P820F-6M	113	19500115NS-6M	VG-SSF-NS-6M	95
14500054	VG-625-45-5019	281	16500100	VG-687H-37-2M	176	19500032-3M	VG-P0808-3M	112	19500116-3M	VG-SSFS-3M	95
14500055	VG-627-30-12	282	16500101	VG-687H-37-3M	176	19500033-3M	VG-P611-3M	112	19500116-6M	VG-SSFS-6M	95
14500056	VG-627-45-12	282	16500102	VG-687H-83-M2	176	19500034-3M	VG-P816F-3M	113	19500123NS-3M	VG-SSLT-1.0X38-NS-3M	100
14500057	VG-627-80-12	282	16500103	VG-687H-83-M3	176	19500034-6M	VG-P816F-6M	113	19500123NS-6M	VG-SSLT-1.0X38-NS-6M	100
14500058	VG-627S-34	282	16500150	VG-687LDB-M8	174	19500035-3M	VG-MBG-50-NS-3M	34	19500129NS-3M	VG-SSM-NS-3M	94
14500059	VG-628-35-12-12	281	16500151	VG-687MNP-37	179-180	19500036NS-30M	VG-P105R-30M	30-106	19500129NS-6M	VG-SSM-NS-6M	94
14500060	VG-628-35-12-14	281	16500152	VG-687MNP-83	179-180	19500036NS-75M	VG-P105R-75M	30-106	19500130-3M	VG-SSMS-3M	94
14500061	VG-628-35-12-34	281	16500153	VG-687MSP-37	176-177-179	19500036NSR-30M	VG-P105RCL-30M	30-106	19500130-6M	VG-SSMS-6M	94
14500062	VG-628-35-12-38	281	16500154	VG-687MSP-83	176-177	19500036NSR-75M	VG-P105RCL-75M	30-106	19500138-3M	VG-SSMT-3M	96
14500063	VG-628-35-12-58	281	16500155	VG-687SP	174	19500037NSR-30M	VG-NG125-SR-30M	107	19500138-6M	VG-SSMT-6M	96
14500064	VG-628-50-12-12	281	16500200	VG-688H-37-2M	180	19500038NSR-30M	VG-NG91-SR-30M	107	19500138-SD-3M	VG-SSMT-SD-3M	96
14500065	VG-628-50-12-14	281	16500201	VG-688H-37-3M	180	19500039NSR-30M	VG-NG110-SR-30M	107	19500138-SD-6M	VG-SSMT-SD-6M	96
14500066	VG-628-50-12-34	281	16500202	VG-688H-83-2M	180	19500040NSR-30M	VG-NG47-SR-30M	106	19500146-3M	VG-SSRS-3M	94
14500067	VG-628-50-12-38	281	16500203	VG-688H-83-3M	180	19500040NSR-75M	VG-NG47-SR-75M	106	19500146-6M	VG-SSRS-6M	94
14500068	VG-628-50-12-58	281	16500250	VG-688H-37-2M	177	19500041NSR-30M	VG-NG49-SR-75M	106	19500145NS-3M	VG-SSR-NS-3M	94
14500069	VG-629-12-12	282	16500251	VG-688H-83-2M	177	19500041NSR-75M	VG-NG49-SR-30M	106	19500145NS-6M	VG-SSR-NS-6M	94
14500070	VG-629R-12-12	282	16500252	VG-688H-83-2M	177	19500042NSR-30M	VG-NG50-SR-30M	106	19500153N-3M	VG-SST-N-75-3M	97
14500071	VG-625-30-5006	281	16500253	VG-688H-83-3M	177	19500042NSR-75M	VG-NG50-SR-75M	106	19500154N-3M	VG-SST-N-1.00-3M	98

# Index

## LIST OF CODES

Code	Reference	Page	Code	Reference	Page	Code	Reference	Page	Code	Reference	Page
19S00164HT-3M	VG-SST-HT-1.25-3M	98	VF-CR-38100-30M	19S00001-30M	66	VG-213-20-01	13S00004	231	VG-223-14-01	13S00052	234
19S00164N-3M	VG-SST-N-1.25-3M	98	VF-CR-3834-30M	19S00002-30M	66	VG-213-20-02	13S00031	233	VG-223-14-02	13S00053	234
19S00164NS-3M	VG-SST-1.25-NS-3M	98	VF-CRA-M	14S00001	67	VG-213-58-01	13S00005	231	VG-223-20-01	13S00040	234
19S00164NS-6M	VG-SST-1.25-NS-6M	98	VF-CRC-14M	14S00002	67	VG-213-58-02	13S00006	233	VG-223-20-02	13S00054	234
19S00165-3M	VG-SSTS-1.25-3M	98	VF-CRC-16M	14S00003	67	VG-213N-12-01	13S00007	231	VG-223-58-01	13S00055	234
19S00165-6M	VG-SSTS-1.25-6M	98	VF-CRC-18M	14S00004	67	VG-213N-12-02	13S00036	233	VG-223-58-02	13S00056	234
19S00166N-3M	VG-SST-N-1.60-3M	99	VF-CRCP-12M	14S00005	67	VG-213N-14-01	13S00008	231	VG-223F-12-01	13S00080	235
19S00166NS-3M	VG-SST-1.60-NS-3M	99	VF-CRCP-12M	14S00006	67	VG-213N-14-02	13S00037	233	VG-223F-14-01	13S00081	235
19S00166NS-6M	VG-SST-1.60-NS-6M	99	VF-CRCP-12M	14S00007	67	VG-213N-20-01	13S00009	231	VG-223F-20-01	13S00083	235
19S00167NS-3M	VG-SST-2.25-NS-3M	100	VF-CRCP-12M	14S00089	67	VG-213N-20-02	13S00039	233	VG-223F-58-01	13S00082	235
19S00167NS-6M	VG-SST-2.25-NS-6M	100	VF-CRC-T	14S00008	67	VG-213N-58-01	13S00010	231	VG-223FN-12-01	13S00084	235
19S00174-3M	VG-SSWFS-3M	97	VF-CRP-3M-14M	19S00003-3M	68	VG-213N-58-02	13S00038	233	VG-223FN-14-01	13S00085	235
19S00174-6M	VG-SSWFS-6M	97	VF-CRP-3M-16M	19S00004-3M	68	VG-213Q-03-10-M10	13S00305	245	VG-223FN-20-01	13S00087	235
19S00175-3M	VG-SSWFS-1.25-3M	98	VF-CRP-3M-18M	19S00005-3M	68	VG-213Q-03-10-M8	13S00269	245	VG-223FN-58-01	13S00086	235
19S00175-6M	VG-SSWFS-1.25-6M	98	VF-CRS-100-14M	14S00009	68	VG-213Q-03-15-M10	13S00308	245	VG-223N-12-01	13S00057	234
19S00181-3M	VG-SSTG-02-3M	101	VF-CRS-100-16M	14S00010	68	VG-213Q-03-15-M8	13S00309	245	VG-223N-12-02	13S00046	234
19S00181-6M	VG-SSTG-02-6M	101	VF-CRS-100-18M	14S00011	68	VG-213Q-05-10-M10	13S00306	245	VG-223N-14-01	13S00041	234
19S00181-B-3M	VG-SSTG-02-B-3M	101	VF-CRS-34-14M	14S00012	68	VG-213Q-05-10-M8	13S00307	245	VG-223N-14-02	13S00047	234
19S00181-B-6M	VG-SSTG-02-B-6M	101	VF-CRS-34-16M	14S00013	68	VG-213Q-05-15-M10	13S00310	245	VG-223N-20-01	13S00042	234
19S00182NS-3M	VG-SSUT-1.00-S-3M	101	VF-CRS-34-18M	14S00014	68	VG-213Q-05-15-M8	13S00311	245	VG-223N-20-02	13S00049	234
19S00183NS-6M	VG-SSUT-1.30-S-3M	101	VG-011-01-P222-100	13S00502	135	VG-213Q-05-25-M10	13S00312	245	VG-223N-58-01	13S00058	234
19S00187NS-3M	VG-SSWF-NS-3M	97	VG-011-01-P224-100	13S00505	135	VG-213Q-05-25-M8	13S00313	245	VG-223N-58-02	13S00048	234
19S00187NS-6M	VG-SSWF-NS-6M	97	VG-011-01-P242-100	13S00503	135	VG-213R-12-01	13S00011	233	VG-223R-12-01	13S00059	235
19S00209-3M	VG-344-3M	114	VG-011-01-P-M10	13S00500	135	VG-213R-14-01	13S00028	233	VG-223R-14-01	13S00060	235
19S00209-6M	VG-344-6M	114	VG-012-01	13014	138	VG-213R-20-01	13S00029	233	VG-223R-20-01	13S00061	235
19S00210-3M	VG-219-3M	112	VG-012-SH	130145	138	VG-213R-58-01	13S00012	233	VG-223R-58-01	13S00062	235
19S00210-6M	VG-219-6M	112	VG-012-03	13014L	138	VG-213RN-12-01	13S00032	233	VG-223RN-12-01	13S00064	235
19S00211-3M	VG-A2520-3M	114	VG-012-03-SH	130145L	138	VG-213RN-14-01	13S00033	233	VG-223RN-14-01	13S00043	235
19S00211-6M	VG-A2520-6M	114	VG-018M-01	131004	140	VG-213RN-20-01	13S00035	233	VG-223RN-20-01	13S00045	235
19S00212-3M	VG-A600A-3M	112	VG-018M-02	131005	140	VG-213RN-58-01	13S00034	233	VG-223RN-58-01	13S00044	235
19S00212-6M	VG-A600A-6M	112	VG-018M-03	131006	140	VG-213RN-TOP-12	13S00014	248	VG-223RN-TOP-12	13S00065	248
19S00216-3M	VG-A600-3M	112	VG-018M-04	131007	140	VG-213RN-TOP-14	13S00073	248	VG-223RN-TOP-14	13S00066	248
19S00216-6M	VG-A600-6M	112	VG-022-01M	13S00346	132	VG-213RN-TOP-20	13S00015	248	VG-223RN-TOP-20	13S00067	248
19S00224-3M	VG-P350-3M	114	VG-031-12-35	13S00250	130	VG-213RN-TOP-58	13S00016	248	VG-223RN-TOP-58	13S00068	248
19S00224-6M	VG-P350-6M	114	VG-031-12-50	13S00251	130	VG-213R-TOP-12	13S00017	248	VG-223R-TOP-12	13S00069	248
19S00226-3M	VG-P2520BC-3M	114	VG-031-12-70	13S00252	130	VG-213R-TOP-14	13S00018	248	VG-223R-TOP-14	13S00070	248
19S00226-6M	VG-P2520BC-6M	114	VG-032-12-35	13S00253	145	VG-213R-TOP-20	13S00074	248	VG-223R-TOP-20	13S00071	248
			VG-032-12-50	13S00254	145	VG-213R-TOP-58	13S00019	248	VG-223R-TOP-58	13S00072	248
			VG-1135M-08G	13S00392	139	VG-213T-12-01	13S00020	232	VG-245-H-BK	13S00200	238
			VG-1568M-01	13S00255	34	VG-213T-14-01	13S00025	232	VG-245-HDW-03-M8	13S00201	240
			VG-1568M-02	13S00256	34	VG-213T-20-01	13S00021	232	VG-245-HDW-02-M8	13S00202	240
			VG-1568M-03	13S00257	34	VG-213T-58-01	13S00022	232	VG-245-H-GR	13S00203	238
			VG-1568M-04	13S00258	34	VG-213TN-12-01	13S00023	232	VG-245-J-BK	13S00204	238
			VG-1568M-01	13S00255	174	VG-213TN-14-01	13S00026	232	VG-245-J-GR	13S00340	238
			VG-1568M-02	13S00256	174	VG-213TN-20-01	13S00027	232	VG-245-K-BK	13S00205	239
			VG-1568M-03	13S00257	174	VG-213TN-58-01	13S00024	232	VG-245-K-GR	13S00341	239
			VG-1586M-04	13S00258	174	VG-213TQ-03-10-M10	13S00314	245	VG-245-L-BK	13S00206	239
			VG-203Q-03-10-M10	13S00263	244	VG-213TQ-03-10-M8	13S00315	245	VG-245-L-GR	13S00342	239
			VG-203Q-03-10-M8	13S00300	244	VG-213TQ-03-15-M10	13S00318	245	VG-245-M-BK	13S00207	239
			VG-203Q-03-15-M10	13S00303	244	VG-213TQ-03-15-M8	13S00319	245	VG-245-M-GR	13S00343	239
			VG-203Q-03-15-M8	13S00264	244	VG-213TQ-05-10-M10	13S00316	245	VG-245-WSH-5	13S00262	240
			VG-203Q-05-10-M10	13S00301	244	VG-213TQ-05-10-M8	13S00317	245	VG-253K-S-12	13S00100	237
			VG-203Q-05-10-M8	13S00302	244	VG-213TQ-05-15-M10	13S00320	245	VG-253K-S-58	13S00101	237
			VG-203Q-05-15-M10	13S00265	244	VG-213TQ-05-15-M8	13S00321	245	VG-253MB-S-12	13S00102	237
			VG-203Q-05-15-M8	13S00304	244	VG-213TQ-05-25-M10	13S00322	245	VG-253MB-S-58	13S00103	237
			VG-203Q-05-25-M10	13S00266	244	VG-213TQ-05-25-M8	13S00323	245	VG-254K-S-12	13S00104	236
			VG-203Q-05-25-M8	13S00267	244	VG-221Q-03-10-M10	13S00270	244	VG-254-MB-S-12	13S00105	236
			VG-210Q-03-10-M10	13S00324	244	VG-221Q-03-10-M8	13S00271	244	VG-614-K-12	13S00150	247
			VG-210Q-03-10-M8	13S00325	244	VG-221Q-03-15-M10	13S00336	244	VG-614-K-14	13S00151	247
			VG-210Q-03-15-M10	13S00328	244	VG-221Q-03-15-M8	13S00337	244	VG-614-K-20	13S00152	247
			VG-210Q-03-15-M8	13S00329	244	VG-221Q-05-10-M10	13S00334	244	VG-614-K-58	13S00153	247
			VG-210Q-05-10-M10	13S00326	244	VG-221Q-05-10-M8	13S00335	244	VG-614-N-12	13S00154	247
			VG-210Q-05-10-M8	13S00327	244	VG-221Q-05-15-M10	13S00338	244	VG-614-N-14	13S00155	247
			VG-210Q-05-15-M10	13S00330	244	VG-221Q-05-15-M8	13S00339	244	VG-614-N-20	13S00156	247
			VG-210Q-05-15-M8	13S00331	244	VG-221Q-05-25-M10	13S00272	244	VG-614-N-58	13S00157	247
			VG-210Q-05-25-M10	13S00332	244	VG-221Q-05-25-M8	13S00273	244	VG-614-R-12	13S00158	247
			VG-210Q-05-25-M8	13S00333	244	VG-222JQ-M10	13S00259	160	VG-614-R-14	13S00159	247
			VG-213-12-01	13S00001	231	VG-222JQ-M8	13S00260	160	VG-614-R-20	13S00160	247
			VG-213-12-02	13S00002	233	VG-222JQ-M8M-M10F	13S00261	160	VG-614-R-58	13S00161	247
			VG-213-14-01	13S00003	231	VG-223-12-01	13S00050	234	VG-614T-K-12	13S00162	246
			VG-213-14-02	13S00030	233	VG-223-12-02	13S00051	234	VG-614T-K-14	13S00163	246

# Index

## LIST OF CODES

Code	Reference	Page	Code	Reference	Page	Code	Reference	Page	Code	Reference	Page
VG-614T-K-20	13S00164	<a href="#">246</a>	VG-687H-83-M3	16S00103	<a href="#">176</a>	VG-P0808-3M	19S00032-3M	<a href="#">112</a>	VG-PMI-30	19S00093	<a href="#">103</a>
VG-614T-K-58	13S00165	<a href="#">246</a>	VG-687LDB-M8	16S00150	<a href="#">174</a>	VG-P105R-30M	19S00036NS-30M	<a href="#">30-106</a>	VG-PSBG-50-3M	19S00080-3M	<a href="#">34</a>
VG-614T-N-12	13S00166	<a href="#">246</a>	VG-687MNP-37	16S00151	<a href="#">179-180</a>	VG-P105R-75M	19S00036NS-75M	<a href="#">30-106</a>	VG-Q-03-10-M10	13S00274	<a href="#">243</a>
VG-614T-N-14	13S00167	<a href="#">246</a>	VG-687MNP-83	16S00152	<a href="#">179-180</a>	VG-P105RCL-30M	19S00036NSR-30M	<a href="#">30-106</a>	VG-Q-03-10-M8	13S00275	<a href="#">243</a>
VG-614T-N-20	13S00168	<a href="#">246</a>	VG-687MSP-37	16S00153	<a href="#">176-177-179</a>	VG-P105RCL-75M	19S00036NSR-75M	<a href="#">30-106</a>	VG-Q-03-15-M10	13S00276	<a href="#">243</a>
VG-614T-N-58	13S00169	<a href="#">246</a>	VG-687MSP-83	16S00154	<a href="#">176-177</a>	VG-P116HD-3M	19S00050-3M	<a href="#">30</a>	VG-Q-03-15-M8	13S00277	<a href="#">243</a>
VG-614T-R-12	13S00170	<a href="#">246</a>	VG-687SP	16S00155	<a href="#">174</a>	VG-P116HD-6M	19S00050-6M	<a href="#">30</a>	VG-Q-05-10-M10	13S00278	<a href="#">243</a>
VG-614T-R-14	13S00171	<a href="#">246</a>	VG-688-37-2M	16S00200	<a href="#">180</a>	VG-P14BC-150M	19S00052-150M	<a href="#">32</a>	VG-Q-05-10-M8	13S00279	<a href="#">243</a>
VG-614T-R-20	13S00172	<a href="#">246</a>	VG-688-37-3M	16S00201	<a href="#">180</a>	VG-P14BC-30M	19S00052-30M	<a href="#">32</a>	VG-Q-05-15-M10	13S00280	<a href="#">243</a>
VG-614T-R-58	13S00173	<a href="#">246</a>	VG-688-83-2M	16S00202	<a href="#">180</a>	VG-P14HD-3M	19S00054-3M	<a href="#">33</a>	VG-Q-05-15-M8	13S00281	<a href="#">243</a>
VG-619-10M	13S00114	<a href="#">277</a>	VG-688-83-3M	16S00203	<a href="#">180</a>	VG-P14HD-6M	19S00054-6M	<a href="#">33</a>	VG-Q-05-25-M10	13S00282	<a href="#">243</a>
VG-619-12M	13S00115	<a href="#">277</a>	VG-688FLEX-37-3M	16S00301	<a href="#">173</a>	VG-P14SBC-30M	19S00055-30M	<a href="#">32</a>	VG-Q-05-25-M8	13S00283	<a href="#">243</a>
VG-619-14M	13S00116	<a href="#">177</a>	VG-688H-37-2M	16S00250	<a href="#">177</a>	VG-P18BC-30M	19S00056-30M	<a href="#">30</a>	VG-QPC-25M	13S00284	<a href="#">242</a>
VG-620-12-12M	13S00106	<a href="#">276</a>	VG-688H-37-3M	16S00251	<a href="#">177</a>	VG-P18BC-NS-30M	19S00056NS-30M	<a href="#">30</a>	VG-QPC-40M	13S00285	<a href="#">242</a>
VG-620-12-16M	13S00107	<a href="#">276</a>	VG-688H-83-2M	16S00252	<a href="#">177</a>	VG-P-18CC-30M	19S00058-30M	<a href="#">10</a>	VG-QPC-450M	13S00286	<a href="#">242</a>
VG-620-14-14M	13S00108	<a href="#">276</a>	VG-688H-83-3M	16S00253	<a href="#">177</a>	VG-P-18CC-3M	19S00058-3M	<a href="#">10</a>	VG-QPC-65M	13S00287	<a href="#">242</a>
VG-620-15-15M	13S00109	<a href="#">276</a>	VG-750-10	14S00086	<a href="#">13</a>	VG-P-18CC-6M	19S00058-6M	<a href="#">10</a>	VG-QSB-25M	13S00288	<a href="#">242</a>
VG-620-16-16M	13S00110	<a href="#">276</a>	VG-750-20	14S00087	<a href="#">13</a>	VG-P18HD-3M	19S00062-3M	<a href="#">31</a>	VG-QSB-40M	13S00289	<a href="#">242</a>
VG-620-18-18M	13S00111	<a href="#">276</a>	VG-750-30	14S00088	<a href="#">13</a>	VG-P18HD-6M	19S00062-6M	<a href="#">31</a>	VG-QSB-450M	13S00290	<a href="#">242</a>
VG-625-30-3506	14S00050	<a href="#">281</a>	VG-350-3M	19S00209-3M	<a href="#">114</a>	VG-P2520BC-3M	19S00226-3M	<a href="#">114</a>	VG-QSB-65M	13S00291	<a href="#">242</a>
VG-625-30-3510	14S00073	<a href="#">281</a>	VG-350-6M	19S00209-6M	<a href="#">114</a>	VG-P2520BC-6M	19S00226-6M	<a href="#">114</a>	VG-QSC-10M	13S00292	<a href="#">242</a>
VG-625-30-3513	14S00076	<a href="#">281</a>	VG-219-3M	19S00210-3M	<a href="#">112</a>	VG-P316BC-30M	19S00066-30M	<a href="#">31</a>	VG-QSC-12M	13S00293	<a href="#">242</a>
VG-625-30-3516	14S00080	<a href="#">281</a>	VG-219-6M	19S00210-6M	<a href="#">112</a>	VG-P316BC-6M	19S00066-6M	<a href="#">31</a>	VG-QSC-16M	13S00294	<a href="#">242</a>
VG-625-30-3519	14S00084	<a href="#">281</a>	VG-A2520-3M	19S00211-3M	<a href="#">114</a>	VG-P316BC-3M	19S00066-3M	<a href="#">31</a>	VG-QSC-20M	13S00295	<a href="#">242</a>
VG-625-30-5006	14S00071	<a href="#">281</a>	VG-A2520-6M	19S00211-6M	<a href="#">114</a>	VG-P316HD-3M	19S00067-3M	<a href="#">31</a>	VG-QSC-25M	13S00296	<a href="#">242</a>
VG-625-30-5010	14S00074	<a href="#">281</a>	VG-344-3M	19S00224-3M	<a href="#">114</a>	VG-P316HD-6M	19S00067-6M	<a href="#">31</a>	VG-QSC-30M	13S00297	<a href="#">242</a>
VG-625-30-5013	14S00077	<a href="#">281</a>	VG-344-6M	19S00224-6M	<a href="#">114</a>	VG-P350-3M	19S00224-3M	<a href="#">114</a>	VG-QSC-40M	13S00298	<a href="#">242</a>
VG-625-30-5016	14S00081	<a href="#">281</a>	VG-A600-3M	19S00216-3M	<a href="#">112</a>	VG-P350-6M	19S00224-6M	<a href="#">114</a>	VG-QT-01	13S00299	<a href="#">242</a>
VG-625-30-5019	14S00052	<a href="#">281</a>	VG-A600-6M	19S00216-6M	<a href="#">112</a>	VG-P38BC-30M	19S00068-30M	<a href="#">33</a>	VG-R3U-185-50-G	12S00001	<a href="#">50</a>
VG-625-45-3506	14S00072	<a href="#">281</a>	VG-A600A-3M	19S00212-3M	<a href="#">112</a>	VG-P38BC-75M	19S00068-75M	<a href="#">33</a>	VG-R3U-185-60-G	12S00002	<a href="#">50</a>
VG-625-45-3510	14S00051	<a href="#">281</a>	VG-A600A-6M	19S00212-6M	<a href="#">112</a>	VG-P38BC-NS-75M	19S00068NS-75M	<a href="#">33</a>	VG-R3U-205-50-G	12S00003	<a href="#">50</a>
VG-625-45-3513	14S00078	<a href="#">281</a>	VG-ABG-3M	19S00009-3M	<a href="#">108</a>	VG-P38HD-3M	19S00069-3M	<a href="#">33</a>	VG-R3U-205-60-G	12S00004	<a href="#">50</a>
VG-625-45-3516	14S00082	<a href="#">281</a>	VG-ABG-6M	19S00009-6M	<a href="#">108</a>	VG-P38HD-6M	19S00069-6M	<a href="#">33</a>	VG-RF3U-185-50-G	12S00005	<a href="#">50</a>
VG-625-45-3519	14S00085	<a href="#">281</a>	VG-BWS-125-3M	19S00108-3M	<a href="#">34</a>	VG-P516BC-30M	19S00071-30M	<a href="#">33</a>	VG-RF3U-185-60-G	12S00006	<a href="#">50</a>
VG-625-45-5006	14S00053	<a href="#">281</a>	VG-J100-125T-30M	19S00011-30M	<a href="#">11</a>	VG-P516BC-6M	19S00071-6M	<a href="#">33</a>	VG-RF3U-205-50-G	12S00007	<a href="#">50</a>
VG-625-45-5010	14S00075	<a href="#">281</a>	VG-J100-188-30M	19S00012-30M	<a href="#">11</a>	VG-P516BC-NS-30M	19S00071-NS-30M	<a href="#">33</a>	VG-RF3U-205-60-G	12S00008	<a href="#">50</a>
VG-625-45-5013	14S00079	<a href="#">281</a>	VG-JEL-078-125-3M	19S00014-3M	<a href="#">13</a>	VG-P611-3M	19S00033-3M	<a href="#">112</a>	VG-SBG-50-3M	19S00087-3M	<a href="#">34</a>
VG-625-45-5016	14S00083	<a href="#">281</a>	VG-JEL-078-125-6M	19S00014-6M	<a href="#">13</a>	VG-P7GABC-30M	19S00073-30M	<a href="#">31</a>	VG-SPM-3M	19S00008-3M	<a href="#">102</a>
VG-625-45-5019	14S00054	<a href="#">281</a>	VG-JS100-125-30M	19S00015-30M	<a href="#">10</a>	VG-P7GABC-6M	19S00073-6M	<a href="#">31</a>	VG-SPM-6M	19S00008-6M	<a href="#">102</a>
VG-627-30-12	14S00055	<a href="#">282</a>	VG-JS100-125-6M	19S00015-6M	<a href="#">10</a>	VG-P7GABC-NS-3M	19S00073NS-3M	<a href="#">31</a>	VG-SSF-HT-3M	19S00115HT-3M	<a href="#">95</a>
VG-627-45-12	14S00056	<a href="#">282</a>	VG-JS100-188-30M	19S00018-30M	<a href="#">11</a>	VG-P7GABC-NS-6M	19S00073NS-6M	<a href="#">31</a>	VG-SSF-NS-3M	19S00115NS-3M	<a href="#">95</a>
VG-627-80-12	14S00057	<a href="#">282</a>	VG-JS100-188-6M	19S00018-6M	<a href="#">11</a>	VG-P7GAHD-3M	19S00076-3M	<a href="#">32</a>	VG-SSF-NS-6M	19S00115NS-6M	<a href="#">95</a>
VG-628-35-12-12	14S00059	<a href="#">281</a>	VG-JS100-188-6M	19S00018-6M	<a href="#">11</a>	VG-P7GAHD-6M	19S00076-6M	<a href="#">32</a>	VG-SSF-NS-6M	19S00116NS-6M	<a href="#">95</a>
VG-628-35-12-14	14S00060	<a href="#">281</a>	VG-JS150-125-30M	19S00020-30M	<a href="#">11</a>	VG-P7GAHD-NS-6M	19S00076NS-6M	<a href="#">32</a>	VG-SSF-SD-3M	19028AS	<a href="#">95</a>
VG-628-35-12-34	14S00061	<a href="#">281</a>	VG-JS150-125-6M	19S00020-6M	<a href="#">11</a>	VG-P813-30M	19S00025-30M	<a href="#">112</a>	VG-SSF-SD-6M	19028ASL	<a href="#">95</a>
VG-628-35-12-38	14S00062	<a href="#">281</a>	VG-JS150-188-3M	19S00021-3M	<a href="#">12</a>	VG-P813-3M	19S00025-3M	<a href="#">112</a>	VG-SSLT-1.0X38-NS-3M	19S00123NS-3M	<a href="#">100</a>
VG-628-35-12-58	14S00063	<a href="#">281</a>	VG-JS150-188-6M	19S00021-6M	<a href="#">12</a>	VG-P813-6M	19S00025-6M	<a href="#">112</a>	VG-SSLT-1.0X38-NS-6M	19S00123NS-6M	<a href="#">100</a>
VG-628-50-12-12	14S00064	<a href="#">281</a>	VG-JS150-188-6M	19S00021-6M	<a href="#">12</a>	VG-P813F-30M	19S00026-30M	<a href="#">112</a>	VG-SSM-NS-3M	19S00129NS-3M	<a href="#">94</a>
VG-628-50-12-14	14S00065	<a href="#">281</a>	VG-JS200-125-3M	19S00023-3M	<a href="#">12</a>	VG-P813F-3M	19S00026-3M	<a href="#">112</a>	VG-SSM-NS-6M	19S00129NS-6M	<a href="#">94</a>
VG-628-50-12-34	14S00066	<a href="#">281</a>	VG-JS200-125-6M	19S00023-6M	<a href="#">12</a>	VG-P813F-6M	19S00026-6M	<a href="#">112</a>	VG-SSMS-3M	19S00130-3M	<a href="#">94</a>
VG-628-50-12-38	14S00067	<a href="#">281</a>	VG-JS200-188-3M	19S00024-3M	<a href="#">12</a>	VG-P816F-3M	19S00034-3M	<a href="#">113</a>	VG-SSMS-6M	19S00130-6M	<a href="#">94</a>
VG-628-50-12-58	14S00068	<a href="#">281</a>	VG-JS200-188-6M	19S00024-6M	<a href="#">12</a>	VG-P816F-6M	19S00034-6M	<a href="#">113</a>	VG-SSM-SD-3M	19024AS	<a href="#">94</a>
VG-629-12-12	14S00069	<a href="#">282</a>	VG-JS3-075-125-30M	19S00029-30M	<a href="#">10</a>	VG-P820F-3M	19S00031-3M	<a href="#">113</a>	VG-SSM-SD-6M	19024ASL	<a href="#">94</a>
VG-629R-12-12	14S00070	<a href="#">282</a>	VG-JSL075-125-30M	19S00016-30M	<a href="#">12</a>	VG-P820F-6M	19S00031-6M	<a href="#">113</a>	VG-SSMT-3M	19S00138-3M	<a href="#">96</a>
VG-686A-30-2M	16S00001	<a href="#">178</a>	VG-JSL075-125-6M	19S00016-6M	<a href="#">12</a>	VG-P822F-3M	19S00027-3M	<a href="#">113</a>	VG-SSMT-6M	19S00138-6M	<a href="#">96</a>
VG-686A-30-3M	16S00002	<a href="#">178</a>	VG-JSL075-125-6M	19S00016-6M	<a href="#">12</a>	VG-P822F-6M	19S00027-6M	<a href="#">113</a>	VG-SSMT-SD-3M	19S00138-SD-3M	<a href="#">96</a>
VG-686A-76-2M	16S00004	<a href="#">178</a>	VG-JSL075-125-NS-30M	19S00016NS-30M	<a href="#">12</a>	VG-P824F-3M	19S00022-3M	<a href="#">113</a>	VG-SSMT-SD-6M	19S00138-SD-6M	<a href="#">96</a>
VG-686A-76-3M	16S00005	<a href="#">178</a>	VG-JSL075-188-30M	19S00017-30M	<a href="#">13</a>	VG-P824F-6M	19S00022-6M	<a href="#">113</a>	VG-SSR-NS-3M	19S00145NS-3M	<a href="#">94</a>
VG-686MSP-30	16S00006	<a href="#">178</a>	VG-MBG-50-NS-3M	19S00035-3M	<a href="#">34</a>	VG-P834F-3M	19S00028-3M	<a href="#">113</a>	VG-SSR-NS-6M	19S00145NS-6M	<a href="#">94</a>
VG-686MSP-76	16S00007	<a href="#">178</a>	VG-NG110-SR-30M	19S00039NSR-30M	<a href="#">107</a>	VG-P834F-6M	19S00028-6M	<a href="#">113</a>	VG-SSRS-3M	19S000146-3M	<a href="#">94</a>
VG-687-37-2M	16S00050	<a href="#">179</a>	VG-NG125-SR-1M28	19S00044NSR	<a href="#">107</a>	VG-PBG5-NS-30M	19S00078NS-30M	<a href="#">109</a>	VG-SSRS-6M	19S000146-6M	<a href="#">94</a>
VG-687-37-3M	16S00051	<a href="#">179</a>	VG-NG125-SR-30M	19S00037NSR-30M	<a href="#">107</a>	VG-PBG5-NSD-30M	19S00078NSD-30M	<a href="#">109</a>	VG-SSR-SD-3M	19020AS	<a href="#">94</a>
VG-687-83-2M	16S00052	<a href="#">179</a>	VG-NG47-SR-30M	19S00040NRS-30M	<a href="#">106</a>	VG-PBG7-NS-30M	19S00079NS-30M	<a href="#">108</a>	VG-SSR-SD-6M	19020ASL	<a href="#">94</a>
VG-687-83-3M	16S00053	<a href="#">179</a>	VG-NG47-SR-75M	19S00040NRS-75M	<a href="#">106</a>	VG-PBG7-NSD-30M	19S00079NSD-30M	<a href="#">108</a>	VG-SST-75-SD-3M	19058AS	<a href="#">97</a>
VG-687BSC-15	16S00302-15	<a href="#">174</a>	VG-NG49-SR-30M	19S00041NRS-30M	<a href="#">106</a>	VG-PBWS-125-3M	19S00083-3M	<a href="#">34</a>	VG-SST-75-SD-6M	19058ASL	<a href="#">97</a>
VG-687BSC-25	16S00302-25	<a href="#">174</a>	VG-NG49-SR-75M	19S00041NRS-75M	<a href="#">106</a>	VG-PM10BC-75M	19S00081-75M	<a href="#">33</a>	VG-SST-1.00-SD-3M	19032AS	<a href="#">98</a>
VG-687BSC-50	16S00302-50	<a href="#">174</a>	VG-NG50-SR-30M	19S00042NSR-30M	<a href="#">106</a>	VG-PM4BC-30M	19S00082-30M	<a href="#">31</a>	VG-SST-1.00-SD-6M	19032ASL	<a href="#">98</a>
VG-687FLEX-37-3M	16S00300	<a href="#">173</a>	VG-NG50-SR-75M	19S00042NSR-75M	<a href="#">106</a>	VG-PM4BC-75M	19S00082-75M	<a href="#">31</a>	VG-SST-1.25-NS-3M	19S00164NS-3M	<a href="#">98</a>
VG-687H-37-2M	16S00100	<a href="#">176</a>	VG-NG81-SR-75M	19S00043NSR-75M	<a href="#">107</a>	VG-PMBG-50-NS-3M	19S00077-3				

