



## Section 5

## Interchangable sub-bases and manifolds



# Interchangeable sub-bases and manifolds

Series

MAC 125

MAC 250

MAC 500



MAC 125

MAC 250

MAC 500



**HOW TO ORDER**

INDIVIDUAL BASE

Port size	Side ports
1/4" NPTF	MAC125A-B21A
3/8" NPTF	MAC125A-B31A

MANIFOLD BASE

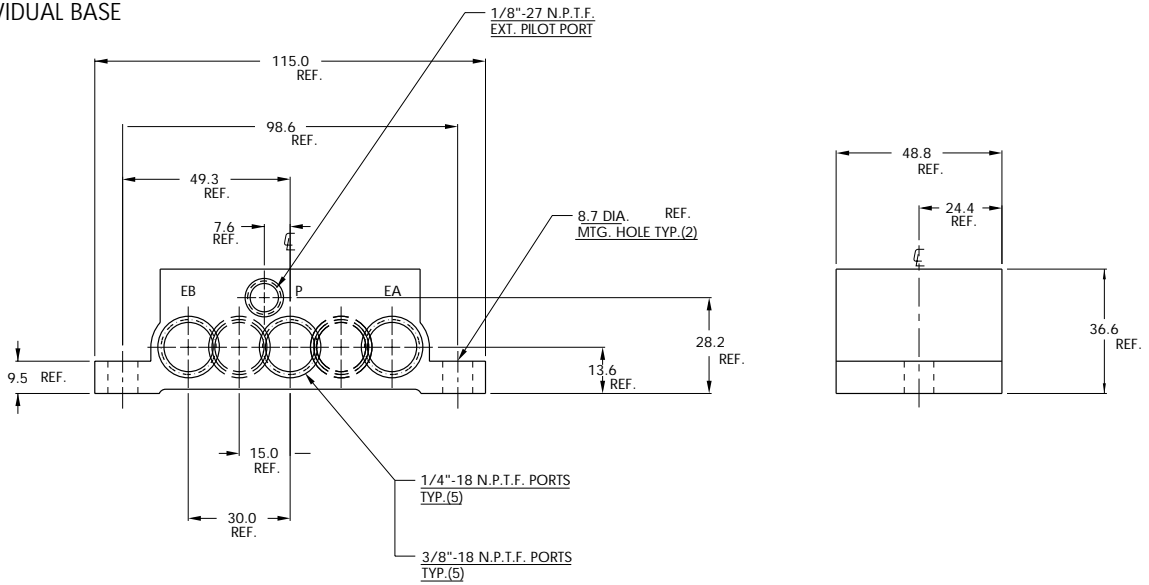
Port size	Bottom cylinder ports	Side & bottom cylinder ports
1/4" NPTF	MAC125A-M21B	MAC125A-M21C
3/8" NPTF	MAC125A-M31B	MAC125A-M31C

Manifold fastening kit : M-12001-01 (3/8" NPTF)

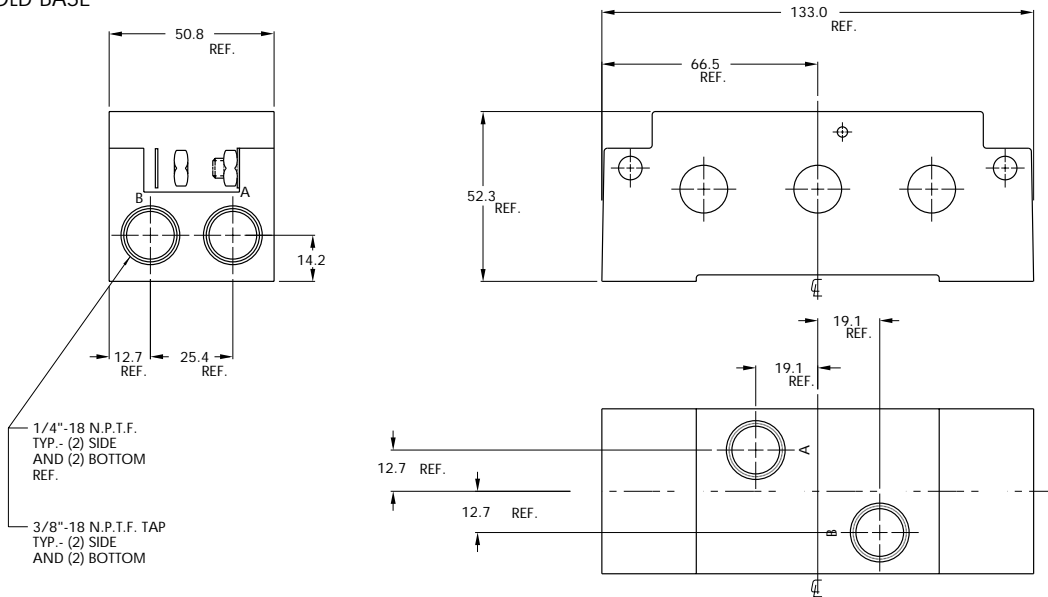
**DIMENSIONS**

Dimensions shown are metric (mm)

**INDIVIDUAL BASE**



**MANIFOLD BASE**





## HOW TO ORDER

### INDIVIDUAL BASE

Port size	Side ports
1/2" NPTF	MAC250A-B21A
3/4" NPTF	MAC250A-B31A
1" NPTF	MAC250A-B41A

### MANIFOLD BASE

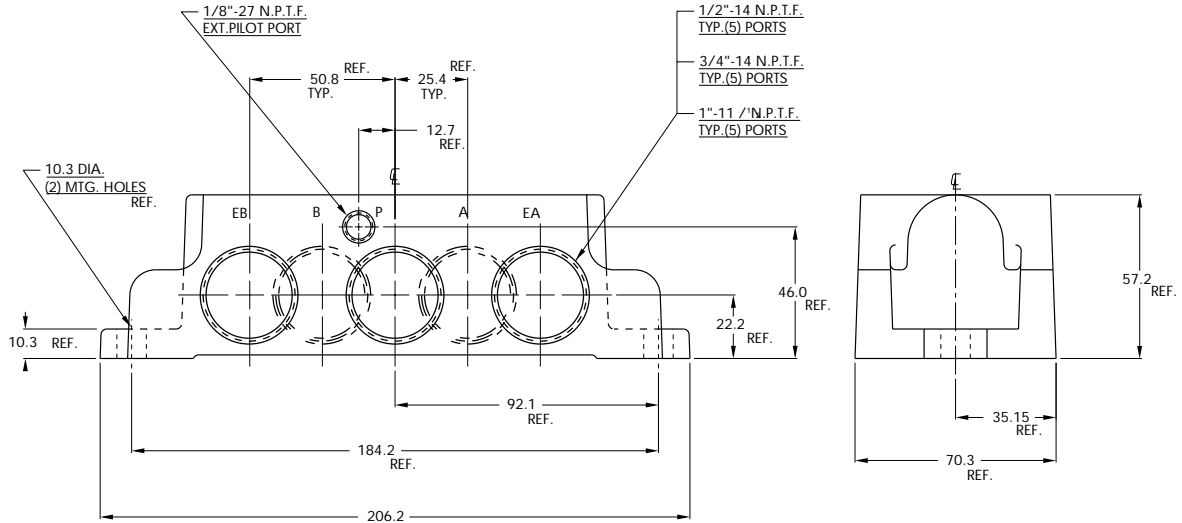
Port size	Bottom cylinder ports	Side & bottom cylinder ports
1/2" NPTF	MAC250A-M21B	MAC250A-M21C
3/4" NPTF	MAC250A-M31B	MAC250A-M31C

Manifold fastening kit : M-25001-01 (only required for manifolds with side & bottom cylinder ports)

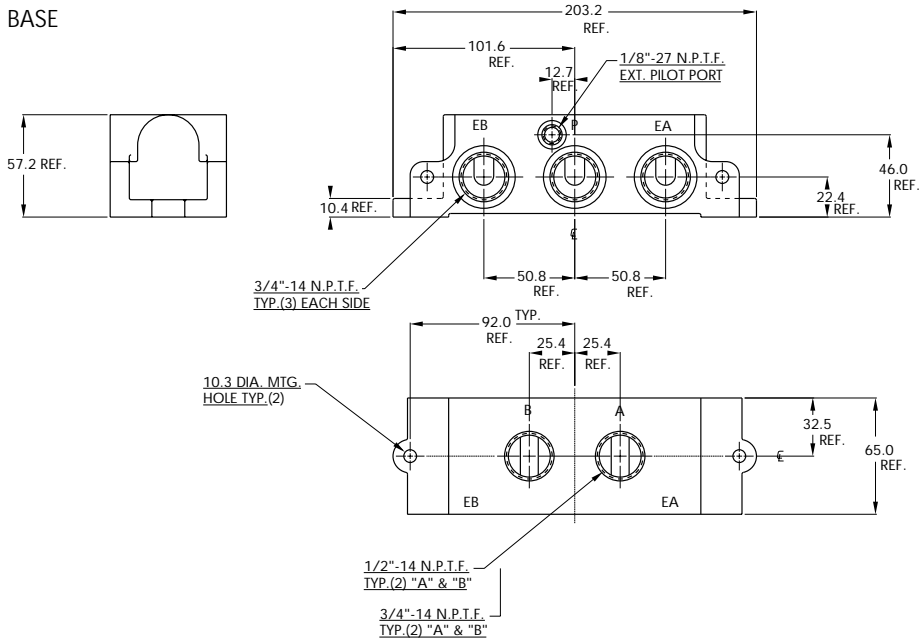
**DIMENSIONS**

Dimensions shown are metric (mm)

**INDIVIDUAL BASE**



**MANIFOLD BASE**





**HOW TO ORDER**

INDIVIDUAL BASE

Port size	Side ports
1" NPTF	MAC500A-B21A
1 1/4" NPTF	MAC500A-B31A

**DIMENSIONS**

Dimensions shown are metric (mm)

INDIVIDUAL BASE

